



# FLEX CABINET SYSTEM

## Assembly Instructions

### Models

GANA04CKMX - Black  
GANF03WFMTS - Hammered Granite/Tread Full Door Silver  
GANF03WDMTS - Hammered Granite/Tread Full Door Silver  
GANF04WFMTS - Hammered Granite/Tread Full Door Silver  
GANF05WFMTS - Hammered Granite/Tread Full Door Silver  
GANF04WCMTS - Hammered Granite/Tread Full Door Silver

### Modèle

GANA04CKMX - Noir  
GANF03WFMTS - Ardoise Martelée/Porte Texturée Argentée  
GANF03WDMTS - Ardoise Martelée/Porte Texturée Argentée  
GANF04WFMTS - Ardoise Martelée/Porte Texturée Argentée  
GANF05WFMTS - Ardoise Martelée/Porte Texturée Argentée  
GANF04WCMTS - Ardoise Martelée/Porte Texturée Argentée

### Modelos

GANA04CKMX - Negro  
GANF03WFMTS - Granito Martillado/Peldaño Puerta Completa Plata  
GANF03WDMTS - Granito Martillado/Peldaño Puerta Completa Plata  
GANF04WFMTS - Granito Martillado/Peldaño Puerta Completa Plata  
GANF05WFMTS - Granito Martillado/Peldaño Puerta Completa Plata  
GANF04WCMTS - Granito Martillado/Peldaño Puerta Completa Plata

# SYSTÈME D'ARMOIRES

## FLEX

### Instructions d'assemblage

# SISTEMA DE GABINETE

## FLEX

### Instrucciones de ensamblaje

## TABLE OF CONTENTS/TABLE DES MATIÈRES/TABLA DE CONTENIDOS

CABINET SAFETY..... 2	SÉCURITÉ DE L'ARMOIRE .....21	SEGURIDAD DEL GABINETE..... 40
FLEX CABINET SYSTEMS .....3	SYSTÈME D'ARMOIRES FLEX .....22	SISTEMAS DE GABINETE FLEX.....41
HARDWARE AND PARTS.....4	QUINCAILLERIE ET PIÈCES.....23	TORNILLERÍA Y PIEZAS .....42
ASSEMBLY INSTRUCTIONS.....5	INSTRUCTIONS	INSTRUCCIONES DE
INSTALL CABINET TO	D'ASSEMBLAGE .....24	ENSAMBLAJE ..... 43
GLADIATOR® GEARTRACK®	INSTALLER L'ARMOIRE SUR	INSTALE EL GABINETE EN
CHANNEL ..... 12	LES PROFILÉS GEARTRACK®	EL CANAL GLADIATOR®
INSTALL CABINET TO	GLADIATOR® .....31	GEARTRACK® .....50
GLADIATOR® GEARWALL®	INSTALLER L'ARMOIRE AUX	INSTALE EL GABINETE EN EL
PANEL..... 16	PANNEAUX GEARWALL®	PANEL GLADIATOR® GEARWALL®
DOOR ADJUSTMENT ..... 18	GLADIATOR® .....35	.....54
DRAWER REMOVAL AND	RÉGLAGE DE LA PORTE .....37	AJUSTE DE LA PUERTA.....56
REPLACEMENT ..... 18	RETRAIT ET RÉINSTALLATION	EXTRACCIÓN Y SUSTITUCIÓN
WEIGHT CAPACITY ..... 19	DU TIROIR.....37	DEL CAJÓN.....56
MAINTENANCE.....20	CAPACITÉ DE CHARGE .....38	CAPACIDAD DE PESO .....57
CARE AND CLEANING .....20	ENTRETIEN .....39	MANTENIMIENTO.....58
FLEX ACCESSORIES.....20	SOINS ET NETTOYAGE .....39	CUIDADO Y LIMPIEZA .....58
WARRANTY .....20	ACCESSOIRES FLEX.....39	ACCESORIOS FLEX .....58
	GARANTIE .....39	GARANTÍA.....58

# CABINET SAFETY

## Your safety and the safety of others are very important.

We have provided many important safety messages in this manual and on your product. Always read and obey all safety messages.



This is the safety alert symbol.

This symbol alerts you to potential hazards that can kill or hurt you and others.

All safety messages will follow the safety alert symbol and either the word "DANGER" or "WARNING."

These words mean:

**⚠ DANGER**

You can be killed or seriously injured if you don't immediately follow instructions.

**⚠ WARNING**

You can be killed or seriously injured if you don't follow instructions.

All safety messages will tell you what the potential hazard is, tell you how to reduce the chance of injury, and tell you what can happen if the instructions are not followed.

To reduce the risk of serious injury, read and follow the safety instructions below before assembling and using this product.

This product is intended for use in the garage.

## ⚠ WARNING

### Excessive Weight Hazard

Use two or more people to move and install cabinet.

Failure to do so can result in back or other injury.

## ⚠ WARNING



### Tip Over Hazard

A child or adult can tip the cabinet and be killed.

Firmly close and lock doors and drawers before moving the cabinet.

Failure to do so can result in serious injury or death.

## IMPORTANT SAFETY INSTRUCTIONS

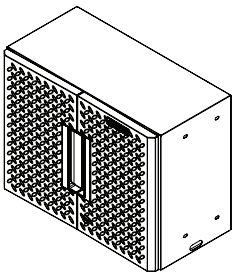
- The product is intended for use in the garage.
- Close and lock the doors and drawer before moving this product.
- It is always recommended to secure the cabinets to the wall with the wall strap and bracket provided.
- DO NOT put anything on the top panel of the wall cabinet or tall cabinet.
- If the base cabinets have casters attached, please remove all items from the cabinet tops before moving the base cabinets.

**SAVE THESE INSTRUCTIONS**

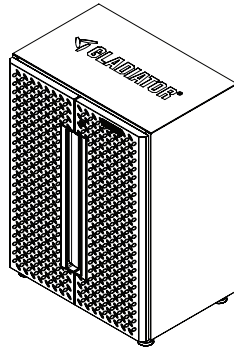


# GLADIATOR® FLEX CABINET SYSTEMS

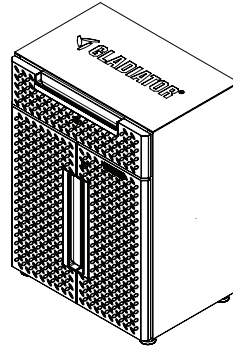
## CABINETS



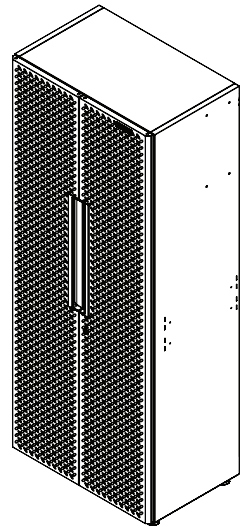
24" Wall Cabinet



24" 2-Door Base Cabinet

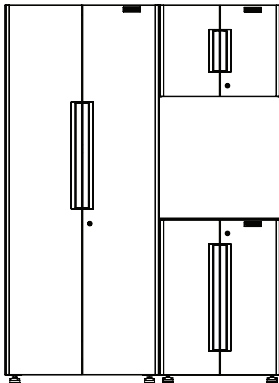


24" 1-Drawer 2-Door Base Cabinet



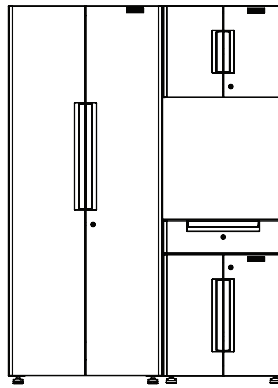
30" Tall Cabinet

## SUITES



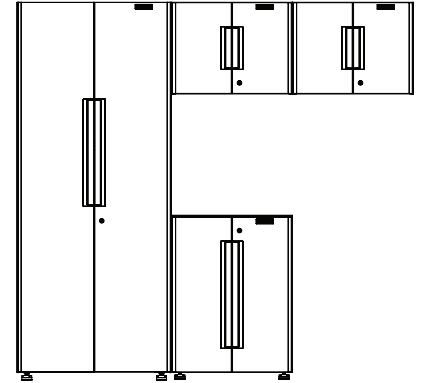
SKU: GANF03WFMTS

Cabinets Included	
Description	Quantity
30" Tall Cabinet	1
24" Wall Cabinet	1
24" 2-Door Base Cabinet	1



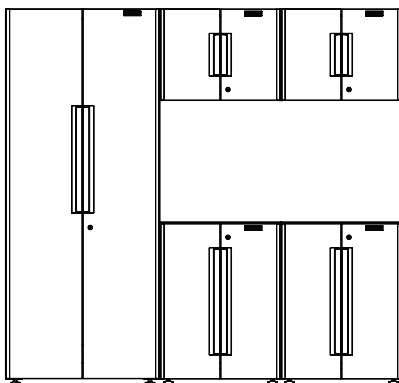
SKU: GANF03WDMTS

Cabinets Included	
Description	Quantity
30" Tall Cabinet	1
24" Wall Cabinet	1
24" 1-Drawer 2-Door Base Cabinet	1



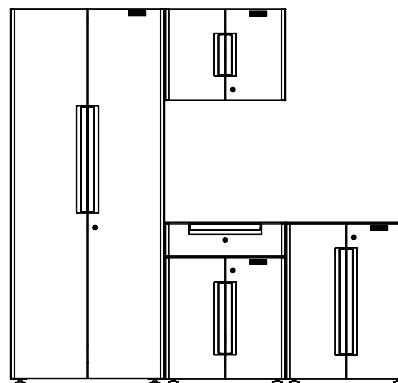
SKU: GANF04WFMTS

Cabinets Included	
Description	Quantity
30" Tall Cabinet	1
24" Wall Cabinet	2
24" 2-Door Base Cabinet	1



SKU: GANF05WFMTS

Cabinets Included	
Description	Quantity
30" Tall Cabinet	1
24" Wall Cabinet	2
24" 2-Door Base Cabinet	2

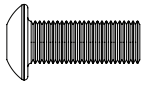


SKU: GANF04WCMTS

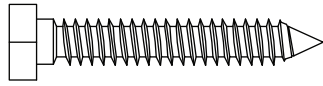
Cabinets Included	
Description	Quantity
30" Tall Cabinet	1
24" Wall Cabinet	1
24" 2-Door Base Cabinet	1
24" 1-Drawer 2-Door Base Cabinet	1

# HARDWARE AND PARTS

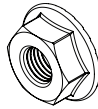
**NOTE:** Hardware not shown to actual size. All hardware is packed in the hardware box, including the closet rod.



F1



F2



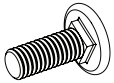
F3



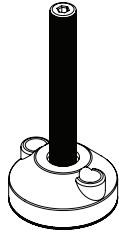
F4



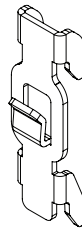
P1



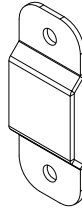
F5



P2



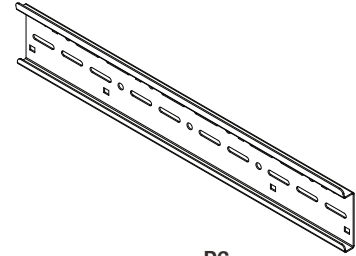
P3



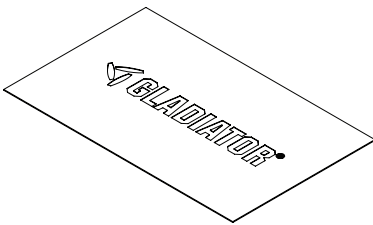
P4



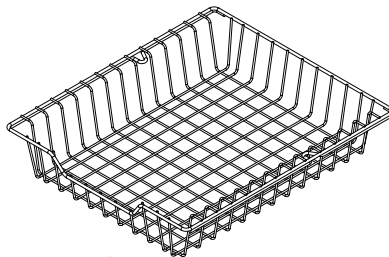
P5



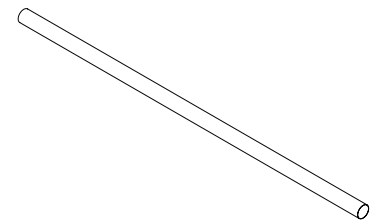
P6



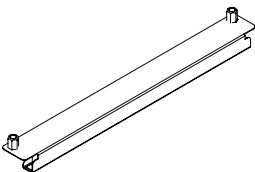
P7



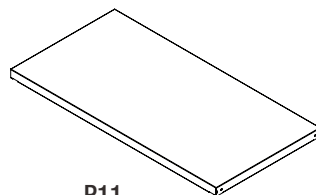
P8



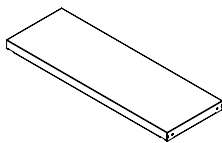
P9



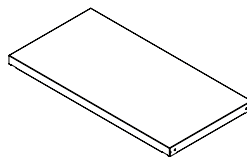
P10



P11



P12



P13



P14

No.	Description
F1	M6 x 16 hex socket head screw
F2	M6 x 40 hex tapping bolt
F3	M6 flange nut
F4	Washer
F5	M6 round head square neck bolt
P1	Wall strap
P2	Adjustable foot
P3	Shelf support
P4	Wall bracket
P5	Grommet
P6	Mounting bracket
P7	Top mat for base cabinet
P8	Basket
P9	Closet rod for tall cabinet
P10	Basket track
P11	Shelf for tall cabinet
P12	Shelf for wall cabinet
P13	Shelf for base cabinet
P14	Key

# ASSEMBLY INSTRUCTIONS

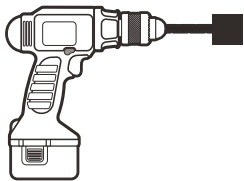
## Tools Required

- Gather the required tools and parts before starting installation.
- Read and follow the instructions included with the required tools.

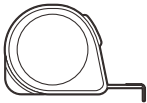
### Tools Needed:



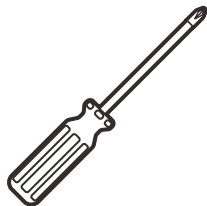
Hex Wrench  
(included)



Drill  
with a 10mm  
Hex Socket Driver  
Bit (not included)



Tape measure  
(not included)

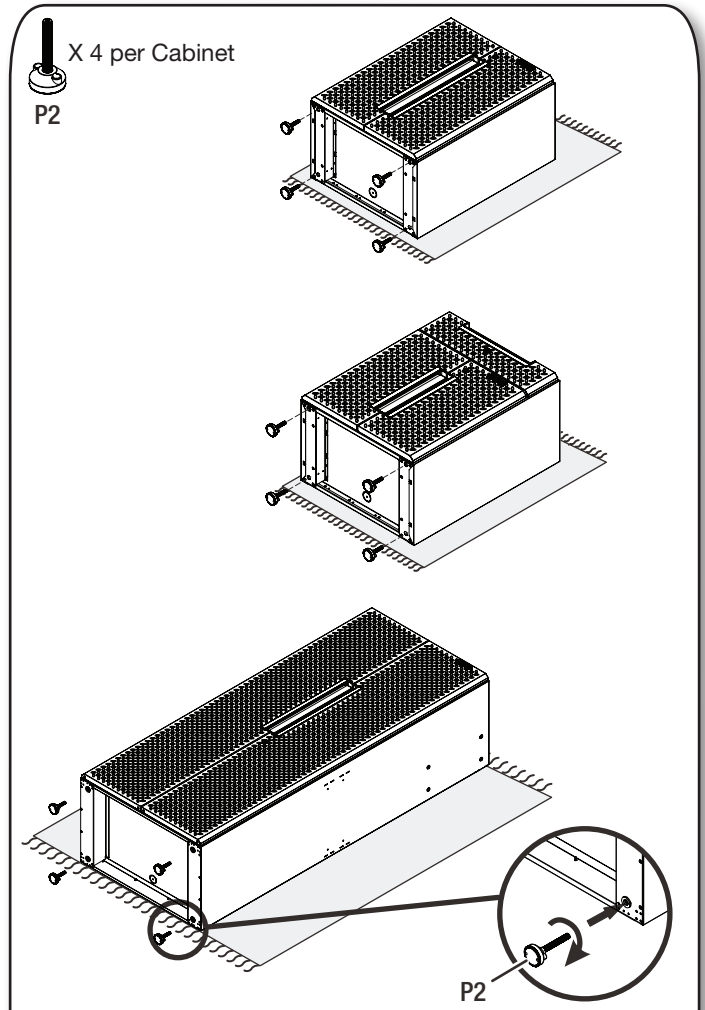


#2 Phillips  
Head  
Screwdriver  
(not  
included)

## 1. Install the Adjustable Feet

- Close and lock the cabinet doors.

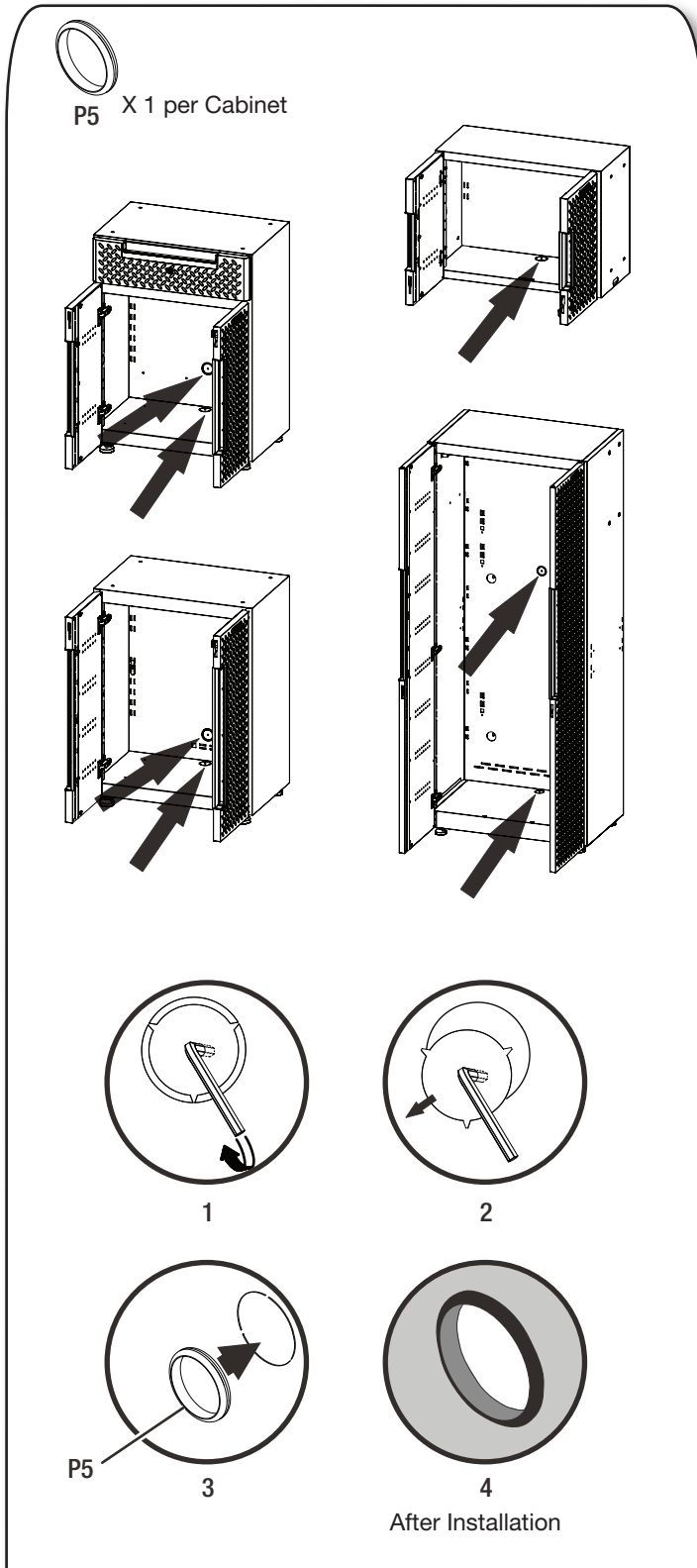
**NOTE:** If you need to open the cabinet doors during adjustable feet assembly open them slowly and do not put any weight on the open doors. This avoids damage to the hinges.



- Two people may be required to complete the assembly. Place the cardboard sheet packaging provided on the ground and lay the cabinets flat on its back (doors facing up).
- Install 4 adjustable feet to the bottom of each base cabinet and tall cabinet as shown

# ASSEMBLY INSTRUCTIONS

## 2. Install the Grommets for Cord Management (Optional)

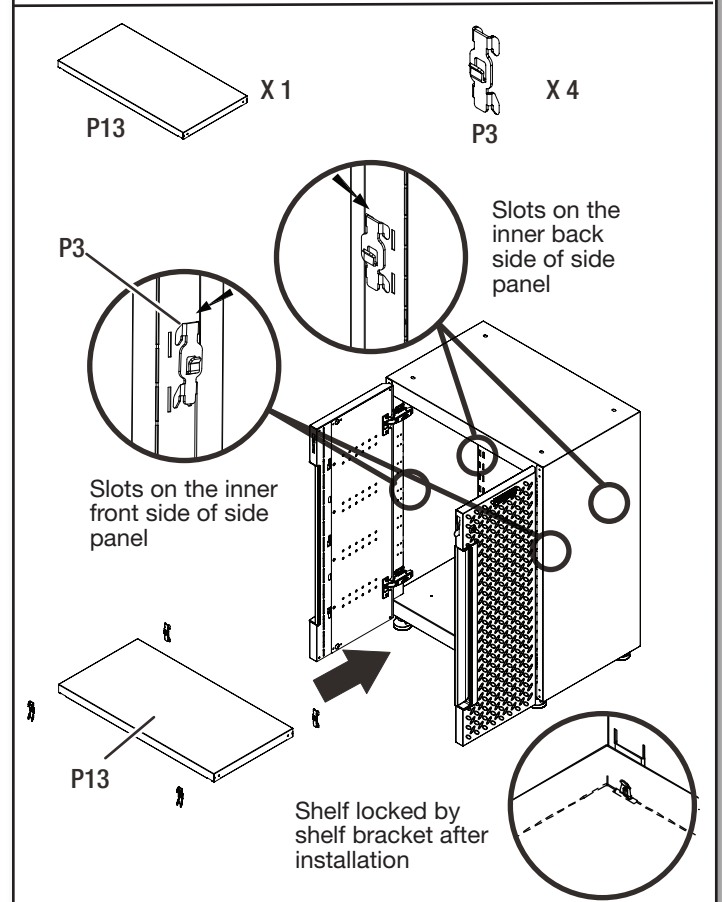


- Use the short side of the hex wrench to punch out the knock-outs of your desired cord access holes.
- Then install the grommets into those holes.

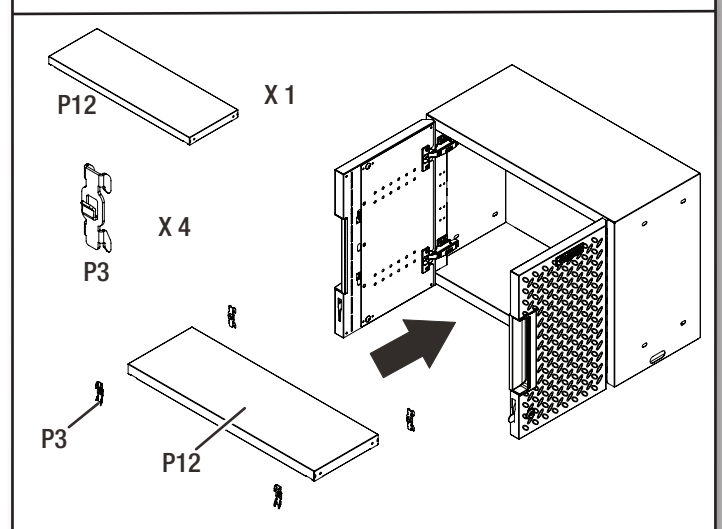
## 3. Install the Shelves

- Insert shelf brackets into the slots at the desired heights and place the shelves over the shelf brackets.
- Make sure all four shelf brackets are installed at the same height.

### 3a. Install the shelf in the 2-door base cabinet.

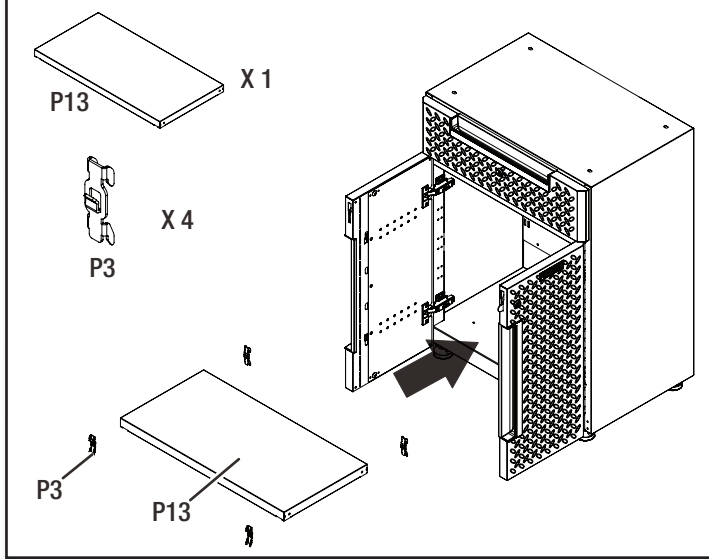


### 3b. Install the shelf in the wall cabinet.



# ASSEMBLY INSTRUCTIONS

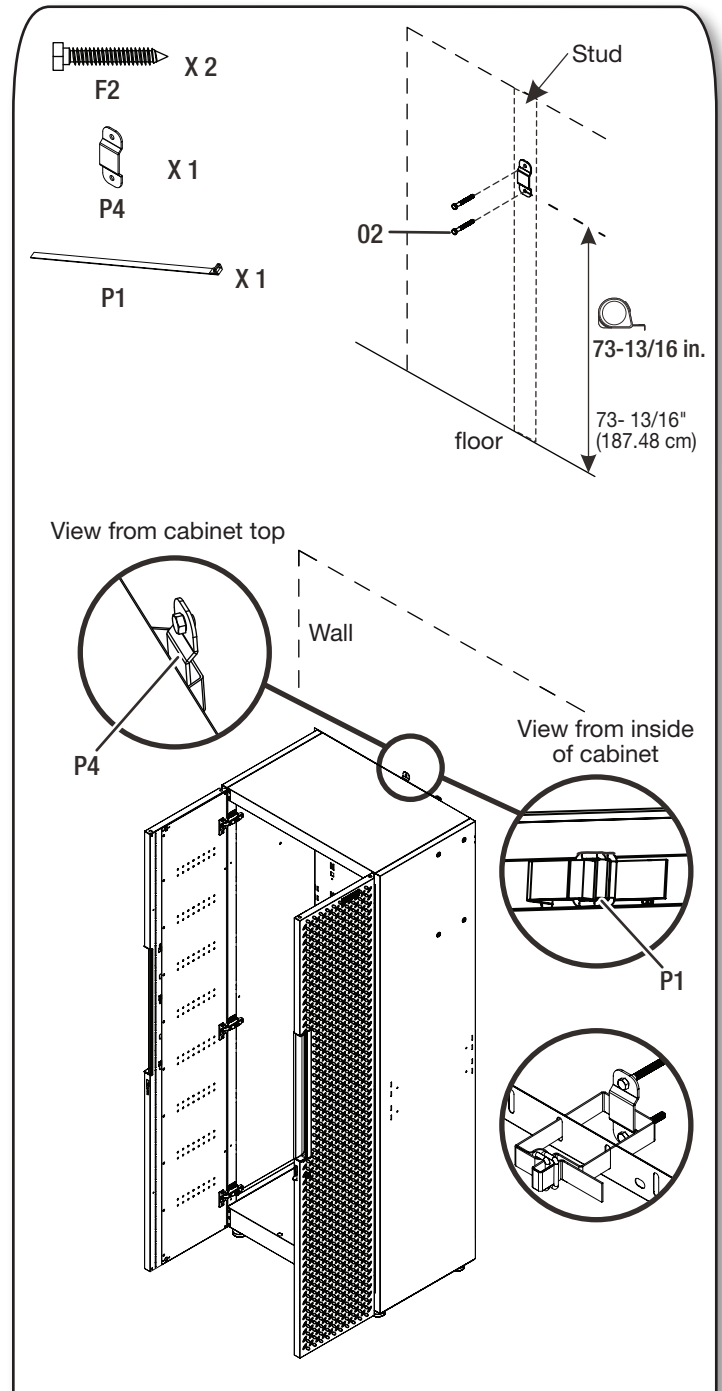
## 3c. Install the shelf in the 1-drawer 2-door base cabinet.



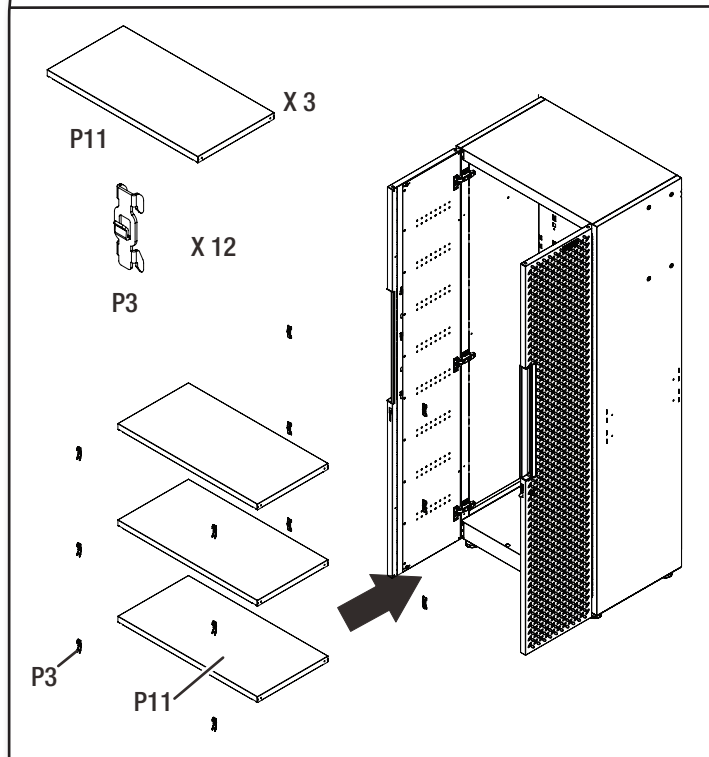
## 4. Connect the Tall Cabinet to the Wall

**NOTE:** This instruction is for attaching the cabinets directly to the wall. For attaching the cabinets to Gladiator® GearTrack® Channels, please refer to page 12.

**IMPORTANT:** The M6 x 40 hex tapping bolts should be drilled into a wall stud.



## 3d. Install the shelves in the tall cabinet.



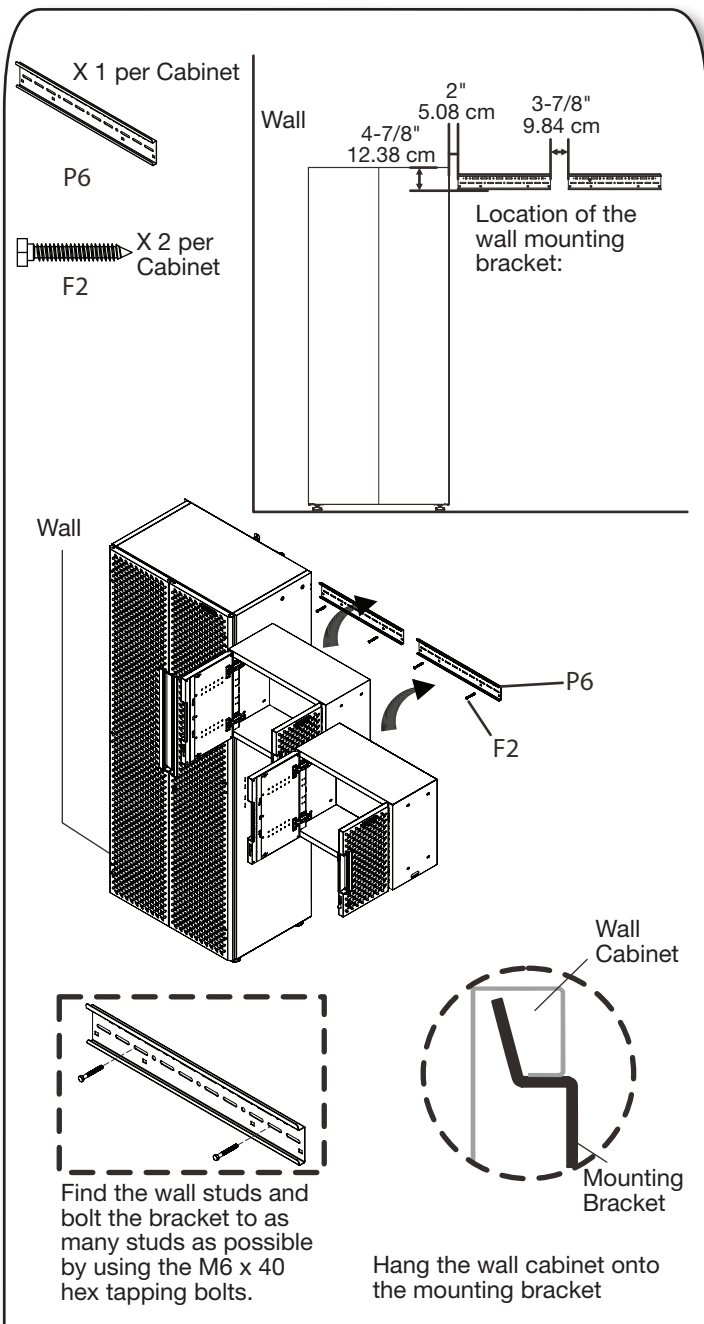
- Bolt the wall bracket with two M6 x 40 hex tapping bolts (F2) to a wall stud. Fasten the tall cabinet by using the wall strap to tie the tall cabinet and wall bracket together.

# ASSEMBLY INSTRUCTIONS

## 5. Connect the Wall Cabinet(s) to the Wall

**NOTE:** This instruction is for attaching the wall cabinet directly to the wall. For attaching the wall cabinet to Gladiator® GearTrack® channels, please refer to page 12.

**IMPORTANT:** The M6 x 40 hex tapping bolts should be drilled into a wall stud.

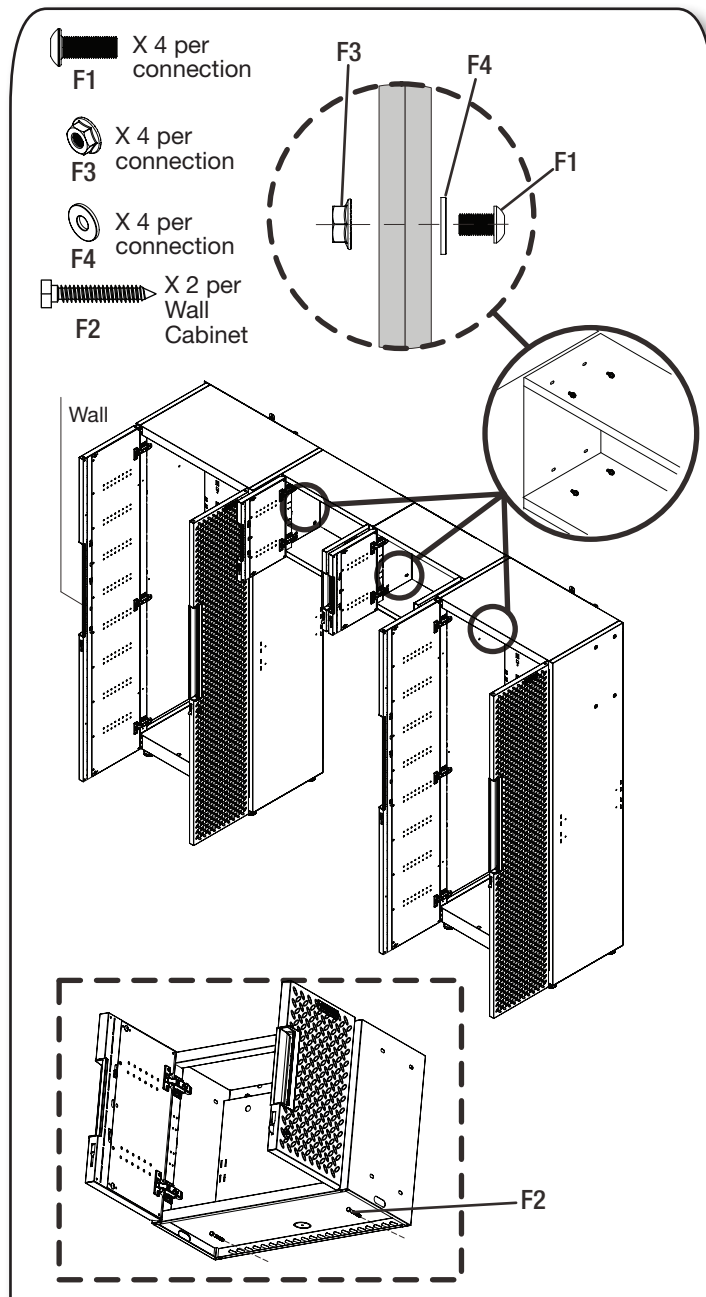


- The distance between the locker's top and bracket's bottom edge should be 4-7/8".
- The distance between the locker and bracket should be 2".
- The distance between brackets should be 3-7/8".

## 6. Connect the Wall Cabinet(s) to the Adjoining Cabinets

**IMPORTANT:** The M6 x 40 hex tapping bolts should be drilled into a wall stud.

**NOTE:** This is an example to show you how to build your system by connecting multiple cabinets (sold separately).



- Connect the wall cabinets as shown and tighten securely with four M6 x 16 hex socket head screws (F1), four nuts (F3) and four washers (F4) for each side.
- Attach each wall cabinet's bottom to the wall studs with two M6 x 40 hex tapping bolts (F2).

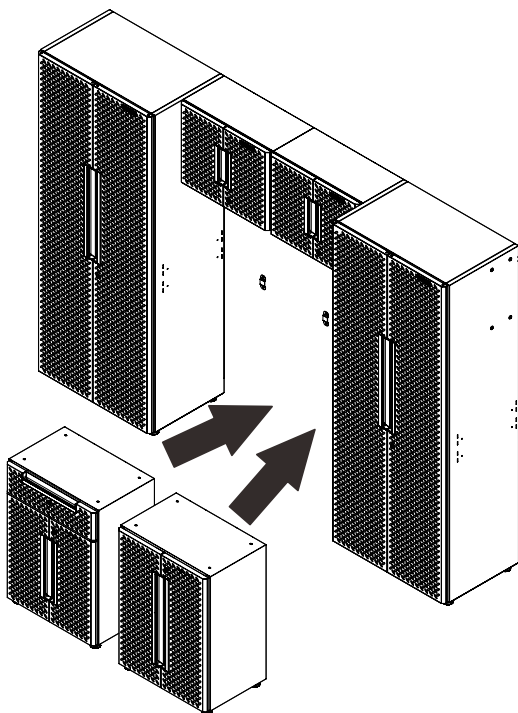
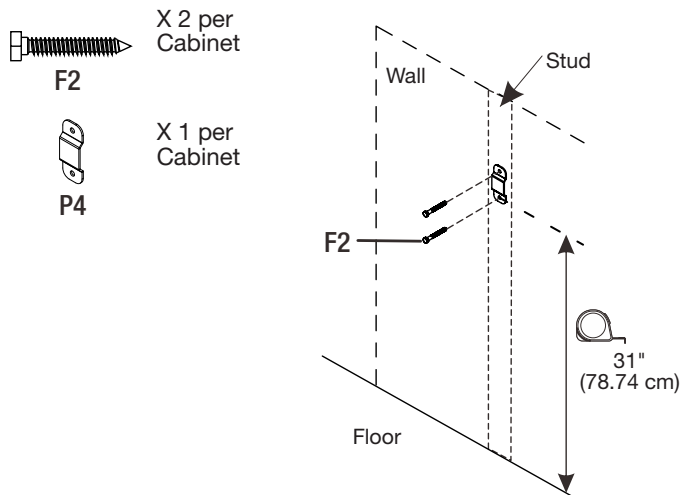


# ASSEMBLY INSTRUCTIONS

## 7. Position the Base Cabinets

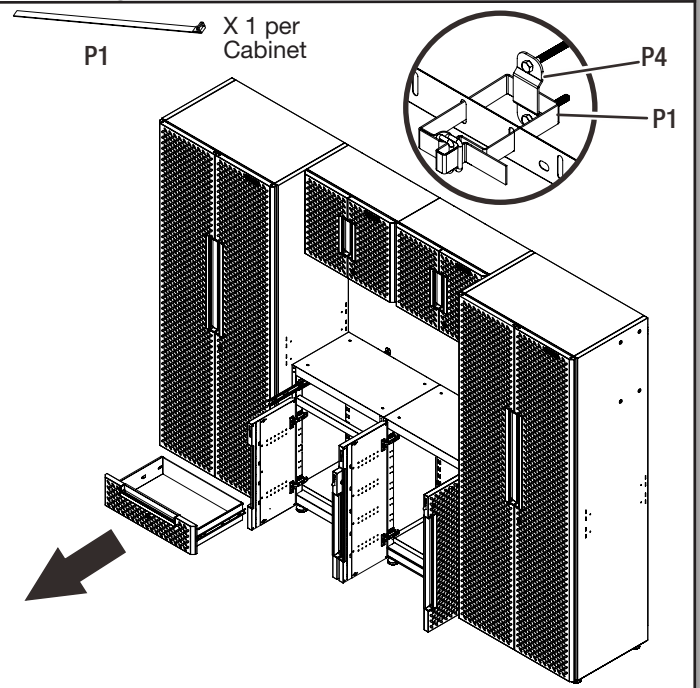
**IMPORTANT:** The M6 x 40 hex tapping bolts should be drilled into a wall stud.

### 7a. Install the wall bracket.



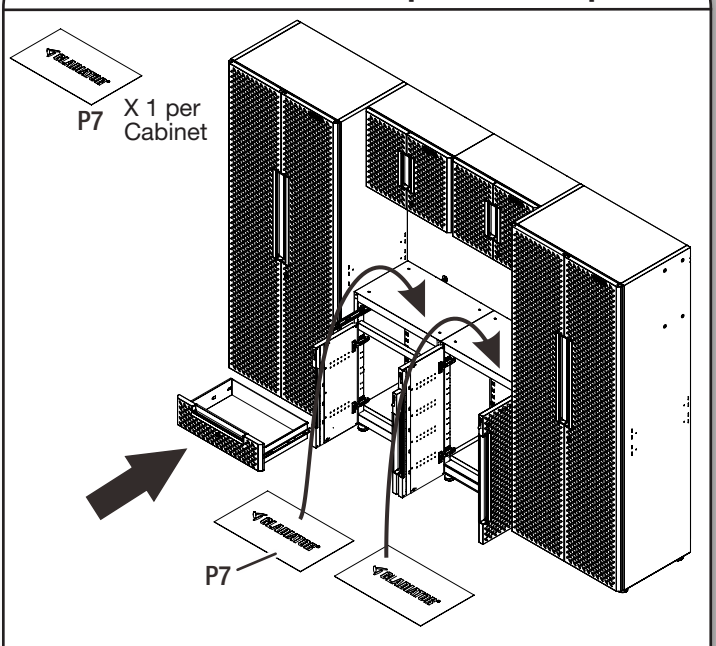
- Bolt the wall bracket for each base cabinet with two M6 x 40 hex tapping bolts (F2) to a wall stud.

### 7b. Tie the base cabinet and wall bracket together.



- Remove the drawer from the 1-drawer 2-door base cabinet. (see instruction on page 16)
- Fasten the base cabinet by using the wall strap to tie the base cabinet and wall bracket together.

### 7c. Install the drawer and place the top mats.

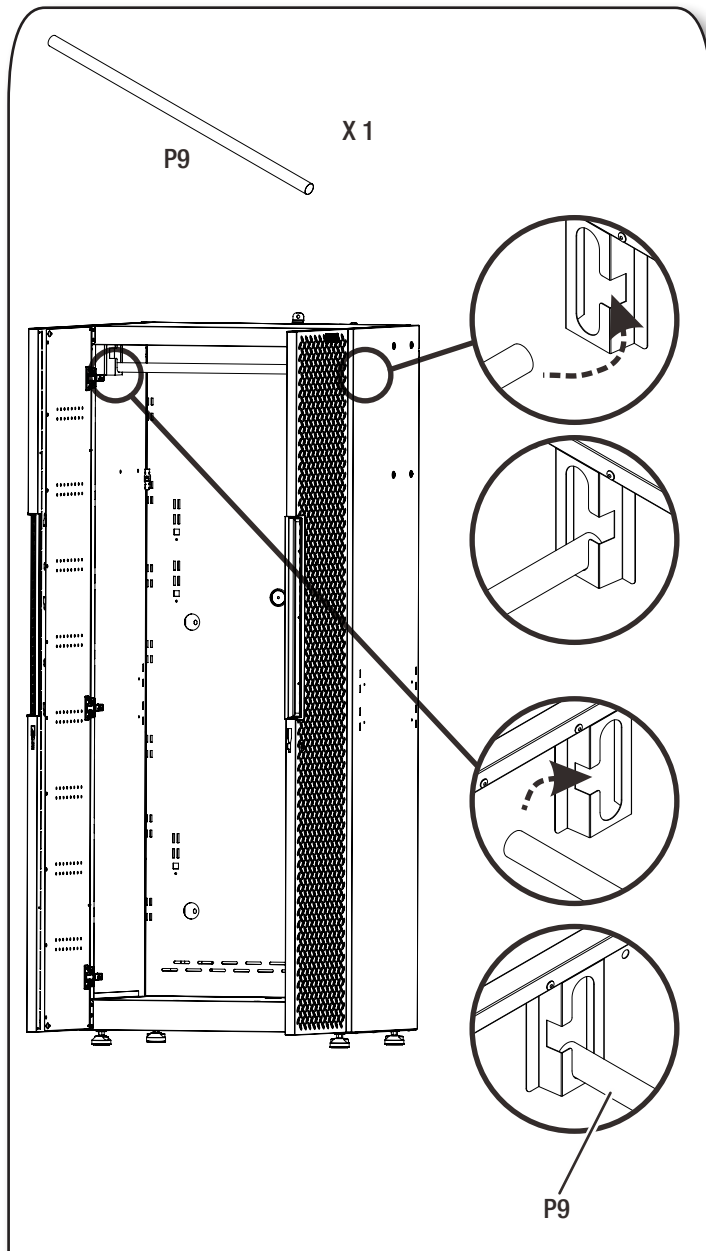


- Install the drawer back into the 1-drawer 2-door base cabinet. (see instruction on page 16)
- Place the top mats on top of the base cabinets.

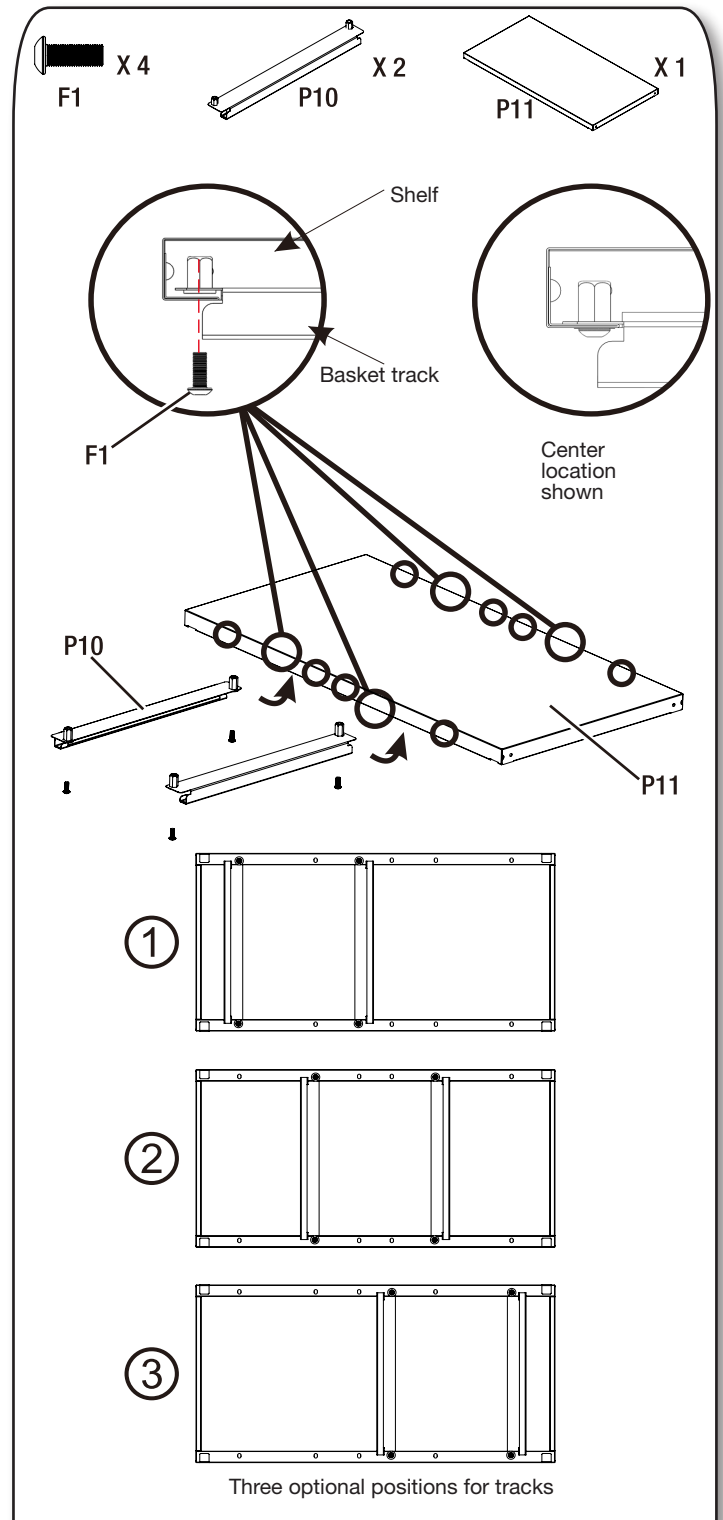


# ASSEMBLY INSTRUCTIONS

## 8. Install the Closet Rod in the Tall Cabinet



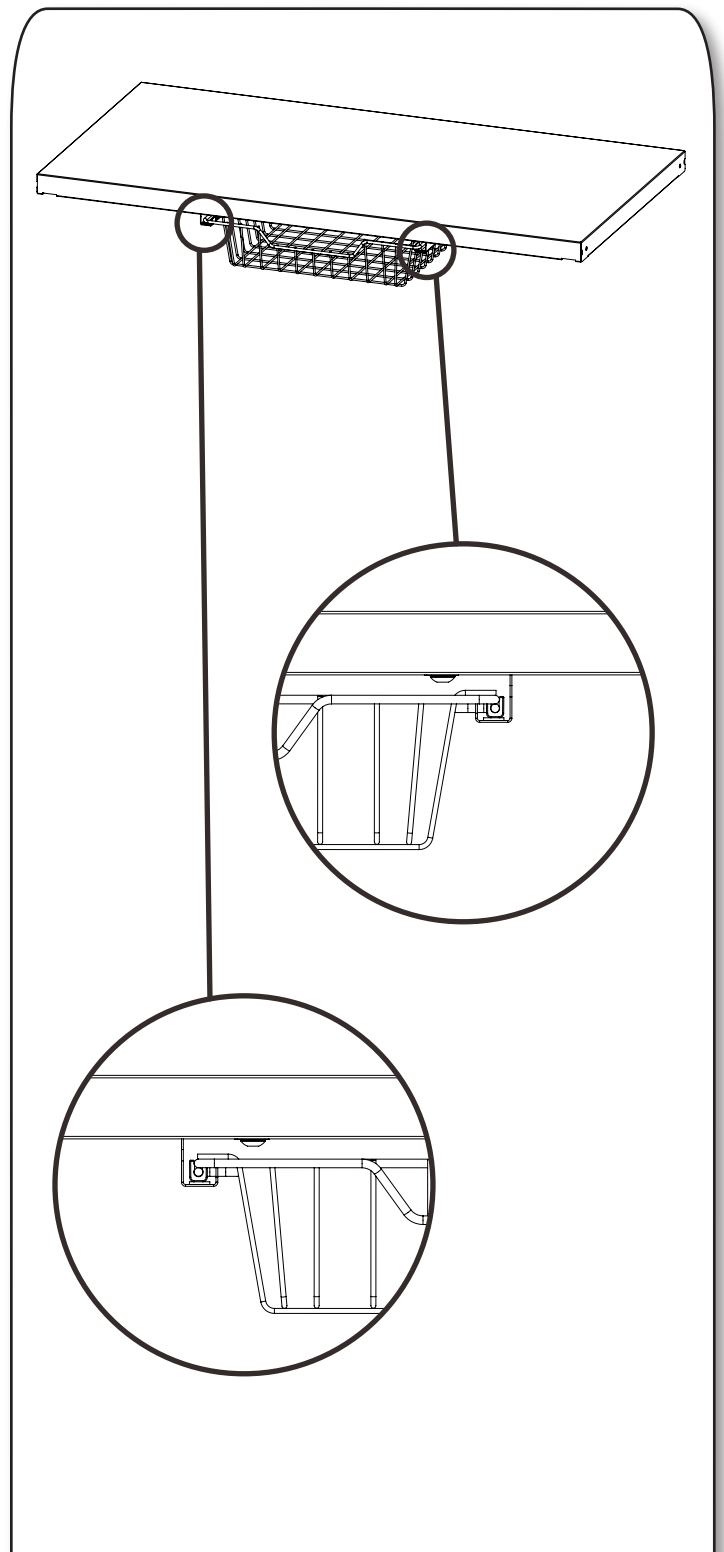
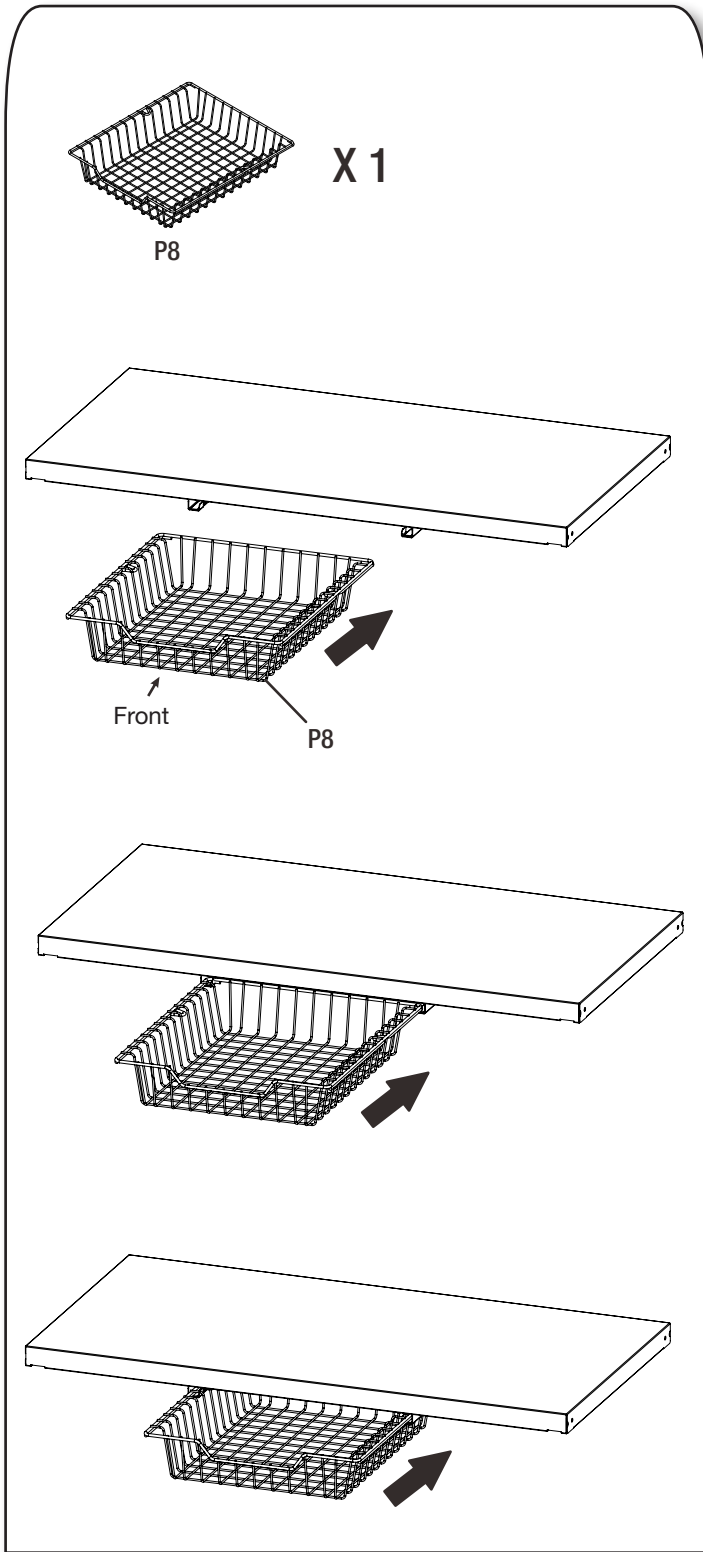
## 9. Install the Basket Tracks in the Tall Cabinet



- Install two tracks to the tall cabinet's shelf bottom with four M6 x 16 hex socket head screws (F1).  
**NOTE:** Each tall cabinet is included with one basket. Additional Flex basket kits are available for purchase to create more storage options. Two baskets can be positioned side by side underneath the tall cabinet's shelf.

# ASSEMBLY INSTRUCTIONS

## 10. Install the Basket



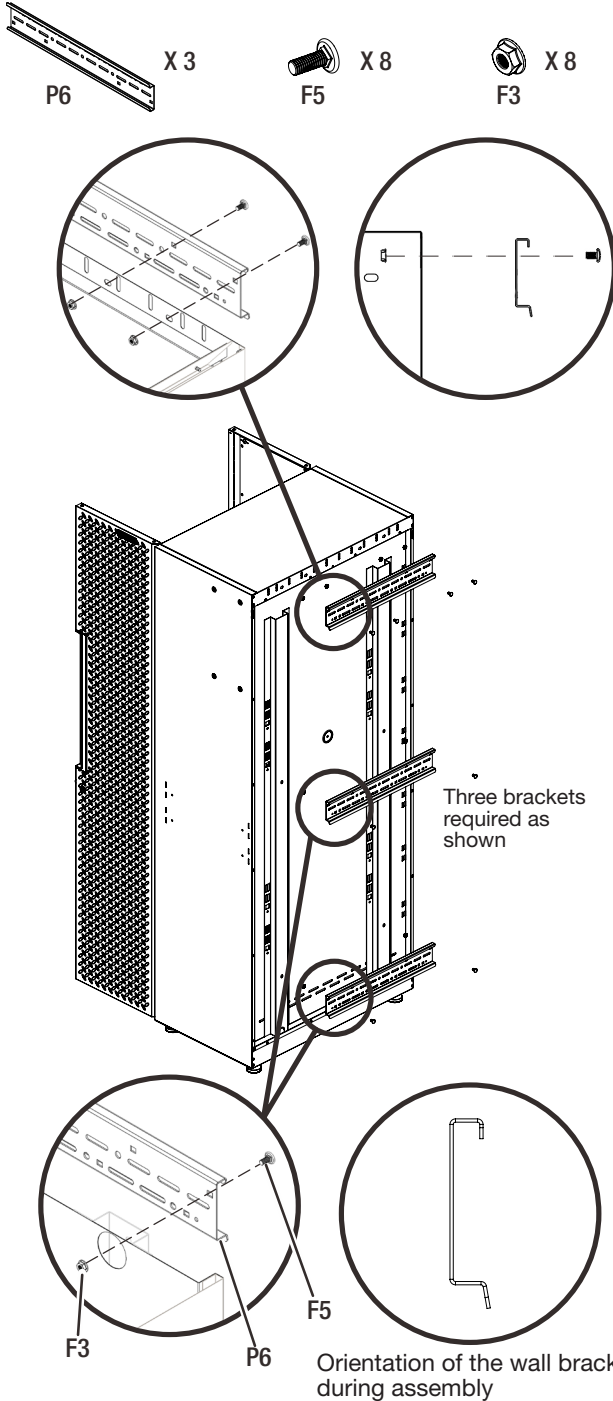
- Attach the basket (P8) to the basket tracks (P10) installed already to the tall cabinet shelf's bottom.

# INSTALL CABINET TO GLADIATOR® GEARTRACK® CHANNEL

## Install the 30" Tall Cabinet

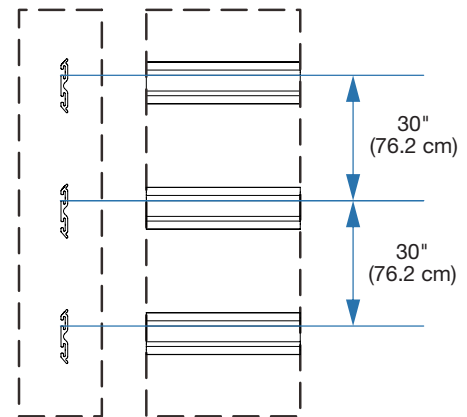
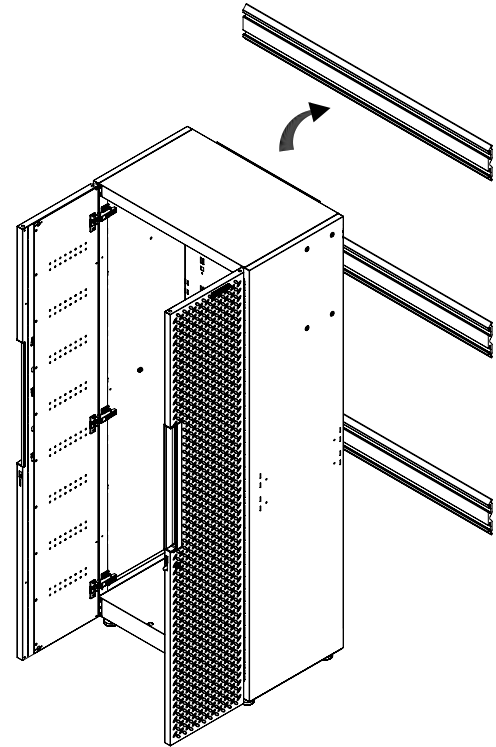
**NOTE:** Gladiator® Flex Brackets are sold individually and Gladiator® GearTrack® channels are sold separately.

### 1. Install the brackets to the tall cabinet.

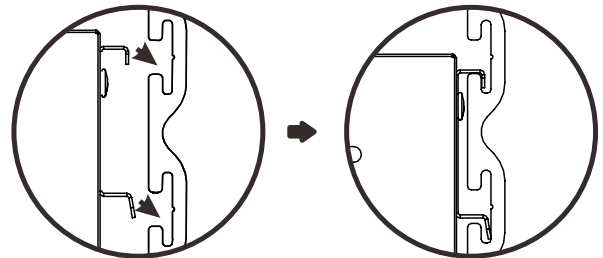


- Attach the top bracket to the tall cabinet's back top with four M6 round head square neck bolts (F5) and four M6 flange nuts (F3).
- Attach the center and bottom brackets to the tall cabinet's back respectively with two M6 round head square neck bolts (F5) and two M6 flange nuts (F3).

### 2. Hang the tall cabinet onto the GearTrack® channels.



The GearTrack® channels should be installed with the spacing as shown.



- Make sure all three brackets are fully engaged in the slots as shown.

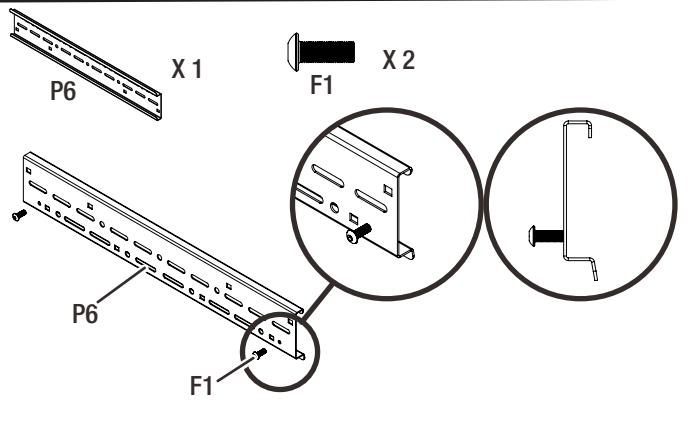
**NOTE:** For installation of the Gladiator® GearTrack® channels, please refer to the manual instructions included with the Gladiator® GearTrack® channels.

# INSTALL CABINET TO GLADIATOR® GEARTRACK® CHANNEL

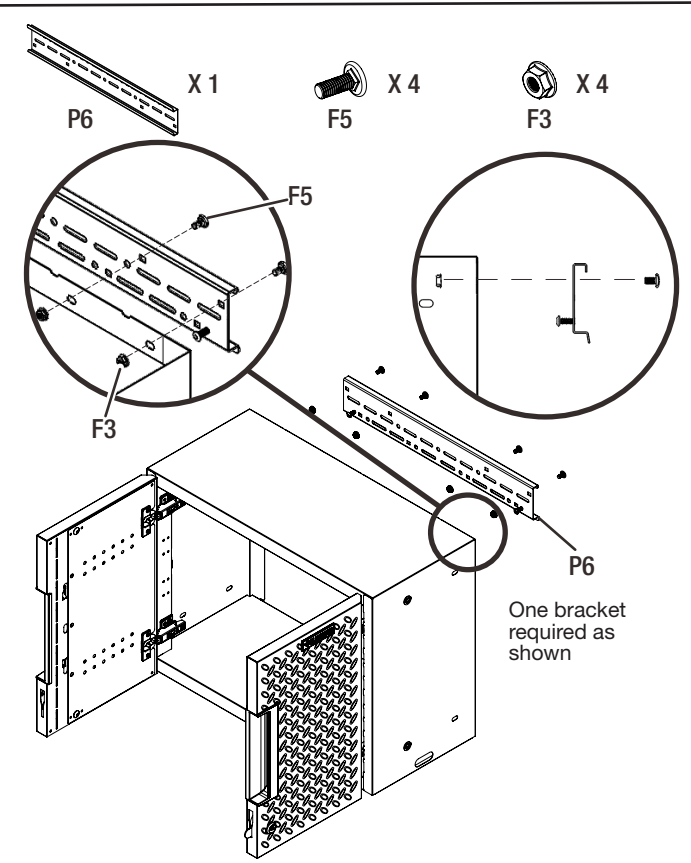
## Install the 24" Wall Cabinet

**NOTE:** Gladiator® GearTrack® channels sold separately.

### 1. Attach two M6 x 16 hex socket head screws to the bracket as shown.

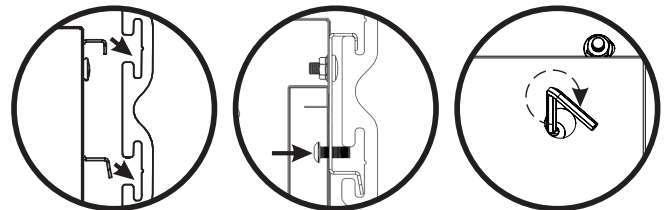
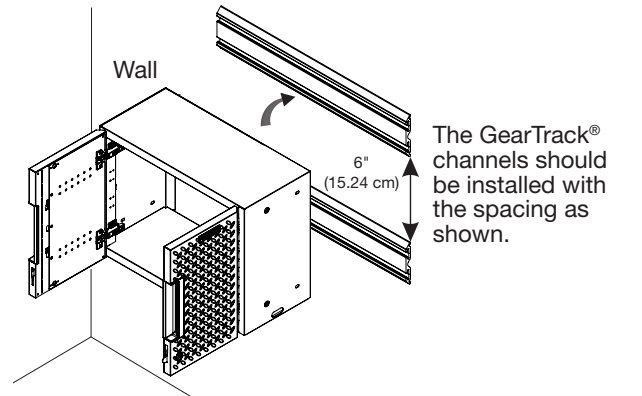


### 2. Attach the bracket to the wall cabinet's back top.

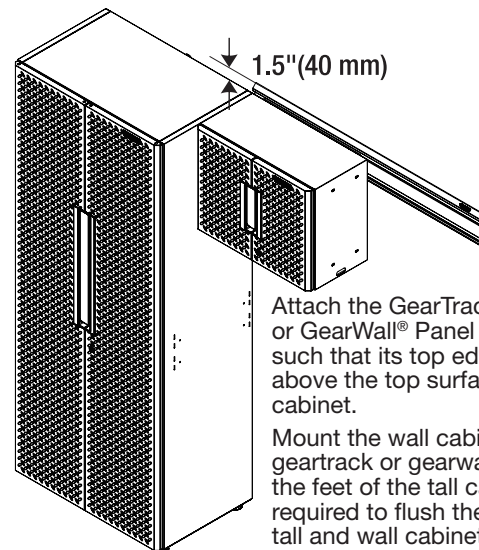


- Attach the bracket to the wall cabinet's back top with four M6 round head square neck bolts (F5) and four M6 flange nuts (F3).

### 3. Hang the wall cabinet onto the GearTrack® channels.



Tighten the M6 x 16 hex socket head screws from the inside of the wall cabinet



- Make sure the bracket is fully engaged in the wall slots as shown. Tighten the pre-attached M6 x 16 hex socket head screws fully into the bracket and make sure they go into the wall slots.

**NOTE:** If installing the wall cabinet on GearTrack® channels, a second channel must be installed 6" (15.24 cm) below the bottom of the supporting channel so the cabinet will hang level.

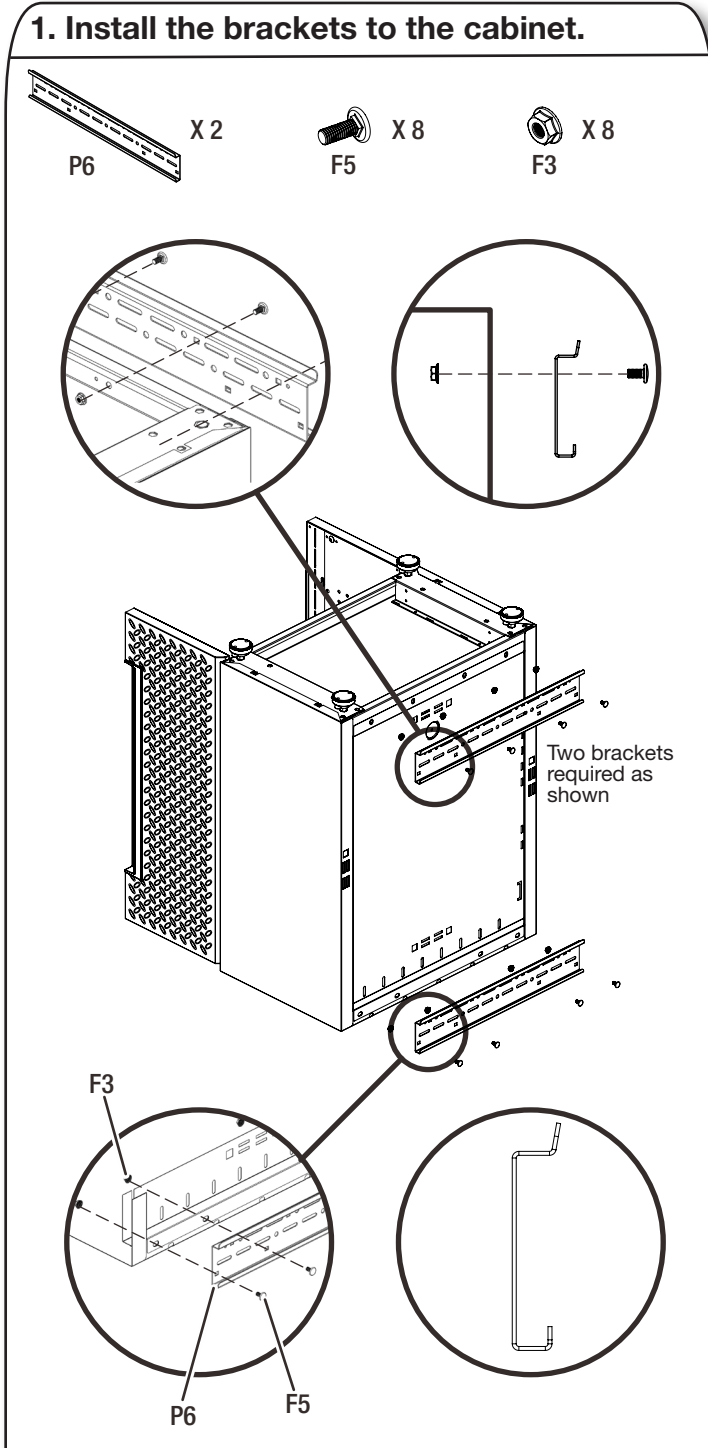
**NOTE:** For installation of the Gladiator® GearTrack® channels, please refer to the manual instructions included with the Gladiator® GearTrack® channels.

# INSTALL CABINET TO GLADIATOR® GEARTRACK® CHANNEL

## Install the 24" 2-door Base Cabinet

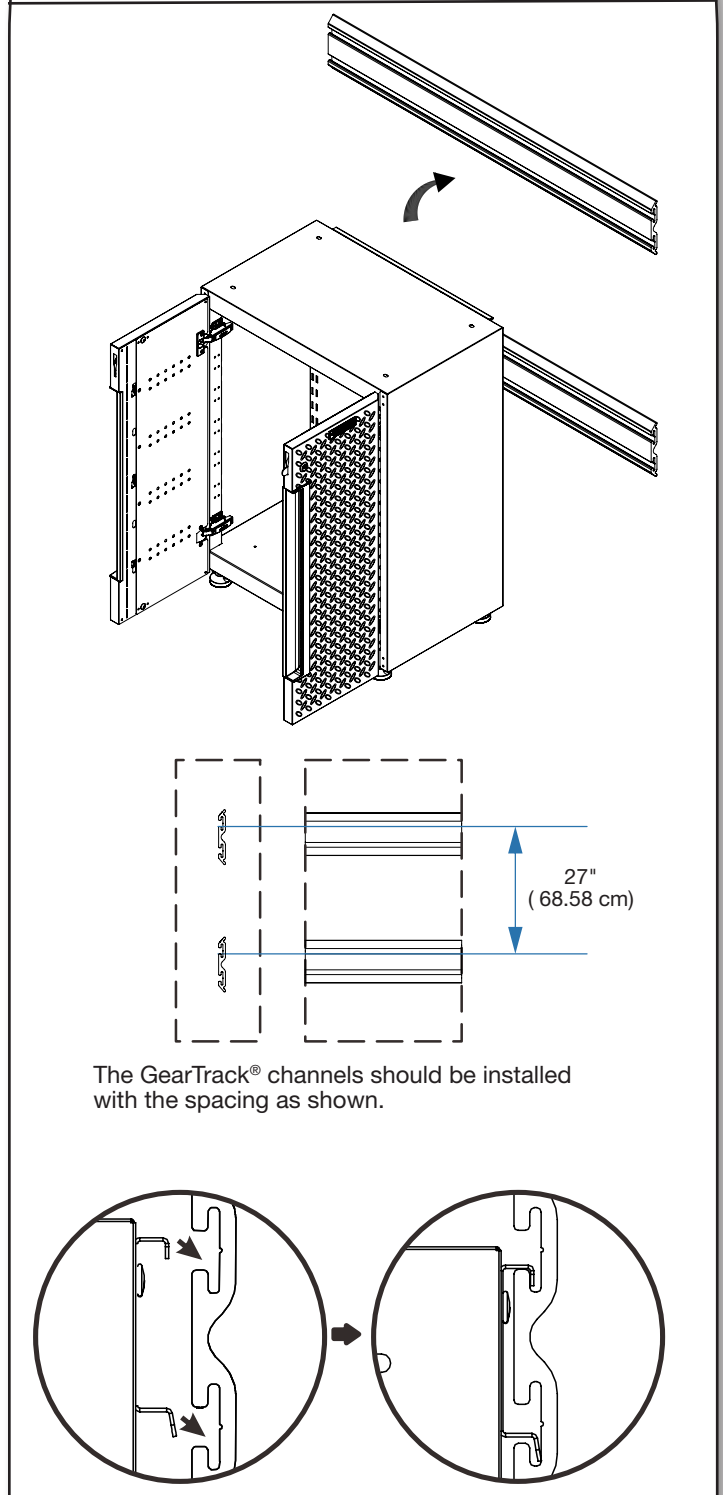
**NOTE:** Gladiator® Flex Brackets are sold individually and Gladiator® GearTrack® channels are sold separately.

### 1. Install the brackets to the cabinet.



- Temporarily turn the base cabinet upside down as shown.
- Attach the brackets to the back of the base cabinet as shown with eight M6 round head square neck bolts (F5) and eight M6 flange nuts (F3).

### 2. Hang the base cabinet onto the GearTrack® channels.



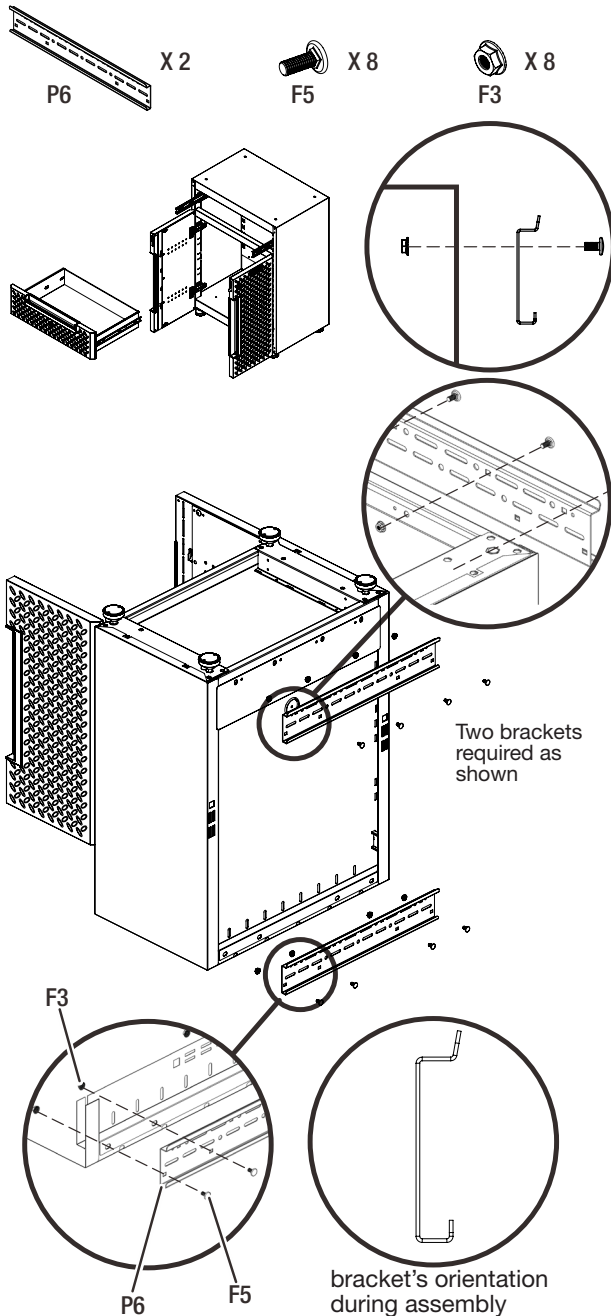
- Hang the base cabinet onto the GearTrack® channels. Make sure the two brackets are fully engaged in the slots as shown.  
**NOTE:** For installation of the Gladiator® GearTrack® channels, please refer to the manual instructions included with the Gladiator® GearTrack® channels.

# INSTALL CABINET TO GLADIATOR® GEARTRACK® CHANNEL

## Install the 24" 1-drawer 2-door Base Cabinet

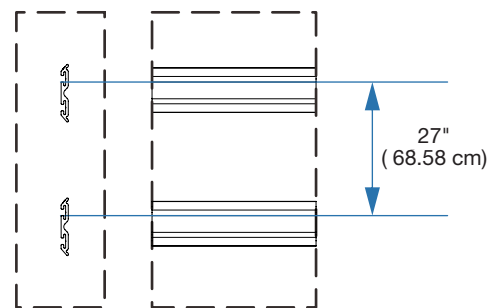
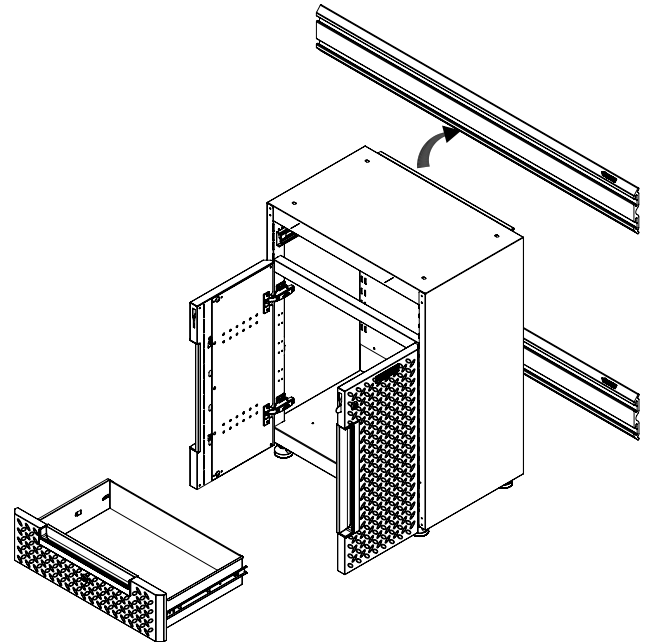
**NOTE:** Gladiator® Flex Brackets are sold individually and Gladiator® GearTrack® channels are sold separately.

### 1. Install the wall brackets to the cabinet.

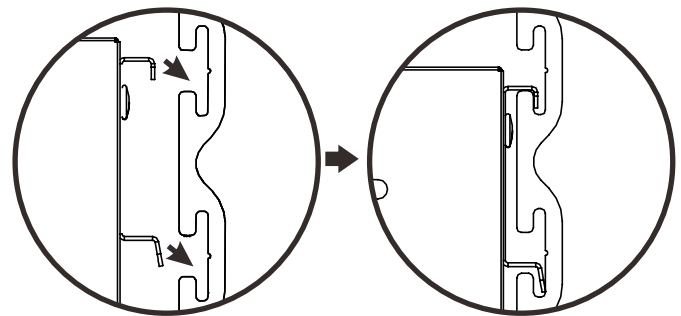


- Remove the drawer from the base cabinet. (See instruction on Page 16)
- Temporarily turn the base cabinet upside down as shown.
- Attach the brackets to the back of the base cabinet as shown with eight M6 round head square neck bolts (F5) and eight M6 flange nuts (F3).

### 2. Hang the base cabinet onto the GearTrack® channels.



The GearTrack® channels should be installed with the spacing as shown.



- Make sure the two brackets are fully engaged in the slots as shown. Install the drawer back to the base cabinet. (See instruction on page 16)

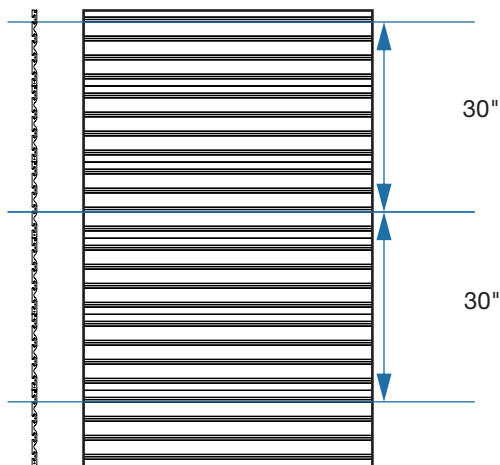
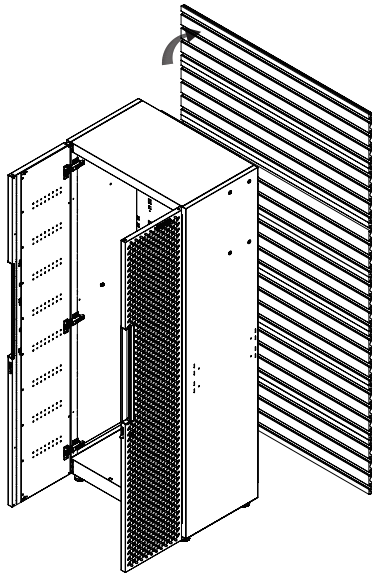
**NOTE:** For installation of the Gladiator® GearTrack® channels, please refer to the manual instructions included with the Gladiator® GearTrack® channels.



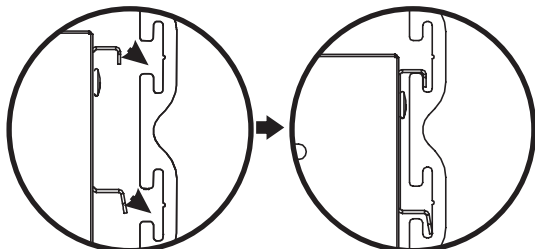
# INSTALL CABINET TO GLADIATOR® GEARWALL® PANELS

**NOTE:** Gladiator® Flex Brackets are sold individually and Gladiator® GearWall® panels are sold separately.  
**NOTE:** For installation of the Gladiator® GearWall® panels, please refer to the manual instructions included with the Gladiator® GearWall® panels.

## Install the 30" Tall Cabinet

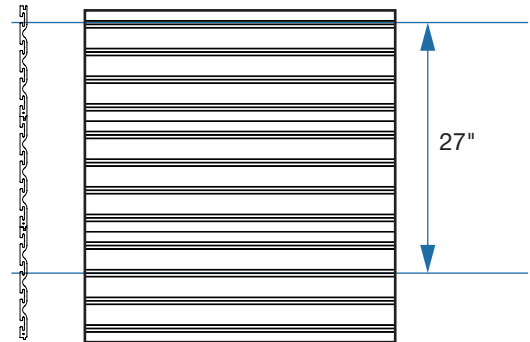
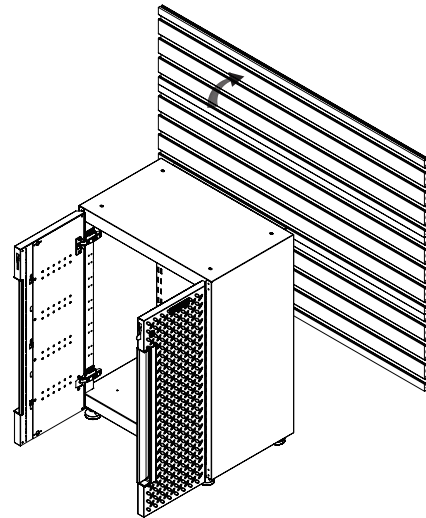


The GearWall® panels should be installed with the spacing as shown.

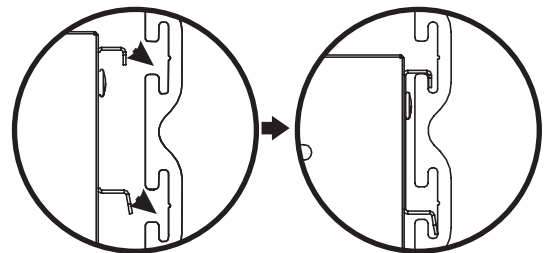


- Install three brackets to the tall cabinet. (see instruction on Page 12))
- Hang the tall cabinet onto the GearWall® panels.
- Make sure all three brackets are fully engaged in the slots as shown.

## Install the 24" 2-door Base Cabinet



The GearWall® panels should be installed with the spacing as shown.



- Install two brackets to the base cabinet. (see instruction on Page 14)
- Hang the base cabinet onto the GearWall® panels.
- Make sure both brackets are fully engaged in the slots as shown.

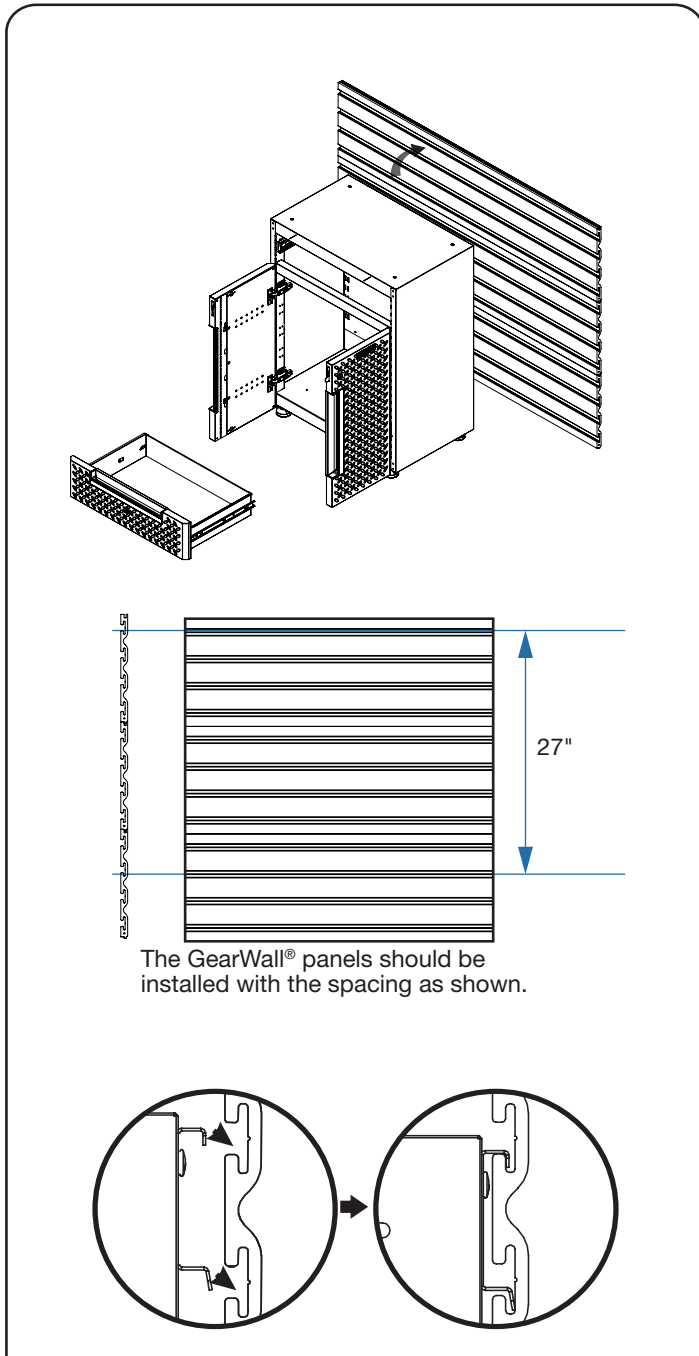


# INSTALL CABINET TO GLADIATOR® GEARWALL® PANEL

**NOTE:** Gladiator® Flex Brackets are sold individually and Gladiator® GearWall® panels are sold separately.

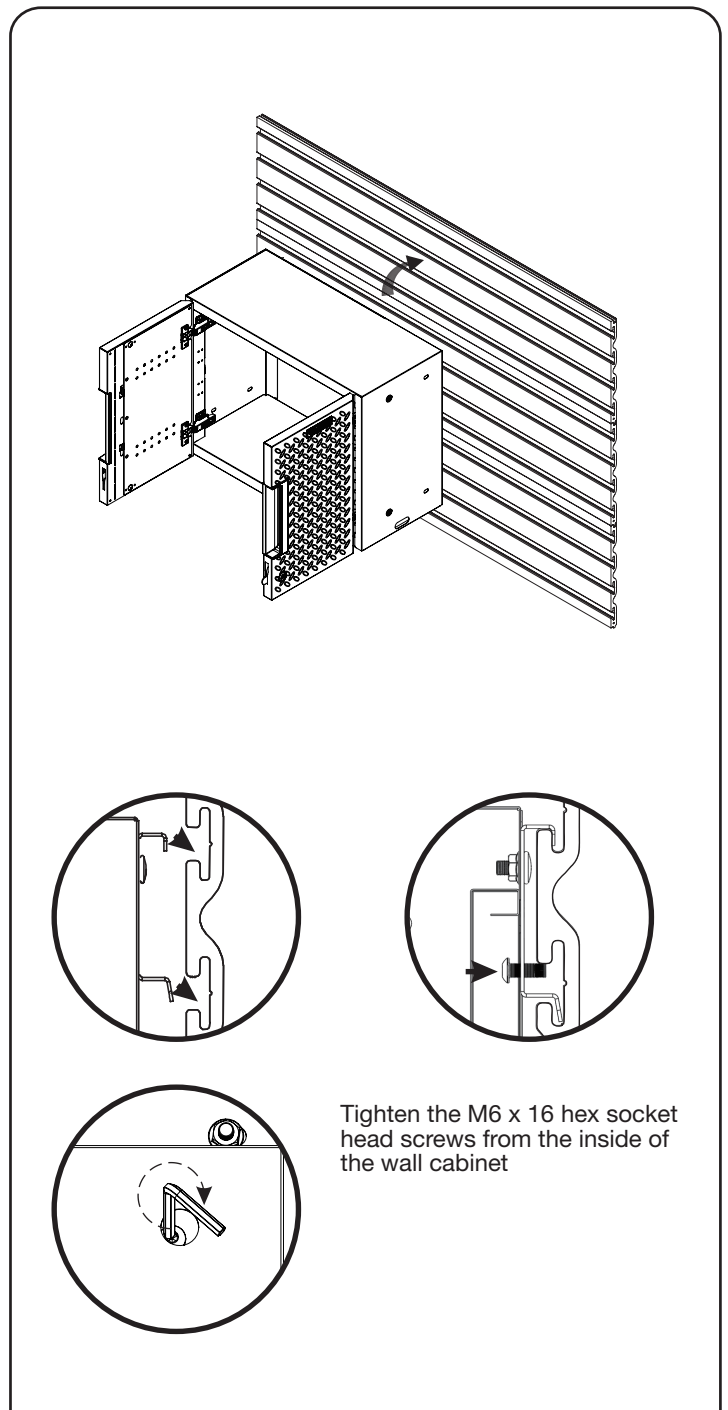
**NOTE:** For installation of the Gladiator® GearWall® panels, please refer to the manual instructions included with the Gladiator® GearWall® panels.

## Install the 24" 1-drawer 2-door Base Cabinet



- Install two brackets to the base cabinet. (see instruction on Page 15)
- Hang the base cabinet onto the GearWall® panels.
- Make sure both brackets are fully engaged in the slots as shown. Install the drawer back to the base cabinet. (See instruction on page 18)

## Install the 24" Wall Cabinet



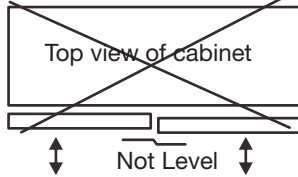
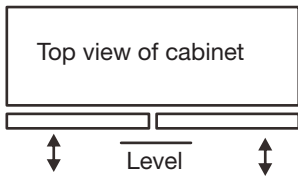
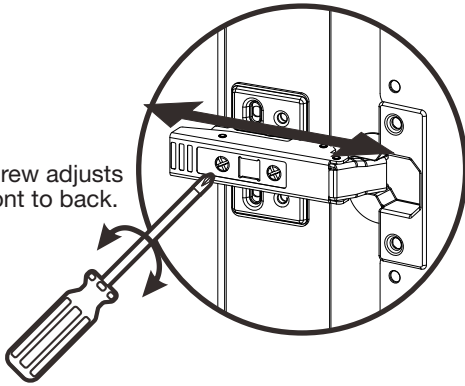
- Install the bracket to the wall cabinet. (see instruction on Page 13)
- Hang the wall cabinet onto the GearWall® panels.
- Make sure the bracket is fully engaged in the wall slots as shown. Tighten the pre-attached M6 x 16 hex socket head screws fully into the bracket and make sure they go into the wall slots.

# DOOR ADJUSTMENT

## Adjusting the Door (if required)

### Adjusting the door front to back (if required)

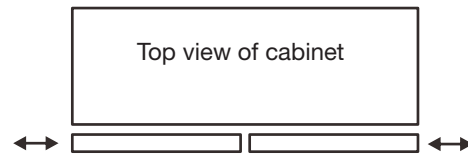
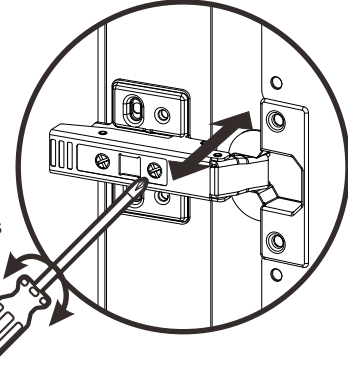
Rear screw adjusts door front to back.



- Screw the inner screw on the soft closed hinge to adjust the gap between the doors and shell. Ensure the door is always level.

### Adjusting the door side to side (if required)

Front screw adjusts door side to side.



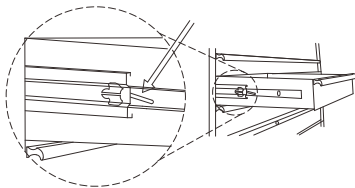
- Screw the outer screw on the soft closed hinge to adjust the gap between the doors. Ensure the door is always level.

# DRAWER REMOVAL AND REPLACEMENT

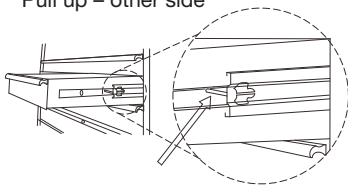
## Drawer removal and replacement

### Drawer removal and replacement

Push down – one side



Pull up – other side



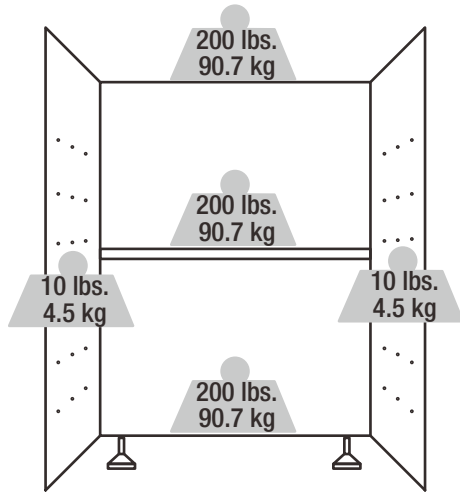
#### ■ DRAWER REMOVAL

Empty the drawer. Pull the drawer out so it's almost fully extended. There are two black release levers, one on each side of the drawer. Pull up the black release lever on one side, while pushing down the black release lever on the other side. While holding the levers in the positions as instructed above, pull the drawer outward until it is released from the drawer slides.

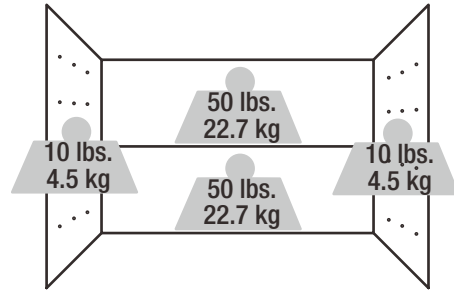
#### ■ DRAWER REPLACEMENT

Extend the drawer slides from the cabinet. Insert the brackets on each side of the drawer into the slots in the slides, being careful that they are properly positioned. Once properly inserted, completely close the drawer to set the slides in their proper positions.

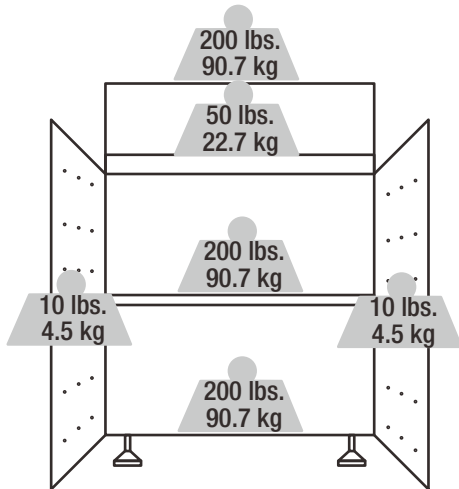
# WEIGHT CAPACITY



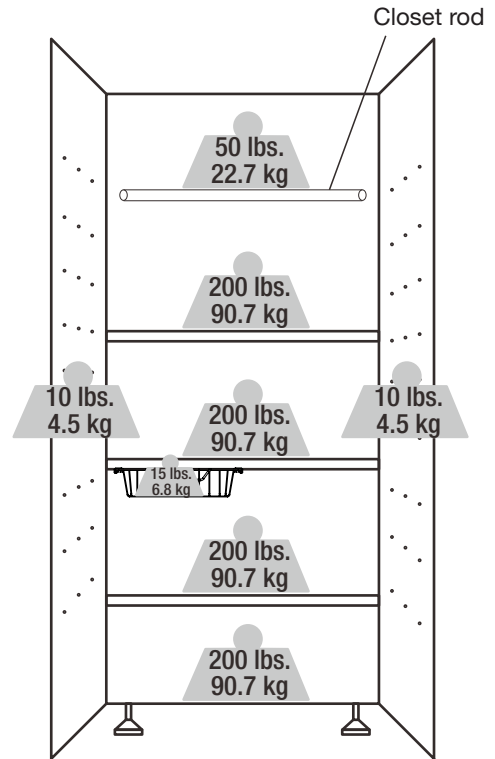
24" 2-Door  
Base Cabinet  
Max 620 lbs.



24" Wall Cabinet  
Max 120 lbs.



24" 1-Drawer  
2-Door Base  
Cabinet Max  
670 lbs.



30" Tall Cabinet  
Max 870 lbs.  
(Shelf's maximum load capacity  
includes the basket weight and  
load inside the basket)

---

## MAINTENANCE

- Check all the screws and nuts periodically for tightness. Tighten them when necessary.
- Check the wall strap periodically for tightness. Tighten it when necessary.

---

## CARE AND CLEANING

- Periodically clean the surfaces with a soft rag and water.
- Grease and oil can be removed with most standard cleaning fluids. Use a nonflammable cleaning fluid.

---

## GLADIATOR® FLEX ACCESSORIES

To order accessories, call **1-866-342-4089** and ask for the accessory part number listed below or contact your authorized Gladiator® GarageWorks dealer. In Canada, Call **1-800-807-6777**.

**Gladiator® Flex Bracket (Order Part # GANA201BMS)** - Allows the cabinet to be mounted on Gladiator® GearTrack® channels.

**Gladiator® Flex Caster Kit (Order Part # GANA04CKMX)**

**Gladiator® Flex Basket Kit (Order Part # GANA12SBMB)**

**Gladiator® Flex Worktop (Order Part # GANA24HWMX)**

---

## WARRANTY

For warranty information:

In the U.S.A. call **1-866-342-4089** or visit our website at **[www.gladiatorgarageworks.com](http://www.gladiatorgarageworks.com)**

In Canada call **1-800-807-6777** or visit our website at **[www.gladiatorgarageworks.ca](http://www.gladiatorgarageworks.ca)**

# SÉCURITÉ DE L'ARMOIRE

## Votre sécurité et celle des autres est très importante.

Nous donnons de nombreux messages de sécurité importants dans ce manuel et sur votre produit ménager. Assurez-vous de toujours lire tous les messages de sécurité et de vous y conformer.



Voici le symbole d'alerte de sécurité.

Ce symbole d'alerte de sécurité vous signale les dangers potentiels de décès et de blessures graves à vous et à d'autres.

Tous les messages de sécurité suivront le symbole d'alerte de sécurité et le mot "DANGER" ou "AVERTISSEMENT". Ces mots signifient :

**⚠ DANGER**

Risque possible de décès ou de blessure grave si vous ne suivez pas immédiatement les instructions.

**⚠ AVERTISSEMENT**

Risque possible de décès ou de blessure grave si vous ne suivez pas les instructions.

Tous les messages de sécurité vous diront quel est le danger potentiel et vous disent comment réduire le risque de blessure et ce qui peut se produire en cas de non-respect des instructions.

Afin de réduire les risques de blessures graves, lire et suivre les instructions de sécurité suivantes avant d'assembler et d'utiliser ce produit. Ce produit est conçu pour être utilisé dans un garage.

## ⚠ AVERTISSEMENT

### Risque du poids excessif

Utiliser deux ou plus de personnes pour déplacer et installer la **cabinet**

Le non-respect de cette instruction peut causer une blessure au dos ou d'autre blessure.

## ⚠ AVERTISSEMENT



### Risque de basculement

Une personne, enfant ou adulte, peut faire basculer l'armoire et subir des blessures mortelles.

Bien fermer et verrouiller les portes et tiroirs avant de déplacer l'armoire.

Le non-respect de cette instruction peut causer des blessures graves ou la mort.

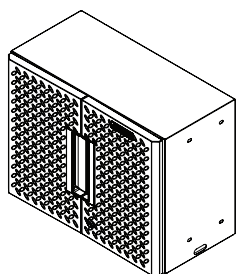
## IMPORTANTES INSTRUCTIONS DE SÉCURITÉ

- Le produit est conçu pour être utilisé dans un garage.
- Fermer et verrouiller les portes et le tiroir avant de déplacer ce produit.
- Il est toujours recommandé de fixer les armoires au mur à l'aide de la sangle de mur et du support inclus.
- NE RIEN mettre sur le panneau du haut de l'armoire murale ou de la grande armoire.
- Si les armoires du bas sont munies de roulettes, retirer tous les articles des armoires du haut avant de déplacer les cabines du bas.

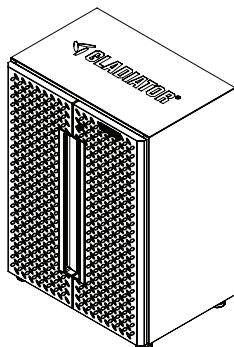
**CONSERVER CES INSTRUCTIONS**

# SYSTÈME D'ARMOIRES GLADIATOR® FLEX

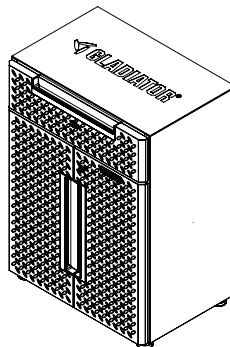
## ARMOIRES



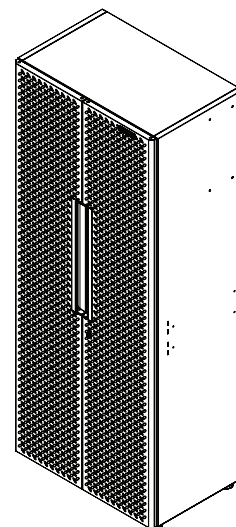
Armoire murale de 24 po



Armoire du bas à 2 portes de 24 po

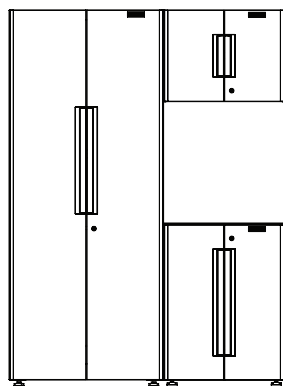


Armoire du bas à 1 tiroir et 2 portes de 24 po



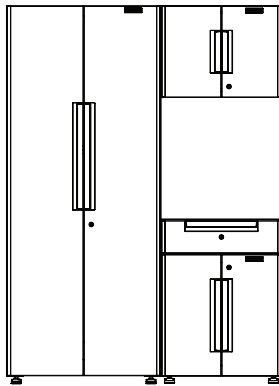
Grande armoire de 30 po

## ENSEMBLE



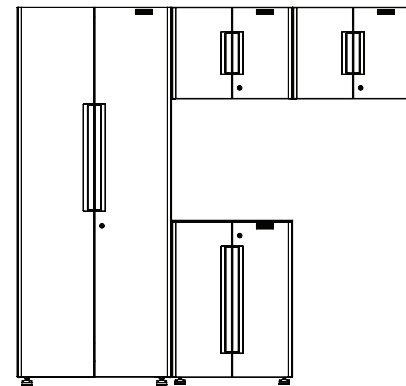
UGS : GANF03WFMTS

Armoires incluses	
Description	Quantité
Grande armoire de 30 po	1
Armoire murale de 24 po	1
Armoire du bas à 2 portes de 24 po	1



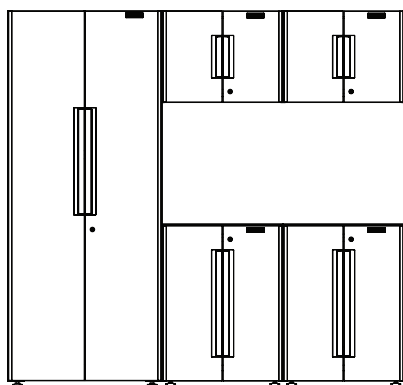
UGS : GANF03WDMTS

Armoires incluses	
Description	Quantité
Grande armoire de 30 po	1
Armoire murale de 24 po	1
Armoire du bas à 1 tiroir et 2 portes de 24 po	1



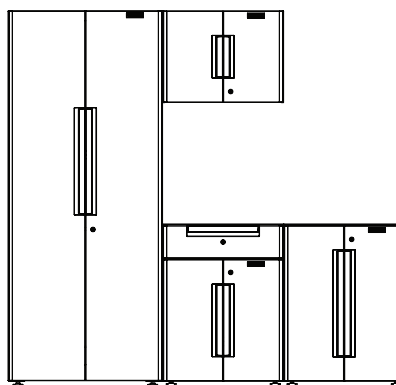
UGS : GANF04WFMTS

Armoires incluses	
Description	Quantité
Grande armoire de 30 po	1
Armoire murale de 24 po	2
Armoire du bas à 2 portes de 24 po	1



UGS : GANF05WFMTS

Armoires incluses	
Description	Quantité
Grande armoire de 30 po	1
Armoire murale de 24 po	2
Armoire du bas à 2 portes de 24 po	2

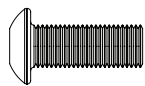


UGS : GANF04WCMTS

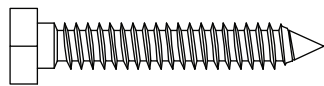
Armoires incluses	
Description	Quantité
Grande armoire de 30 po	1
Armoire murale de 24 po	1
Armoire du bas à 2 portes de 24 po	1
Armoire du bas à 1 tiroir et 2 portes de 24 po	1

# QUINCAILLERIE ET PIÈCES

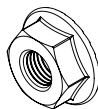
**REMARQUE :** La quincaillerie n'est pas illustrée à la taille réelle. La quincaillerie se trouve dans la boîte à quincaillerie, ce qui inclut la tringle.



F1



F2



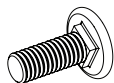
F3



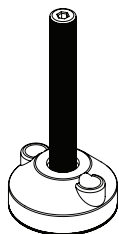
F4



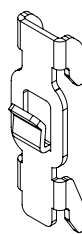
P1



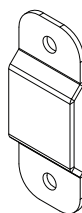
F5



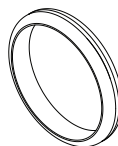
P2



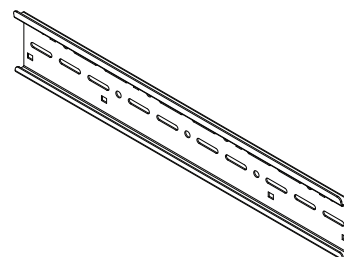
P3



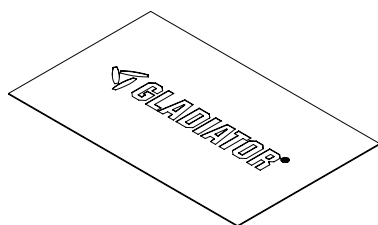
P4



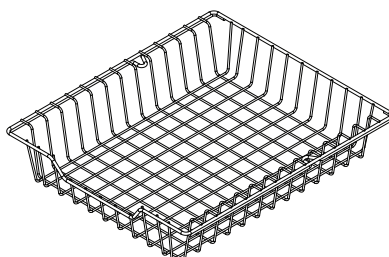
P5



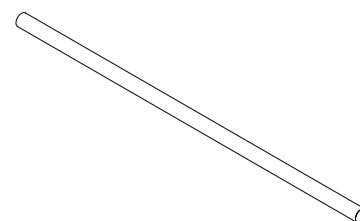
P6



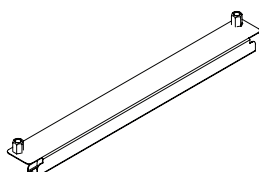
P7



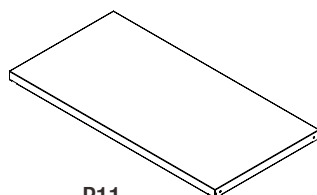
P8



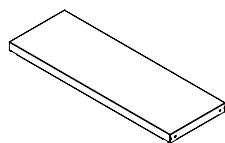
P9



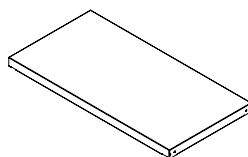
P10



P11



P12



P13



P14

No	Description
F1	Vis à tête hexagonale M6 x 16
F2	Boulon fileté hexagonal M6 x 40
F3	Écrou à embase M6
F4	Rondelle
F5	Boulon à col carré et tête ronde M6
P1	Sangle de mur
P2	Pied ajustable
P3	Support d'étagère
P4	Support mural
P5	Garniture de trou de passage
P6	Support de montage
P7	Tapis supérieur pour armoire du bas
P8	Panier
P9	Tringle pour la grande armoire
P10	Rainure du panier
P11	Étagère de la grande armoire
P12	Étagère de l'armoire murale
P13	Étagère de l'armoire du bas
P14	Clé



# INSTRUCTIONS D'ASSEMBLAGE

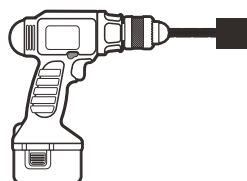
## Outils requis

- Rassembler les outils et pièces nécessaires avant d'entreprendre l'installation.
- Lire et suivre les instructions fournies avec les outils requis.

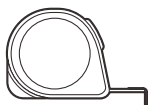
### Outils requis :



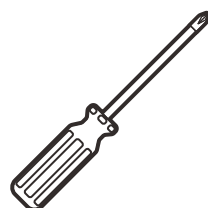
Clé hexagonale  
(incluse)



Perceuse avec  
embout de  
tournevis pour tête  
hexagonale de  
10 mm (non inclus)



Ruban à mesurer  
(non inclus)

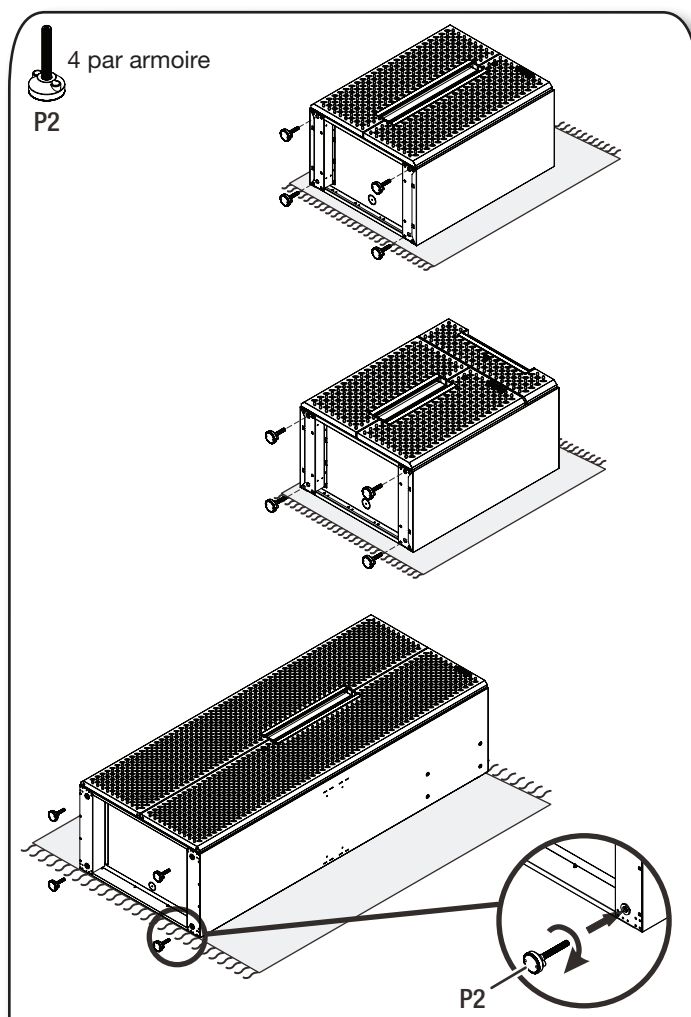


Tournevis à tête  
cruiforme no 2  
(non inclus)

## 1. Installation du pied ajustable

- Fermer et verrouiller les portes de l'armoire.

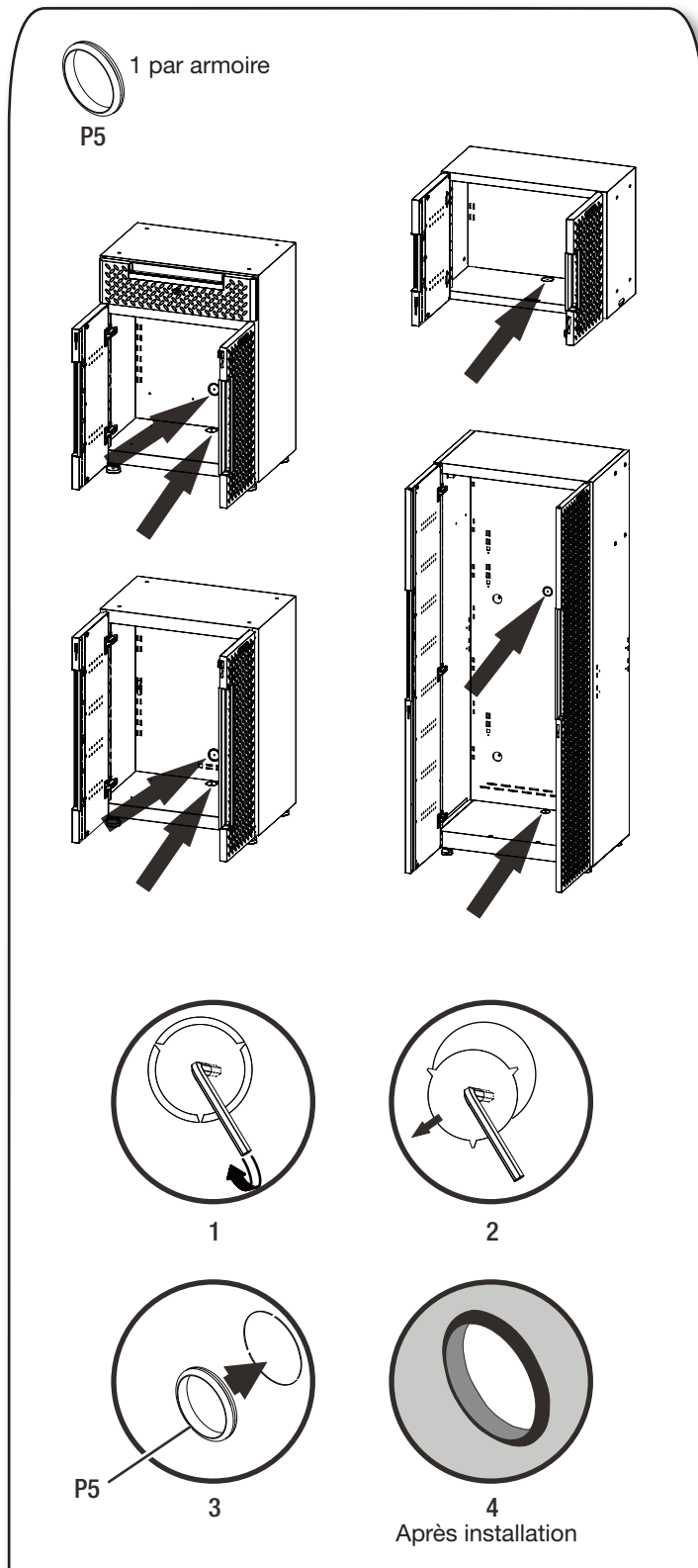
**REMARQUE :** S'il est nécessaire d'ouvrir les portes de l'armoire lors de la pose des pieds, ouvrir lentement et ne pas forcer sur les portes ouvertes. Ceci permet d'éviter d'endommager les charnières.



- Il pourrait être nécessaire d'être deux personnes pour effectuer l'assemblage. Placer au sol un carton de l'emballage et coucher les armoires à plat sur le dos (les portes vers le haut).
- Installer 4 pieds ajustables sous la base de chaque armoire et de la grande armoire comme illustré.

# INSTRUCTIONS D'ASSEMBLAGE

## 2. Installation des œilletons pour la gestion du cordon (facultatif)

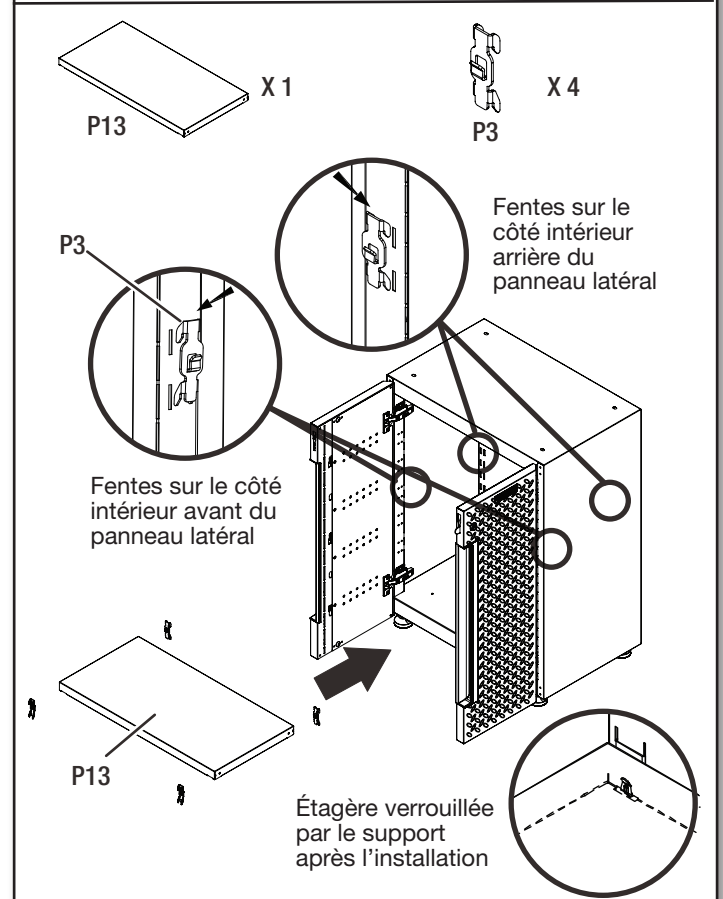


- Utiliser le côté court d'une clé hexagonale pour enlever les opercules des trous d'accès souhaités pour le cordon.
- Installer ensuite les œilletons dans ces trous.

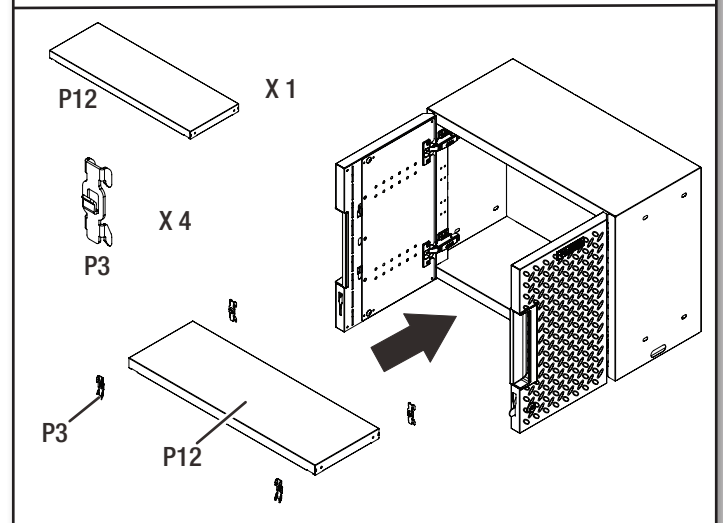
## 3. Installation des étagères

- Insérer les supports de l'étagère dans les fentes à la hauteur souhaitée et placer les étagères sur les supports de l'étagère.
- S'assurer que les quatre supports de l'étagère sont installés à la même hauteur.

### 3a. Installation de l'étagère dans l'armoire du bas à 2 portes.

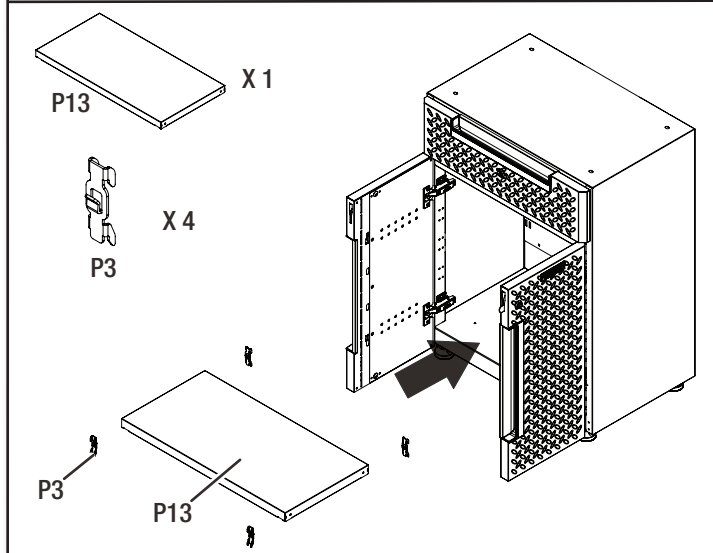


### 3b. Installation de l'étagère dans l'armoire murale

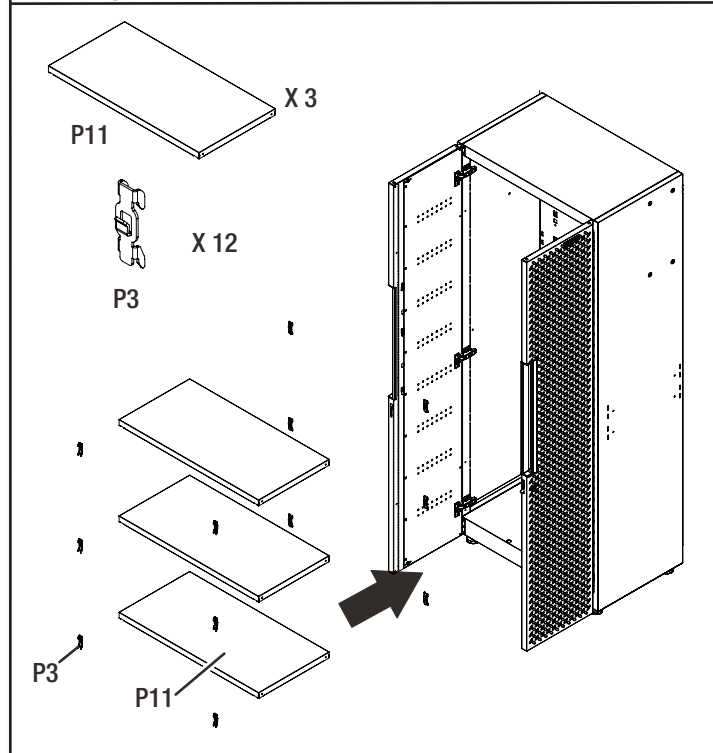


# INSTRUCTIONS D'ASSEMBLAGE

## 3c. Installation de l'étagère dans l'armoire du bas à 1 tiroir et 2 portes.



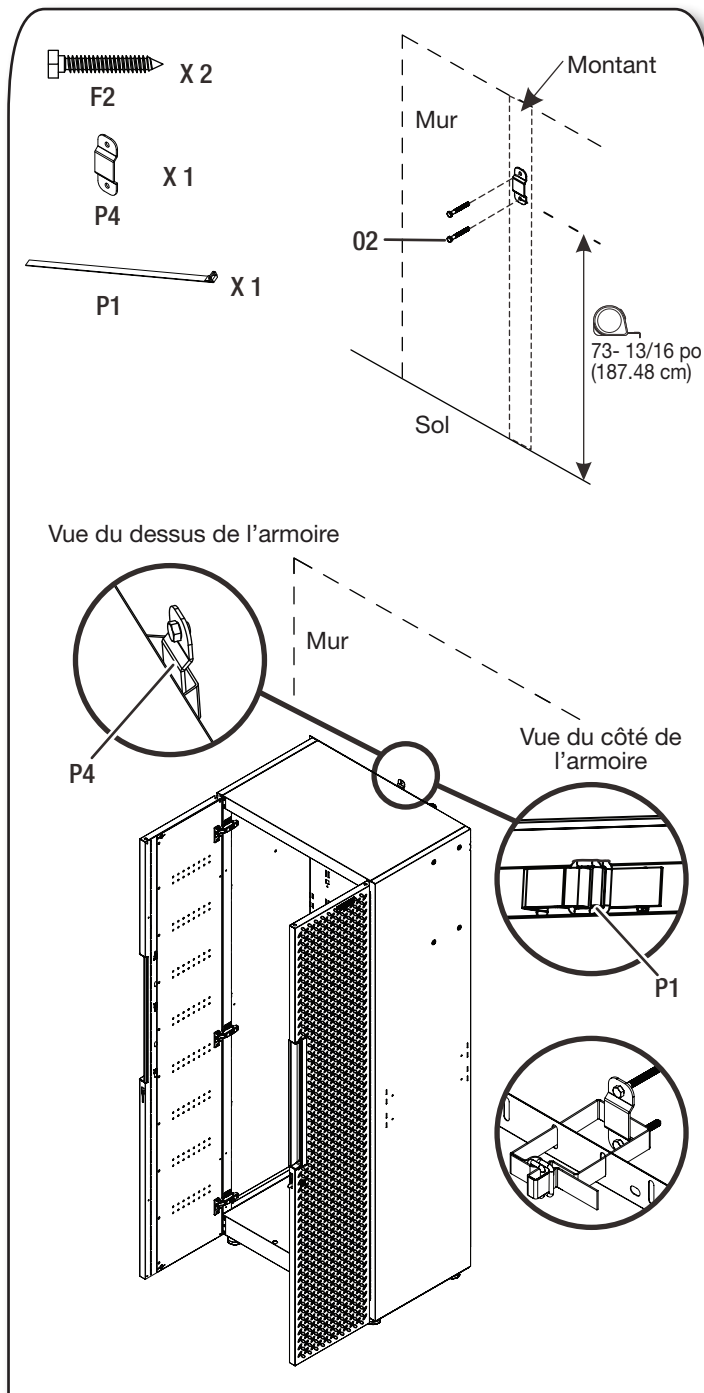
## 3d. Installation des étagères dans la grande armoire.



## 4. Fixation de la grande armoire au mur

**REMARQUE :** Ces instructions expliquent comment fixer directement les armoires au mur. Pour fixer les armoires aux profilés GearTrack® Gladiator®, consulter la page 29.

**IMPORTANT:** Les boulons filetés hexagonaux M6 x 40 doivent être vissés dans un montant de mur.



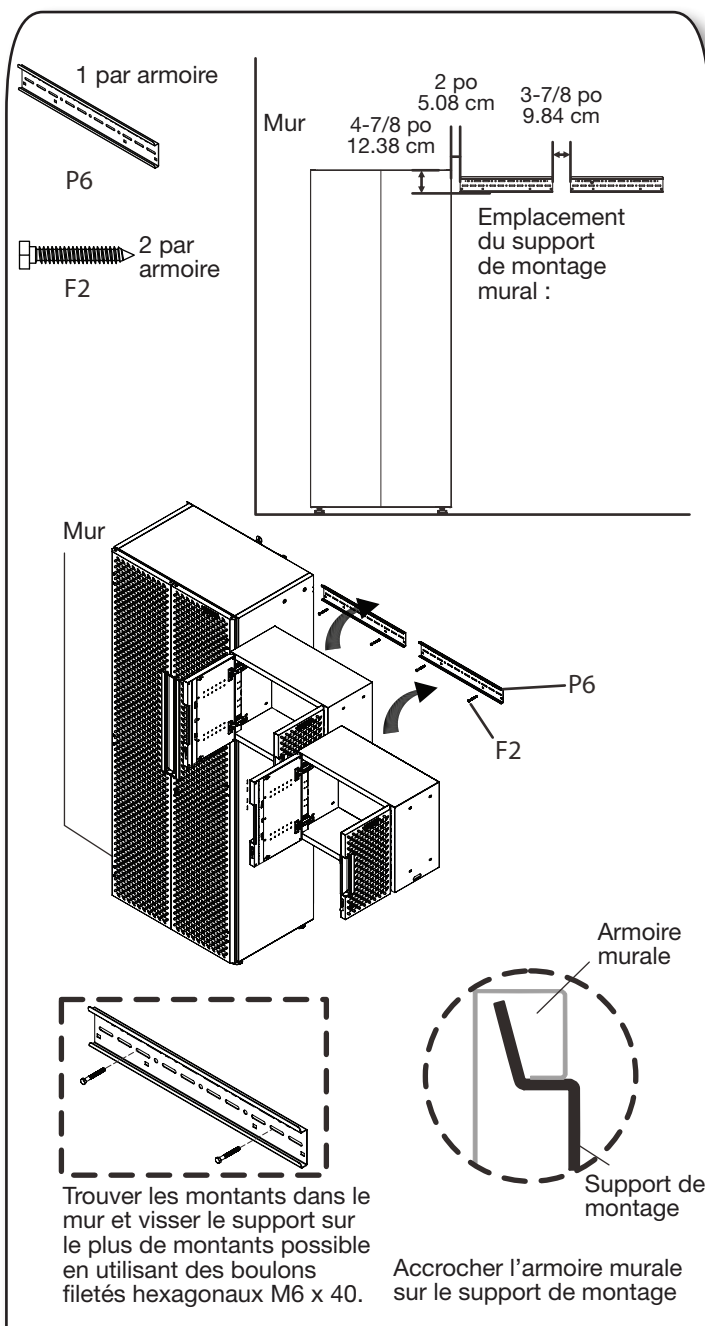
- Visser le support mural à un montant du mur à l'aide de deux boulons filetés hexagonaux M6 x 40 (F2). Serrer la grande armoire en utilisant la sangle de mur pour fixer ensemble la grande armoire et le support mural.

# INSTRUCTIONS D'ASSEMBLAGE

## 5. Fixation d'une armoire murale au mur

**REMARQUE :** Ces instructions expliquent comment fixer directement une armoire murale au mur. Pour fixer l'armoire murale aux profilés GearTrack® Gladiator®, consulter la page 29.

**IMPORTANT:** Les boulons filetés hexagonaux M6 x 40 doivent être vissés dans un montant de mur.

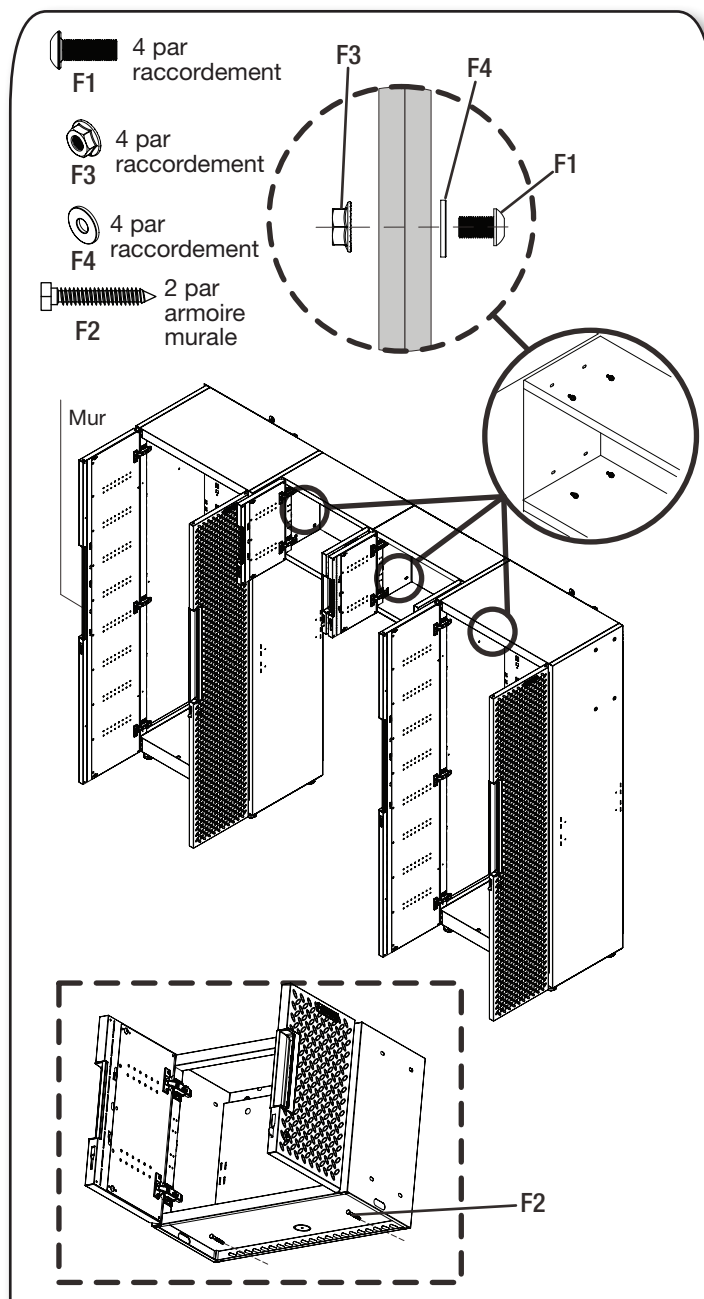


- La distance entre le haut du casier et le rebord inférieur du support doit être de 4 7/8 po.
- La distance entre le casier et le support doit être de 2 po.
- La distance entre les supports doit être de 3 7/8 po.

## 6. Fixation d'une armoire murale à une armoire voisine

**IMPORTANT:** Les boulons filetés hexagonaux M6 x 40 doivent être vissés dans un montant de mur.

**REMARQUE :** Il s'agit d'un exemple pour montrer comment créer un système en raccordant plusieurs armoires (vendu séparément).



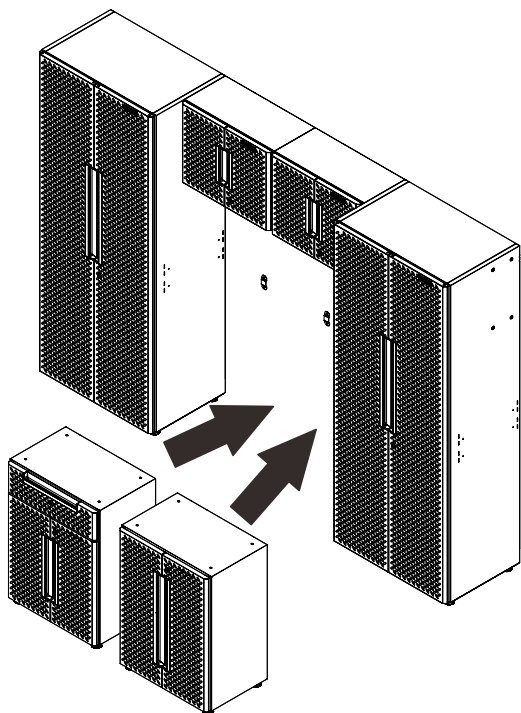
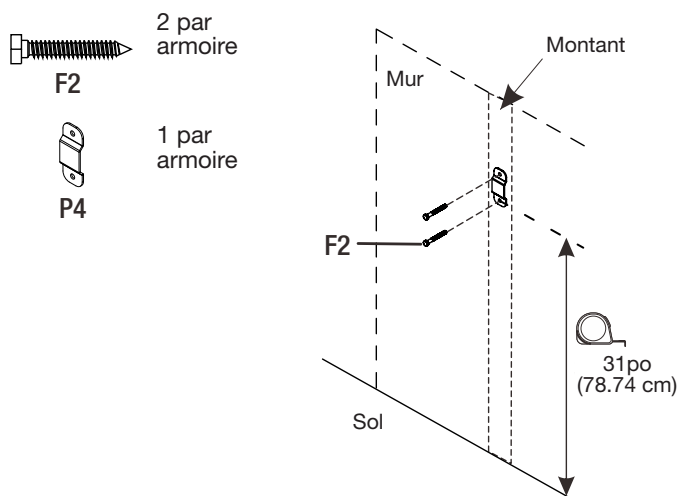
- Raccordez les armoires murales comme illustré et serrer de façon sécuritaire avec quatre vis à tête hexagonale M6 x 16 (F1), quatre écrous (F3) et quatre rondelles (F4) pour chaque côté.
- Fixer chaque base d'armoire murale aux montants du mur à l'aide de deux boulons filetés hexagonaux M6 x 40 (F2).

# INSTRUCTIONS D'ASSEMBLAGE

## 7. Positionnement des armoires du bas

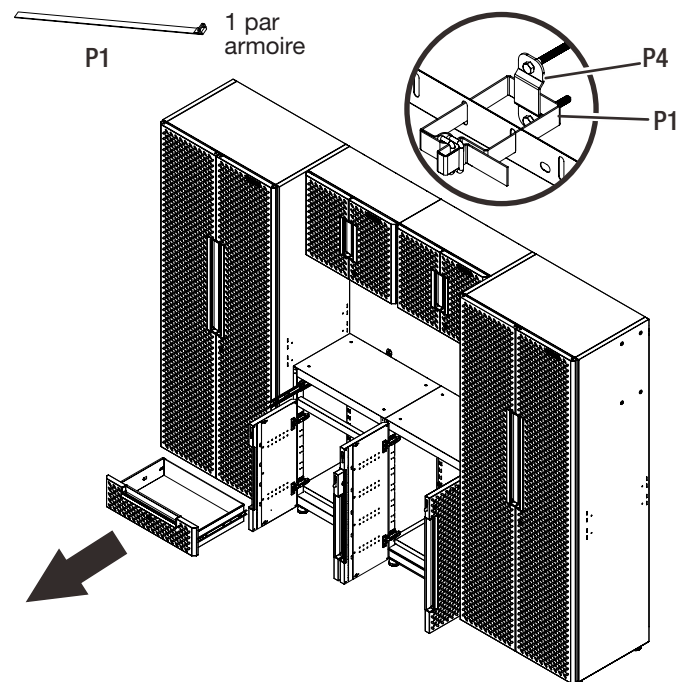
**IMPORTANT:** Les boulons filetés hexagonaux M6 x 40 doivent être vissés dans un montant de mur.

### 7a. Installation du support mural.



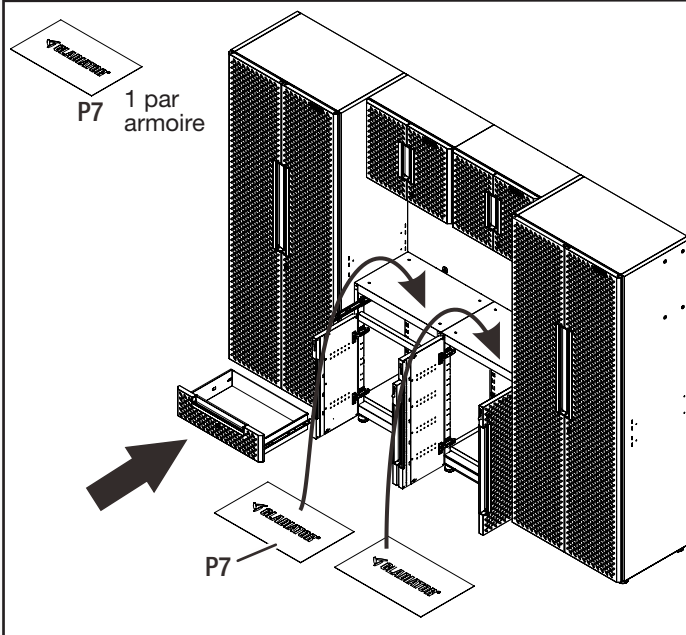
- Visser le support mural de chaque armoire du bas à un montant du mur à l'aide de deux boulons filetés hexagonaux M6 x 40 (F2).

### 7b. Serrer ensemble l'armoire du bas et le support mural.



- Retirer le tiroir de l'armoire du bas à 1 tiroir et 2 portes. (Consulter les instructions de la page 33)
- Serrer l'armoire du bas en utilisant la sangle de mur pour fixer ensemble l'armoire du bas et le support mural.

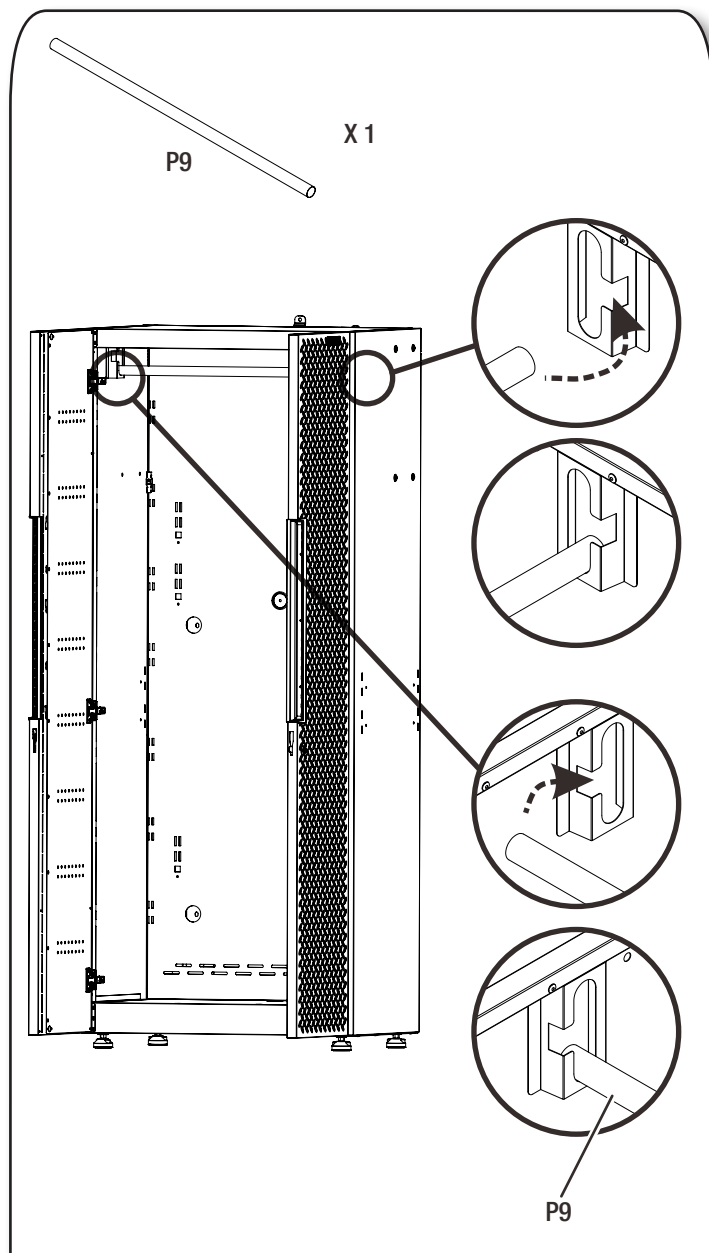
### 7c. Installation du tiroir et positionnement des tapis supérieurs.



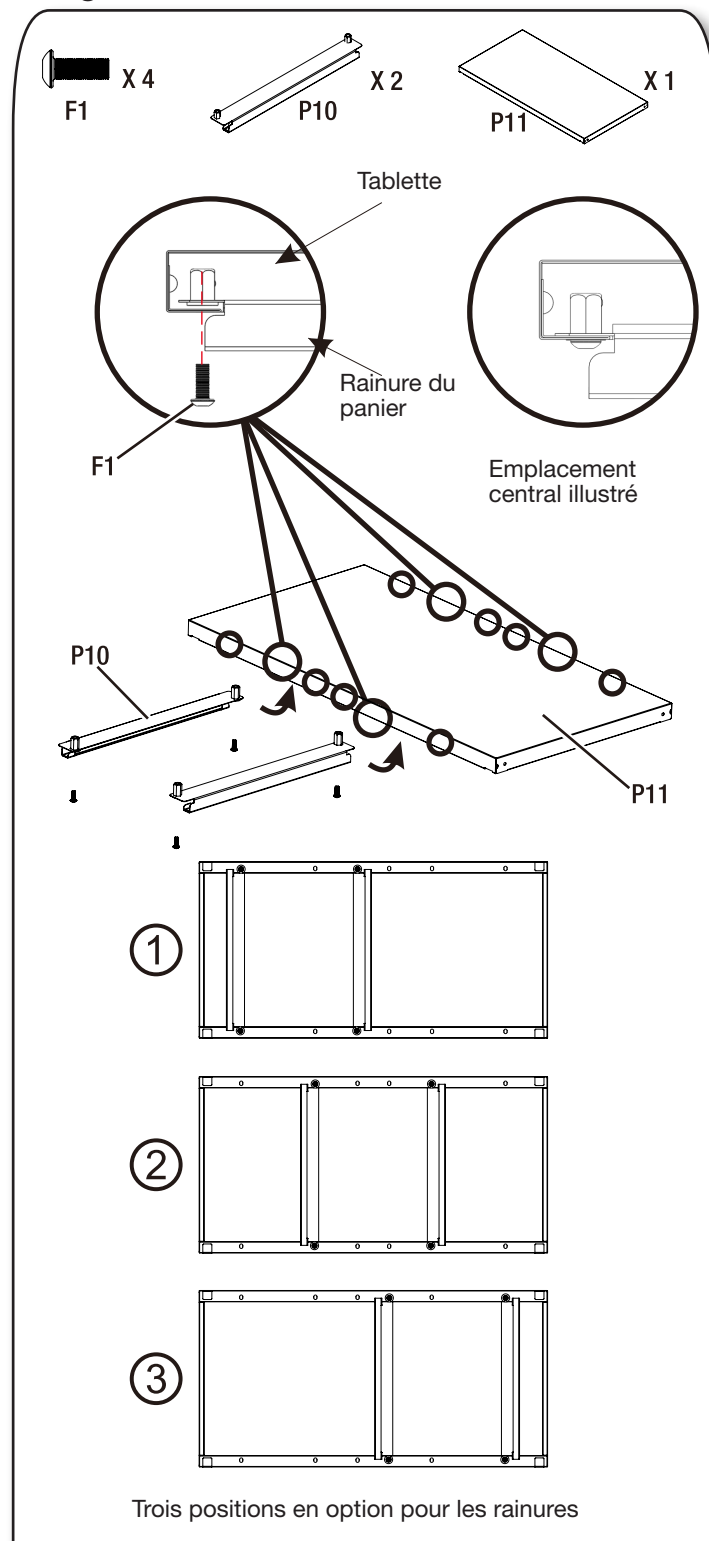
- Réinstallation du tiroir de l'armoire du bas à 1 tiroir et 2 portes. (Consulter les instructions de la page 33)
- Placer les tapis supérieurs sur le dessus des armoires du bas.

# INSTRUCTIONS D'ASSEMBLAGE

## 8. Installation de la tringle dans la grande armoire



## 9. Installation des rainures du panier dans la grande armoire



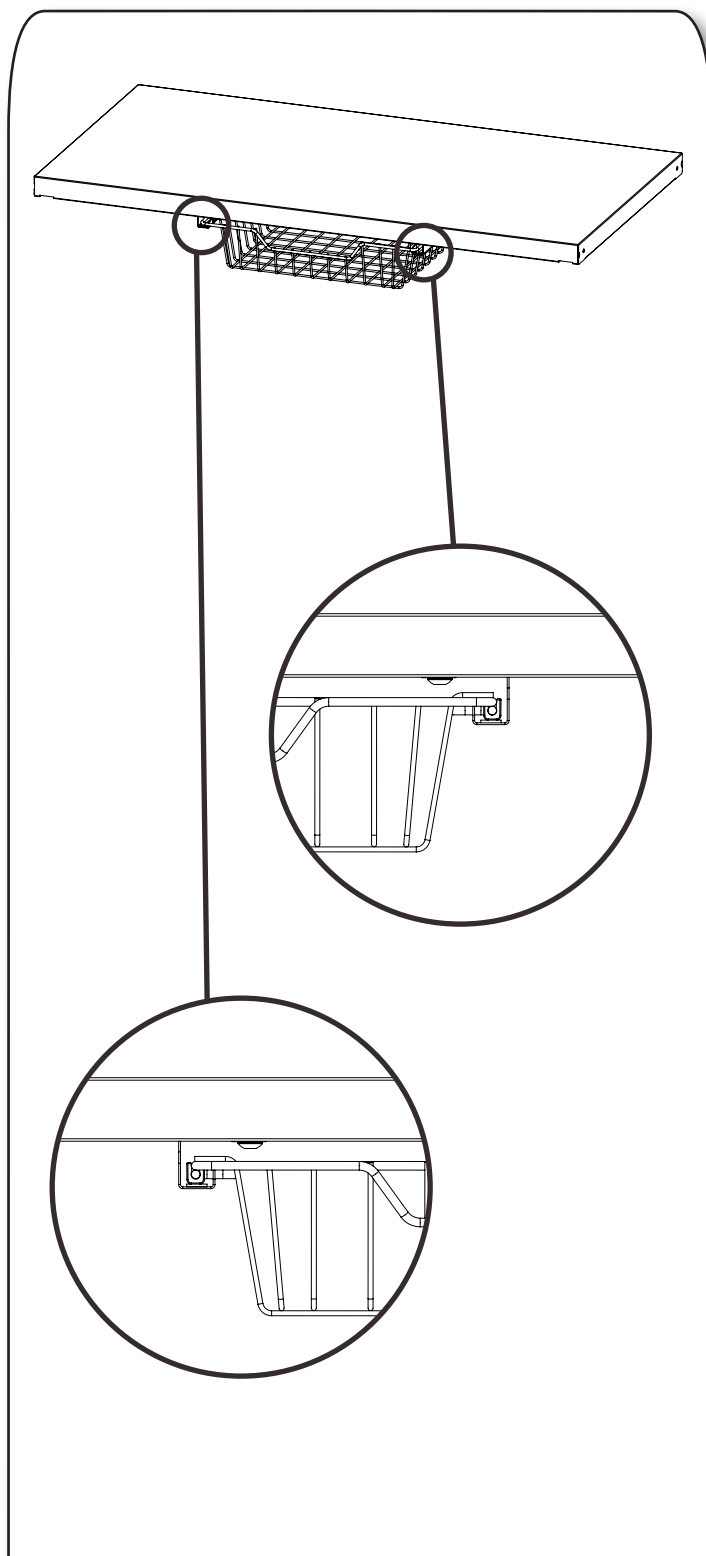
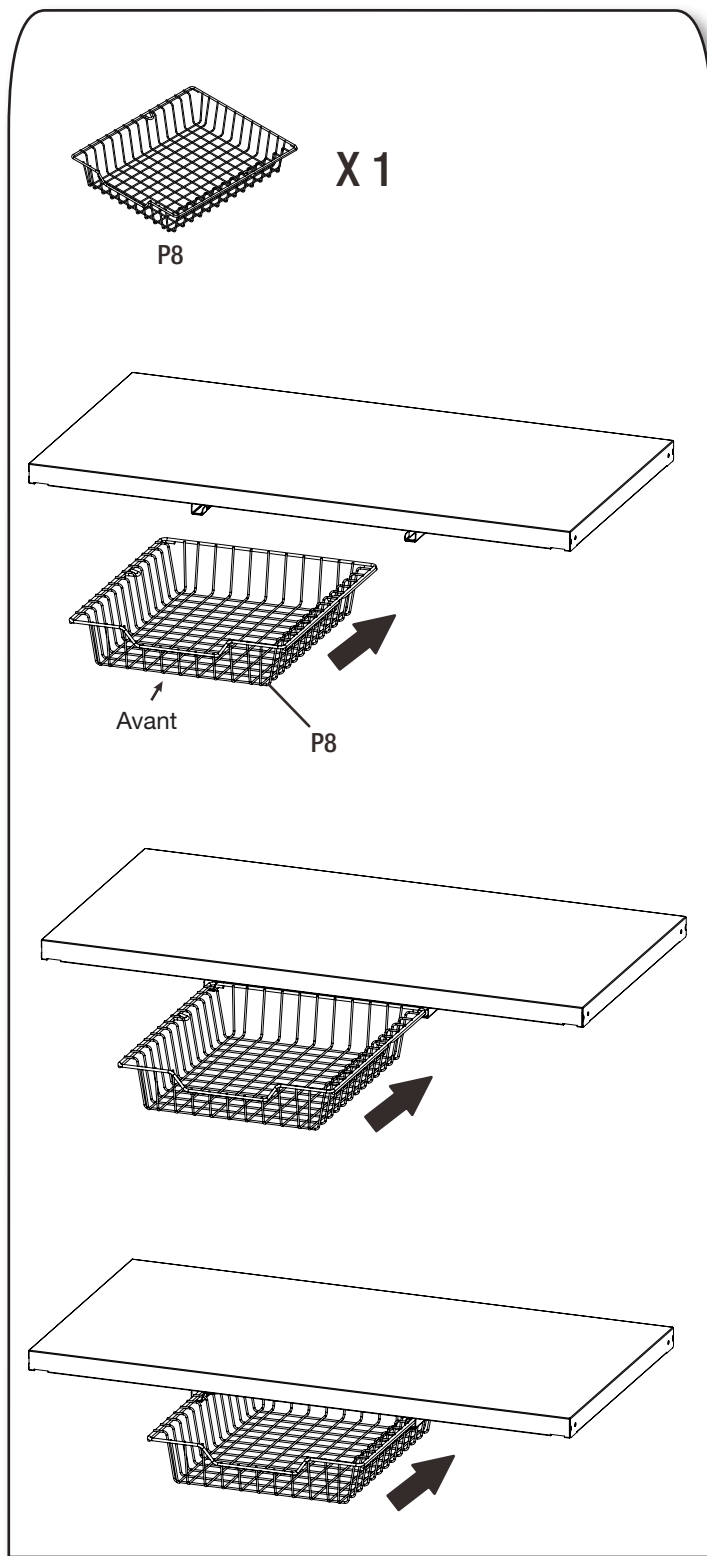
- Installer les deux rainures sous l'étagère de l'armoire à l'aide de quatre vis à tête hexagonale M6 x 16 (F1).

**REMARQUE :** Chaque grande armoire comprend un panier. Des ensembles supplémentaires de paniers Flex peuvent être achetés pour créer d'autres options de rangement. Deux paniers peuvent être positionnés côte à côte sous l'étagère de la grande armoire.



# INSTRUCTIONS D'ASSEMBLAGE

## 10. Installation du panier



- Fixer le panier (P8) aux rainures du panier déjà (P10) installées sous l'étagère de la grande armoire.

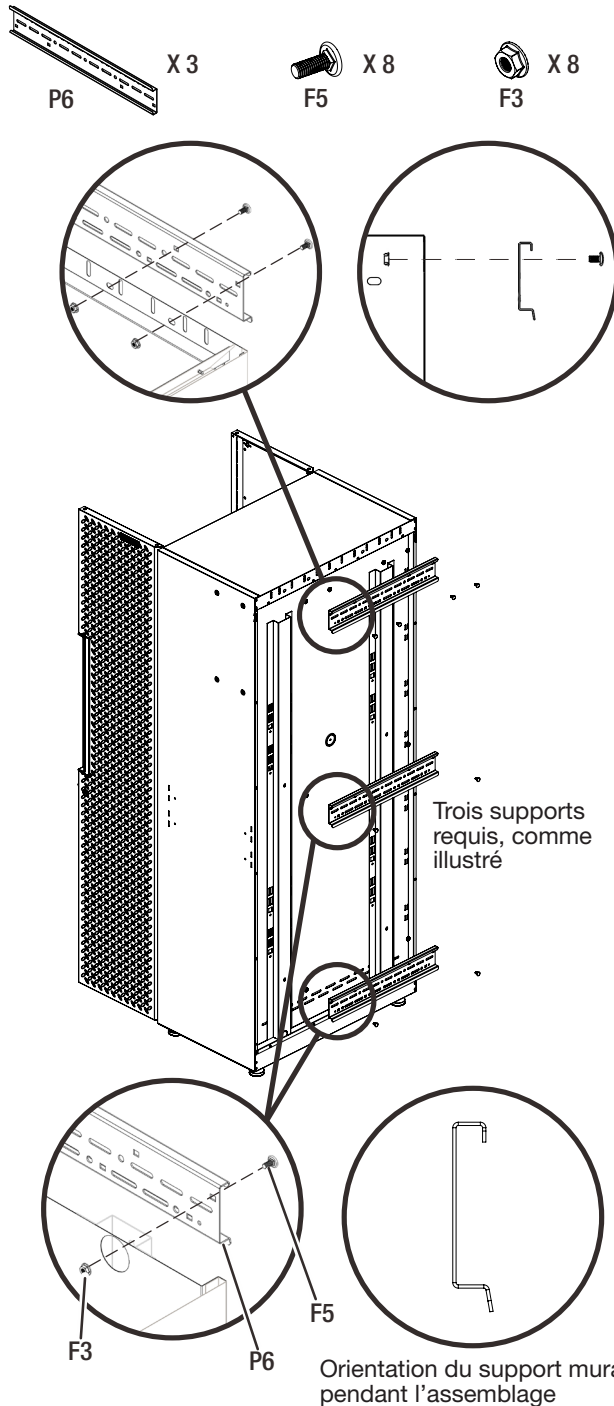


# INSTALLER L'ARMOIRE SUR LES PROFILÉS GEARTRACK® GLADIATOR®

## Installer la grande armoire de 30 po

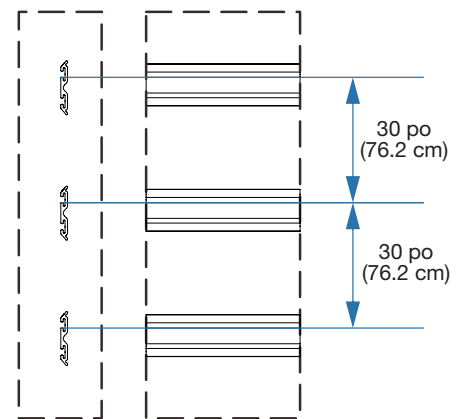
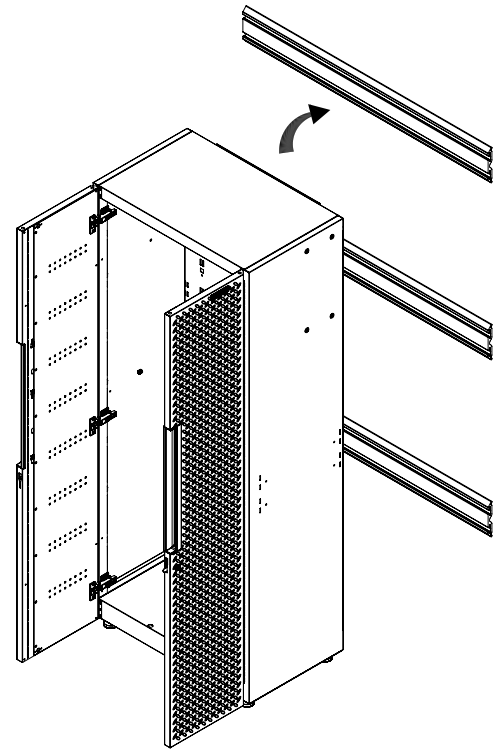
**REMARQUE :** Les supports Gladiator® Flex sont vendus séparément et les profilés GearTrack® Gladiator® sont aussi vendus séparément.

### 1. Installation des supports sur la grande armoire.

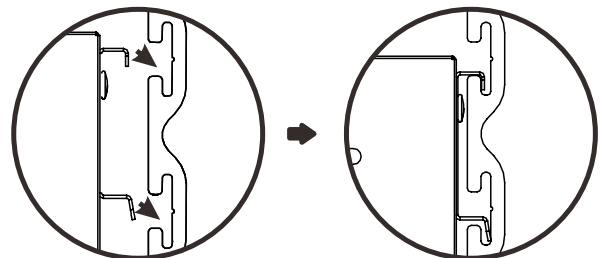


- Fixer le support du haut à l'arrière et au haut de la grande armoire à l'aide de quatre boulons à col carré et tête ronde M6 (F5) et quatre écrous à embase M6 (F3).
- Fixer les supports du centre et du bas à la grande armoire à l'aide de deux boulons à col carré et tête ronde M6 (F5) et deux écrous à embase M6 (F3).

### 2. Accrocher la grande armoire sur les profilés GearTrack®.



Les profilés GearTrack® doivent être installés avec l'espacement comme illustré.



- Vérifier que les trois supports sont parfaitement engagés dans les rainures comme illustré.

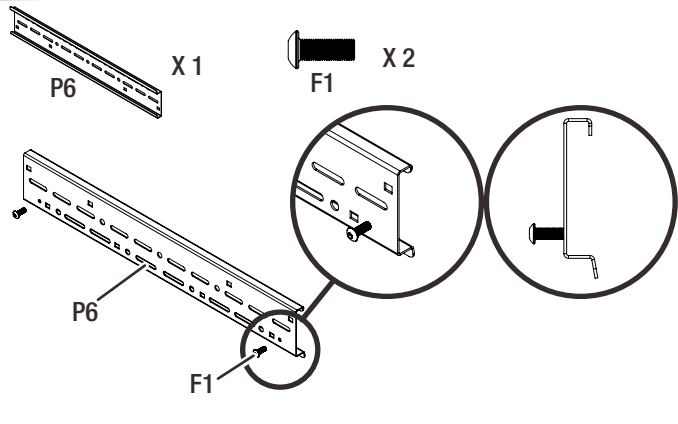
**REMARQUE :** Pour installer les profilés GearTrack® Gladiator®, consulter le manuel d'instructions inclus avec les profilés GearTrack® Gladiator®.

# INSTALLER L'ARMOIRE SUR LES PROFILÉS GEARTRACK® GLADIATOR®

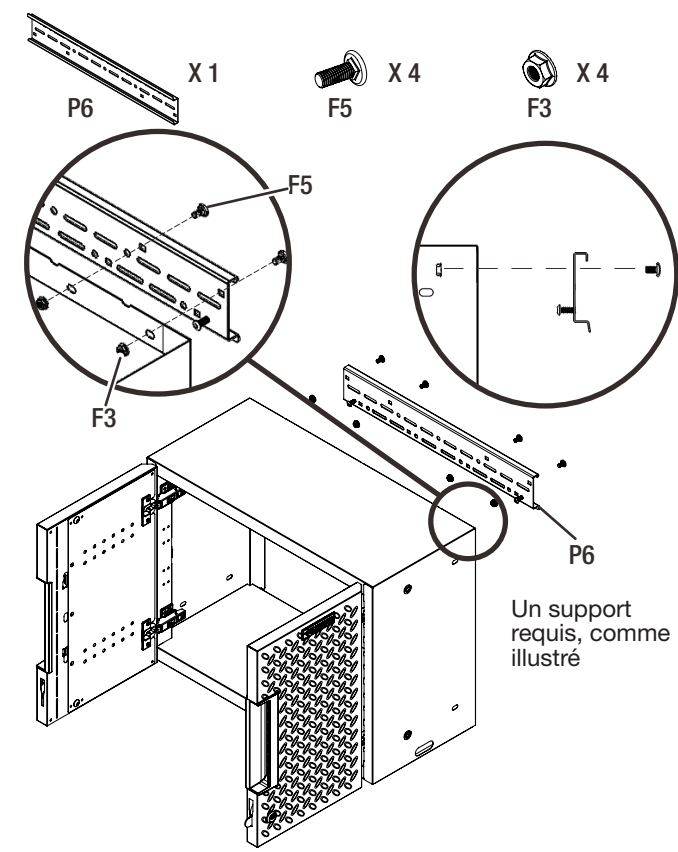
## Installer l'armoire murale de 24 po

**REMARQUE :** Les profilés GearTrack® Gladiator® sont vendus séparément.

### 1. Fixer deux vis à tête hexagonale M6 x 16 au support comme illustré.

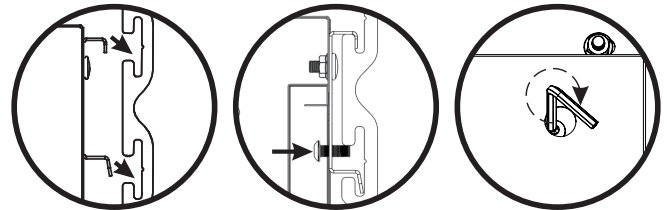
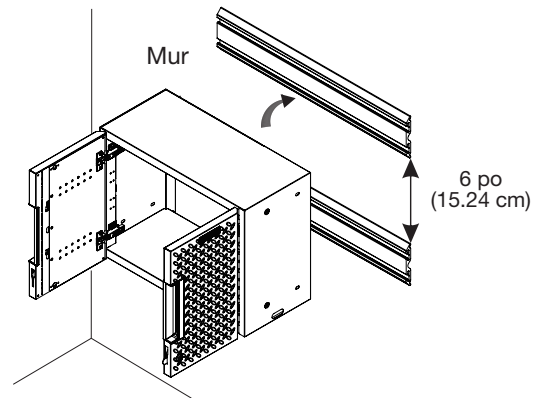


### 2. Fixer le support à l'arrière et au haut de l'armoire murale.

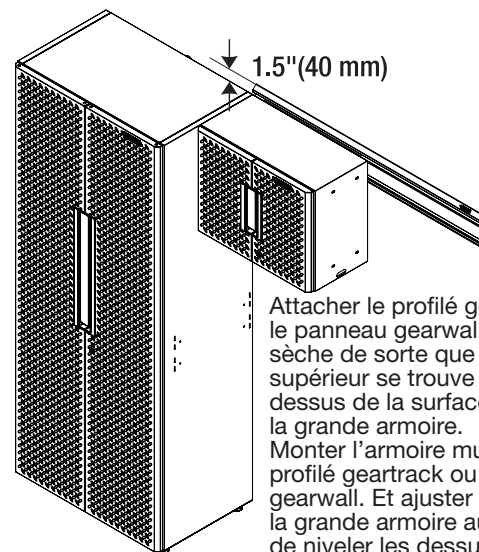


- Fixer le support à l'arrière et au haut de l'armoire murale à l'aide de quatre boulons à col carré et tête ronde M6 (F5) et quatre écrous à embase M6 (F3).

### 3. Accrocher l'armoire murale sur le profilé GearTrack®.



Serrer les vis à tête hexagonale M6 x 16 de l'intérieur de l'armoire murale



Attacher le profilé geartrack ou le panneau gearwall à la cloison sèche de sorte que son bord supérieur se trouve à 40 mm au-dessus de la surface supérieure de la grande armoire. Monter l'armoire murale sur le profilé geartrack ou le panneau gearwall. Et ajuster les pieds de la grande armoire au besoin afin de niveler les dessus des deux armoires grande et murale.

- Vérifier que le support est parfaitement engagé dans les rainures murales. Serrer complètement les vis à tête hexagonale M6 x 16 déjà mises en place sur le support et s'assurer qu'elles pénètrent dans les rainures murales.

**REMARQUE :** Si on installe l'armoire murale sur des profilés GearTrack®, un deuxième profilé doit être installé à 6 po (15,24 cm) sous la partie inférieure du profilé porteur. L'armoire suspendue sera alors d'aplomb.

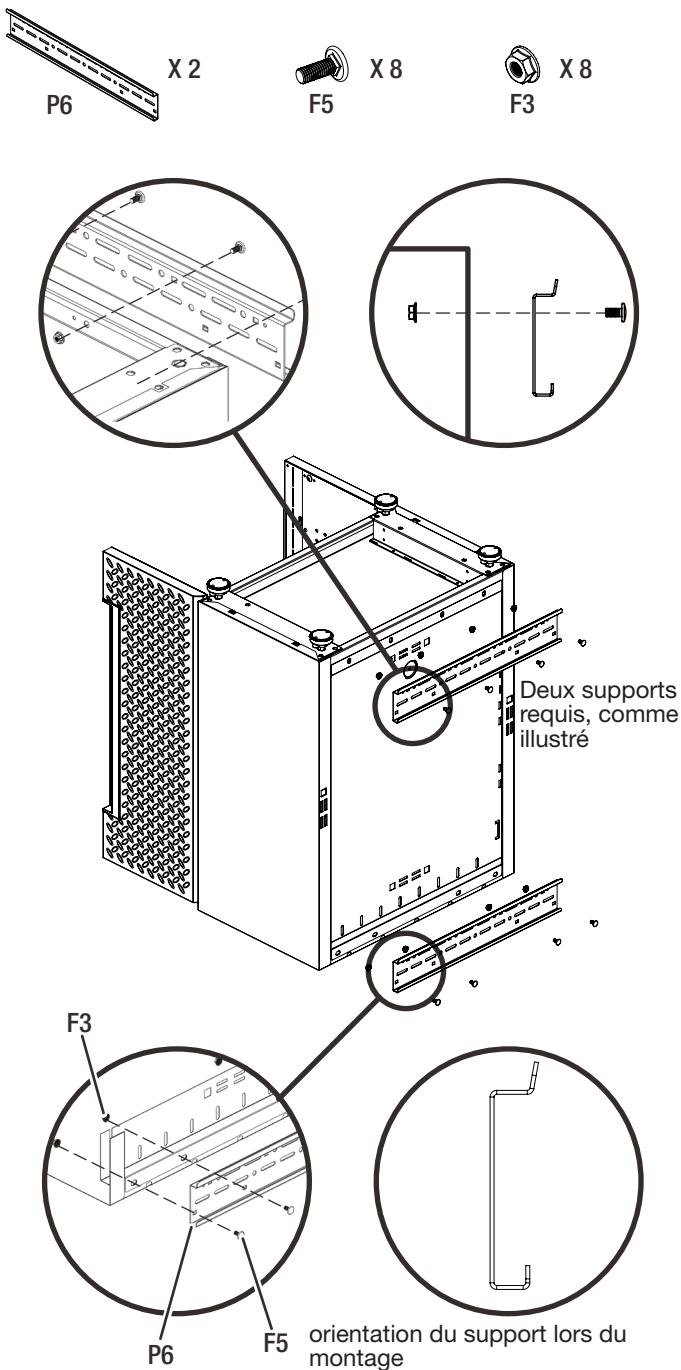
**REMARQUE :** Pour installer les profilés GearTrack® Gladiator®, consulter le manuel d'instructions inclus avec les profilés GearTrack® Gladiator®.

# INSTALLER L'ARMOIRE SUR LES PROFILÉS GEARTRACK® GLADIATOR®

## Installer l'armoire du bas à 2 portes de 24 po

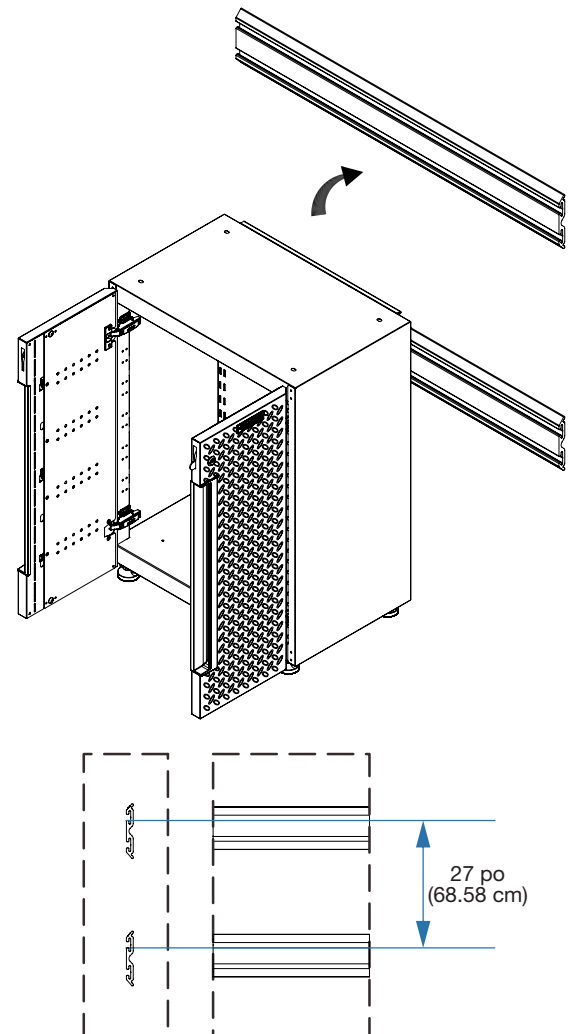
**REMARQUE :** Les supports Gladiator® Flex sont vendus séparément et les profilés GearTrack® Gladiator® sont aussi vendus séparément.

### 1. Installation des supports sur l'armoire.

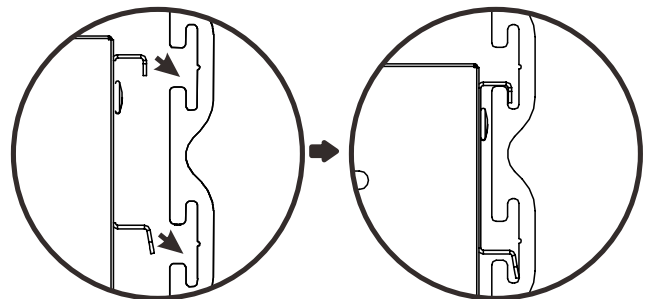


- Placer temporairement le cabinet du bas à l'envers comme illustré.
- Fixer les supports à l'arrière de l'armoire du bas à l'aide de huit boulons à col carré et tête ronde M6 (F5) et huit écrous à embase M6 (F3).

### 2. Accrocher l'armoire du bas sur les profilés GearTrack®.



Les profilés GearTrack® doivent être installés avec l'espacement comme illustré.



- Accrocher l'armoire du bas sur les profilés GearTrack®. Vérifier que les deux supports sont parfaitement engagés dans les rainures comme illustré.

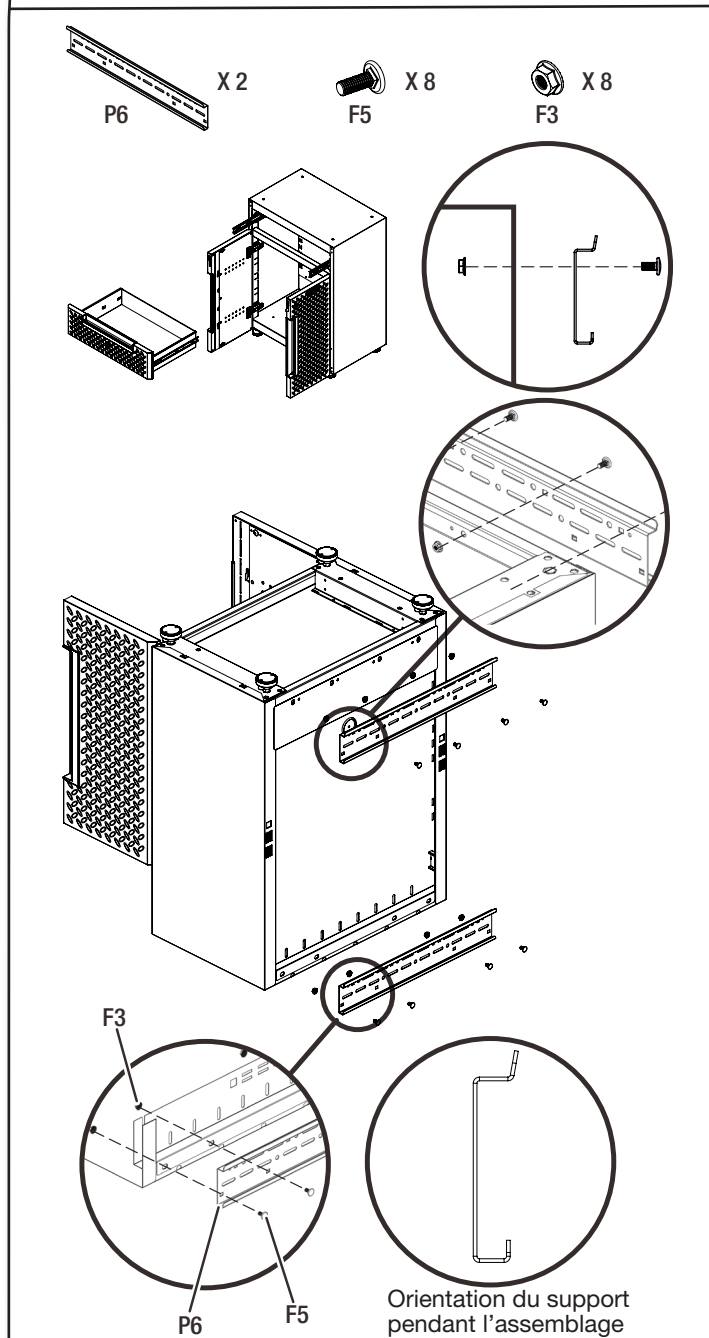
**REMARQUE :** Pour installer les profilés GearTrack® Gladiator®, consulter le manuel d'instructions inclus avec les profilés GearTrack® Gladiator®.

# INSTALLER L'ARMOIRE SUR LES PROFILÉS GEARTRACK® GLADIATOR®

## Installer l'armoire du bas à 1 tiroir et 2 portes de 24 po

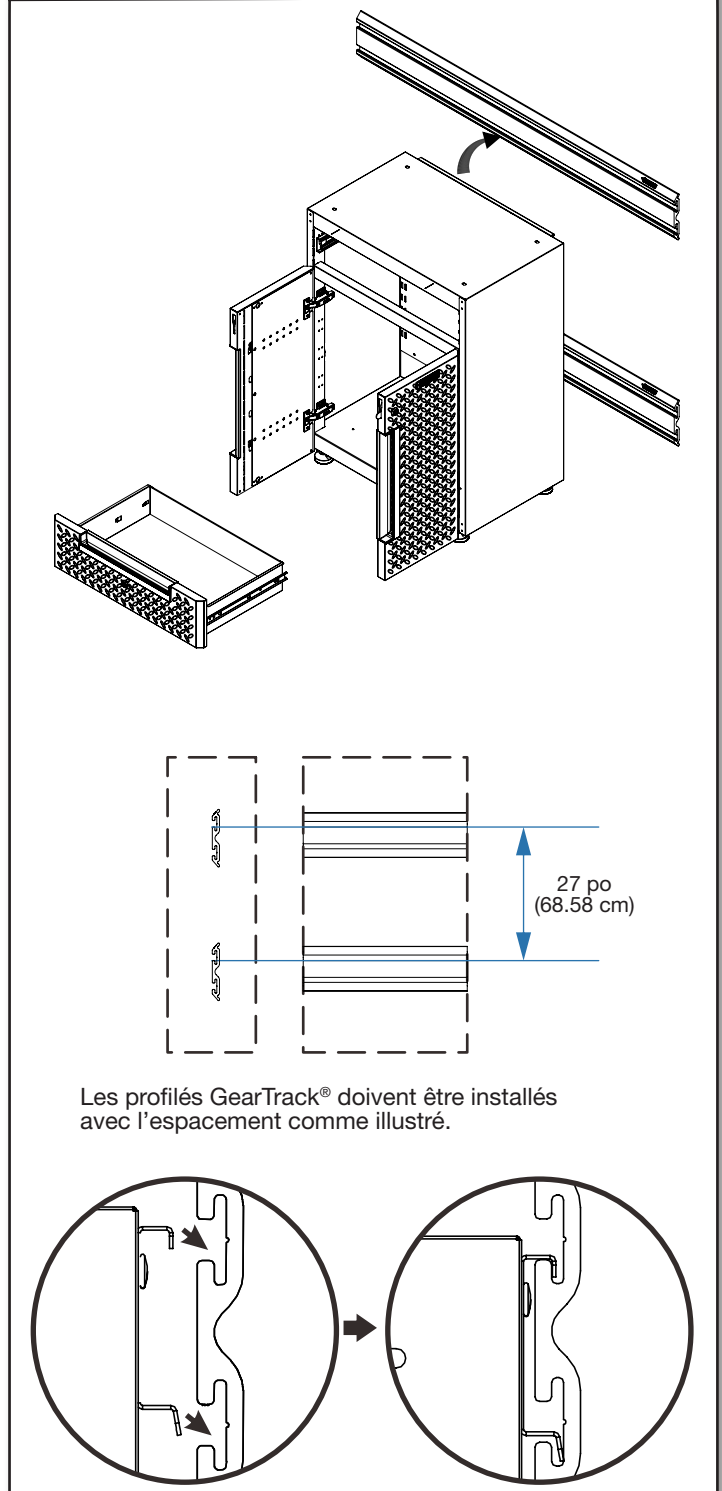
**REMARQUE :** Les supports Gladiator® Flex sont vendus séparément et les profilés GearTrack® Gladiator® sont aussi vendus séparément.

### 1. Installation des supports muraux sur l'armoire.



- Retirer le tiroir de l'armoire du bas. (Consulter les instructions de la page 33)
- Placer temporairement le cabinet du bas à l'envers comme illustré.
- Fixer les supports à l'arrière de l'armoire du bas à l'aide de huit boulons à col carré et tête ronde M6 (F5) et huit écrous à embase M6 (F3).

### 2. Accrocher l'armoire du bas sur les profilés GearTrack®.



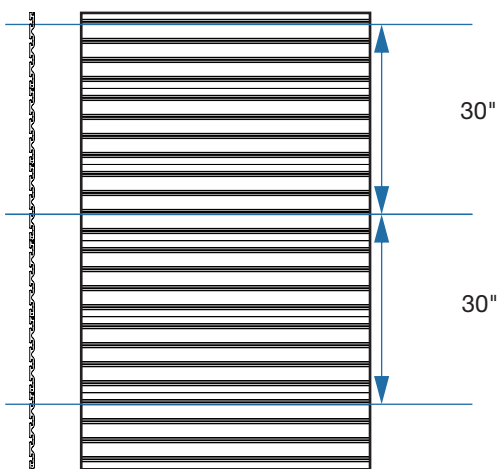
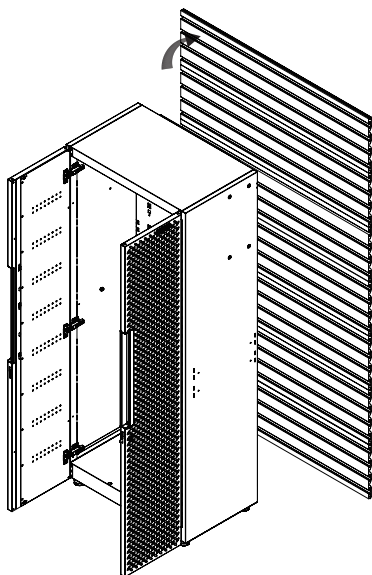
- Vérifier que les deux supports sont parfaitement engagés dans les rainures comme illustré. Réinstaller le tiroir de l'armoire du bas. (Consulter les instructions de la page 33)
- REMARQUE :** Pour installer les profilés GearTrack® Gladiator®, consulter le manuel d'instructions inclus avec les profilés GearTrack® Gladiator®.

# INSTALLER L'ARMOIRE AUX PANNEAUX GEARWALL® GLADIATOR®

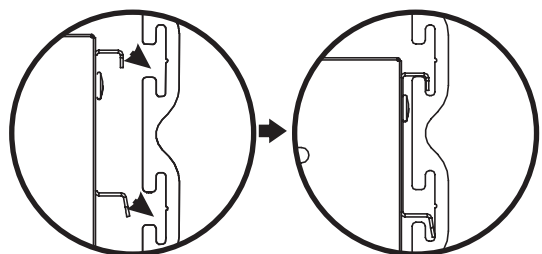
**REMARQUE :** Les supports Gladiator® Flex sont vendus séparément et les panneaux GearWall® Gladiator® sont aussi vendus séparément.

**REMARQUE :** Pour installer les panneaux GearWall® Gladiator®, consulter le manuel d'instructions inclus avec les panneaux GearWall® Gladiator®.

## Installer la grande armoire de 30 po

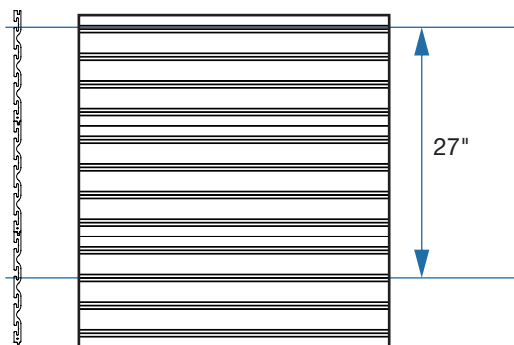
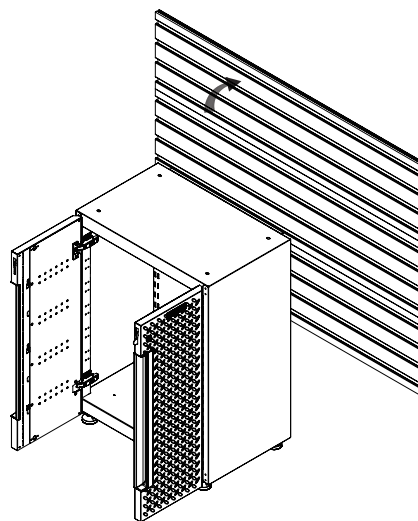


Les panneaux GearWall® doivent être installés avec l'espacement comme illustré.

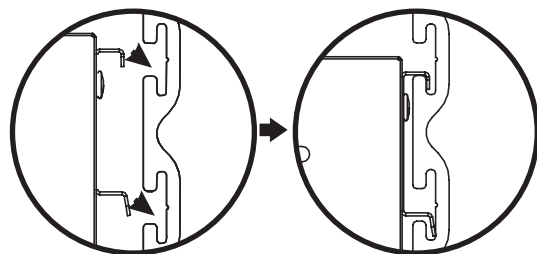


- Installer les trois supports sur la grande armoire. (voir les instructions de la page 31)
- Accrocher la grande armoire sur les panneaux GearWall®.
- Vérifier que les trois supports sont parfaitement engagés dans les rainures comme illustré.

## Installer l'armoire du bas à 2 portes de 24 po



Les panneaux GearWall® doivent être installés avec l'espacement comme illustré.



- Installer deux supports sur l'armoire du bas. (voir les instructions de la page 33)
- Accrocher l'armoire du bas sur les panneaux GearWall®.
- Vérifier que les deux supports sont parfaitement engagés dans les rainures comme illustré.

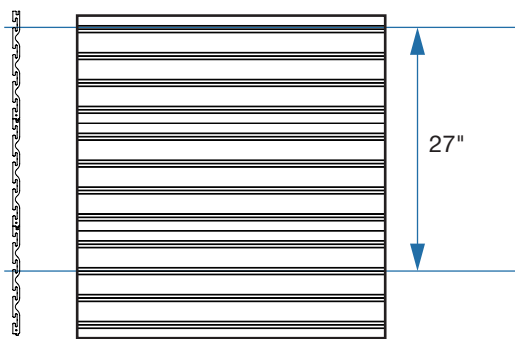
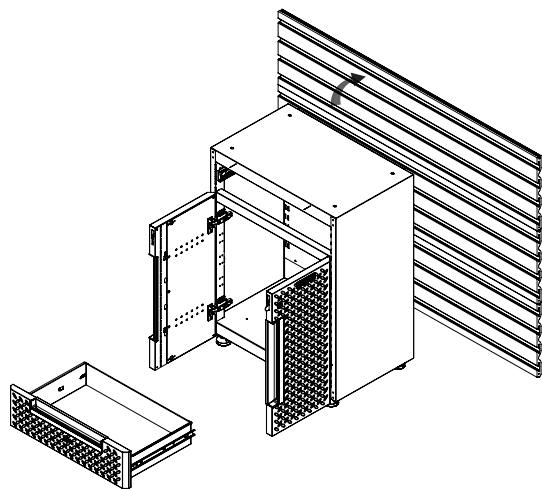


# INSTALLER L'ARMOIRE AUX PANNEAUX GEARWALL® GLADIATOR®

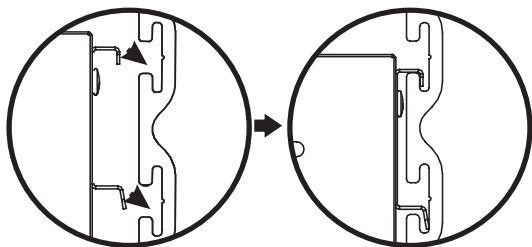
**REMARQUE :** Les supports Gladiator® Flex sont vendus séparément et les panneaux GearWall® Gladiator® sont aussi vendus séparément.

**REMARQUE :** Pour installer les panneaux GearWall® Gladiator®, consulter le manuel d'instructions inclus avec les panneaux GearWall® Gladiator®.

## Installer l'armoire du bas à 1 tiroir et 2 portes de 24 po

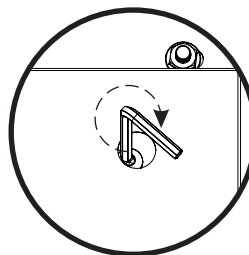
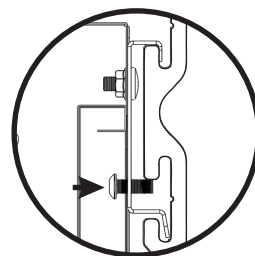
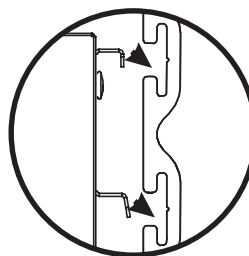
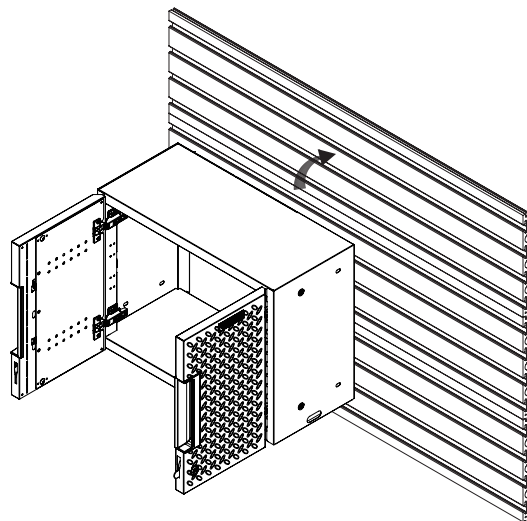


Les panneaux GearWall® doivent être installés avec l'espacement comme illustré.



- Installer deux supports sur l'armoire du bas. (voir les instructions de la page 34)
- Accrocher l'armoire du bas sur les panneaux GearWall®.
- Vérifier que les deux supports sont parfaitement engagés dans les rainures comme illustré. Réinstaller le tiroir de l'armoire du bas. (Consulter les instructions de la page 37)

## Installer l'armoire murale de 24 po



Serrer les vis à tête hexagonale M6 x 16 de l'intérieur de l'armoire murale

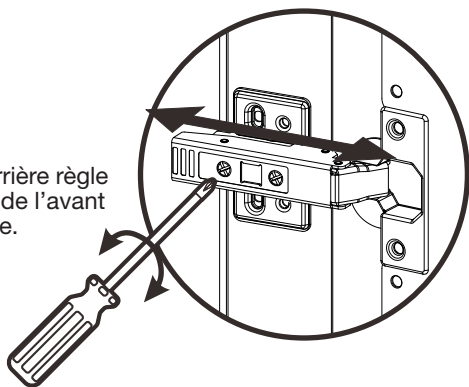
- Installer le support sur l'armoire murale. (voir les instructions de la page 32)
- Accrocher l'armoire murale sur les panneaux GearWall®.
- Vérifier que le support est parfaitement engagé dans les rainures murales. Serrer complètement les vis à tête hexagonale M6 x 16 déjà mises en place sur le support et s'assurer qu'elles pénètrent dans les rainures murales.

# RÉGLAGE DE LA PORTE

## Réglage de la porte (au besoin)

### Régler la porte de l'avant à l'arrière (au besoin)

La vis arrière règle la porte de l'avant à l'arrière.



Vue du dessus de l'armoire



De niveau

Vue du dessus de l'armoire

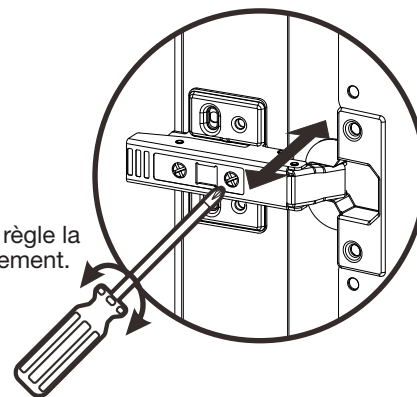


Pas de niveau

- Visser la vis intérieure de la charnière pour fermeture douce pour corriger l'espace entre les portes et la caisse. S'assurer que la porte est toujours de niveau.

### Régler la porte latéralement (au besoin)

La vis avant règle la porte latéralement.



Vue du dessus de l'armoire



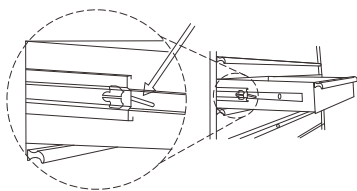
- Visser la vis extérieure de la charnière pour fermeture douce pour corriger l'espace entre les portes. S'assurer que la porte est toujours de niveau.

# RETRAIT ET RÉINSTALLATION DU TIROIR

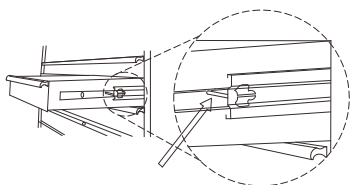
## Retrait et réinstallation du tiroir

### Retrait et réinstallation du tiroir

Pousser vers le bas sur un côté



Tirer vers le haut sur l'autre côté



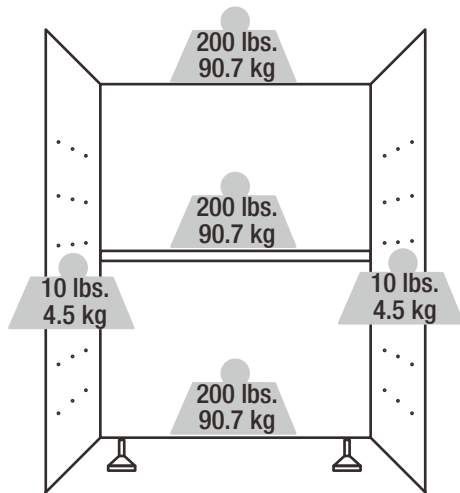
### RETRAIT DU TIROIR

Vider le tiroir. Tirer le tiroir pour l'ouvrir presque complètement. Il y a deux leviers de dégagement noirs, un de chaque côté du tiroir. Tirer vers le haut le levier d'un côté tout en poussant vers le bas le levier de l'autre côté. Tout en tenant les leviers dans ces positions, tirer le tiroir vers l'extérieur jusqu'à ce qu'il soit dégagé des glissières de tiroir.

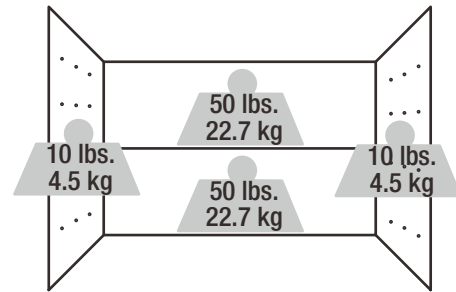
### RÉINSTALLATION DU TIROIR

Sortir les glissières de tiroir de l'armoire. Insérer les supports de chaque côté du tiroir dans les fentes des glissières en faisant attention de bien les positionner. Une fois bien insérés, fermer complètement le tiroir pour remettre les glissières dans leur bonne position.

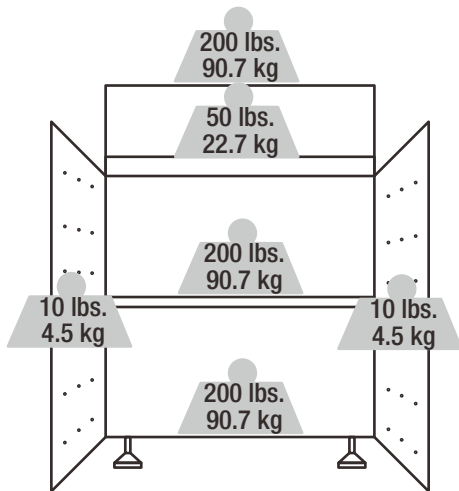
# CAPACITÉ DE CHARGE



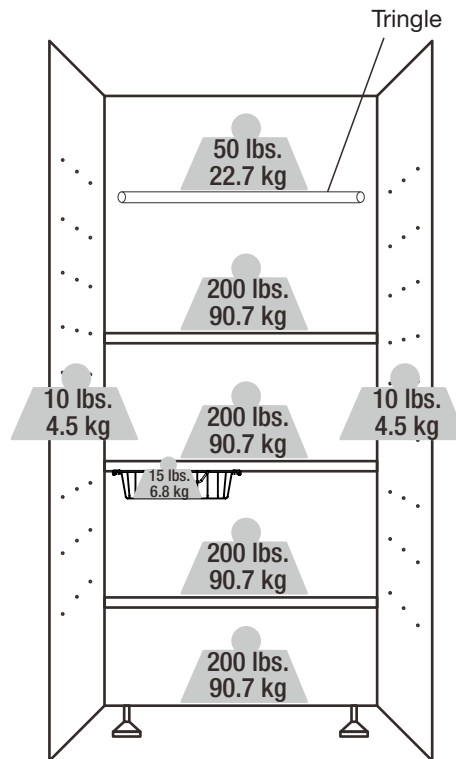
Armoire du bas à  
2 portes de 24 po  
Max. 620 lb



Armoire murale  
de 24 po Max.  
120 lb



Armoire du bas à  
1 tiroir et 2 portes  
de 24 po Max.  
670 lb



Grande armoire de 30 po  
Max. 870 lb  
(La capacité de charge maximum  
de l'étagère comprend le poids  
du panier et la charge à l'intérieur  
du panier)



---

## ENTRETIEN

- Vérifier régulièrement le serrage de toutes les vis et tous les écrous. Les serrer au besoin.
- Vérifier périodiquement le serrage de la sangle de mur. La serrer au besoin.

---

## SOINS ET NETTOYAGE

- Nettoyer périodiquement les surfaces avec un torchon doux et de l'eau.
- La graisse et l'huile peuvent être enlevées avec la majorité des liquides nettoyants ordinaires. Utiliser un liquide de nettoyage ininflammable.

---

## ACCESSOIRES GLADIATOR® FLEX

Pour commander des accessoires, composez le **1 866 342-4089** et effectuez vos demandes en consultant la liste suivante de numéros de pièces des accessoires ou communiquez avec votre détaillant Gladiator® GarageWorks autorisé. Au Canada, composer le **1 800 807-6777**. **Support de Flex (commander le numéro de pièce GANA201BMS)** – Permet de monter l'armoire sur des profilés GearTrack® Gladiator®.

**Trousse de roulettes Gladiator® Flex (commander le numéro de pièce GANA04CKMX)**

**Trousse de panier Gladiator® Flex (commander le numéro de pièce GANA12SBMB)**

**Plan de travail Gladiator® Flex (commander le numéro de pièce GANA24HWMX)**

---

## GARANTIE

Pour des informations sur la garantie :

Aux États-Unis, composer le **1-866-342-4089** ou visiter notre site Web à l'adresse

**[www.gladiatorgarageworks.com](http://www.gladiatorgarageworks.com)**

Au Canada, composer le **1 800 807-6777** ou visiter notre site Web à l'adresse

**[www.gladiatorgarageworks.ca](http://www.gladiatorgarageworks.ca)**

# SEGURIDAD DEL GABINETE

## Su seguridad y la seguridad de los demás es muy importante.

Hemos incluido muchos mensajes importantes de seguridad en este manual y en su el producto. Lea y obedezca siempre todos los mensajes de seguridad.



Este es el símbolo de alerta de seguridad.

Este símbolo le llama la atención sobre peligros potenciales que pueden ocasionar la muerte o una lesión a usted y a los demás.

Todos los mensajes de seguridad irán a continuación del símbolo de advertencia de seguridad y de la palabra "PELIGRO" o "ADVERTENCIA". Estas palabras significan:

**⚠ PELIGRO**

Si no sigue las instrucciones de inmediato, usted puede morir o sufrir una lesión grave.

**⚠ ADVERTENCIA**

Si no sigue las instrucciones, usted puede morir o sufrir una lesión grave.

Todos los mensajes de seguridad le dirán el peligro potencial, le dirán cómo reducir las posibilidades de sufrir una lesión y lo que puede suceder si no se siguen las instrucciones.

Para reducir el riesgo de lesiones graves, lea y siga las siguientes instrucciones de seguridad antes de montar y utilizar este producto. Este producto está diseñado para su uso en el garaje.

## ⚠ ADVERTENCIA

### Peligro de Peso Excesivo

Use dos o más personas para mover e instalar la gabinete.

No seguir esta instrucción puede ocasionar una lesión en la espalda u otro tipo de lesiones.

## ⚠ ADVERTENCIA



### Peligro de vuelco

Un niño o un adulto puede volcar el gabinete y morir.

Cierre firmemente y bloquee las puertas y cajones antes de mover el gabinete.

El no hacerlo puede resultar en lesiones graves o la muerte.

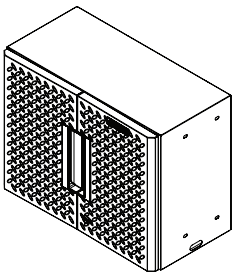
## INSTRUCCIONES DE SEGURIDAD IMPORTANTES

- El producto está diseñado para su uso en el garaje.
- Cierre y trabe las puertas y el cajón antes de mover este producto.
- Se recomienda siempre fijar los gabinetes a la pared con la correa y el soporte de pared suministrados.
- NO ponga nada en el panel superior del gabinete de pared o del gabinete alto.
- Si los gabinetes bajos tienen ruedas, retire todos los objetos de la parte superior de los gabinetes antes de moverlos.

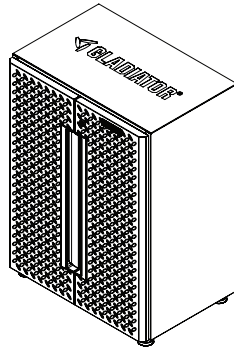
**GUARDE ESTAS INSTRUCCIONES**

# SISTEMAS DE GABINETE GLADIATOR® FLEX

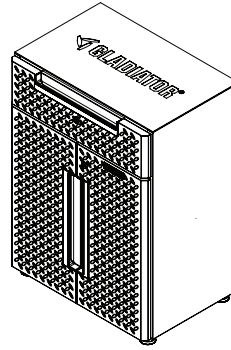
## GABINETES



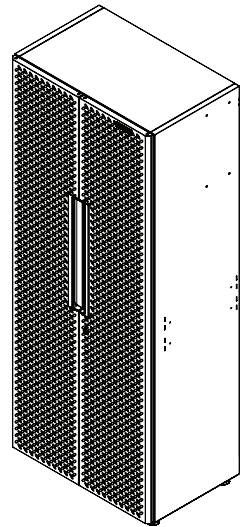
Gabinete de pared de 24"



Gabinete bajo de 24" con 2 puertas

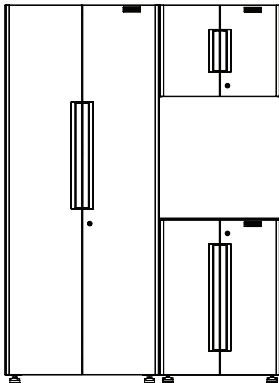


Gabinete bajo de 24" Gabinete bajo con 2 puertas



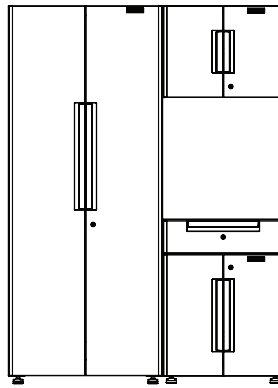
Gabinete alto de 30"

## SUITES



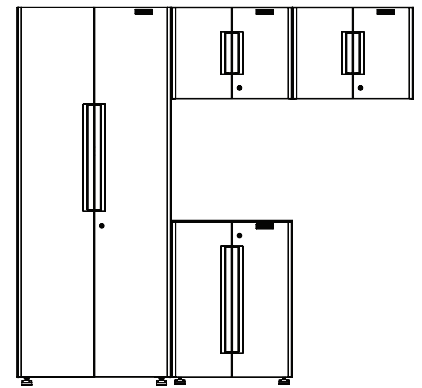
SKU: GANF03WFMTS

Gabinetes incluidos	
Descripción	Cantidad
Gabinete alto de 30"	1
Gabinete de pared de 24"	1
Gabinete bajo de 24" con 2 puertas	1



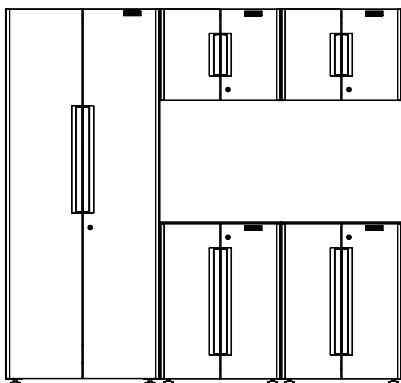
SKU: GANF03WDMTS

Gabinetes incluidos	
Descripción	Cantidad
Gabinete alto de 30"	1
Gabinete de pared de 24"	1
Gabinete bajo de 24" con 1 cajón y 2 puertas	1



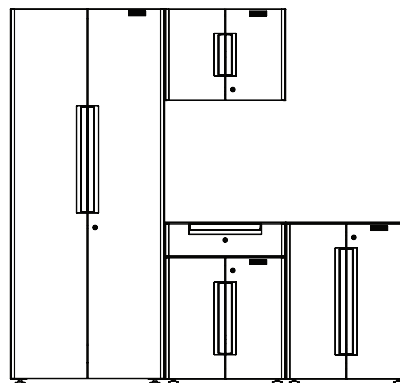
SKU: GANF04WFMTS

Gabinetes incluidos	
Descripción	Cantidad
Gabinete alto de 30"	1
Gabinete de pared de 24"	2
Gabinete bajo de 24" con 2 puertas	1



SKU: GANF05WFMTS

Gabinetes incluidos	
Descripción	Cantidad
Gabinete alto de 30"	1
Gabinete de pared de 24"	2
Gabinete bajo de 24" con 2 puertas	2

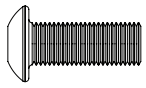


SKU: GANF04WCMTS

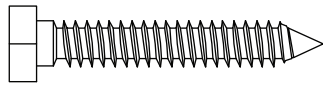
Gabinetes incluidos	
Descripción	Cantidad
Gabinete alto de 30"	1
Gabinete de pared de 24"	1
Gabinete bajo de 24" con 2 puertas	1
Gabinete bajo de 24" con 1 cajón y 2 puertas	1

# TORNILLERÍA Y PIEZAS

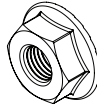
**NOTA:** La tornillería no se muestra a tamaño real. Toda la tornillería está empaquetada en la caja de tornillería, incluida la barra del gabinete.



F1



F2



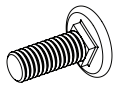
F3



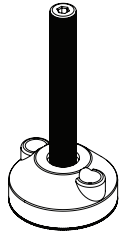
F4



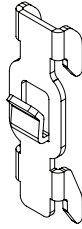
P1



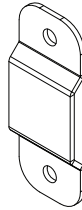
F5



P2



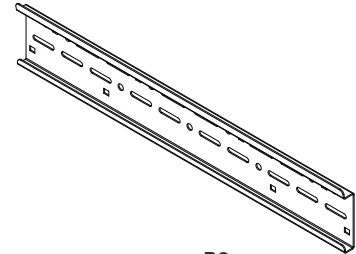
P3



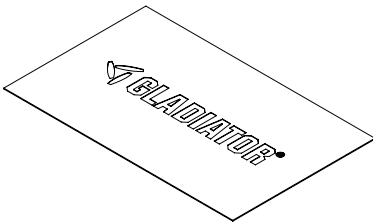
P4



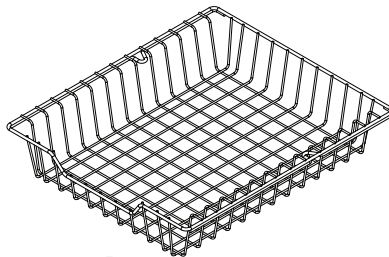
P5



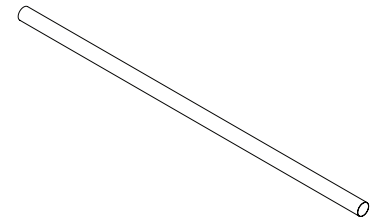
P6



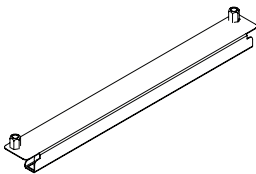
P7



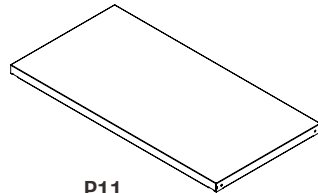
P8



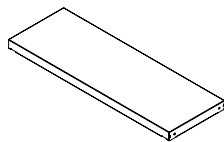
P9



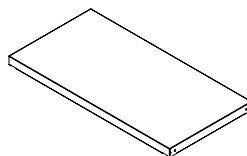
P10



P11



P12



P13



P14

No.	Descripción
F1	Tornillo de cabeza hueca hexagonal M6 x 16
F2	Tornillo de rosca hexagonal M6 x 40
F3	Tuerca de brida M6
F4	Lavadora
F5	Tornillo M6 de cabeza redonda y cuello cuadrado
P1	Correa de pared
P2	Pata ajustable
P3	Soporte de estante
P4	Soporte de pared
P5	Aro de refuerzo
P6	Soporte de montaje
P7	Alfombra superior para gabinete bajo
P8	Canasta
P9	Barra para gabinete alto
P10	Pista de canastas
P11	Estante para gabinete alto
P12	Estante para gabinete de pared
P13	Estante para el gabinete bajo
P14	Tecla

# INSTRUCCIONES DE ENSAMBLAJE

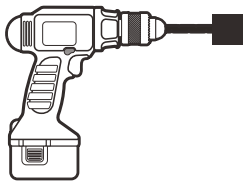
## Herramientas requeridas

- Reúna las herramientas y las piezas necesarias antes de comenzar la instalación.
- Lea y siga las instrucciones incluidas con las herramientas necesarias.

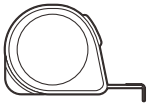
### Herramientas necesarias:



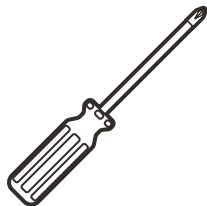
Llave hexagonal (incluida)



Taladro con una broca hexagonal de 10 mm (no incluida)



Cinta métrica (no incluida)

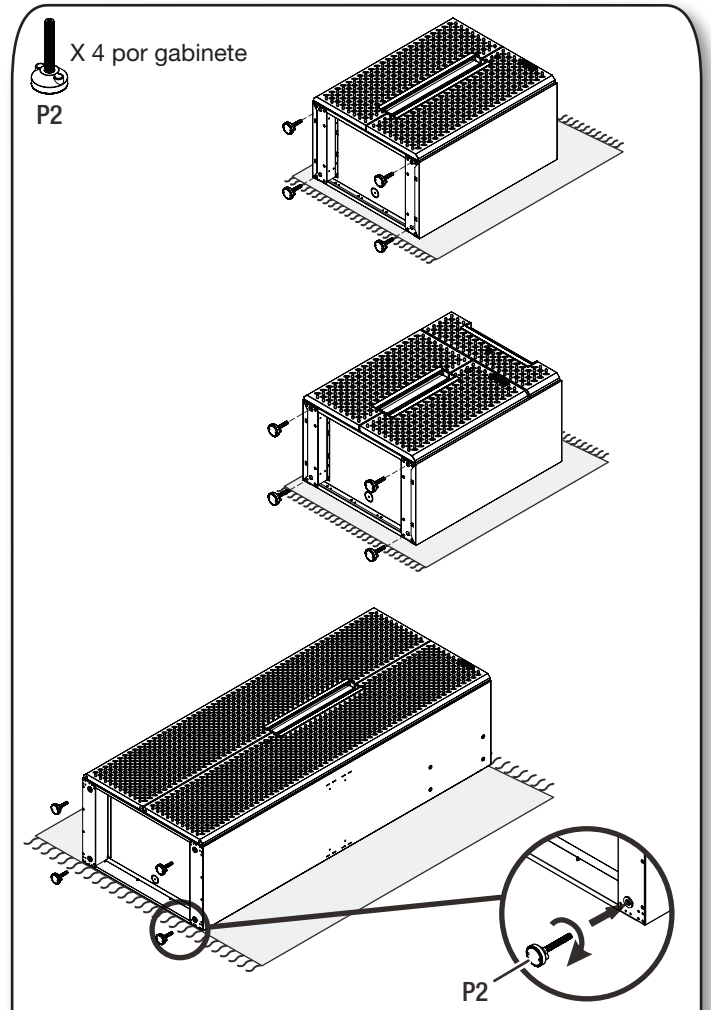


Destornillador de cabeza Phillips n.º 2 (no incluido)

## 1. Instale los pies ajustables

- Cierre y asegure las puertas del gabinete.

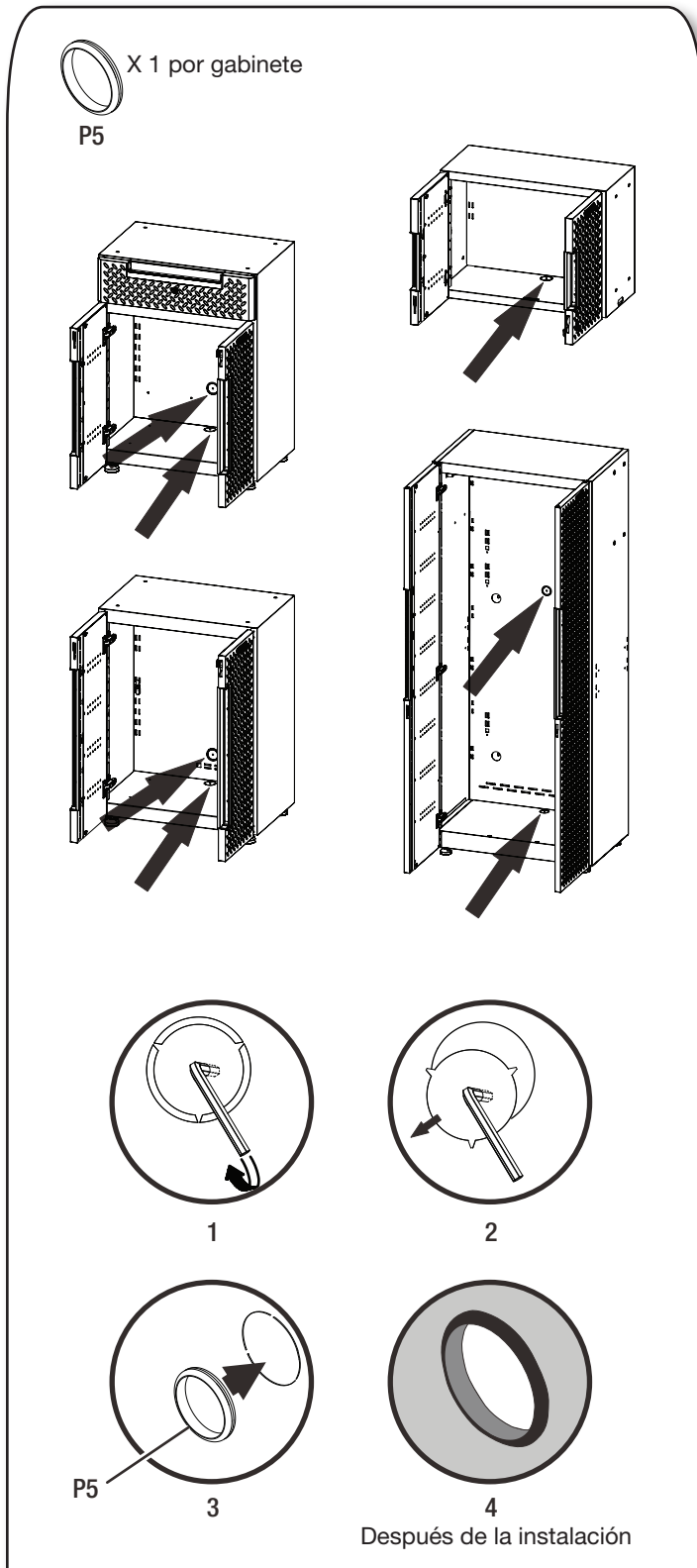
**NOTA:** Si necesita abrir las puertas del gabinete durante el montaje de las patas ajustables, ábralas lentamente y no ponga ningún peso sobre las puertas abiertas. Esto evita que se dañen las bisagras.



- Se necesitan dos personas para completar el ensamblaje. Coloque el embalaje de cartón suministrado en el suelo y coloque los gabinetes en posición horizontal (con las puertas hacia arriba).
- Instale 4 patas ajustables en la parte inferior de cada gabinete bajo y alto como se muestra

# INSTRUCCIONES DE ENSAMBLAJE

## 2. Instale las arandelas para la gestión de cables (opcional)

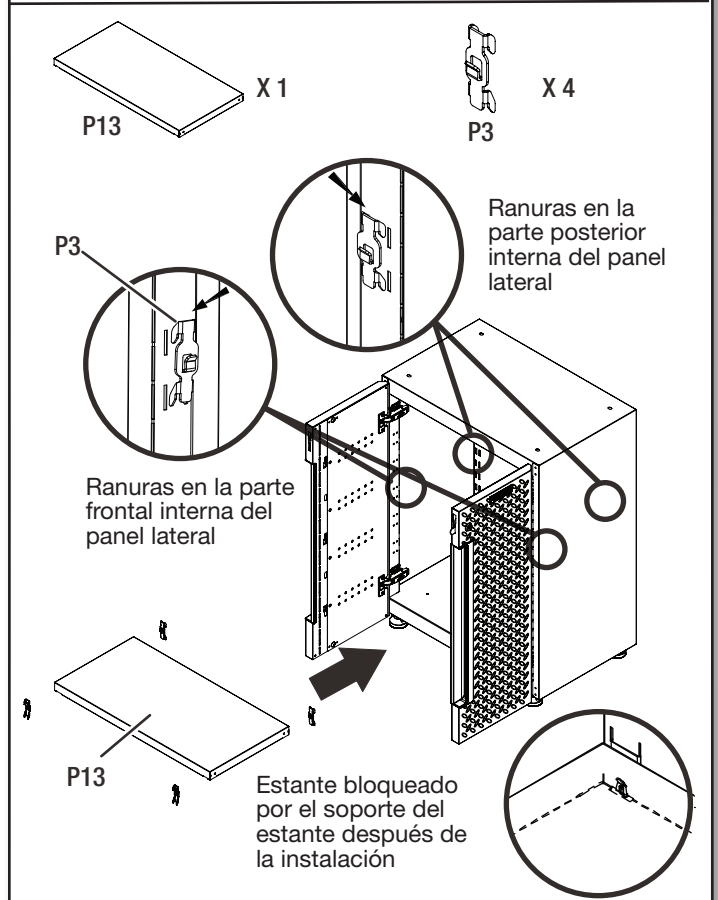


- Utilice el lado corto de la llave hexagonal para perforar los agujeros de acceso al cable que desee.
- A continuación, instale las arandelas en esos agujeros.

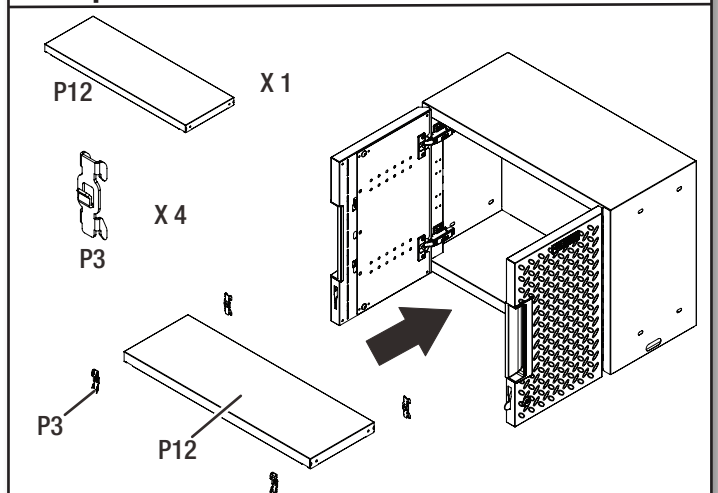
## 3. Instale los estantes

- Introduzca los soportes de los estantes en las ranuras a la altura deseada y coloque los estantes sobre los soportes de los estantes.
- Asegúrese de que los cuatro soportes de los estantes están instalados a la misma altura.

### 3a. Instale el estante en el gabinete bajo de 2 puertas.

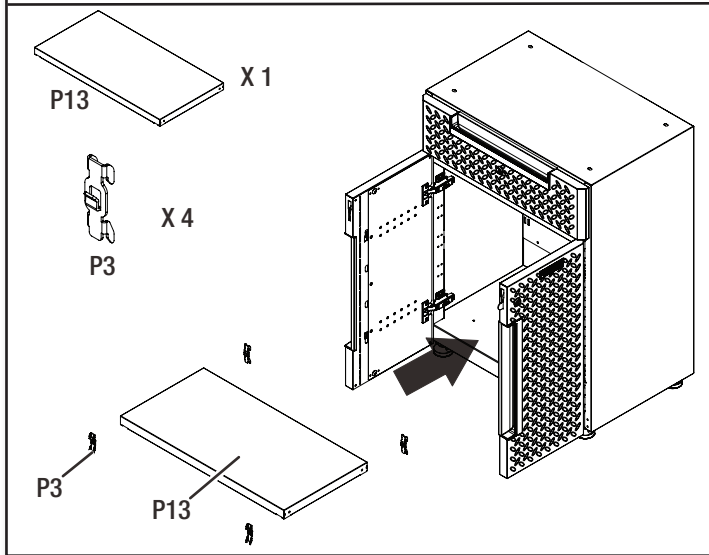


### 3b. Instale el estante en el gabinete de pared.



# INSTRUCCIONES DE ENSAMBLAJE

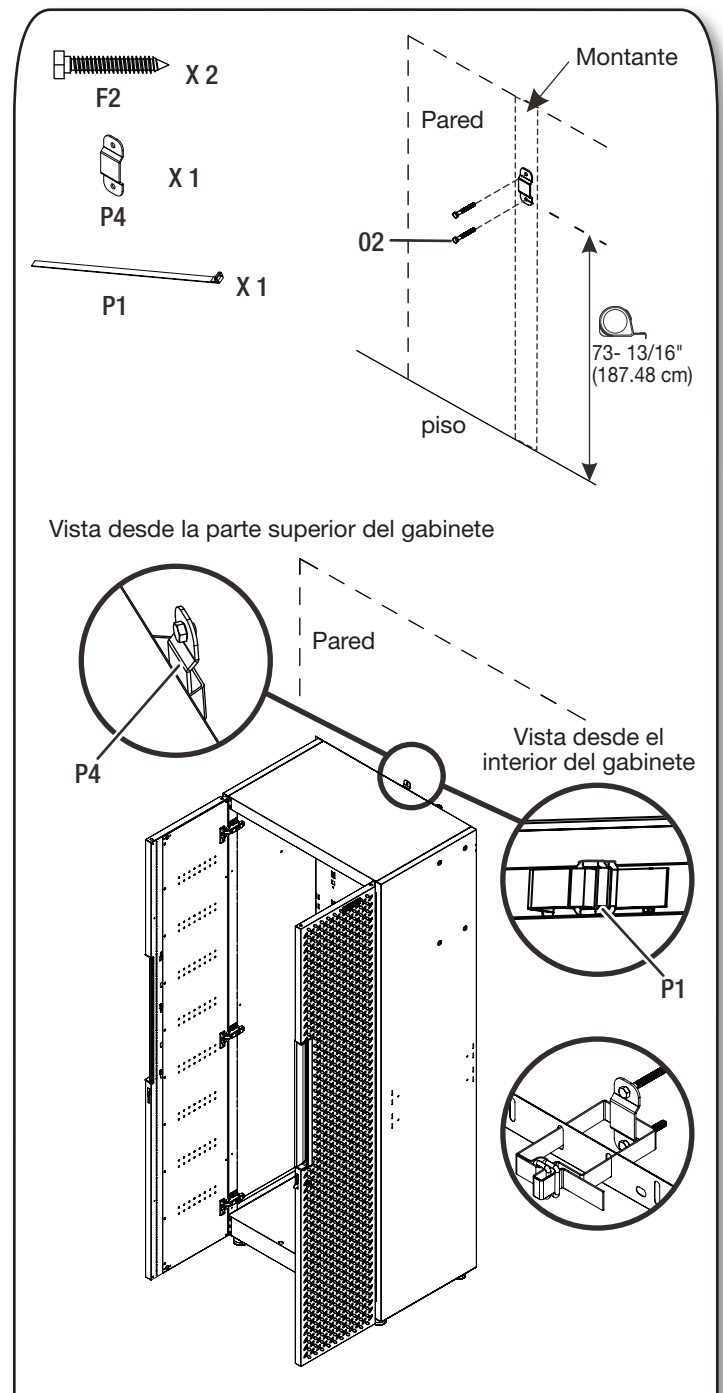
## 3c. Instale el estante en el gabinete bajo con 1 cajón y 2 puertas.



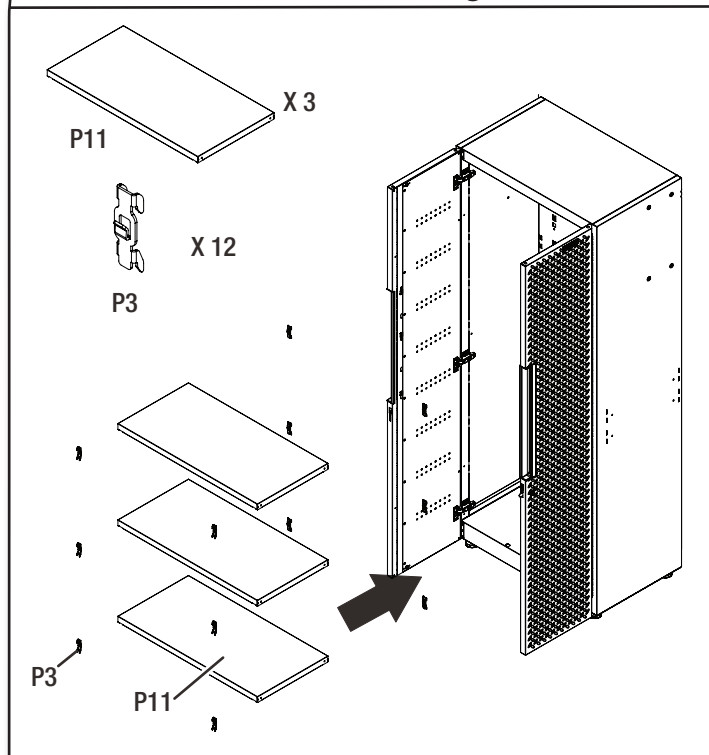
## 4. Conecte el gabinete alto a la pared

**NOTA:** Estas instrucciones son para fijar los gabinetes directamente a la pared. Para fijar los gabinetes a los canales Gladiator® GearTrack®, consulte la página 46.

**IMPORTANTE:** Los tornillos de rosca hexagonal M6 x 40 deben perforarse en un montante de la pared.



## 3d. Instale los estantes en el gabinete alto.



- Atornille el soporte de pared con dos tornillos de rosca hexagonal M6 x 40 (F2) a un montante de pared. Fije el gabinete alto utilizando la correa de pared para atar el gabinete alto y el soporte de pared.

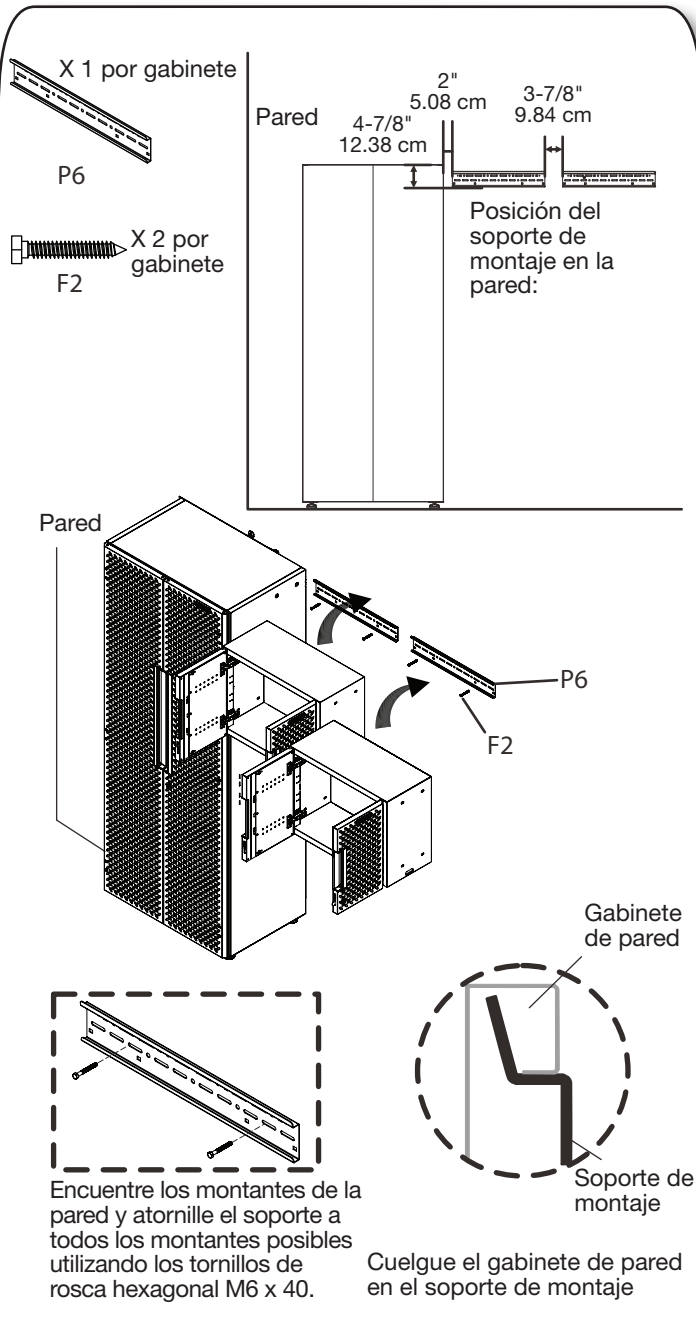


# INSTRUCCIONES DE ENSAMBLAJE

## 5. Conecte los gabinetes de pared a la pared

**NOTA:** Estas instrucciones son para fijar el gabinete de pared directamente a la pared. Para fijar el gabinete de pared a los canales Gladiator® GearTrack®, consulte la página 46.

**IMPORTANTE:** Los tornillos de rosca hexagonal M6 x 40 deben perforarse en un montante de la pared.

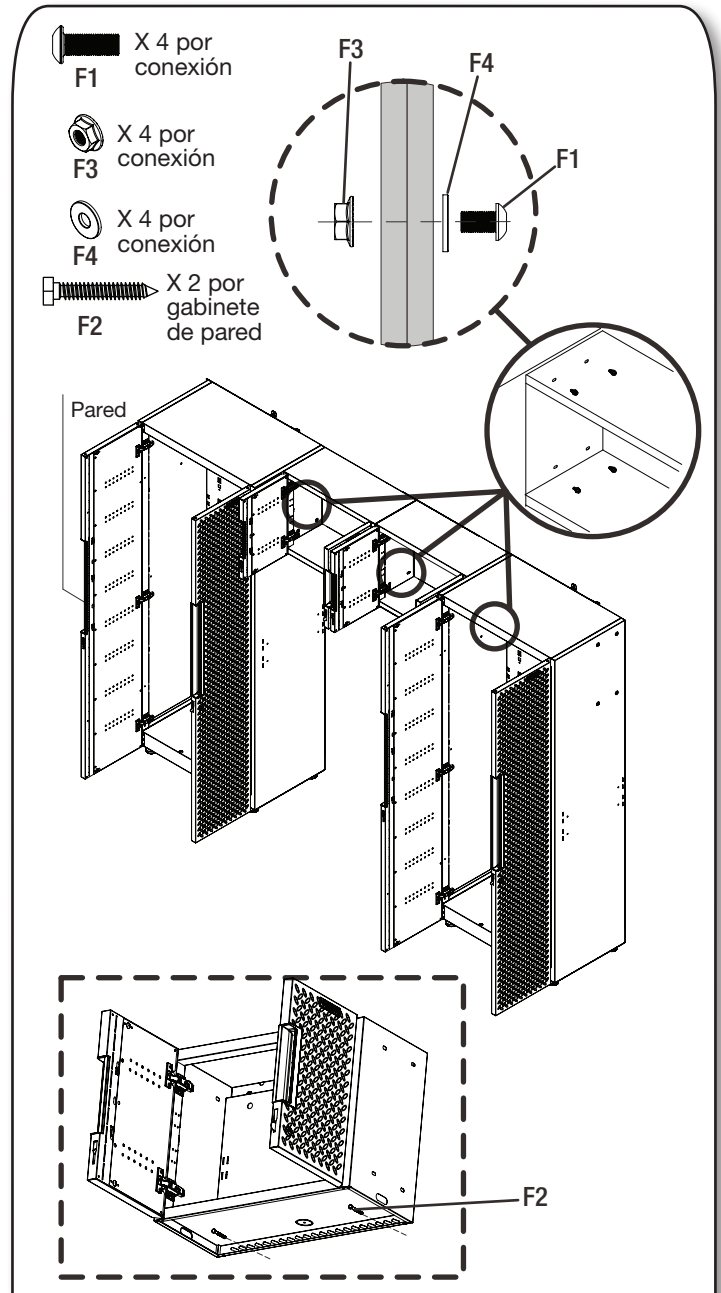


- La distancia entre el borde superior del gabinete y el borde inferior del soporte debe ser de 4-7/8".
- La distancia entre el gabinete y el soporte debe ser de 2".
- La distancia entre los soportes debe ser de 3-7/8".

## 6. Conecte los gabinetes de pared a los gabinetes contiguos

**IMPORTANTE:** Los tornillos de rosca hexagonal M6 x 40 deben perforarse en un montante de la pared.

**NOTA:** Este es un ejemplo para mostrarle cómo construir su sistema conectando varios gabinetes (se venden por separado).



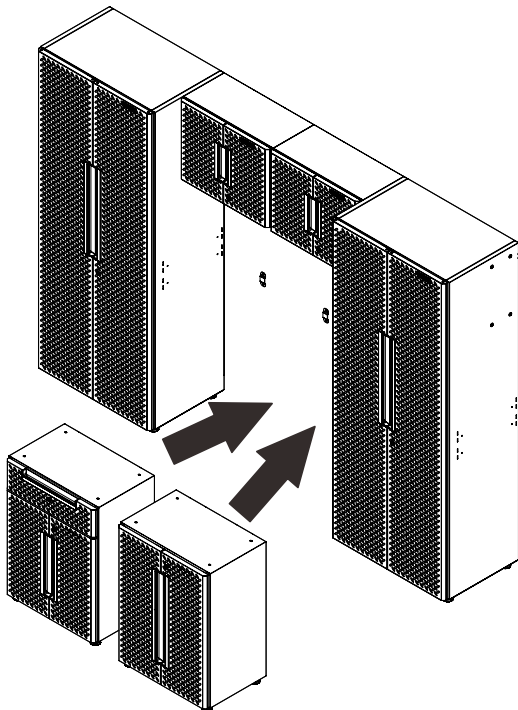
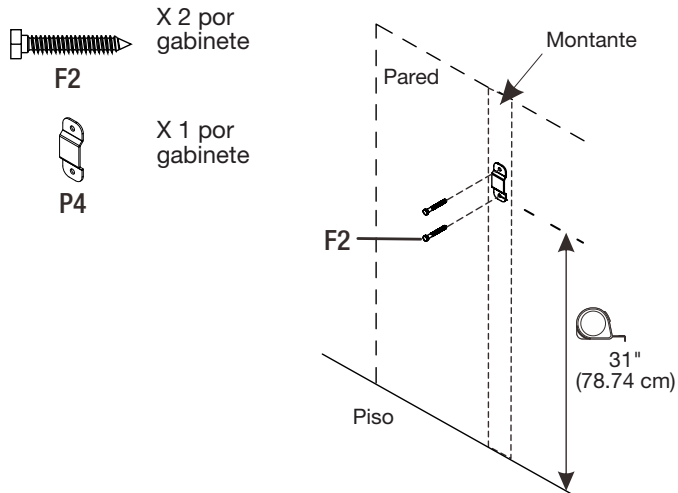
- Conecte los gabinetes de pared como se muestra y apriételos firmemente con cuatro tornillos de cabeza hueca hexagonal M6 x 16 (F1), cuatro tuercas (F3) y cuatro arandelas (F4) para cada lado.
- Fije la parte inferior de cada gabinete de pared a los montantes de la pared con dos tornillos de rosca hexagonal M6 x 40 (F2).

# INSTRUCCIONES DE ENSAMBLAJE

## 7. Coloque los gabinetes bajos

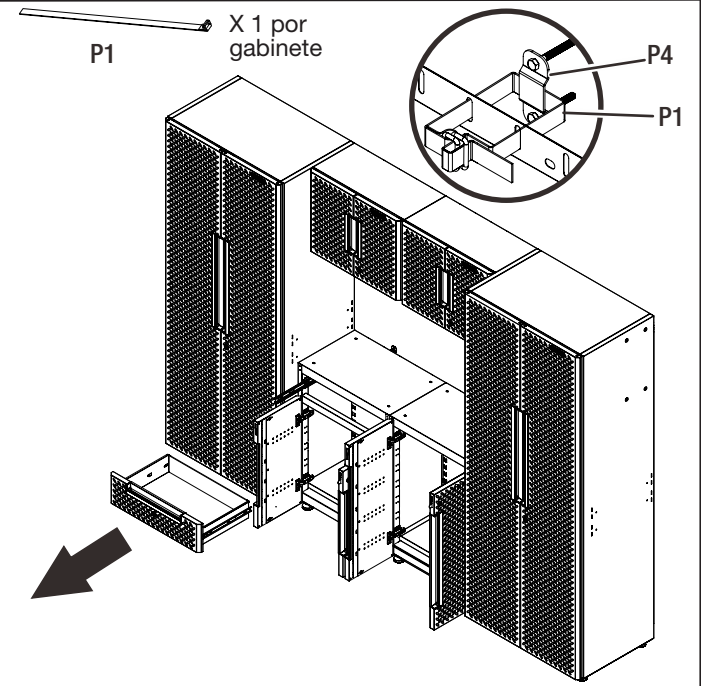
**IMPORTANTE:** Los tornillos de rosca hexagonal M6 x 40 deben perforarse en un montante de la pared.

### 7a. Instale el soporte de pared.



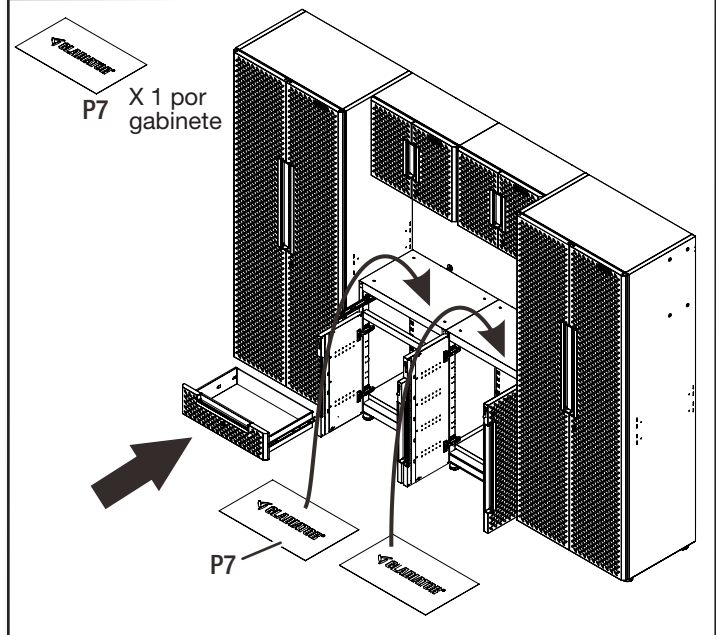
- Atornille el soporte de pared de cada gabinete bajo con dos tornillos de rosca hexagonal M6 x 40 (F2) a un montante de pared.

### 7b. Ate el gabinete bajo y el soporte de pared.



- Retire el cajón del gabinete bajo con 1 cajón y 2 puertas. (ver instrucciones en la página 50)
- Fije el gabinete bajo utilizando la correa de pared para atar el gabinete bajo y el soporte de pared.

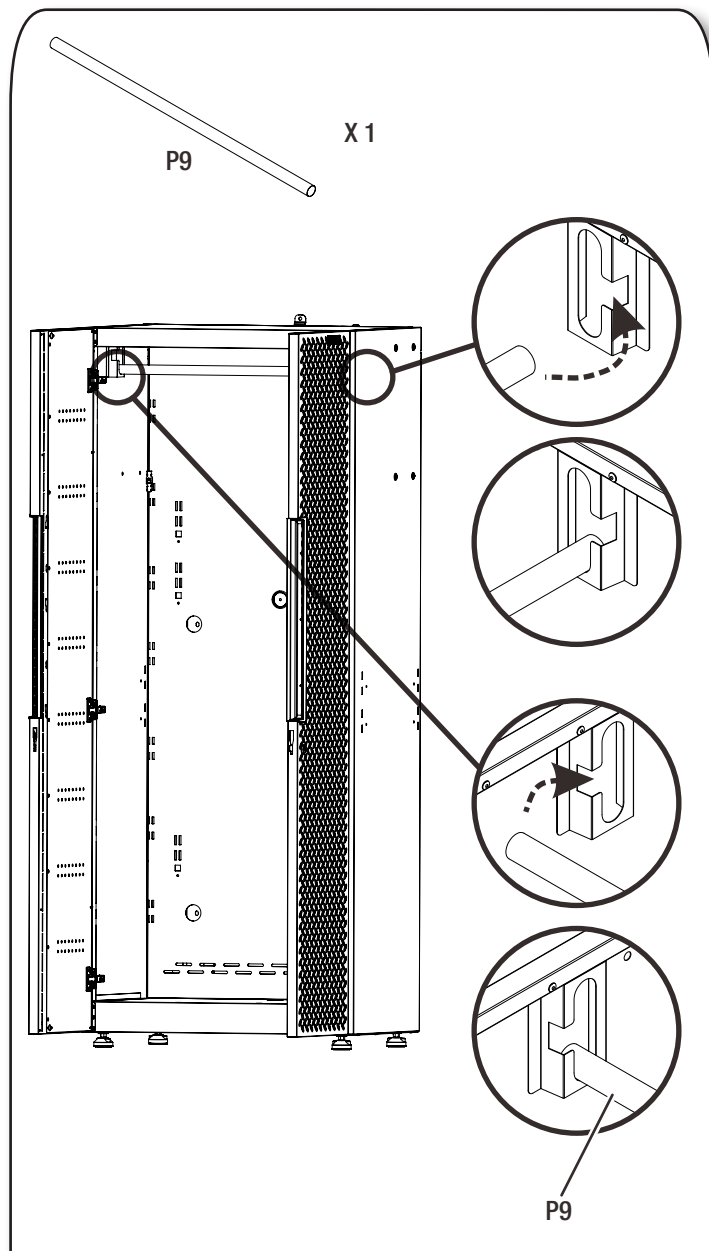
### 7c. Instale el cajón y coloque las alfombras superiores.



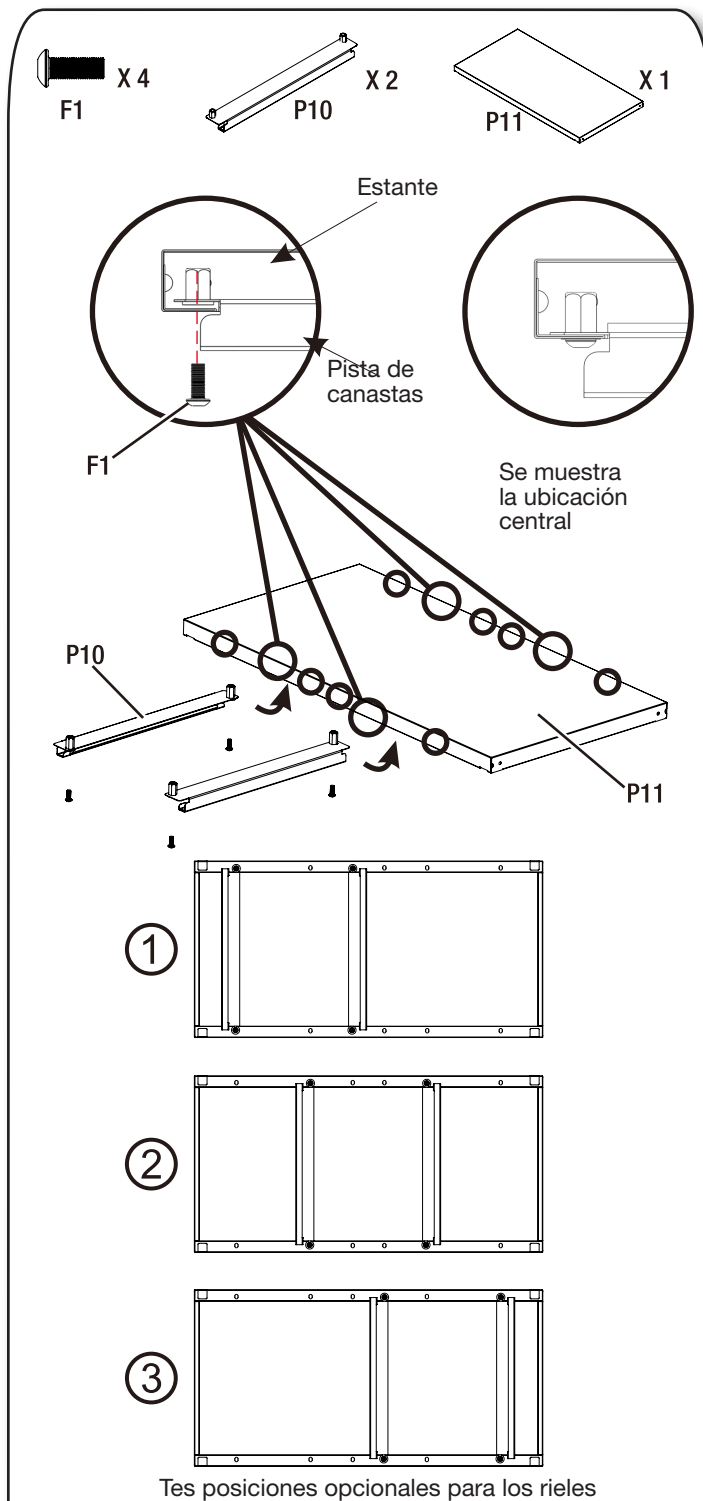
- Vuelva a instalar el cajón en el gabinete bajo con 1 cajón y 2 puertas. (ver instrucciones en la página 50)
- Coloque las alfombras superiores sobre los gabinetes bajos.

# INSTRUCCIONES DE ENSAMBLAJE

## 8. Instale la barra en el gabinete alto



## 9. Instale los rieles de canasta en el gabinete alto

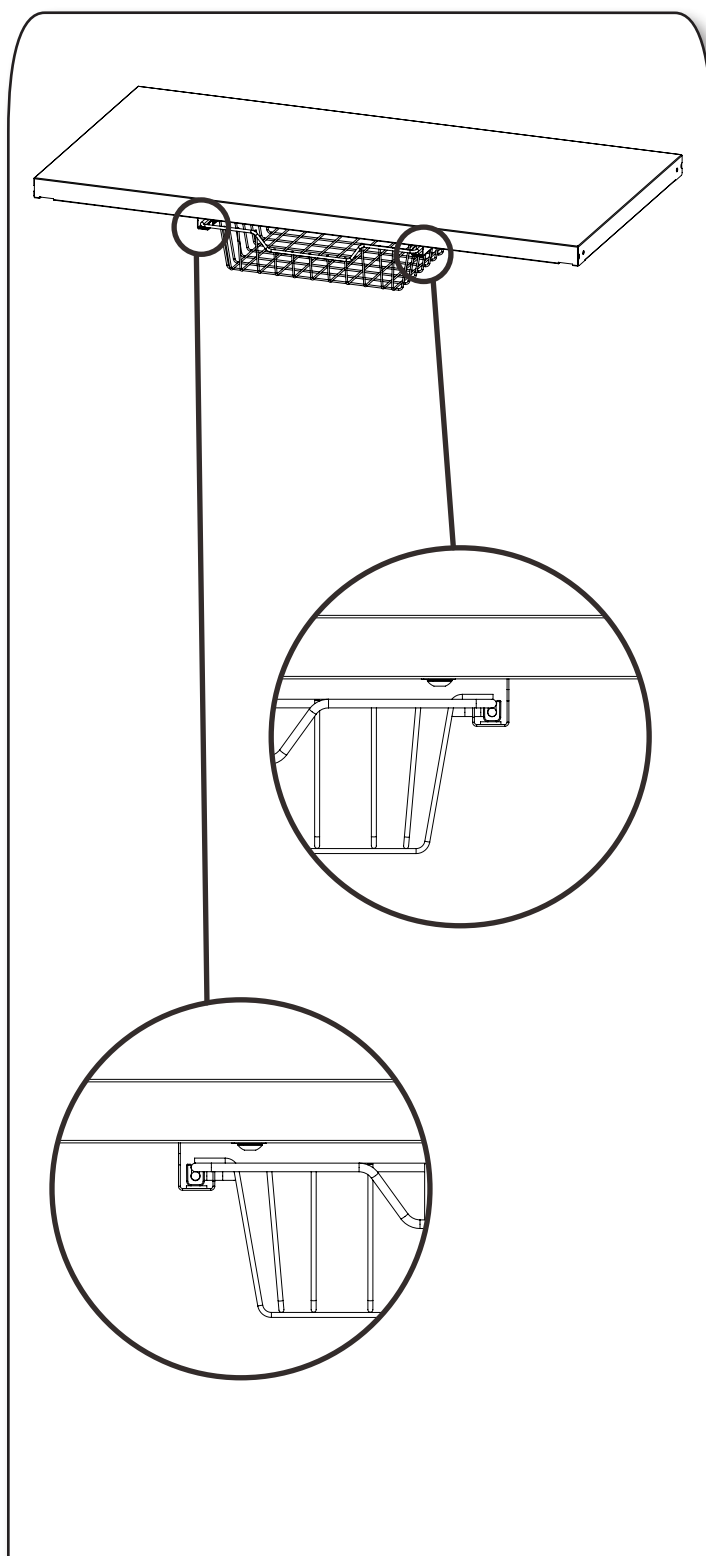
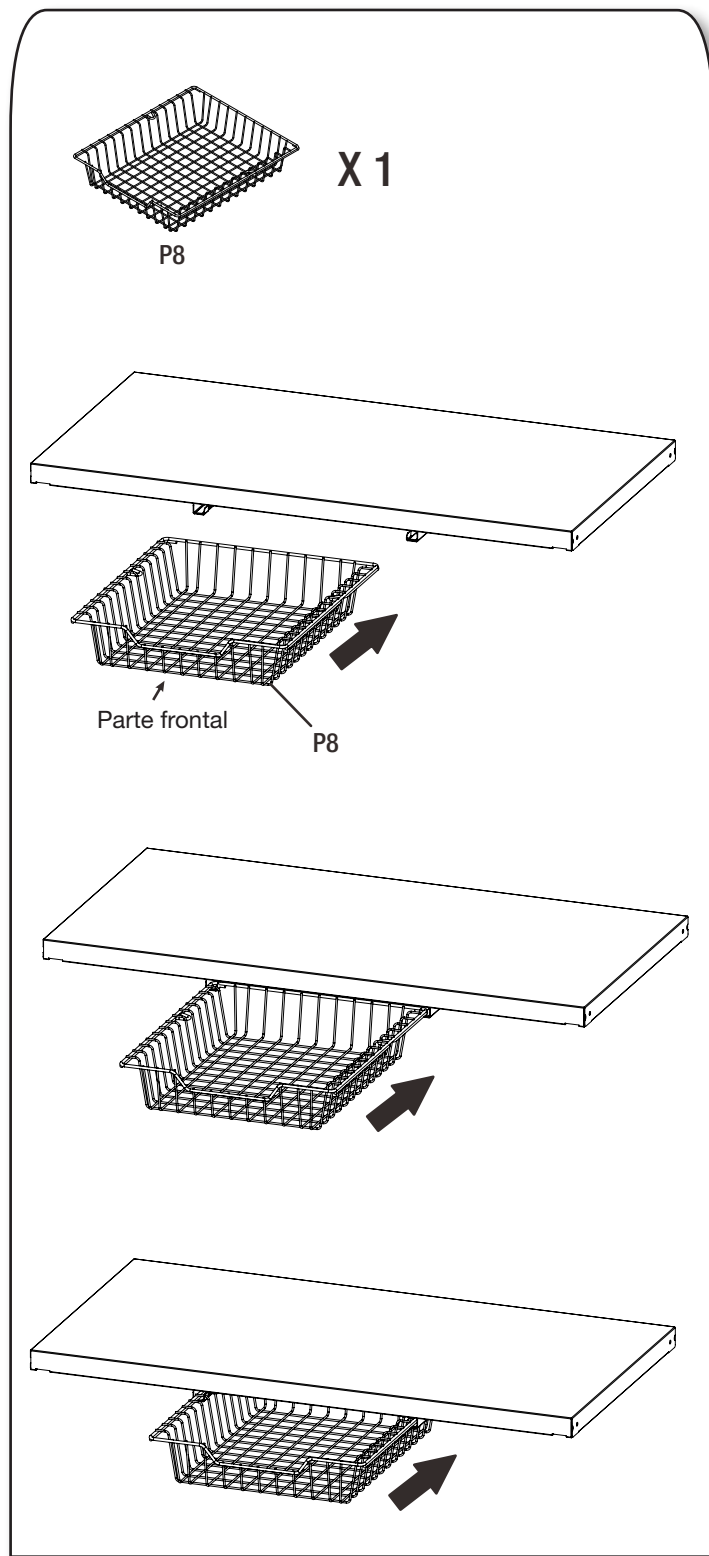


- Instale dos rieles en el fondo del estante del gabinete alto con cuatro tornillos de cabeza hueca hexagonal M6 x 16 (F1).

**NOTA:** Cada gabinete alto se incluye con una canasta. Hay disponibles juegos de canastas Flex para compra para crear más opciones de almacenamiento. Pueden ponerse dos canastas lado a lado debajo del estante del gabinete alto.

# INSTRUCCIONES DE ENSAMBLAJE

## 10. Instale la canaste



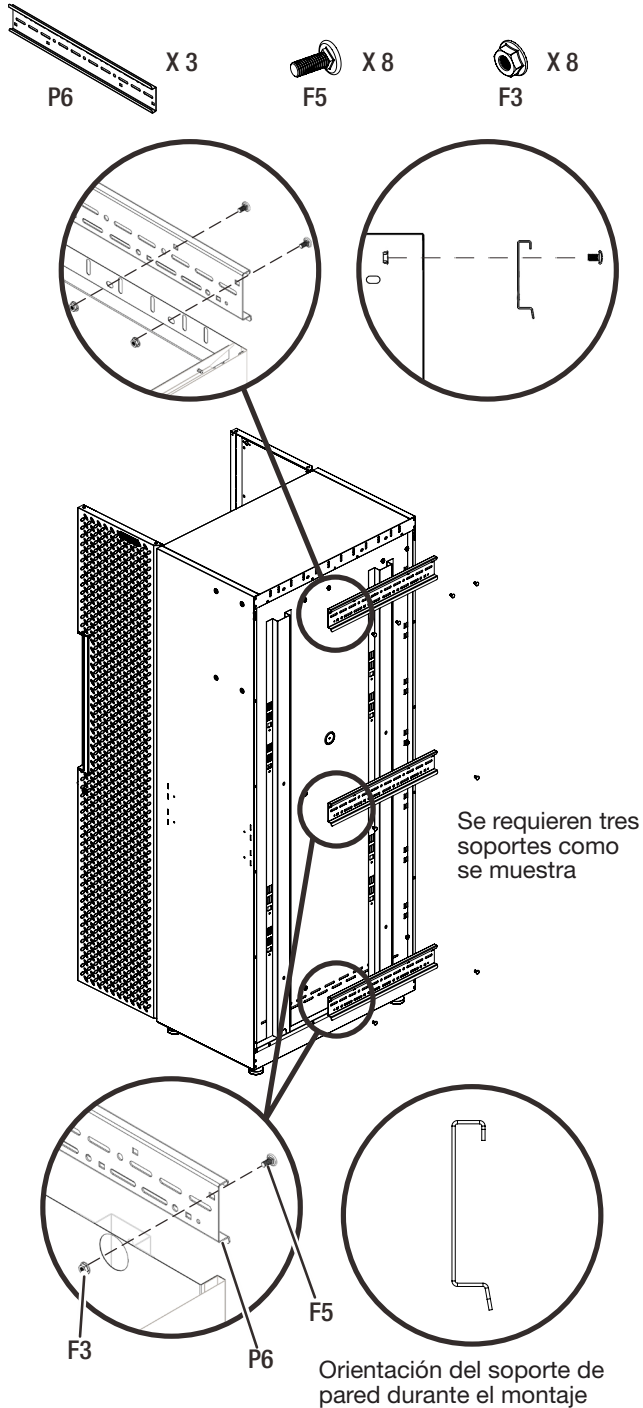
- Fije la canasta (P8) a los rieles (P10) ya instalados en el fondo del estante del gabinete alto.

# INSTALE EL GABINETE EN EL CANAL GLADIATOR® GEARTRACK®

## Instale el gabinete alto de 30"

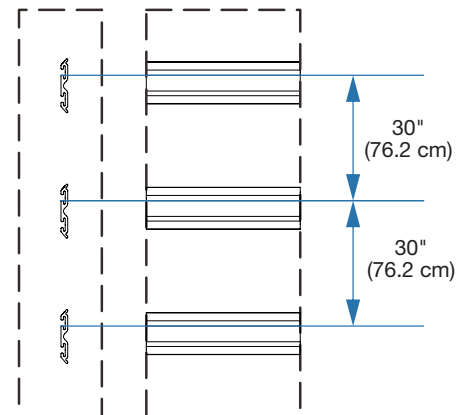
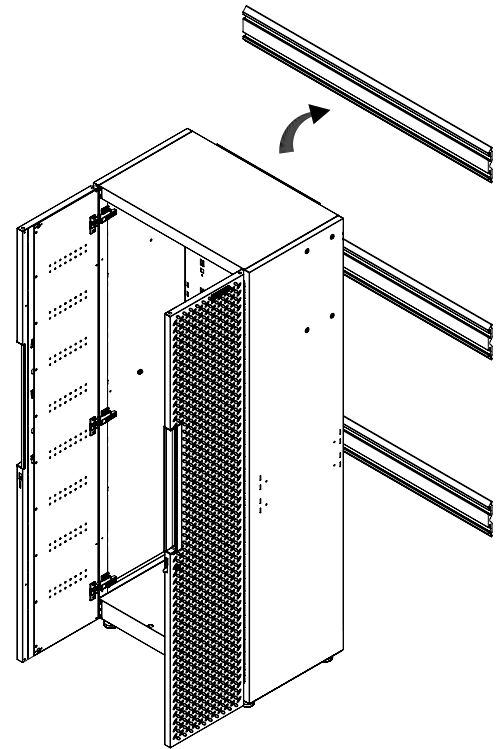
**NOTA:** Los soportes Gladiator® Flex se venden individualmente y los canales Gladiator® GearTrack® se venden por separado.

### 1. Instale los soportes en el gabinete alto.

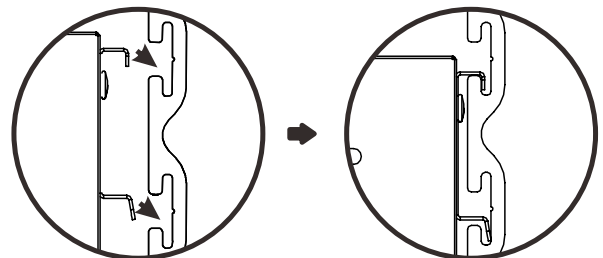


- Fije el soporte superior a la parte trasera del gabinete alto con cuatro tornillos M6 de cabeza redonda y cuello cuadrado (F5) y cuatro tuercas de brida M6 (F3).
- Fije los soportes central e inferior a la parte trasera del gabinete alto, respectivamente, con dos tornillos M6 de cabeza redonda y cuello cuadrado (F5) y dos tuercas de brida M6 (F3).

### 2. Cuelgue el gabinete alto en los canales GearTrack®.



Los canales GearTrack® deben instalarse con la separación indicada.



- Asegúrese de que los tres soportes están completamente encajados en las ranuras, tal y como se muestra.

**NOTA:** Para la instalación de los canales Gladiator® GearTrack®, consulte el manual de instrucciones incluido con los canales Gladiator® GearTrack®.

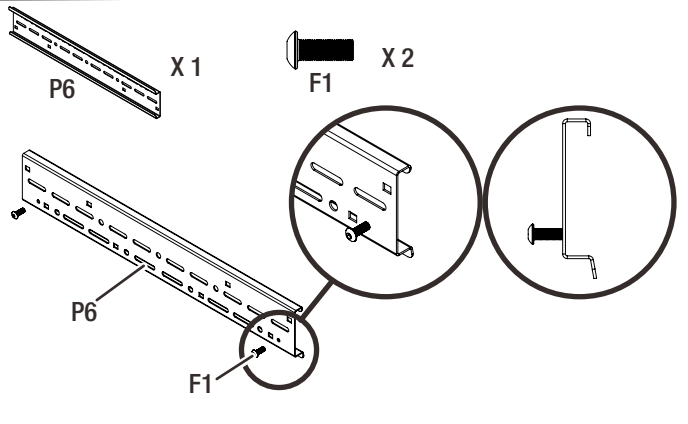


# INSTALE EL GABINETE EN EL CANAL GLADIATOR® GEARTRACK®

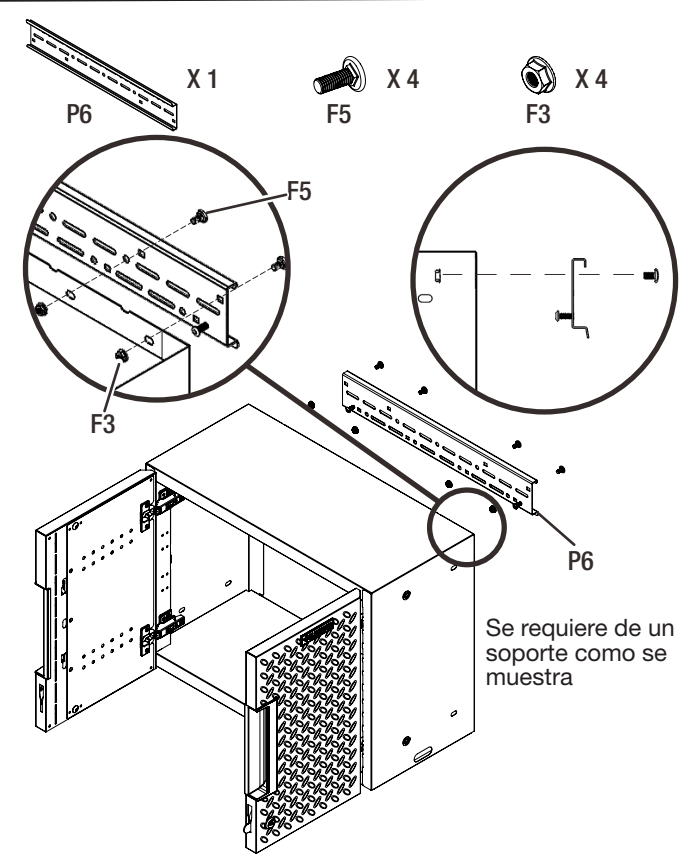
## Instale el gabinete de pared de 24"

**NOTA:** Los canales Gladiator® GearTrack® se venden por separado.

### 1. Fije dos tornillos de cabeza hueca hexagonal M6 x 16 en el soporte como se muestra.

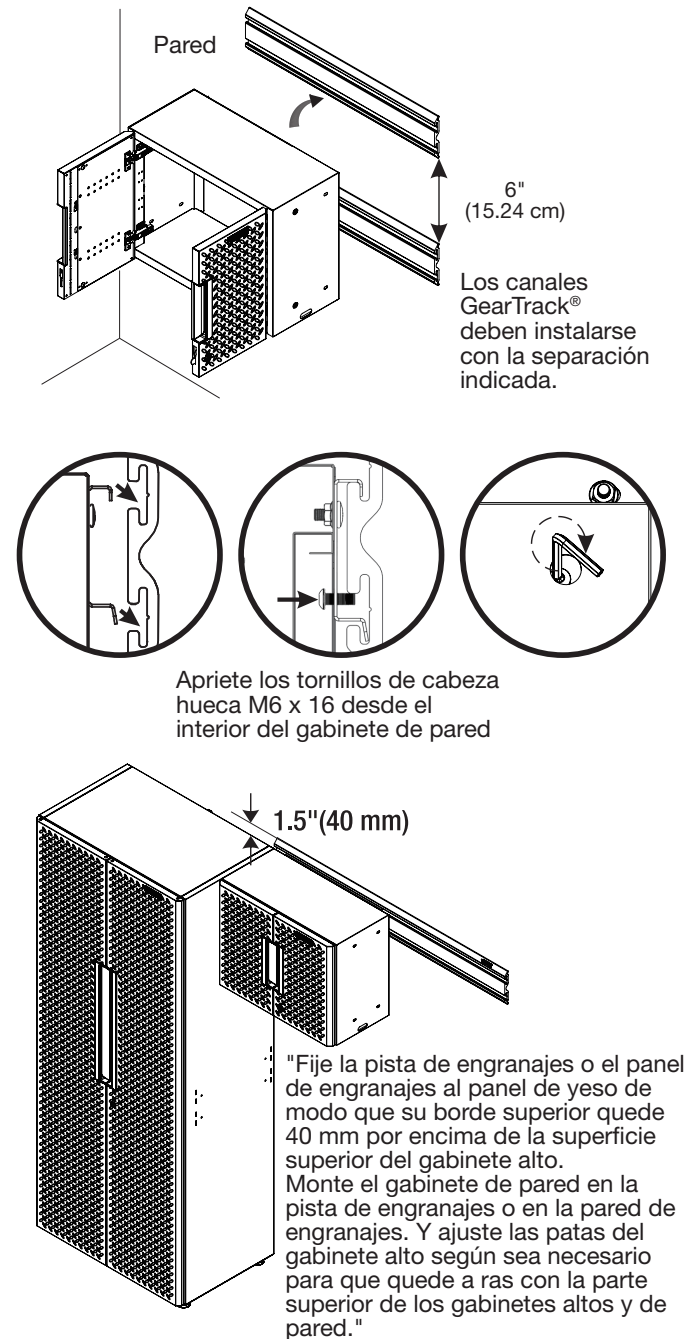


### 2. Fije el soporte a la parte superior trasera del gabinete.



- Fije el soporte a la parte superior trasera del gabinete de pared con cuatro pernos de cabeza redonda de cuello cuadrado M6 (F5) y cuatro tuercas de brida M6 (F3).

### 3. Cuelgue el gabinete de pared en el canal GearTrack®.



- Asegúrese de que el soporte está completamente encajado en las ranuras de la pared, tal y como se muestra. Apriete completamente los tornillos de cabeza hueca hexagonal M6 x 16 preinstalados en el soporte y asegúrese de que entran en las ranuras de la pared.

**NOTA:** Si se instala el gabinete de pared sobre canales GearTrack®, debe instalarse un segundo canal a 6" (15,24 cm) por debajo de la parte inferior del canal de soporte para que el gabinete cuelgue nivelado.

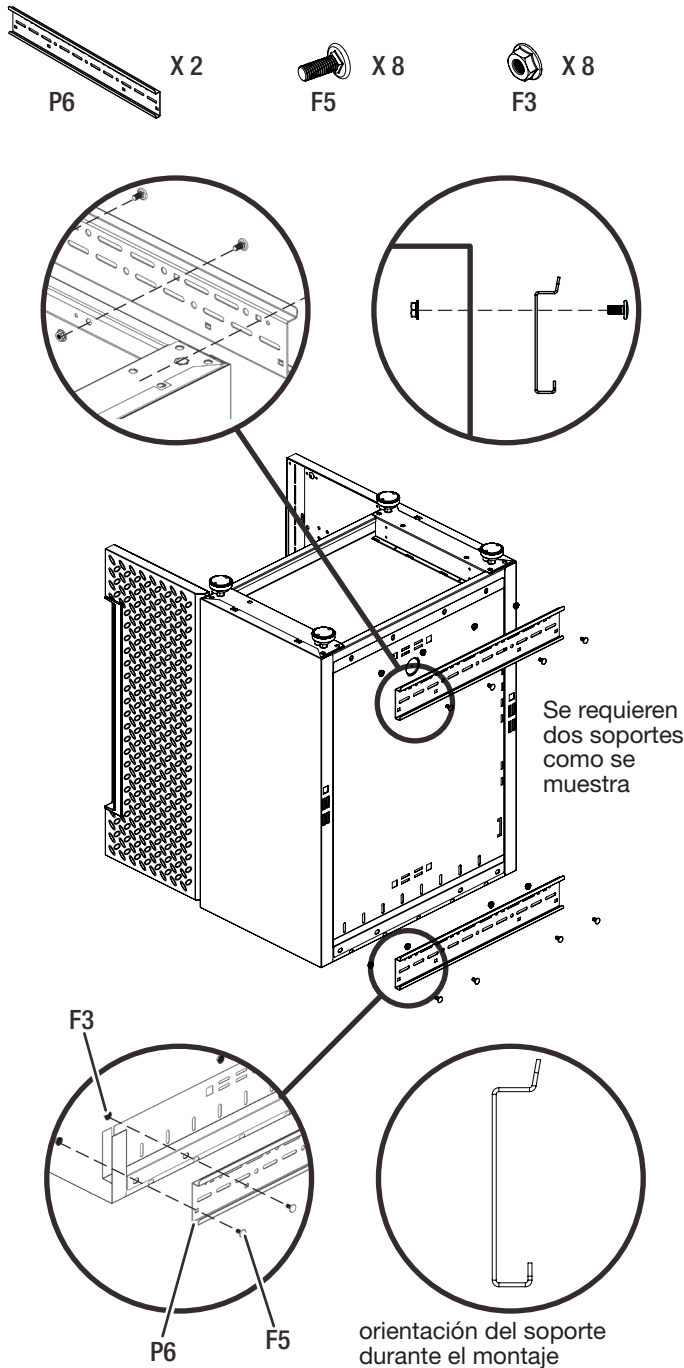
**NOTA:** Para la instalación de los canales Gladiator® GearTrack®, consulte el manual de instrucciones incluido con los canales Gladiator® GearTrack®.

# INSTALE EL GABINETE EN EL CANAL GLADIATOR® GEARTRACK®

## Instale el gabinete bajo de 24" con 2 puertas

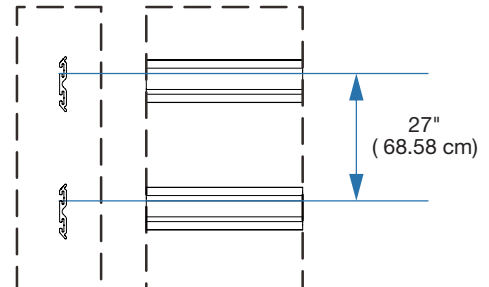
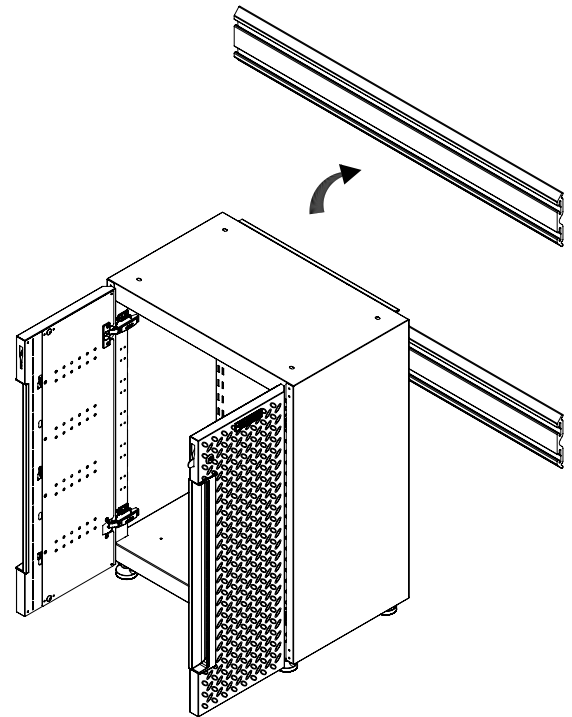
**NOTA:** Los soportes Gladiator® Flex se venden individualmente y los canales Gladiator® GearTrack® se venden por separado.

### 1. Instale los soportes en el gabinete.

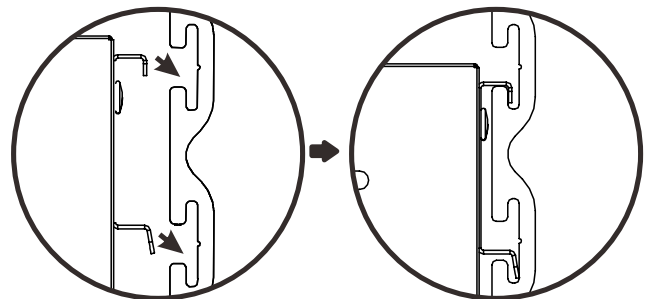


- Ponga temporalmente el gabinete boca abajo como se muestra.
- Fije los soportes a la parte trasera del gabinete bajo como se muestra con ocho tornillos M6 de cabeza redonda y cuello cuadrado (F5) y ocho tuercas de brida M6 (F3).

### 2. Cuelgue el gabinete bajo en el canal GearTrack®.



Los canales GearTrack® deben instalarse con la separación indicada.



- Cuelgue el gabinete bajo en los canales GearTrack®. Asegúrese de que los dos soportes están completamente encajados en las ranuras, tal y como se muestra.
- NOTA:** Para la instalación de los canales Gladiator® GearTrack®, consulte el manual de instrucciones incluido con los canales Gladiator® GearTrack®.

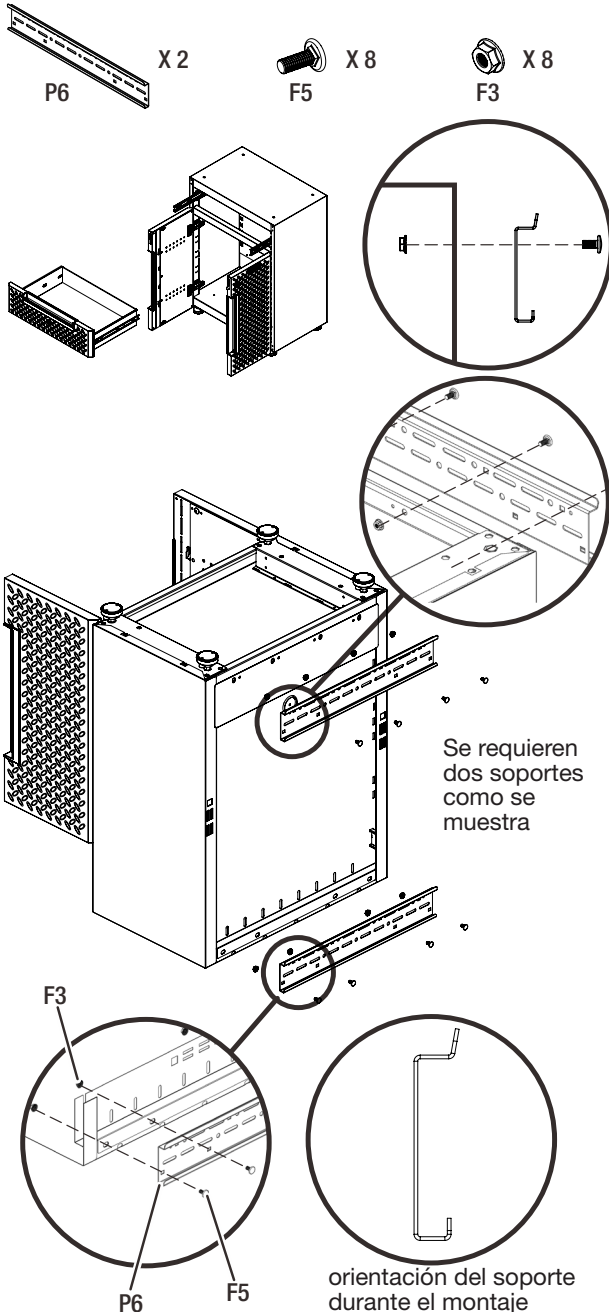


# INSTALE EL GABINETE EN EL CANAL GLADIATOR® GEARTRACK®

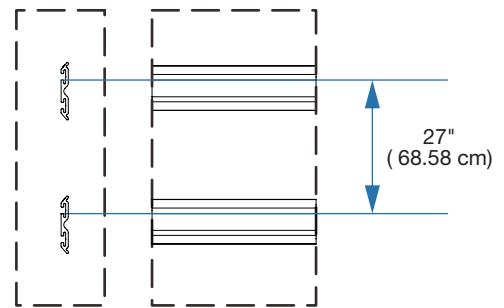
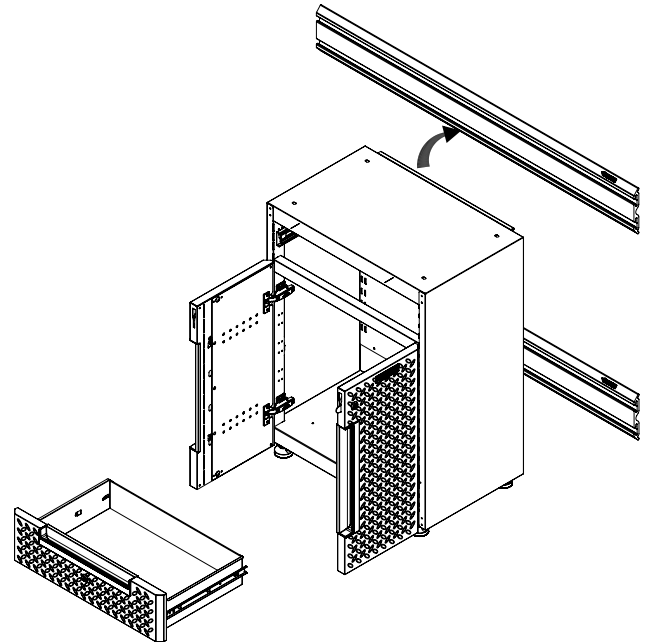
## Instale el gabinete bajo de 24" con 1 cajón y 2 puertas

**NOTA:** Los soportes Gladiator® Flex se venden individualmente y los canales Gladiator® GearTrack® se venden por separado.

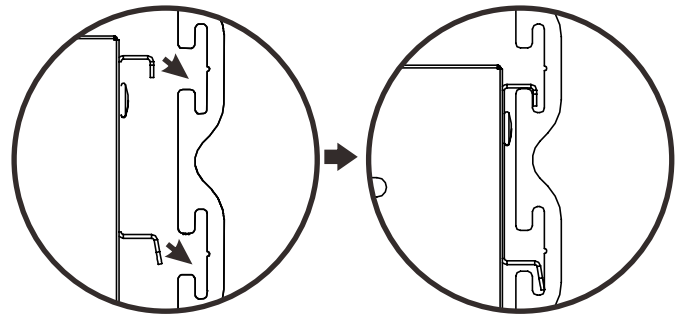
### 1. Instale los soportes de pared en el gabinete.



### 2. Cuelgue el gabinete bajo en el canal GearTrack®.



Los canales GearTrack® deben instalarse con la separación indicada.



- Retire el cajón del gabinete bajo. (Ver instrucciones en la página 50)
- Ponga temporalmente el gabinete bajo boca abajo como se muestra.
- Fije los soportes a la parte trasera del gabinete bajo como se muestra con ocho tornillos M6 de cabeza redonda y cuello cuadrado (F5) y ocho tuercas de brida M6 (F3).

- Asegúrese de que los dos soportes están completamente encajados en las ranuras, tal y como se muestra. Instale el respaldo del cajón en el gabinete bajo. (Ver instrucciones en la página 50)

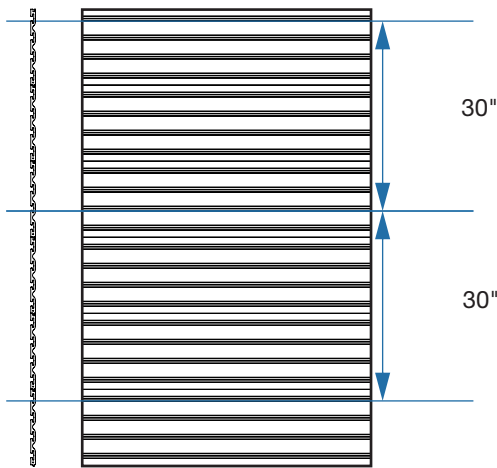
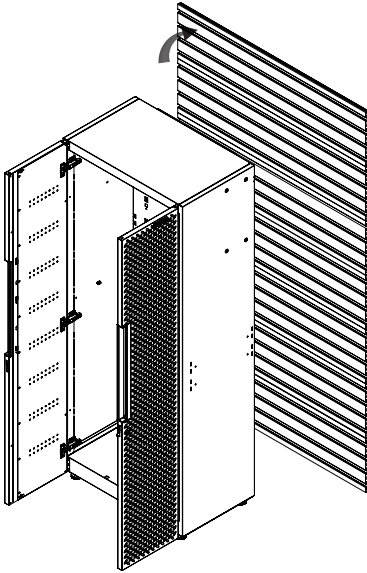
**NOTA:** Para la instalación de los canales Gladiator® GearTrack®, consulte el manual de instrucciones incluido con los canales Gladiator® GearTrack®.

# INSTALE EL GABINETE EN EL PANEL GLADIATOR® GEARWALL®

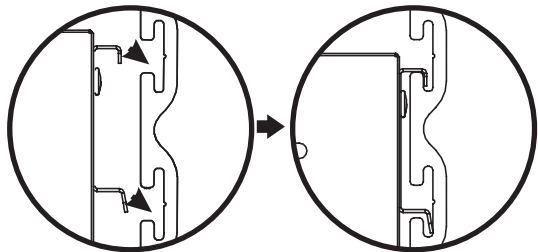
**NOTA:** Los soportes Gladiator® Flex se venden individualmente y los paneles Gladiator® GearWall® se venden por separado. B Para la instalación de los paneles Gladiator® GearWall®, consulte el manual de instrucciones incluido con los paneles Gladiator® GearWall®.

## Instale el gabinete bajo de 24" con 2 puertas

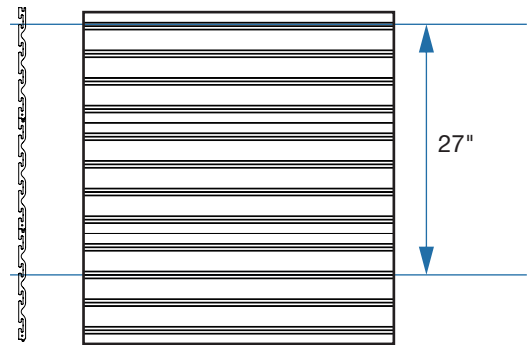
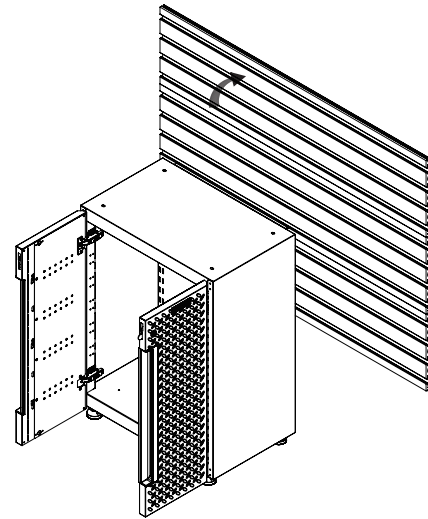
### Instale el gabinete alto de 30"



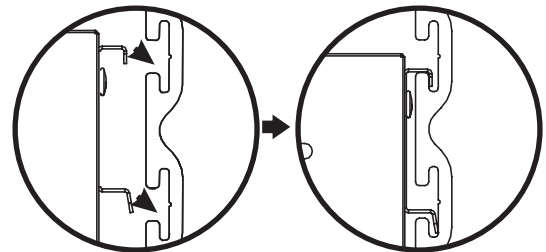
Los paneles GearWall® deben instalarse con la separación indicada.



- Instale tres soportes en el gabinete alto. (Ver instrucciones en la página 50)
- Cuelgue el gabinete alto en los paneles GearWall®.
- Asegúrese de que los tres soportes están completamente encajados en las ranuras, tal y como se muestra.



Los paneles GearWall® deben instalarse con la separación indicada.



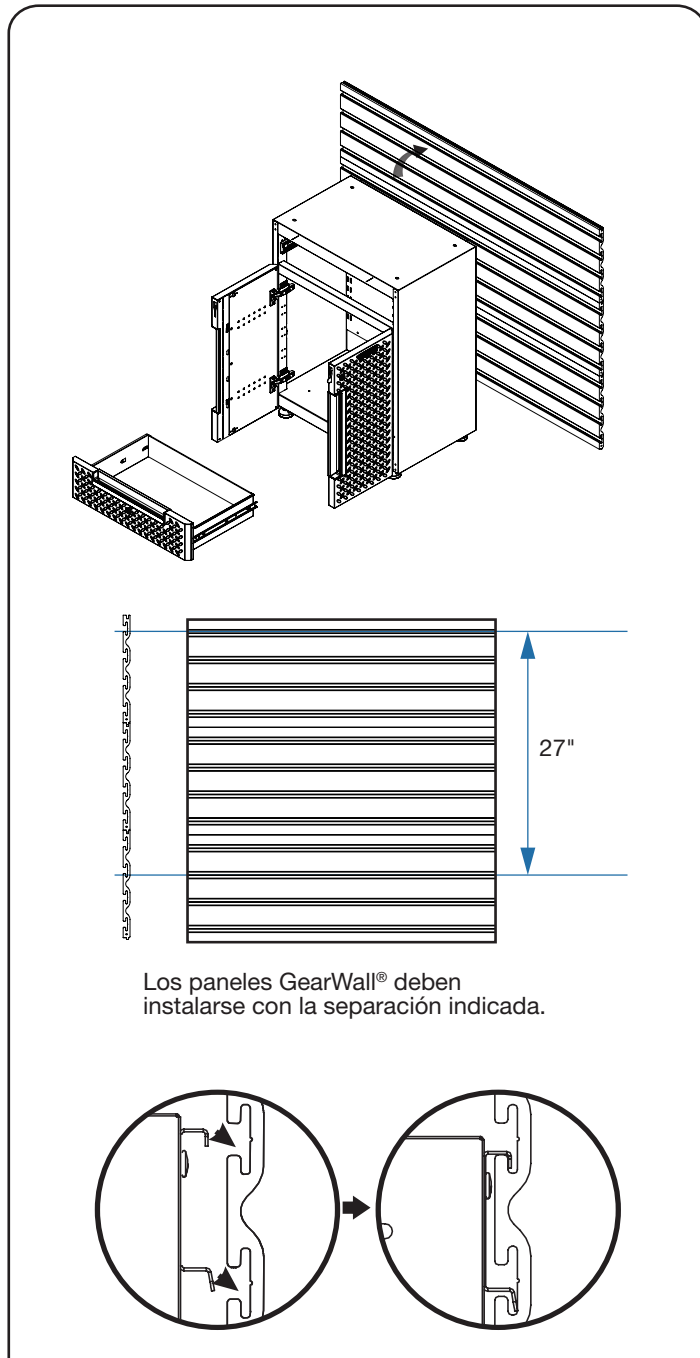
- Instale dos soportes en el gabinete bajo. (Ver instrucciones en la página 52)
- Cuelgue el gabinete bajo en los paneles GearWall®.
- Asegúrese de que ambos soportes están completamente encajados en las ranuras, tal y como se muestra.

# INSTALE EL GABINETE EN EL PANEL GLADIATOR® GEARWALL®

**NOTA:** Los soportes Gladiator® Flex se venden individualmente y los paneles Gladiator® GearWall® se venden por separado.

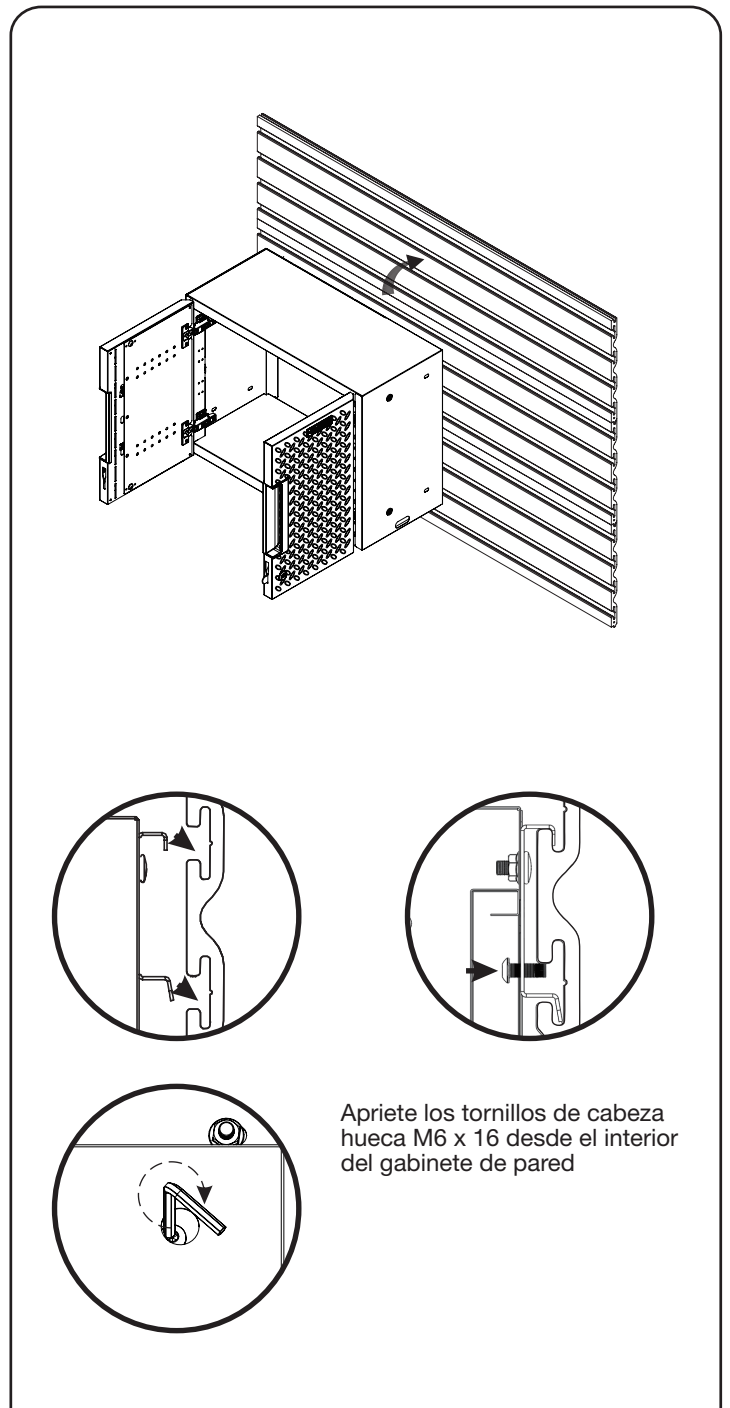
**NOTA:** Para la instalación de los paneles Gladiator® GearWall®, consulte el manual de instrucciones incluido con los paneles Gladiator® GearWall®.

## Instale el gabinete bajo de 24" con 1 cajón y 2 puertas



- Instale dos soportes en el gabinete bajo. (Ver instrucciones en la página 53)
- Cuelgue el gabinete bajo en los paneles GearWall®.
- Asegúrese de que ambos soportes están completamente encajados en las ranuras, tal y como se muestra. Instale el respaldo del cajón en el gabinete bajo. (Ver instrucciones en la página 56)

## Instale el gabinete de pared de 24"



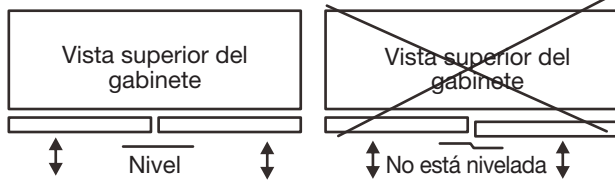
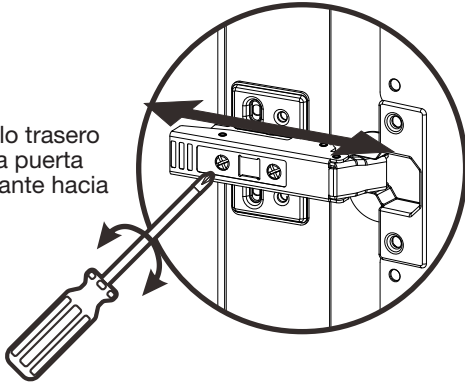
- Instale el soporte en el gabinete de la pared. (Ver instrucciones en la página 51)
- Cuelgue el gabinete de pared en los paneles GearWall®.
- Asegúrese de que el soporte está completamente encajado en las ranuras de la pared, tal y como se muestra. Apriete completamente los tornillos de cabeza hueca hexagonal M6 x 16 preinstalados en el soporte y asegúrese de que entran en las ranuras de la pared.

# AJUSTE DE LA PUERTA

## Ajuste de la puerta (si es necesario)

### Ajuste de la puerta de delante hacia atrás (si es necesario)

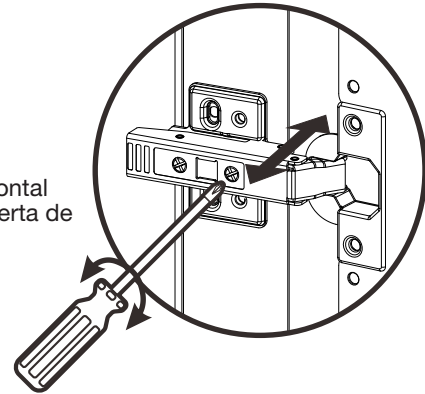
El tornillo trasero ajusta la puerta de adelante hacia atrás.



- Atornille el tornillo interior de la bisagra de cierre suave para ajustar la separación entre las puertas y la carcasa. Asegúrese de que la puerta esté siempre nivelada.

### Ajuste de la puerta de lado a lado (si es necesario)

El tornillo frontal ajusta la puerta de lado a lado.



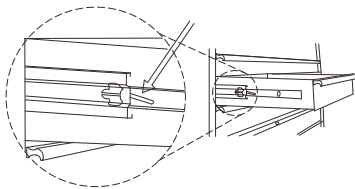
- Atornille el tornillo exterior de la bisagra de cierre suave para ajustar la separación entre las puertas. Asegúrese de que la puerta esté siempre nivelada.

# EXTRACCIÓN Y SUSTITUCIÓN DEL CAJÓN

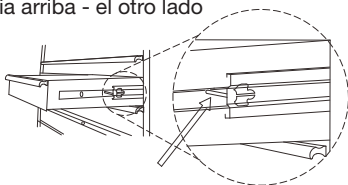
## Extracción y sustitución de cajones

### Extracción y sustitución de cajones

Empuje hacia abajo - un lado



Tire hacia arriba - el otro lado



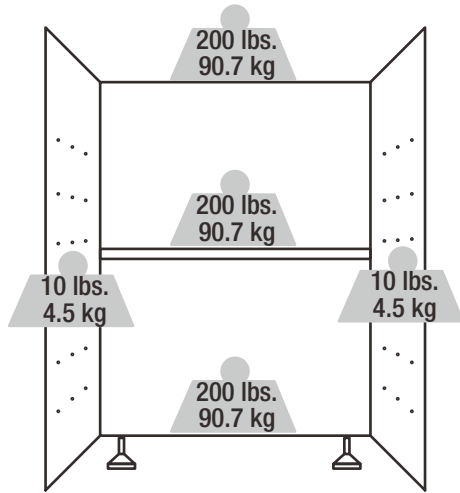
#### ■ EXTRACCIÓN DE CAJONES

Vacíe el cajón. Tire del cajón hasta que esté casi completamente extendido. Hay dos palancas negras de apertura, una a cada lado del cajón. Tire hacia arriba de la palanca de desbloqueo negra de un lado, mientras empuja hacia abajo la palanca de desbloqueo negra del otro lado. Mientras mantiene las palancas en las posiciones indicadas anteriormente, tire del cajón hacia fuera hasta que se libere de las guías del cajón.

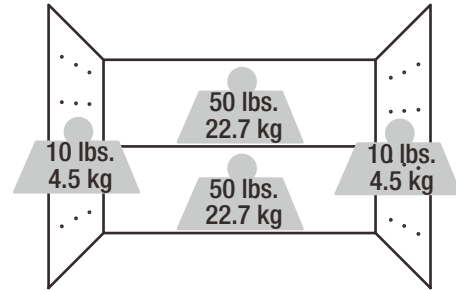
#### ■ SUSTITUCIÓN DE CAJONES

Extienda las guías de los cajones desde el gabinete. Introduzca los soportes de cada lado del cajón en las ranuras de las guías, teniendo cuidado de que estén bien colocados. Una vez insertado correctamente, cierre completamente el cajón para colocar las guías en su posición correcta.

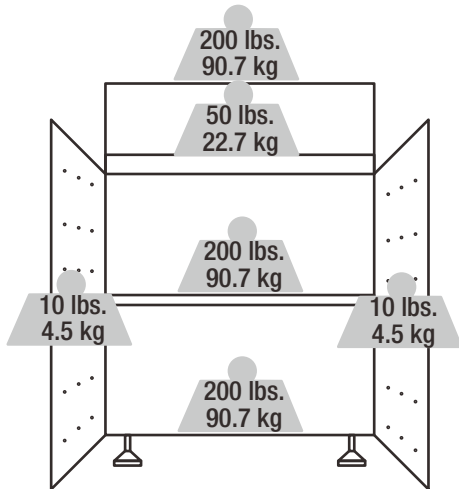
# CAPACIDAD DE PESO



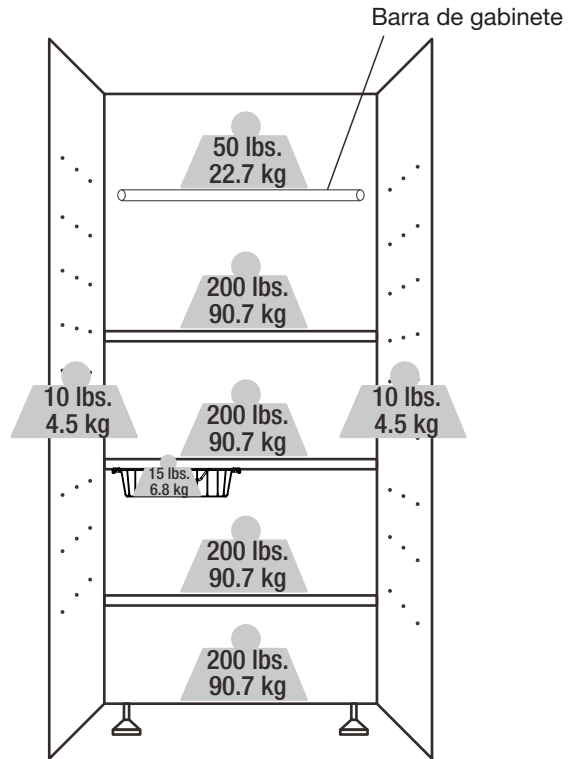
Gabinete bajo de 24"  
con 2 puertas  
Máx. 620 lb.



Gabinete de  
pared de 24"  
Máx. 120 lb.



Gabinete bajo de 24"  
con 1 cajón y 2 puertas  
Máx. 670 lb.



gabinete alto de 30"  
Máx. 870 lb. (La capacidad de  
carga máxima del estante incluye  
el peso de la canasta y la carga  
dentro de la misma)

---

# MANTENIMIENTO

- Compruebe periódicamente el apriete de todos los tornillos y tuercas. Apriételos cuando sea necesario.
- Compruebe periódicamente el apriete de la correa de pared. Apriételo cuando sea necesario.

---

# CUIDADO Y LIMPIEZA

- Limpie periódicamente las superficies con un trapo suave y agua.
- La grasa y el aceite pueden eliminarse con la mayoría de los líquidos de limpieza habituales. Utilice un líquido de limpieza no inflamable.

---

# ACCESORIOS GLADIATOR® FLEX

Para pedir accesorios, llame al **1-866-342-4089** y pida el número de pieza del accesorio que se indica a continuación o póngase en contacto con su distribuidor autorizado de Gladiator® GarageWorks. En Canadá, llame al **1-800-807-6777**. **Soporte de Flex (pedir pieza n.º GANA201BMS)** - Permite montar el gabinete en los canales GearTrack® de Gladiator®.

**Kit de ruedas Gladiator® Flex (pedir la pieza n.º GANA04CKMX)**

**Kit de canasta Gladiator® Flex (pedir la pieza n.º GANA12SBMB)**

**Encimera Gladiator® Flex (pedir la pieza n.º GANA24HWMX)**

---

# GARANTÍA

Para obtener información sobre la garantía:

En EE. UU., llame al **1-866-342-4089** o visite nuestro sitio web en

**[www.gladiatorgarageworks.com](http://www.gladiatorgarageworks.com)**

En Canadá, llame al **1-800-807-6777** o visite nuestro sitio web en

**[www.gladiatorgarageworks.ca](http://www.gladiatorgarageworks.ca)**