



REFRIGERATOR

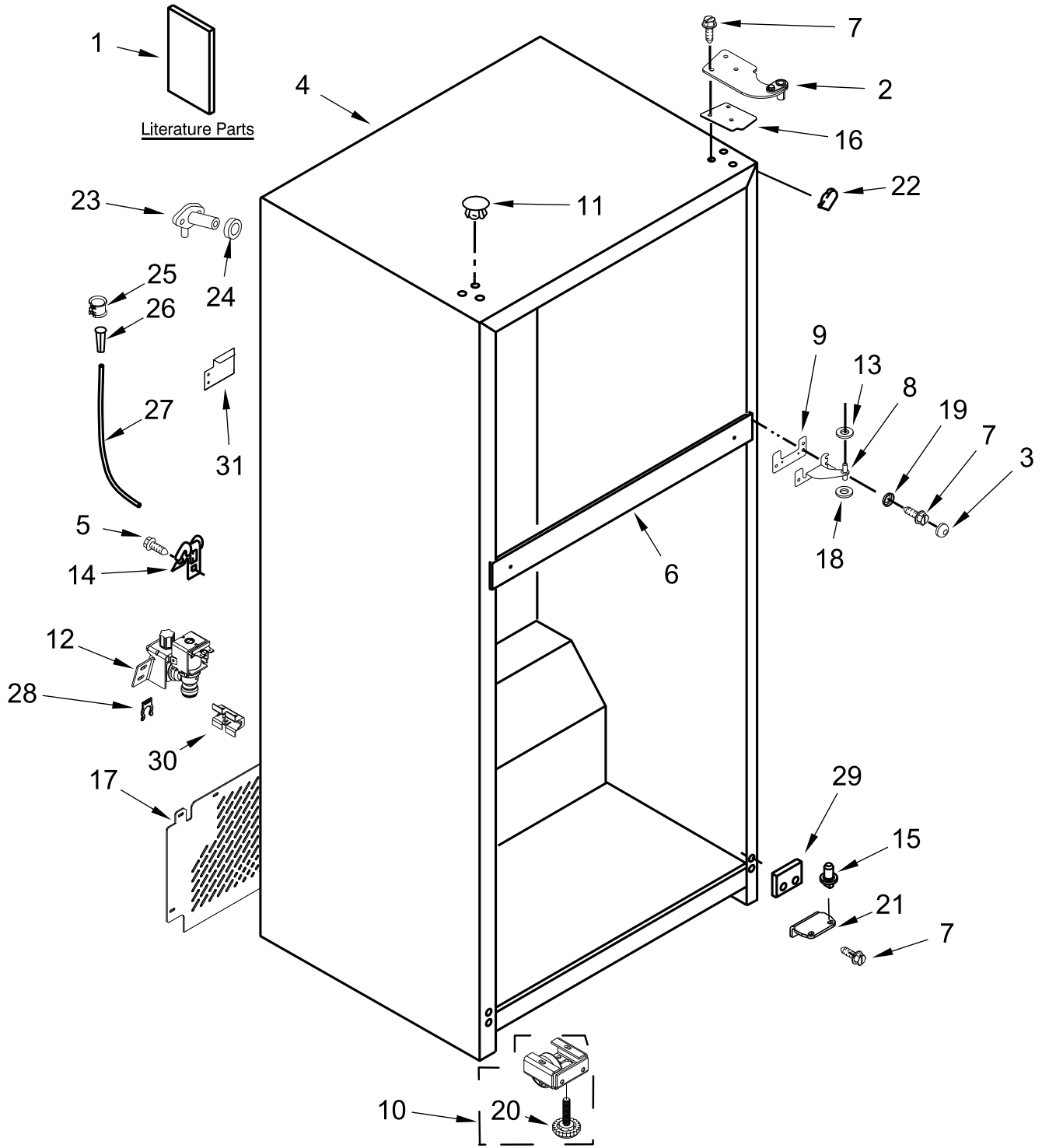
MODELS:

WRTX5028PW00 (White)

WRTX5028PB00 (Black)

WRTX5028PM00 (Stainless)

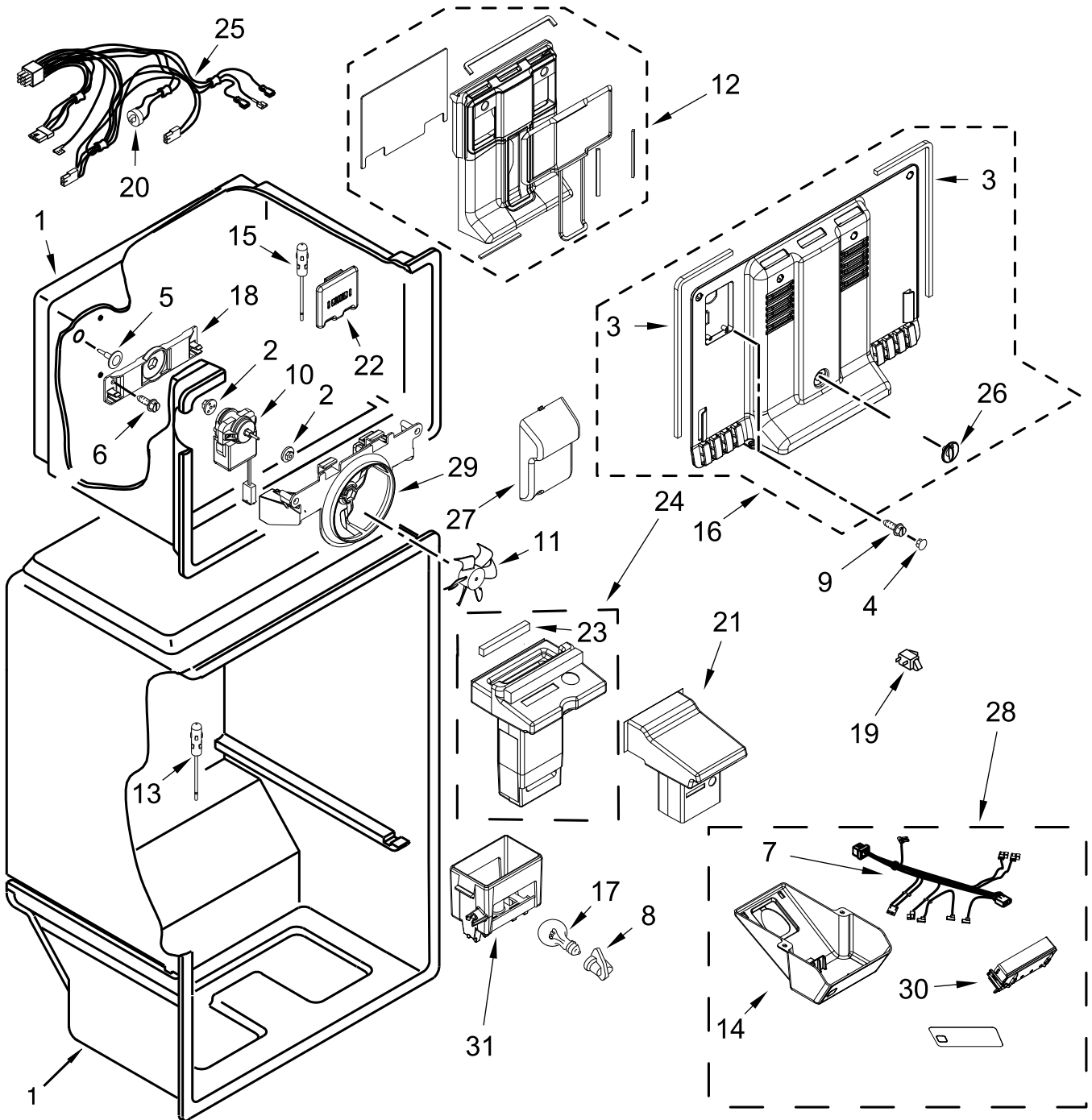
CABINET PARTS



CABINET PARTS

<u>Illus.</u> <u>No.</u>	<u>Part No.</u>	<u>Description</u>	<u>Illus.</u> <u>No.</u>	<u>Part No.</u>	<u>Description</u>	<u>Illus.</u> <u>No.</u>	<u>Part No.</u>	<u>Description</u>
1		Literature Parts	9		Shim, Hinge (Center)	21	2325482	Hinge, Bottom
	W11646490	Tech Sheet		2166043	White	22		Filler, Corner
	W11507956	Use and Care Guide		2215385	Black		2166003	White
	W11647837	Energy Guide	10	W10142530	Assembly, Roller		2215384	Black
2	W10300065	Assembly, Top Right Hinge	11		Plug, Hole		W10761079	Grey
				W10520304	White	23	W11249272	Fitting, Water Tube
3		Cap, Dome		W10520305	Black	24	1106508	Gasket, Seal
	W10674771	White		W10520307	Grey	25	W10329003	Clamp, Tube
	W10679135	Black	12	W10498995	Valve, Inlet	26	2181939	Insert, Tube
	W10679139	Grey	13	489341	Washer, Plastic	27	2181944	Tube, Water
4		Cabinet (Not Serviced)	14	W11242280	Clamp, Power Cord	28	W11175632	Locking Ring (1/4)
5	489442	Screw	15	W10638688	Hinge Pin	29	2201567	Shim, Hinge (Bottom)
6		Rail, Center (Not Serviced)	16	W10883637	Shim, Top Hinge	30	W11416450	Spacer, Back
			17	W11307292	Cover Unit	31	W11458717	Access Cover, Valve
7	489497	Screw	18	487576	Washer, Plastic			
8	2166086	Assembly, Hinge (Center)	19	W10674773	Cap, Washer Dome			
			20	W10133299	Leveler			

LINER PARTS

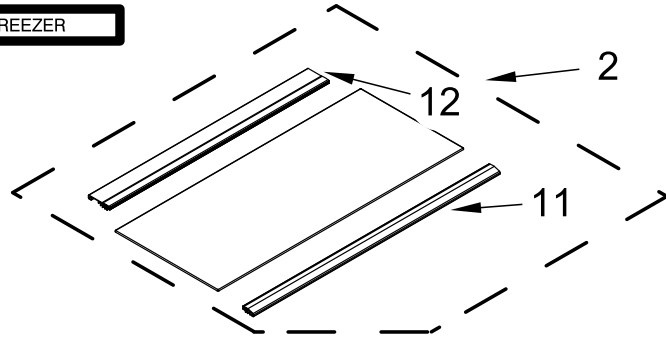


LINER PARTS

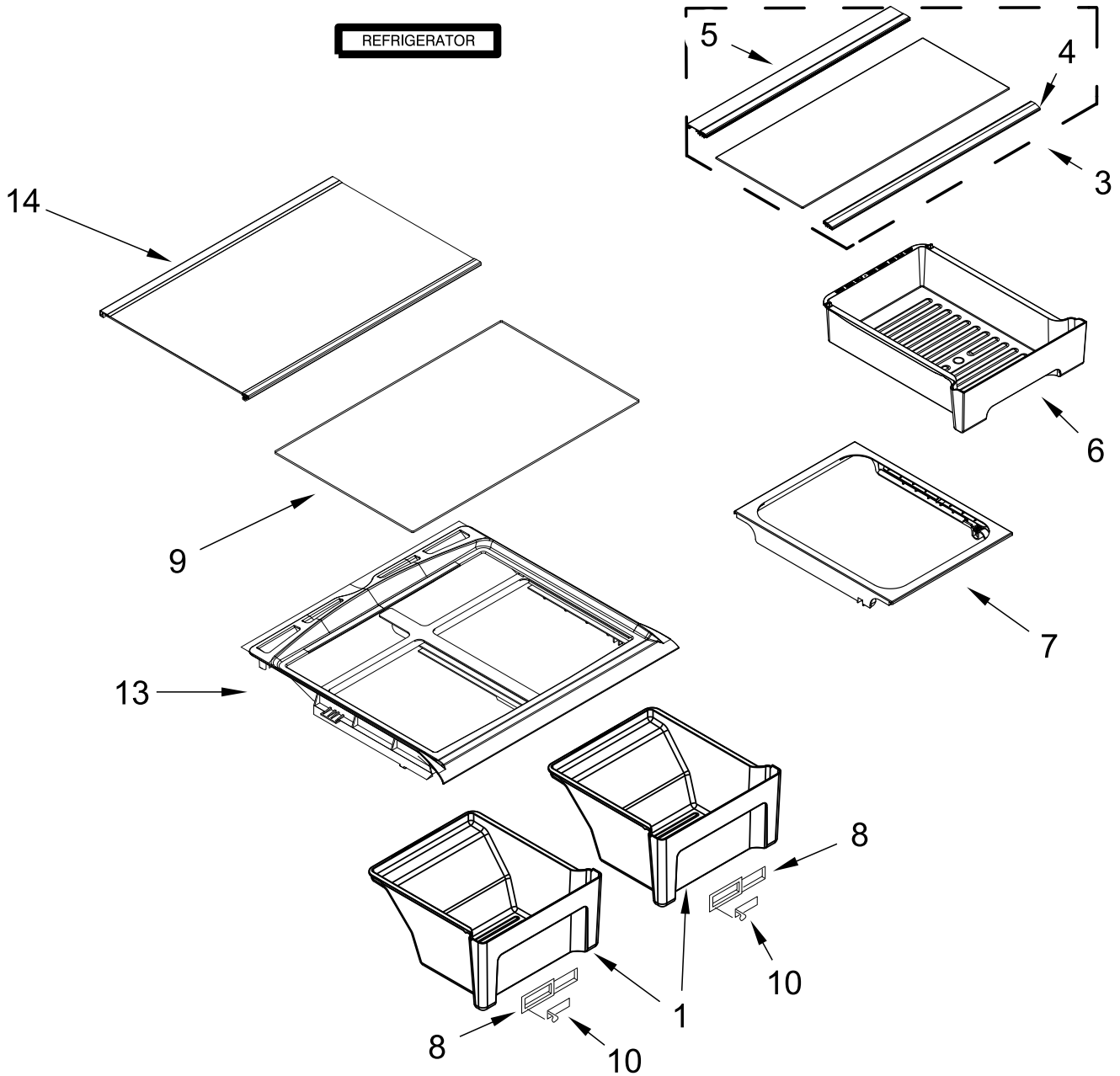
<u>Illus. No.</u>	<u>Part No.</u>	<u>Description</u>	<u>Illus. No.</u>	<u>Part No.</u>	<u>Description</u>	<u>Illus. No.</u>	<u>Part No.</u>	<u>Description</u>
1		Liner (Not Serviced)	13	W10452402	Thermistor, Refrigerator	25	W11314500	Assembly, Evaporator Fan Wire (Includes Thermal Fuse)
2	2197380	Grommet	14	W11480647	Assembly, Control Box	26	W10570952	Knob, Air Control
3	W10579698	Gasket, Evaporator Cover	15	W10384183	Thermistor	27	W11341625	Cover, Water Tube
4	W10487421	Cover, Screw	16	W11510100	Cover, Evaporator	28	W11476570	Electronic, Control
5		Hole Plug	17	W11254095	Module, LED	29	W10321162	Bracket, Fan Motor
	941839	White	18	2254454	Bracket, Evaporator Fan Rear	30	W11476559	Control, Electronic
6	488208	Screw	19	W10847853	Switch, Rocker	31	W10570480	Cover, Air Diffuser
7	W11203361	Wire Assembly, Control Box	20		Bi-Metal Defrost (Not Serviced)			
8	2155597	Socket, Light	21	W10570941	Duct, Air			
9	8281232	Screw	22	2321148	Housing, Thermistor			
10	2315539	Motor, Evaporator Fan	23	W10702120	Gasket, Air Diffuser			
11	2200509	Blade, Fan	24	W11603929	Assembly, Air Diffuser			
12	W10813581	Assembly, Evaporator Plenum						

SHELF PARTS

FREEZER



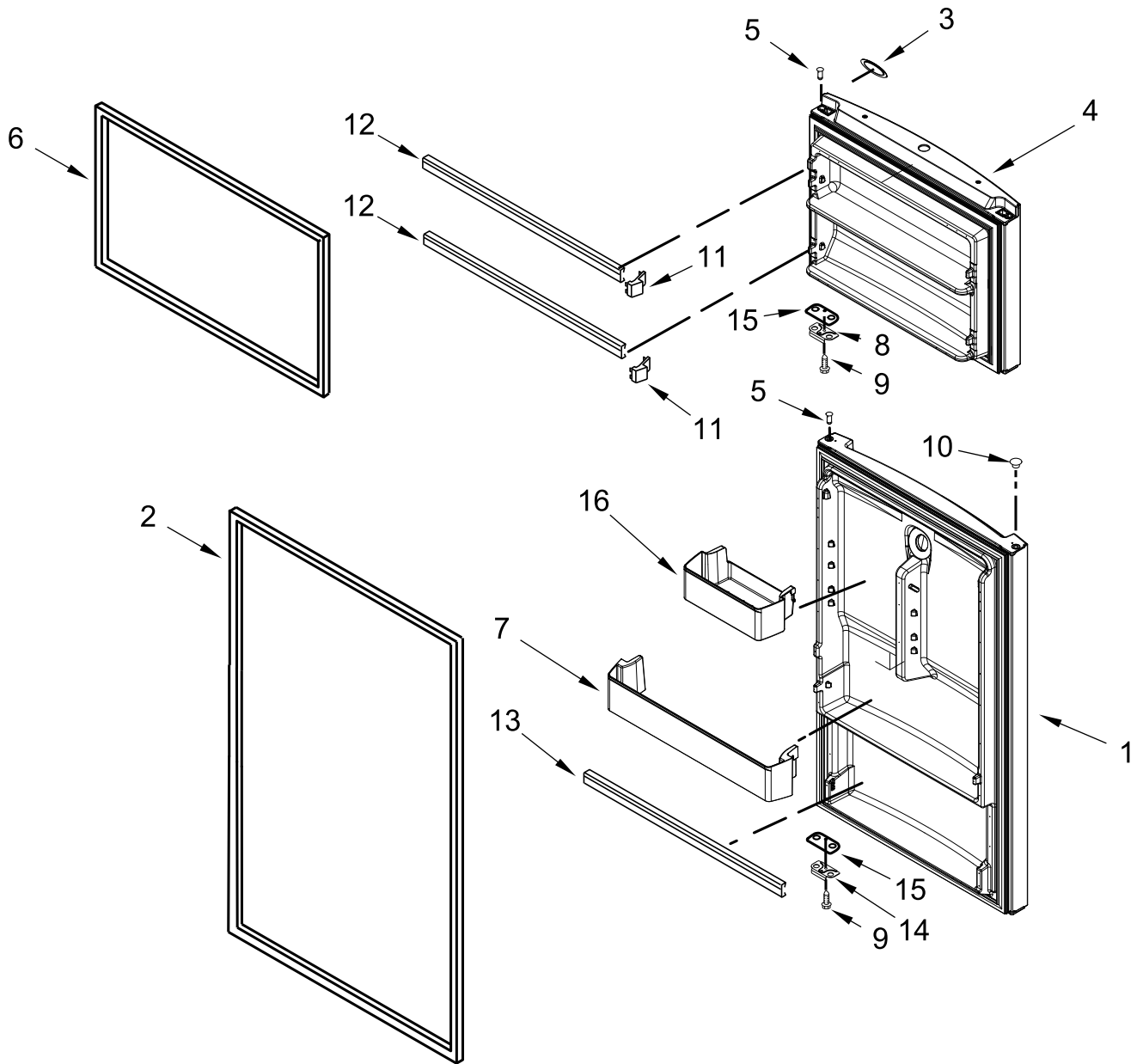
REFRIGERATOR



SHELF PARTS

<u>Illus.</u> <u>No.</u>	<u>Part No.</u>	<u>Description</u>	<u>Illus.</u> <u>No.</u>	<u>Part No.</u>	<u>Description</u>	<u>Illus.</u> <u>No.</u>	<u>Part No.</u>	<u>Description</u>
1	2256704	Pan, Crisper	7	W10814193	Holder, Meat Pan	13	2222031	Cover, Crisper
2	W10847320	Shelf, Glass	8	2212446	Body, Humidity Control	14	W11184842	Assembly, Glass Shelf
3	W11596625	Shelf Pan Glass, Meat	9	2324035	Glass, Shelf			
4	W11596624	Trim Shelf, Front	10	2176222	Slide, Humidity Control			
5	W10804343	Trim Shelf, Rear	11	W10847166	Trim, Shelf Front			
6	W10815714	Pan, Meat	12	W10847182	Trim, Shelf Rear			

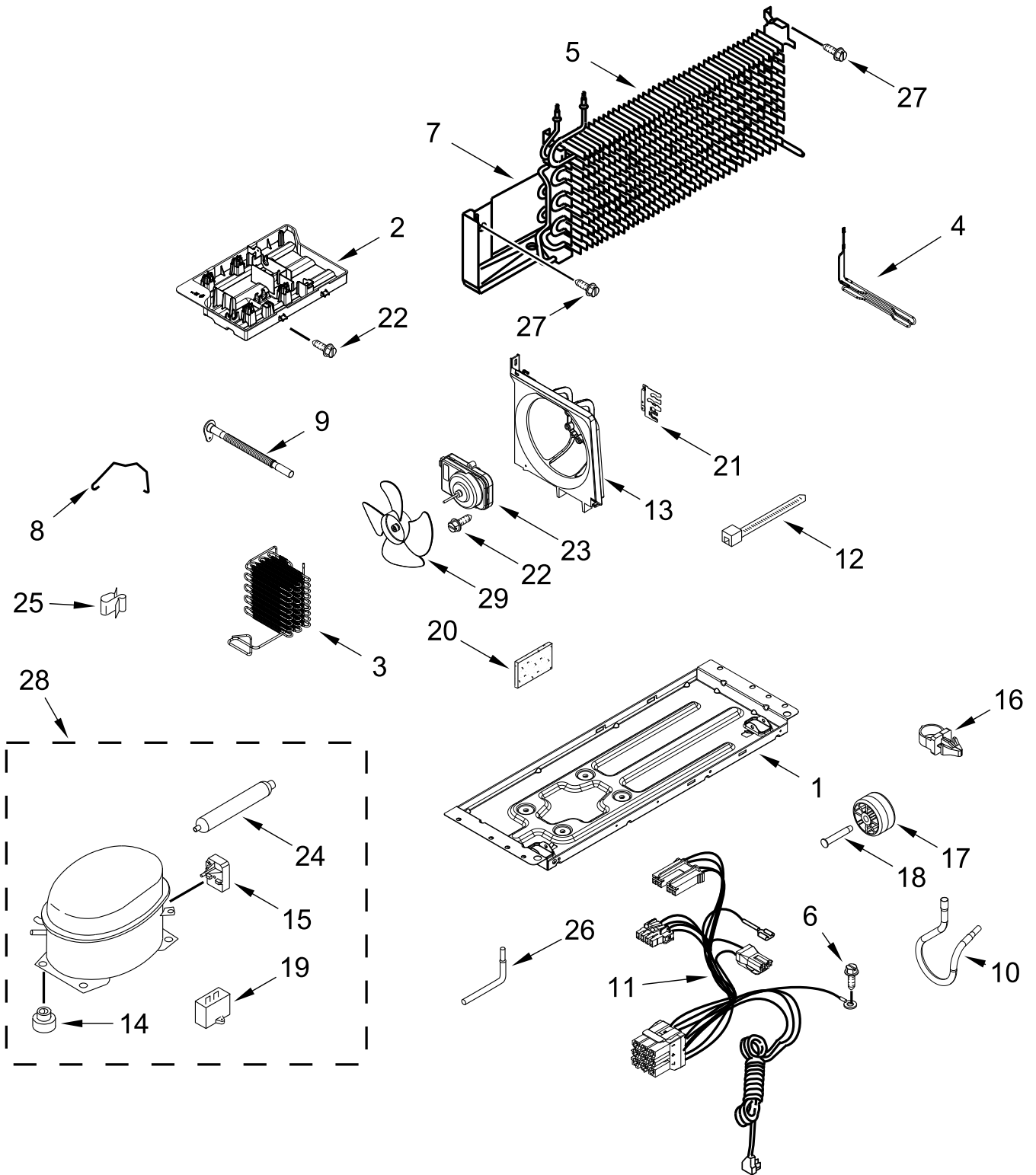
DOOR PARTS



DOOR PARTS

<u>Illus.</u> <u>No.</u>	<u>Part No.</u>	<u>Description</u>	<u>Illus.</u> <u>No.</u>	<u>Part No.</u>	<u>Description</u>	<u>Illus.</u> <u>No.</u>	<u>Part No.</u>	<u>Description</u>
1		Refrigerator Door (Includes Illustration 2)	5		Thimble	11	2156003	Endcap, Trim
	W11634841	White		W10492018	White	12	W10245587	Trim, Door Shelf
	W11616141	Black		W10334042	Black	13	W10802128	Trim, Door Shelf
	W11634842	Stainless		W10492022	Grey	14	W10492012	Bracket, Door Stop
2		Gasket, Door	6		Gasket, Door	15		Shim, Door Stop
	2264729	White		W10840863	White		2258681W	White
	2264725	Black		W10843447	Black	16	W10805890	Movable, Bin
	W10244874	Grey		W10843448	Grey			
3	W10884775	Badge	7	W10805892	Trivet			
4		Freezer Door (Includes Illustration 6)	8	2189202	Bracket, Door Stop			
	W10852088	White	9	488921	Screw			
	W10803963	Black	10		Plug, Hole			
	W10803960	Stainless		2212648	White			
				2212651	Black			
				2254517	Grey			

UNIT PARTS



UNIT PARTS

<u>Illus.</u> <u>No.</u>	<u>Part No.</u>	<u>Description</u>	<u>Illus.</u> <u>No.</u>	<u>Part No.</u>	<u>Description</u>	<u>Illus.</u> <u>No.</u>	<u>Part No.</u>	<u>Description</u>
1	W10573847	Support Plate, Compressor	10	W11396724	Tube, Suction	26	2174739	Tube, Process
2	W10565417	Tray, Evaporator	11	W11238411	Harness, Unit	27	489442	Screw
3	W11299410	Condenser (Also Order the Following Lokring Parts)	12	2263990	Tie, Wire	28	W11528399	Compressor (Also Order the Following Lokring Parts)
	W11504445	5/4 NR MS 00 (High Side to Condenser)	13	W10570380	Scroll, Fan		W11504415	8.5/8 NR MS 00 (Suction Tube to Compressor)
	W11504432	6/5 NR MS 00 (Suction Line to Condenser)	14	10835903	Grommet		W11504430	7/6 NR MS 00 (High Pressure Side to Compressor)
4	W11339349	Heater, Defrost	15	W11541370	Device, Combination Start (Start Relay and Overload)		W11506619	8 NK MS 00 (Process Tube to Compressor)
5	W11497963	Assembly, Evaporator (Also Order the Following Lokring Parts)	16	2219077	Clip, Harness	29	W10675036	Blade, Fan REFRIGERANT CHARGE 56 grams (R600a)
	W11504450	4/1.8 NR MS 00 (Capillary Tube to Evaporator)	17	W10475495	Roller			
	W11506620	8 NK AL 00 (Suction Line to Evaporator)	18	2264756	Axle, Roller			
6	8533919	Screw	19	W10590083	Capacitor			
7	W10570572	Shield, Heat	20	2215468	Insulation, Sound			
8	W10174384	Strap, Bale	21	W11340313	Bracket, Evaporator			
9	W10582029	Extension, Drain Tube	22	8533859	Screw			
			23	W10909387	Motor, Condenser Fan			
			24	W10805035	Drier (Service Drier Without Dye) (Also Order the Following Lokring Parts)			
				W11504445	5/4 NR MS 00 (Heat Loop to Drier)			
				W11504447	5/1.8 NR MS 00 (Capillary Tube to Drier)			
			25	1114718	Clip, Wiring			

OPTIONAL PARTS

<u>Illus.</u> <u>No.</u>	<u>Part No.</u>	<u>Description</u>
	978941	Insulation, Fiberglass (63 1/2" x 35 1/2" x 2 5/8")
	212643	Sealer, Gum (4 Feet)
	479502	Tape, Vinyl (3/4 x 108")
	876305	Insulation Kit (14 Pieces, 3" x 24" x 48")
	876370	Insulation (2 Pieces, 3" x 24" x 48")
	876029	Kit, Foam Slab (30" x 32 1/2" x 1 1/2")
	505587	Sealer, Mastic (1 Qt)
	511873	White Porcelain (2 oz.)
	542638	Grease, Silicone (1/2 Oz.)
	542639	Cement, Alumilastic (1 1/4 Oz.)
	606755	Bag
	833938	Kit, Terminal Connector
	503695	Cork, Sealer
	8003RP	Kit, Water Inlet
W10662124		Door Reversal Kit, White Model
W10676239		Door Reversal Kit, Black Model
W10676240		Door Reversal Kit Stainless Model
W11517113		Complete Ice Maker Kit