

Freestanding Gas Range with Double Ovens Control Guide

FEATURE GUIDE

WARNING: To reduce the risk of fire, electric shock, or injury to persons, read the IMPORTANT SAFETY INSTRUCTIONS, located in your appliance's Owner's Manual, before operating this appliance.

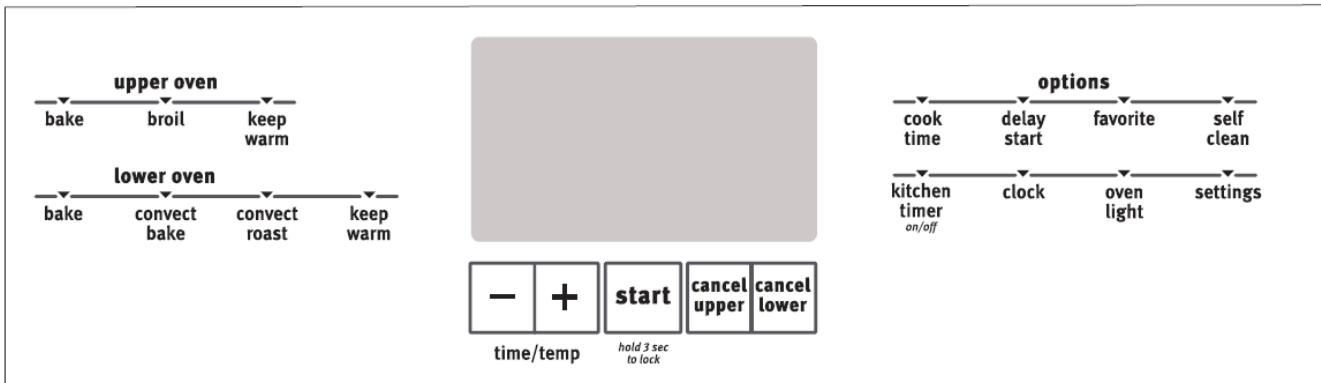
This manual covers several models. Your model may have some or all of the items listed. Refer to this manual or the Product Help section of our website at www.maytag.com for more detailed instructions. In Canada, refer to the Product Help Section at www.maytag.ca.

⚠ WARNING

Food Poisoning Hazard

Do not let food sit for more than one hour before or after cooking.

Doing so can result in food poisoning or sickness.

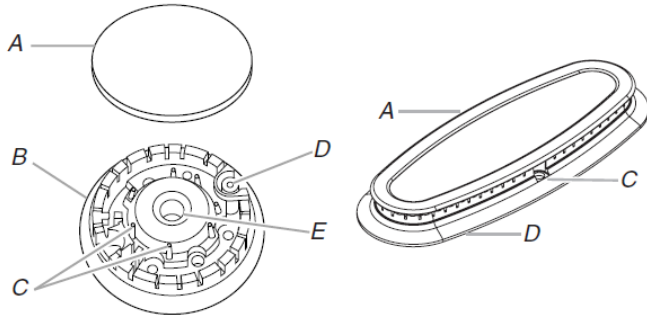


KEYPAD	FEATURE	INSTRUCTIONS
CLOCK	Clock	This clock can use a 12- or 24-hour cycle. See "Electronic Oven Controls" section. <ol style="list-style-type: none"> 1. Press the CLOCK keypad. 2. Press Time/Temp + keypad for AM or - keypad for PM. 3. Press the Time/Temp + or - to set the time of day. Press and hold to scroll quickly. 4. Press CLOCK or START.
Oven Light	Oven cavity light	While the oven doors are closed, press OVEN LIGHT to turn the lights on or off. The oven lights will come on when an oven door is opened.
KITCHEN TIMER ON/OFF	Oven timer	The Timer can be set in hours or minutes up to 9 hours and 59 minutes. <ol style="list-style-type: none"> 1. Press KITCHEN TIMER. 2. Press the Time/Temp + or - keypad to set the length of time in hr-min. Leading zeros do not have to be entered. For example, for 2 minutes, enter "2." 3. Press KITCHEN TIMER to begin the countdown. If enabled, timer tones will sound at the end of countdown. The display will return to the time of day at the end of countdown. 4. Press KITCHEN TIMER to cancel the Timer and return to the time of day. Do not press the Cancel keypads or Off keypads because the oven will turn off.
START	Cooking start	The Start keypad begins any oven function. If Start is not pressed within 2 minutes after pressing a keypad, the function is canceled and the time of day is displayed.
CANCEL UPPER CANCEL LOWER	Range function	Cancel Upper and Cancel Lower keypads stop any oven function except the Clock, Timer, and Control Lock in the selected oven.

KEYPAD	FEATURE	INSTRUCTIONS
BAKE UPPER BAKE LOWER	Baking and roasting	<ol style="list-style-type: none"> 1. Press BAKE for the desired oven. 2. Press the Time/Temp + or - keypad to set the desired temperature. Press and hold to scroll quickly. The temperature will not scroll past the minimum or maximum allowable temperature. 3. (Lower oven, single rack baking only) Press START. Rapid Preheat will begin. NOTE: Rapid Preheat should be used only for single-rack baking. 4. (Multiple-rack baking) Press START for the desired oven. Press START for the desired oven again to cancel Rapid Preheat. 5. To change the temperature, repeat Step 2. Press START for the change to take effect. 6. Press CANCEL for the selected oven when finished.
BROIL (upper only)	Broiling	<ol style="list-style-type: none"> 1. Press BROIL. 2. Press the Time/Temp + or - keypad to set the desired temperature. Press and hold to scroll quickly. The temperature will not scroll past the minimum or maximum allowable temperature. 3. Press START for the selected oven. No preheating is necessary. 4. Position the cookware in the oven. Close the door. 5. Press CANCEL UPPER when finished.
CONVECT BAKE	Convection cooking	<ol style="list-style-type: none"> 1. Press CONVECT BAKE. 2. Press the Time/Temp + or - keypad to set the desired temperature. Press and hold to scroll quickly. The temperature will not scroll past the minimum or maximum allowable temperature. 3. (Lower oven, single rack baking only) Press START. Rapid Preheat will begin. IMPORTANT: Rapid Preheat should be used only for one-rack baking. 4. (Multiple rack baking) Press START. Press START again to cancel Rapid Preheat. 5. To change the temperature, repeat Step 2. Press START for the change to take effect. 6. Press CANCEL LOWER when finished.
CONVECT ROAST	Convection cooking	<ol style="list-style-type: none"> 1. Press CONVECT ROAST. 2. Press the Time/Temp + or - keypad to set the desired temperature. Press and hold to scroll quickly. The temperature will not scroll past the minimum or maximum allowable temperature. 3. Press START. 4. To change the temperature, repeat Step 2. Press START for the change to take effect. 5. Press CANCEL LOWER or OFF LOWER when finished.
FAVORITE	Favorite	<p>The Favorite feature allows you to save time and temperature settings from any active cook function.</p> <ol style="list-style-type: none"> 1. Press and hold FAVORITE. 2. Press the Time/Temp + or - keypad to select the oven in use. 3. The cooking function is now stored as a Favorite, and the control resumes operation of the saved cooking function.
KEEP WARM UPPER KEEP WARM LOWER	Hold warm	<p>Food must be at serving temperature before placing it in the warmed oven.</p> <ol style="list-style-type: none"> 1. Press KEEP WARM for the desired oven. 2. Press the Time/Temp + or - keypad to set the desired temperature. Press and hold to scroll quickly. The temperature will not scroll past the minimum or maximum allowable temperature. 3. Press START. 4. To change the temperature, repeat steps 2 and 3. 5. Press CANCEL for the selected oven when finished.
DELAY START	Delayed start	<p>The Delay Start keypad is used to enter the starting time for an oven function with a delayed start. Delay Start should not be used for foods such as breads and cakes because they may not bake properly.</p> <p>To set a Cook Time or a Delayed Cook Time, see the “Cook Time” section.</p>
COOK TIME	Timed cooking	<p>Cook Time allows the oven to be set to turn on at a certain time of day, cook for a set length of time, and/or shut off automatically. To set a Cook Time or Delayed Cook Time, see the “Cook Time” section.</p>
SELF CLEAN	Self-cleaning cycle	<p>See the “Self-Cleaning Cycle” section in the Owner’s Manual.</p>

KEYPAD	FEATURE	INSTRUCTIONS
START hold 3 sec. to lock	Oven control lockout	<ol style="list-style-type: none"> 1. Check that the ovens and timers are off. 2. Press and hold START for 3 seconds. 3. If enabled, a tone will sound and "CONTROL LOCKED" will be displayed. 4. Repeat to unlock. No keypads will function with the controls locked.
SETTINGS	Oven use functions	Enables you to personalize the audible tones and oven operation to suit your needs. See the "Oven Use" section.

Sealed Surface Burners

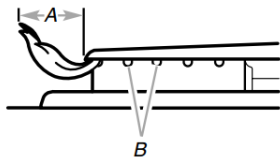


- A. Burner cap
B. Burner base
C. Alignment pins
D. Igniter
E. Gas tube opening

IMPORTANT: Do not obstruct the flow of combustion and ventilation air around the burner grate edges.

Burner cap: Always keep the burner cap in place when using a surface burner. A clean burner cap will help avoid poor ignition and uneven flames. Always clean the burner cap after a spillover and routinely remove and clean the caps according to the "General Cleaning" section in the Owner's Manual.

Gas tube opening: Gas must flow freely throughout the gas tube opening for the burner to light properly. Keep this area free of soil and do not allow spills, food, cleaning agents, or any other material to enter the gas tube opening. Keep spillovers out of the gas tube by always using a burner cap.

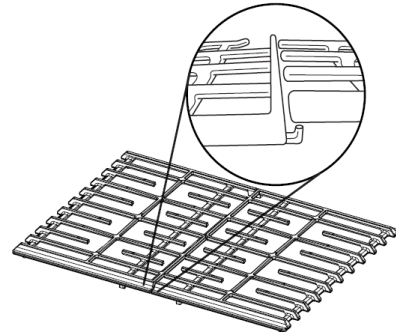


- A. 1-1 $\frac{1}{2}$ " (2.5-3.8 cm) B. Burner ports

Burner ports: Check burner flames occasionally for proper size and shape as shown in the previous illustration. A good flame is blue in color, not yellow. Keep this area free of soil and do not allow spills, food, cleaning agents, or any other material to enter the burner ports.

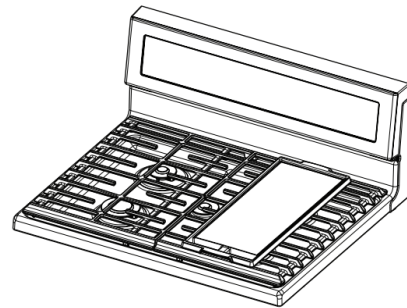
Grates

The grates on this range cover the full width of the cooktop. The two grates may interlock (on some models), using the hook formed into one end of both grates. The flat end of one grate drops onto the hook on the other grate as shown in the following illustration.



On some models, the two grates are identical and can be used on either the left or right side of the cooktop. Grates that are designed for use on only one side of the cooktop will have either "LEFT" or "RIGHT" embossed on the bottom side of the grate.

Griddle



Griddle installed on right side of cooktop

To Use the Griddle:

1. Locate the griddle on the right side grate as shown. The locating feet on the bottom of the griddle will engage the grate tines to keep the griddle from sliding.
2. Before each use, brush on a thin layer of cooking oil to keep food from sticking. Cooking sprays may leave a sticky residue on the griddle that is hard to remove.
3. Preheat the griddle for 5 minutes. Preheating the griddle slowly will ensure even heat distribution and will avoid warping the griddle.
4. For preheating and cooking, set the front burner to the lowest heat setting and the rear burner to Medium-High heat for best performance.

NOTE: The griddle may also be used on the left side grate. For best results, the rear burner setting should be set to Medium-Low or Medium, and the front burner setting should be set to Low.

To Clean the Griddle:

1. Let the griddle cool, and then empty the drip tray
2. See the "General Cleaning" section of your Owner's Manual for cleaning instructions.
3. Store griddle in a cool dry place.

Cookware

IMPORTANT: Do not leave empty cookware on a hot surface cooking area, element, or surface burner.

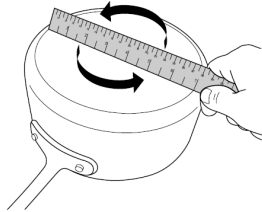
Ideal cookware should have a flat bottom, straight sides, and a well-fitting lid, and the material should be of medium-to-heavy thickness.

Rough finishes may scratch the cooktop or coils. Aluminum and copper may be used as a core or base in cookware. However, when used as a base, they can leave permanent marks on the grates.

Cookware material is a factor in how quickly and evenly heat is transferred which affects cooking results.

Cookware with nonstick surfaces should not be used under the broiler.

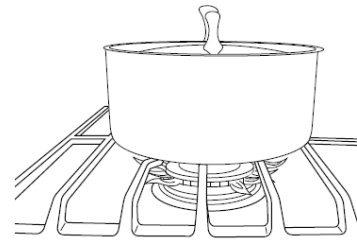
Check for flatness by placing the straight edge of a ruler across the bottom of the cookware. While you rotate the ruler, no space or light should be visible between it and the cookware.



Use the following chart as a guide for cookware material characteristics.

COOKWARE	CHARACTERISTICS
Aluminum	<ul style="list-style-type: none"> ■ Heats quickly and evenly ■ Suitable for all types of cooking. ■ Medium or heavy thickness is best for most cooking tasks. ■ May leave aluminum residues, which may be diminished if cleaned immediately after cooking.
Cast iron	<ul style="list-style-type: none"> ■ Heats slowly and evenly ■ Good for browning and frying. ■ Maintains heat for slow cooking.
Ceramic or Ceramic glass	<ul style="list-style-type: none"> ■ Follow manufacturer's instructions. ■ Heats slowly, but unevenly. ■ Ideal results on low to medium heat settings.
Copper	<ul style="list-style-type: none"> ■ Heats very quickly and evenly. ■ May leave copper residues, which may be diminished if cleaned immediately after cooking.
Earthenware / Stoneware	<ul style="list-style-type: none"> ■ Follow manufacturer's instructions. ■ Use on low heat settings.
Porcelain enamel-on-steel or cast iron	<ul style="list-style-type: none"> ■ See stainless steel or cast iron.
Stainless steel	<ul style="list-style-type: none"> ■ Heats quickly, but unevenly ■ A core or base of aluminum or copper on stainless steel provides even heating.

For best results, the cookware should be centered above the burner with the bottom sitting level on the grate. The flame should be adjusted so that it does not extend up the sides of the pan.



Home Canning

When canning for long periods, alternate the use of surface burners between batches. This allows time for the most recently used areas to cool.

- Center the canner on the grate above the burner.
- Do not place canner on 2 surface burners at the same time.
- For more information, contact your local agricultural extension office, or refer to published home canning guides. Companies that manufacture home canning products can also offer assistance.

OVEN USE

Odors and smoke are normal when the oven is used the first few times or when it is heavily soiled.

IMPORTANT: The health of some birds is extremely sensitive to the fumes given off. Exposure to the fumes may result in death to certain birds. Always move birds to another closed and well ventilated room.

Electronic Oven Controls

Control Display

The display will flash when powered up or after a power loss. Press Cancel to clear. When oven is not in use, the time of day is displayed.

Tones

Tones are audible signals, indicating the following:

One Tone

- Valid keypad press
- Oven is preheated (long tone).
- Kitchen timer (long tone with reminder tone every minute).
- Function has been entered.

Three Tones

- Invalid keypad press

Four Tones

- End of cycle (with reminder tone every minute)

Use the Settings or Options keypad to change the tone settings.

Settings

Many features of the oven control can be adjusted to meet your personal needs. These changes are made using the Settings keypad.

Use the Settings keypad to scroll through the features that can be changed. Each press of the Settings keypad will advance the display to the next setting. After selecting the feature to be changed, the control will prompt you for the required input. Details of all of the feature changes are explained in the following sections.

Press CANCEL UPPER or CANCEL LOWER to exit Settings.

Fahrenheit and Celsius

The temperature is preset to Fahrenheit but can be changed to Celsius.

1. Press SETTINGS until "TEMP UNIT" is displayed.
2. The current setting will be displayed.
3. Press the Time/Temp + keypad to adjust the setting.
4. Press CANCEL UPPER or CANCEL LOWER to exit and display the time of day.

Audible Tones Disable

Turns off all tones, including the end of cycle tone and keypress tones.

1. Press SETTINGS until "SOUND" is displayed.
2. The current setting will be displayed.
3. Press the Time/Temp "+" keypad to adjust the setting.
4. Press CANCEL UPPER or CANCEL LOWER to exit and display the time of day.

Sound Volume

Sets the pitch of the tone to either high or low.

1. Press SETTINGS until "SOUND VOLUME" is displayed.
2. The current setting will be displayed.
3. Press the Time/Temp "+" keypad to adjust the setting.
4. Press CANCEL UPPER or CANCEL LOWER to exit and display the time of day.

End of Cycle Tone

Activates or turns off the tones that sound at the end of a cycle.

1. Press SETTINGS until "END TONE" is displayed.
2. The current setting will be displayed.
3. Press the Time/Temp "+" keypad to adjust the setting.
4. Press CANCEL UPPER or CANCEL LOWER to exit and display the time of day.

Keypress Tones

Activates or turns off the tones when a keypad is pressed.

1. Press SETTINGS until "KEYPRESS TONE" is displayed.
2. The current setting will be displayed.
3. Press the Time/Temp "+" keypad to adjust the setting.
4. Press CANCEL UPPER or CANCEL LOWER to exit and display the time of day.

Reminder Tones Disable

Turns off the short repeating tone that sounds every 1 minute after the end-of-cycle tones.

1. Press SETTINGS until "REMINDER TONE" is displayed.
2. The current setting will be displayed.
3. Press the Time/Temp "+" keypad to adjust the setting.
4. Press CANCEL UPPER or CANCEL LOWER to exit and display the time of day.

12/24 Hour Clock

Turns off the short repeating tone that sounds every 1 minute after the end-of-cycle tones.

1. Press SETTINGS until "12/24 HOUR" is displayed.
2. The current setting will be displayed.
3. Press the Time/Temp + keypad to adjust the setting.
4. Press CANCEL UPPER or CANCEL LOWER to exit and display the time of day.

Demo Mode

IMPORTANT: This feature is intended for use on the sales floor with 120 V power connection and permits the control features to be demonstrated without the oven turning on. If this feature is activated, the oven will not heat.

1. Press SETTINGS until "DEMO MODE" is displayed.
2. The current setting will be displayed.
3. Press the Time/Temp "+" keypad to adjust the setting.
4. Press CANCEL UPPER or CANCEL LOWER to exit and display the time of day.

12-Hour Shut-Off

The oven control is set to automatically shut off the oven 12 hours after the oven initiates a cook or clean function. This will not interfere with any timed or delay cook functions.

1. Press SETTINGS until "12-HR SHUT-OFF" is displayed.
2. The current setting will be displayed.
3. Press the Time/Temp "+" keypad to adjust the setting.
4. Press CANCEL UPPER or CANCEL LOWER to exit and display the time of day.

Languages - Scrolling Display Text

Language options are English, Spanish and French.

1. Press SETTINGS until "LANGUAGE" is displayed.
2. The current setting will be displayed.
3. Press the Time/Temp "+" or "-" keypad to adjust the setting.
4. Press CANCEL UPPER or CANCEL LOWER to exit and display the time of day.

Energy Save

The Energy Save mode deactivates the display to reduce energy consumption. The setting will be activated after being idle for several minutes. Any mode may be used with the range in Energy Save by selecting the desired mode.

1. Press SETTINGS until "ENERGY SAVE" is displayed.
2. The current setting will be displayed.
3. Press the Time/Temp "+" keypad to adjust the setting.
4. Press CANCEL UPPER or CANCEL LOWER to exit and display the time of day.

Oven Temperature Offset Control

IMPORTANT: Do not use a thermometer to measure oven temperature. Elements will cycle on and off as needed to provide consistent temperature, but they may run slightly hot or cool at any point in time due to this cycling. Most thermometers are slow to react to temperature change and will not provide an accurate reading due to this cycling. The oven provides accurate temperatures; however, it may cook faster or slower than your previous oven, so the temperature can be adjusted to personalize it for your cooking needs. It can be changed in Fahrenheit or Celsius.

To Adjust Oven Temperature:

1. Press SETTINGS until "TEMP CALIB" is displayed.
2. The current setting will be displayed. Press the Time/Temp "+" keypad to toggle between the upper and lower ovens.
3. Press START UPPER or START LOWER to select the choice displayed in Step 2. Wait 10 seconds for the display to change or press START UPPER or START LOWER, and then continue with Step 4.
4. Press the Time/Temp "+" keypad to increase the temperature in 5°F (3°C) increments, or press the Time/Temp "-" keypad to decrease the temperature in 5°F (3°C) increments. The range is from -30°F to +30°F (-18°C to +18°C).
5. Press START UPPER or START LOWER.
6. Press CANCEL UPPER or CANCEL LOWER to exit and display the time of day.

Keep Warm

IMPORTANT: Food must be at serving temperature before placing it in the warmed oven. Food may be held up to 1 hour; however, breads and casseroles may become too dry if left in the oven during the Keep Warm function. For best results, cover food.

The Keep Warm or warm feature allows hot cooked foods to stay at serving temperature.

To Use:

1. Press KEEP WARM for the desired oven.
2. Press the Time/Temp "+" or "-" keypad to set the desired temperature. Press and hold to scroll quickly. The temperature will not scroll past the minimum or maximum allowable temperature.

NOTE: The temperature may be changed at any time by pressing the Time/Temp "+" or "-" keypad to enter the desired temperature and then START.

3. Press START.
4. Place food in the oven.
5. Press CANCEL for the selected oven when finished.
6. Remove food from the oven.

To Cancel Keep Warm:

1. Press CANCEL for the selected oven.
2. Remove food from oven.

Sabbath Mode

Sabbath mode sets the oven to remain on in a bake setting until turned off.

When the Sabbath mode is set, only the Bake cycle will operate. All other cooking and cleaning cycles are disabled. No tones will sound and the displays will not indicate temperature changes.

When the oven door is opened or closed, the oven light will not turn on or off and the heating elements will not turn on or off immediately.

To Enable Sabbath Mode Capability (One Time Only):

1. Press SETTINGS until "SABBATH" is displayed.
2. Press the Time/Temp "+" keypad. Sabbath mode can be activated for baking.
3. Press CANCEL UPPER or CANCEL LOWER to save the setting and exit to display the time of day.

NOTE: To disable the Sabbath mode, repeat steps 1 through 3 to change the status from "SABBATH ON" to "SABBATH OFF."

To Activate Sabbath Mode:

1. Press BAKE for the desired oven.
2. Press the Time/Temp "+" or "-" keypad to set the desired temperature. Press and hold to scroll quickly. The temperature will not scroll past the minimum or maximum allowable temperature.
3. Press START.

For timed cooking in Sabbath mode, press COOK TIME, and then press the Temp/Time "+" or "-" keypad to set the desired cook time. Press START.

4. (Optional) If Sabbath mode is to be used for both ovens, repeat steps 1 through 3 for the second oven.
5. Press SETTINGS. Three tones will sound. Then press and hold KITCHEN TIMER for several seconds until "SAB" appears in the display.

To Adjust Temperature (when Sabbath mode is running in only one oven):

1. Press the Temp/Time "+" or "-" keypad as instructed by the scrolling text to select the new temperature.
NOTE: The temperature adjustment will not appear on the display and no tones will sound. The scrolling text will be shown on the display as it was before the keypad was pressed.
2. Press START.

To Adjust Temperature (when Sabbath mode is running in both ovens):

1. Press BAKE for the desired oven.
2. Press the Temp/Time "+" or "-" keypad as instructed by the scrolling text to select the new temperature.
NOTE: The temperature adjustment will not appear on the display and no tones will sound. The scrolling text will be shown on the display as it was before the keypad was pressed.
3. Press START.

To Deactivate Sabbath Mode:

Press SETTINGS, then press and hold KITCHEN TIMER to return to regular baking or press CANCEL UPPER or CANCEL LOWER to turn off the oven(s).

Positioning Racks and Bakeware

Use the following illustrations and charts as a guide for positioning racks.

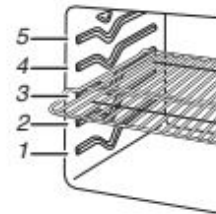
Rack Positions - Upper Oven



Baking and Broiling

Food	Rack Position
All foods	1

Rack Positions - Lower Oven



Food	Rack Position
Large roasts or poultry	1
Roasted meats	2
Most baked goods, casseroles	3
Broiled meats, poultry, fish	4
Broiling/searing meats, hamburgers, steaks	5

Multiple Rack Cooking

2-rack: Use rack positions 2 and 4 for regular baking.

2-rack (convection only): Use rack positions 2 and 4 for convection baking.

Bakeware

To cook food evenly, hot air must be able to circulate. Allow 2" (5.0 cm) of space around bakeware and oven walls. Use the following chart as a guide.

Number of Pan(s)	Position on Rack
1	Center of rack
2	Side-by-side
3 or 4	Refer to the Baking Layer Cakes image in the Quick Start Guide.

Baking and Roasting

Preheating

When beginning a Bake cycle, the oven will begin preheating after Start is pressed. The oven will take approximately 12 to 15 minutes to reach 350°F (177°C) with all of the oven racks provided with your oven inside the oven cavity. Higher temperatures will take longer to preheat. The preheat cycle rapidly increases the oven temperature. The actual oven temperature will go above your set temperature to offset the heat lost when your oven door is opened to insert food. This ensures that when you place your food in the oven, the oven will begin at the proper temperature. Insert your food when the preheat tone sounds. Do not open the door during preheat before the tone sounds.

Rapid Preheat

Rapid Preheat can be used to shorten the preheating time. Only one standard flat oven rack should be in the oven during Rapid Preheat. Extra racks should be removed prior to starting Rapid Preheat. The preheating cycle should be completed before placing food in the oven. When the Rapid Preheat cycle is complete, the oven starts a normal Bake cycle.

IMPORTANT: Rapid Preheat should be used only for single-rack baking.

Oven Temperature

While in use, the oven elements will cycle on and off as needed to maintain a consistent temperature, but they may run slightly hot or cool at any point in time due to this cycling. Opening the oven door while in use will release the hot air and cool the oven which could impact the cooking time and performance. It is recommended to use the oven light to monitor cooking progress.

NOTE: On models with convection, the convection fan may run in the non-convection Bake mode to improve oven performance.

Temperature Management System

The Temperature Management System electronically regulates the oven heat levels during preheat and bake to maintain a precise temperature range for optimal cooking results. The bake and broil elements or burners cycle on and off in intervals. On convection range models, the fan will run while preheating and may be cycled on and off for short intervals during bake to provide the best results. This feature is automatically activated when the oven is in use.

Before baking and roasting, position racks according to the "Positioning Racks and Bakeware" section. When roasting, it is not necessary to wait for the oven preheat cycle to end before putting food in unless it is recommended in the recipe.

Broiling

Close the oven door while broiling. No preheating is necessary. Position food on grid in a broiler pan, and then place it in the center of the oven rack.

NOTE: Odors and smoke are normal the first few times the oven is used or if the oven is heavily soiled.

Changing the temperature when broiling allows more precise control when cooking. The lower the broil setting, the slower the cooking. Thicker cuts and unevenly shaped pieces of meat, fish, and poultry may cook better at lower broil settings. Refer to the "Positioning Racks and Bakeware" section for more information.

On lower settings, the broil element will cycle on and off to maintain the proper temperature.

■ For best results, use a broiler pan and grid. It is designed to drain juices and help avoid spatter and smoke.

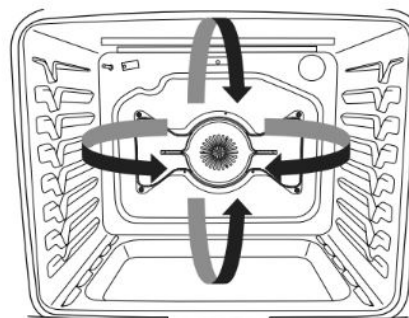
If you would like to purchase a broiler pan, one may be ordered. Please refer to the Quick Start Guide for contact information.

Lower Oven Convection Cooking

In a convection oven, the fan-circulated hot air continually distributes heat more evenly than the natural movement of air in a standard thermal oven. This movement of hot air helps maintain a consistent temperature throughout the oven, cooking foods more evenly, crisping surfaces while sealing in moisture and yielding crustier breads.

If the oven door is opened during convection cooking, the fan will turn off immediately. It will come back on when the oven door is closed.

NOTE: The oven door must be closed for convection broiling.



Position the racks according to the "Positioning Racks and Bakeware" section before starting convection cooking. With convection cooking, most foods can be cooked at a lower temperature or for a shorter length of time. These adjustments can be made using the following chart or by using the EasyConvect™ Conversion feature (for some models) on your range.

Setting	Guidelines
CONVECT BAKE	Reduce the standard baking temperature 25°F (12°C).
CONVECT BROIL	Use standard recipe temperature. Cooking time may be reduced, so the food should be checked for doneness early.
CONVECT ROAST	Use standard recipe temperature. Cooking time may be reduced by 15 to 30% with Convect Roast, so the food should be checked for doneness early.

Bow Tie True Convection

True convection adds an electric element around the convection fan to enhance the cooking performance. Use the following Convect Options chart as a guide.

Convect Options

Setting	Foods
CONVECT BAKE	Single or multiple-rack baking for cookies, biscuits, breads, casseroles, tarts, tortes
CONVECT BROIL	Thicker cuts or unevenly shaped pieces of meat, fish, or poultry
CONVECT ROAST	Whole chicken or turkey, vegetables, pork roasts, beef roasts

Favorite

The Favorite feature allows you to save the time and temperature settings from any active cook function. Only one favorite is allowed for each oven.

To Save a Cooking Function as a Favorite:

1. Press and hold FAVORITE.
2. Press the Time/Temp + or - keypad to select the oven in use.
3. The cooking function is now stored as a Favorite, and the control resumes operation of the saved cooking function.

To Recall and Start a Favorite:

1. Press FAVORITE.
2. Press the Time/Temp + or - keypad to select the oven in use.
3. Press START.

The set temperature can be changed by pressing the Time/Temp + or - keypad and then START. Similarly, the Cook Time can be changed by pressing COOK TIME, the Time/Temp + or - keypad to adjust to the desired time, and then START. If the cook time is adjusted, the time remaining is replaced by the new time.

4. Place food in the oven.
5. Press CANCEL for the oven that is being used when finished.
6. Remove food from the oven.

To Cancel a Favorite Cycle:

1. Press CANCEL for the desired oven.
The stored Favorite cycle will not be affected.
2. Remove food from the oven.

Cook Time

To Set a Timed Cook:

1. Press the keypad for any cooking function except Self-Clean or Keep Warm.
2. Press the Time/Temp "+" or "-" keypad to set the desired temperature. Press and hold to scroll quickly. The temperature will not scroll past the minimum or maximum allowable temperature.
3. Press COOK TIME.
4. Press the Time/Temp "+" or "-" keypad to enter the length of time to cook.
5. Press START. The display will count down the time. When the time ends, the oven will shut off automatically.
The temperature and/or time setting can be changed at any time by repeating steps 2 through 5.
6. Press CANCEL for the desired oven to clear the display.

To Set a Delayed Timed Cook:

1. Press DELAY START.
2. Press the Time/Temp "+" or "-" keypad to select the desired oven.
3. Press the Time/Temp "+" or "-" keypad to enter the number of hours and/or minutes you want to delay the start time. Press and hold to scroll quickly.
4. Press the keypad for any cooking function except Keep Warm.
5. Press the Time/Temp "+" or "-" keypad to set the desired temperature. Press and hold to scroll quickly. The temperature will not scroll past the minimum or maximum allowable temperature.
6. Press START or COOK TIME.
7. Press the Time/Temp "+" or "-" keypad to enter the length of time to cook.
8. Press START.

When the start time is reached, the oven will automatically turn on. The temperature and/or time settings can be changed after the delay countdown by repeating steps 1 through 7. When resetting the time and temperature, it is necessary to press START for the desired oven between steps 4 and 5 to continue making changes.

When the set cook time ends, the oven will shut off automatically.

9. Press CANCEL for the desired oven to clear the display.

Guide des commandes du cuisinière à gaz autoportante four double

GUIDE DES CARACTÉRISTIQUES

AVERTISSEMENT : Pour réduire le risque d'incendie, de décharge électrique ou de blessures, lire les INSTRUCTIONS IMPORTANTES DE SÉCURITÉ du guide d'utilisation de votre appareil avant de faire fonctionner cet appareil.

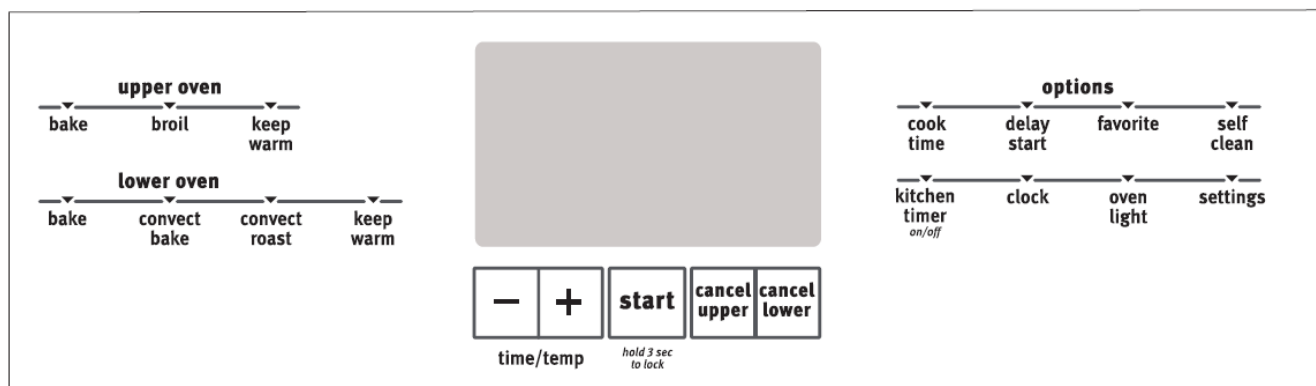
Le présent manuel couvre plusieurs modèles. Le modèle que vous avez peut comporter toutes les caractéristiques énumérées ou seulement certaines d'entre elles. Se reporter à ce manuel ou à la section d'aide des produits de notre site Web à www.maytag.com pour des instructions plus détaillées. Au Canada, consulter la section d'aide relative aux produits au www.maytag.ca.

⚠ AVERTISSEMENT

Risque d'empoisonnement alimentaire

Ne pas laisser des aliments reposer plus d'une heure avant ou après la cuisson.

Le non-respect de cette instruction peut causer un empoisonnement alimentaire ou une maladie.

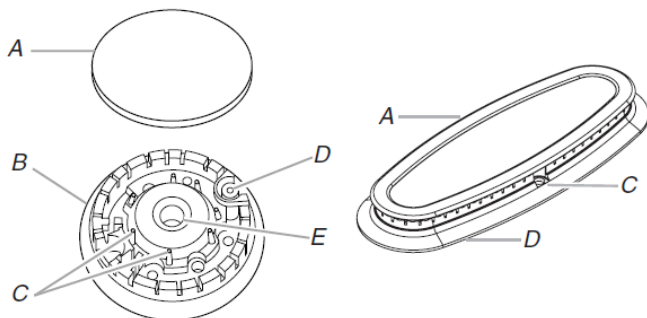


TOUCHE	CARACTÉRIS- TIQUE	INSTRUCTIONS
CLOCK (horloge)	Horloge	<p>Cette horloge peut utiliser un programme de 12 ou 24 heures. Voir la section « Commandes électroniques du four ».</p> <ol style="list-style-type: none"> Appuyer sur la touche CLOCK (horloge). Appuyer sur la touche + de Time/Temp (durée/température) pour AM ou la touche - pour PM. Appuyer sur les touches + ou - de Time/Temp (durée/température) pour régler l'heure du jour. Maintenir enfoncé pour faire défiler rapidement. Appuyer sur CLOCK (horloge) ou START (mise en marche).
Lampe du four	Lampe de la cavité du four	<p>Alors que les portes des fours sont fermées, appuyer sur OVEN LIGHT (lampe du four) pour allumer ou éteindre les lampes. Les lampes du four s'allument à l'ouverture de la porte.</p>
KITCHEN TIMER ON/OFF (marche/arrêt minuterie de cuisine)	Minuterie du four	<p>La minuterie peut être réglée en heures ou en minutes jusqu'à concurrence de 9 heures et 59 minutes.</p> <ol style="list-style-type: none"> Appuyer sur KITCHEN TIMER (minuterie de cuisine). Appuyer sur les touches + ou « + » ou « - » de Time/Temp (durée/température) pour régler la durée en hr-min. Les zéros de gauche peuvent ne pas être entrés. Par exemple, pour saisir 2 minutes, appuyer sur « 2 ». Appuyer sur KITCHEN TIMER (minuterie de cuisine) pour commencer le compte à rebours. Si activés, les signaux sonores de minuterie retentissent à la fin du compte à rebours. L'affichage de l'heure est rétabli à la fin du compte à rebours. Appuyer sur KITCHEN TIMER (minuterie de cuisine) pour annuler la minuterie et revenir à l'heure du jour. Ne pas appuyer sur les touches Cancel (annulation) ou Off (arrêt) sinon le four s'éteindra.
START (mise en marche)	Démarrage de la cuisson	<p>La touche Start (mise en marche) met en marche n'importe quelle fonction du four. Si, après avoir appuyé sur une touche, on n'appuie pas sur Start (mise en marche) dans les 2 minutes qui suivent, la fonction est annulée et l'heure s'affiche.</p>

TOUCHE	CARACTÉRIS- TIQUE	INSTRUCTIONS
CANCEL UPPER (annulation four supérieur) CANCEL LOWER (annulation four inférieur)	Fonction de la cuisinière	<p>Les touches Cancel Upper (annulation four supérieur) et Cancel Lower (annulation four inférieur) désactivent toutes les fonctions du four à l'exception de l'horloge, de la minuterie et du verrouillage des commandes du four sélectionné.</p>
BAKE UPPER (cuisson four supérieur) BAKE LOWER (cuisson four inférieur)	Cuisson au four et rôtissage	<ol style="list-style-type: none"> Appuyer sur la touche BAKE (cuisson au four) du four souhaité. Utiliser les touches + ou - de Time/Temp (durée/température) pour régler la température souhaitée. Maintenir enfoncé pour faire défiler rapidement. Le défilement des températures ne dépasse pas les températures minimale et maximale admissibles. (four inférieur, cuisson au four sur une seule grille uniquement) Appuyer sur START (mise en marche). Le préchauffage rapide démarre. REMARQUE : La fonction de préchauffage rapide doit être utilisée uniquement pour la cuisson au four sur une seule grille. (cuisson au four sur plusieurs grilles) Appuyer sur START (mise en marche) du four souhaité. Appuyer de nouveau sur la touche START (mise en marche) du four souhaité pour annuler le préchauffage rapide. Pour changer la température, répéter l'étape 2. Appuyer sur START (mise en marche) pour que le changement prenne effet. Appuyer sur CANCEL (annulation) pour le four sélectionné une fois terminé.
BROIL (cuisson au grill four supérieur seulement)	Cuisson au grill	<ol style="list-style-type: none"> Appuyer sur BROIL (cuisson au grill). Utiliser les touches + ou - de Time/Temp (durée/température) pour régler la température souhaitée. Maintenir enfoncé pour faire défiler rapidement. Le défilement des températures ne dépasse pas les températures minimale et maximale admissibles. Appuyer sur la bouton START (mise en marche) correspondant au four sélectionné. Aucun préchauffage n'est nécessaire. Placer l'ustensile de cuisson dans le four. Fermer la porte. Appuyer sur CANCEL UPPER (annulation four supérieur) après avoir terminé.
CONVECT BAKE (cuisson au four par convection)	Cuisson par convection	<ol style="list-style-type: none"> Appuyer sur CONVECT BAKE (cuisson au four par convection). Utiliser les touches + ou - de Time/Temp (durée/température) pour régler la température souhaitée. Maintenir enfoncé pour faire défiler rapidement. Le défilement des températures ne dépasse pas les températures minimale et maximale admissibles. (four inférieur, cuisson au four sur une seule grille uniquement) Appuyer sur START (mise en marche). Le préchauffage rapide démarre. IMPORTANT : La fonction de préchauffage rapide doit être utilisée uniquement pour la cuisson au four sur une seule grille. (Cuisson au four sur plusieurs grilles) Appuyer sur START (mise en marche). Appuyer sur START (mise en marche) de nouveau pour annuler le préchauffage rapide.. Pour changer la température, répéter l'étape 2. Appuyer sur START (mise en marche) pour que le changement prenne effet. Appuyer sur CANCEL LOWER (annulation du four inférieur) après avoir terminé.
CONVECT ROAST (rôtissage par convection)	Cuisson par convection	<ol style="list-style-type: none"> Appuyer sur CONVECT ROAST (rôtissage par convection). Utiliser les touches + ou - de Time/Temp (durée/température) pour régler la température souhaitée. Maintenir enfoncé pour faire défiler rapidement. Le défilement des températures ne dépasse pas les températures minimale et maximale admissibles. Appuyer sur START (mise en marche). Pour changer la température, répéter l'étape 2. Appuyer sur START (mise en marche) pour que le changement prenne effet. Appuyer sur CANCEL LOWER (annulation four inférieur) ou OFF LOWER (arrêt four inférieur) après avoir terminé.
FAVORITE (recette favorite)	Recette favorite	<p>La caractéristique Favori permet de sauvegarder les réglages de durée et de température de n'importe quelle fonction de cuisson active.</p> <ol style="list-style-type: none"> Appuyer sans relâcher sur FAVORITE (recette favorite). Appuyer sur les touches + ou - de Time/Temp (durée/température) pour sélectionner le four en cours d'utilisation. La fonction de cuisson est à présent sauvegardée comme favori, et le module de commande poursuit le fonctionnement de la fonction de cuisson sauvegardée.

TOUCHE	CARACTÉRIS- TIQUE	INSTRUCTIONS
KEEP WARM UPPER (maintien au chaud four supérieur) KEEP WARM LOWER (maintien au chaud four inférieur)	Maintien au chaud	Les aliments doivent être à la température de service avant d'être placés dans le four chaud. 1. Appuyer sur la touche KEEP WARM (maintien au chaud) du four souhaité. 2. Utiliser les touches + ou - de Time/Temp (durée/température) pour régler la température souhaitée. Maintenir enfoncé pour faire défiler rapidement. Le défilement des températures ne dépasse pas les températures minimale et maximale admissibles. 3. Appuyer sur START (mise en marche). 4. Pour changer la température, répéter les étapes 2 et 3. 5. Appuyer sur CANCEL (annulation) pour le four sélectionné une fois terminé.
DELAY START (mise en marche différée)	Mise en marche différée	La touche Delay Start (mise en marche différée) sert à entrer l'heure de mise en marche pour un four équipé de mise en marche différée. La mise en marche différée ne doit pas être utilisée pour les aliments tels que pains et gâteaux, car ils risquent de ne pas bien cuire. Pour régler une durée de cuisson définie ou une durée de cuisson différée, voir la section « Durée de cuisson ».
COOK TIME (durée de cuisson)	Cuisson minutée	La fonction Cook Time (durée de cuisson) permet d'allumer le four à une certaine heure de la journée, d'effectuer une cuisson pendant une durée déterminée et/ou d'éteindre le four automatiquement. Pour régler une durée de cuisson définie ou une durée de cuisson différée, voir la section La « Durée de cuisson ».
SELF CLEAN (autonettoyage)	Programme d'autonettoyage	Consulter la section « Programme d'autonettoyage » du manuel d'utilisation.
STARThold 3 sec. to lock (mise en marche [appuyer pendant 3 s pour verrouiller])	Verrouillage des commandes du four	1. Vérifier que le four et les minuteriers sont éteints. 2. Appuyer sur START pendant 3 secondes. 3. Si cette fonction est activée un signal sonore retentit et « CONTROL LOCKED » (tableau de commande verrouillé) s'affiche. 4. Répéter ces étapes pour déverrouiller. Aucune touche ne fonctionne lorsque les commandes sont verrouillées.
SETTINGS (réglages)	Fonctions d'utilisation du four	Permet de personnaliser les signaux sonores et le fonctionnement du four selon les préférences de l'utilisateur. Voir la section « Utilisation du four ».

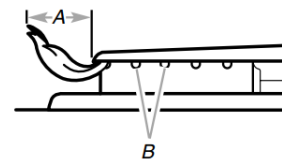
Brûleurs de surface scellés



A. Chapeau de brûleur
B. Base du brûleur

C. Tiges d'alignement
D. Allumeur
E. Ouverture du tube d'arrivée de gaz

Ouverture du tube d'arrivée de gaz : Pour que le brûleur s'allume convenablement, il faut que le gaz puisse passer librement à travers l'orifice. Garder cette zone propre et ne pas laisser les produits renversés, les aliments, les agents de nettoyage ou tout autre produit pénétrer dans l'ouverture du tube d'arrivée de gaz. Toujours utiliser un chapeau de brûleur pour protéger le tube de gaz contre tout renversement.



A. 1-1/2 po
(2,5-3,8 cm)

B. Orifices de brûleur

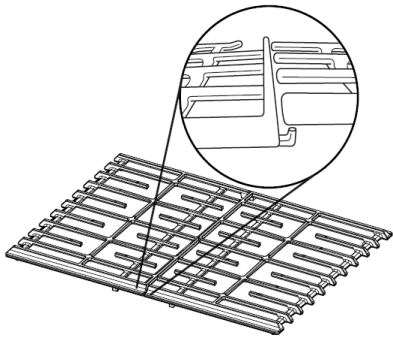
IMPORTANT : Ne pas entraver l'évacuation de l'air de combustion et de ventilation autour des bords des grilles de brûleur.

Chapeau de brûleur : Toujours garder le chapeau de brûleur en place lorsqu'un brûleur de surface est utilisé. Un chapeau de brûleur propre aide à empêcher le mauvais allumage et les flammes irrégulières. Toujours nettoyer le chapeau du brûleur après un renversement; enlever et nettoyer régulièrement les chapeaux comme indiqué à la section « Nettoyage général » du manuel d'utilisation.

Orifices de brûleur : Examiner occasionnellement les flammes des brûleurs pour en vérifier la taille et la forme comme indiqué dans l'illustration précédente. Une bonne flamme est bleue plutôt que jaune. Garder cette zone exempte de souillures et ne pas laisser les produits renversés, les aliments, les agents de nettoyage ou autre produit pénétrer dans les orifices de brûleur.

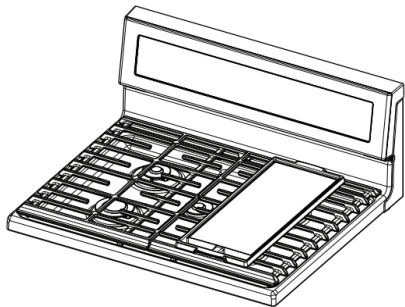
Grilles

Les grilles de cette cuisinière couvrent toute la table de cuisson en largeur. Il est possible d'imbriquer les deux grilles (sur certains modèles) à l'aide du crochet situé à une extrémité de chacune d'entre elles. L'extrémité plate d'une des grilles s'emboîte sur le crochet de l'autre grille tel qu'indiqué dans l'illustration suivante.



Sur certains modèles, les deux grilles sont identiques et peuvent être utilisées du côté gauche ou droit de la table de cuisson. Les grilles conçues pour être utilisées uniquement sur un côté de la table de cuisson portent les indications « LEFT » (gauche) ou « RIGHT » (droite) sur leur face inférieure.

Plaque à frire



Plaque à frire installée du côté droit de la table de cuisson

Utilisation de la plaque à frire :

1. Localiser la plaque à frire sur le côté droit de la table de cuisson tel qu'indiqué. Les pieds de positionnement sur le dessous de la plaque à frire s'engagent dans les tiges de la grille pour empêcher la plaque à frire de glisser.
2. Avant chaque utilisation, passer une fine couche d'huile de cuisson afin d'empêcher les aliments de coller. Les aérosols de cuisson peuvent laisser un résidu collant sur la plaque à frire, qui sera difficile à enlever.
3. Préchauffer la plaque à frire pendant 5 minutes. Un préchauffage lent assure une distribution homogène de la chaleur et évite de déformer la plaque à frire.
4. Pour un préchauffage et une cuisson parfaits, placer le brûleur avant au réglage de chaleur le plus faible et le brûleur arrière au réglage de chaleur moyen-élevé.

REMARQUE : La plaque à frire peut également être utilisée sur la grille de gauche. Pour une performance optimale, placer le brûleur arrière au réglage de chaleur moyen-élevé ou moyen, et le brûleur avant au réglage de chaleur le plus faible.

Nettoyage de la plaque à frire :

1. Laisser la plaque à frire refroidir et vider ensuite le plateau ramasse-gouttes
2. Consulter la section « Nettoyage général » du Manuel d'utilisation pour obtenir des instructions de nettoyage.
3. Conserver la plaque à frire dans un lieu sec et frais.

Ustensile de cuisson

IMPORTANT : Ne pas laisser d'ustensile de cuisson vide sur une surface de cuisson, un élément ou un brûleur de surface chaud.

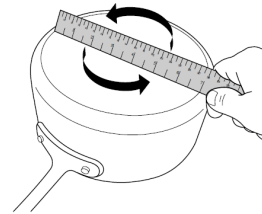
Les ustensiles de cuisson idéals doivent avoir un fond plat, des parois droites, un couvercle qui ferme hermétiquement et le matériau doit être d'épaisseur moyenne à forte.

Les finis rugueux peuvent érafler la table de cuisson ou les éléments. L'aluminium et le cuivre peuvent être utilisés comme fond ou base d'un ustensile de cuisson. Toutefois, lorsqu'ils sont utilisés comme base, ils peuvent laisser des marques permanentes sur les grilles.

Le matériau d'un ustensile a une influence sur la rapidité et l'uniformité de la transmission de la chaleur lesquelles contribuent aux résultats de cuisson.

Les ustensiles de cuisson avec surface antiadhésive ne doivent pas être utilisés sous le gril.

Vérifier que le récipient est plat en plaçant le bord plat d'une règle en travers du fond du récipient. Lorsque l'on fait tourner la règle, aucun espace ou jour ne doit être visible entre celle-ci et le récipient.



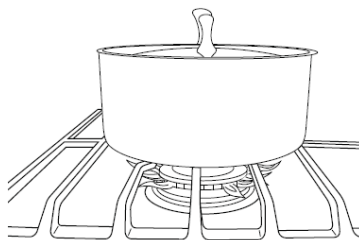
Utiliser le tableau suivant comme guide pour les caractéristiques du matériau d'ustensile de cuisson.

USTENSILES DE CUISSON	CARACTÉRISTIQUES
Aluminium	<ul style="list-style-type: none">■ Chauffe rapidement et uniformément■ Convient à tous les genres de cuisson.■ L'épaisseur moyenne ou forte convient le mieux pour la plupart des tâches de cuisson.■ Peut laisser des résidus d'aluminium. Pour en réduire la quantité, les nettoyer immédiatement après la cuisson.
Fonte	<ul style="list-style-type: none">■ Chauffe lentement et uniformément■ Convient pour le brunissage et la friture.■ Maintient la chaleur pour une cuisson lente.
Céramique ou vitrocéramique	<ul style="list-style-type: none">■ Suivre les instructions du fabricant.■ Chauffe lentement, mais inégalement.■ Les meilleurs résultats sont obtenus sur les réglages de chaleur basse à moyenne.
Cuivre	<ul style="list-style-type: none">■ Chauffe très rapidement et uniformément.■ Peut laisser des résidus de cuivre. Pour en réduire la quantité, les nettoyer immédiatement après la cuisson.
Terre cuite/grès	<ul style="list-style-type: none">■ Suivre les instructions du fabricant.■ Utiliser des réglages de température basse.

Acier émaillé en porcelaine ou fonte émaillée ■ Voir acier inoxydable ou fonte.

Acier inoxydable ■ Chauffe rapidement, mais inégalement
■ Un fond ou une base d'aluminium ou de cuivre sur l'acier inoxydable procure un chauffage uniforme.

Pour obtenir les meilleurs résultats, les ustensiles de cuisson doivent être centrés au-dessus du brûleur tout en étant posés à l'horizontale au fond sur la grille. La flamme doit être réglée de sorte qu'elle ne s'étende pas sur les côtés du plat.



Mise en conserve à la maison

Lors de la préparation de conserves pendant de longues périodes, alterner l'utilisation des brûleurs de surface de cuisson entre chaque quantité préparée. Ceci permet aux dernières surfaces utilisées de refroidir.

- Centrer l'autoclave sur la grille située au-dessus du brûleur.
- Ne pas placer l'autoclave sur 2 brûleurs de surface en même temps.
- Pour plus de renseignements, contacter votre bureau de développement agricole local, ou consulter les guides publiés sur la mise en conserve domestique. Les compagnies qui fabriquent des produits pour la préparation de conserves peuvent aussi offrir de l'aide.

UTILISATION DU FOUR

Des odeurs et de la fumée sont normales lorsque le four est utilisé les premières fois et lorsqu'il est très sale.

IMPORTANT : Les émanations de fumée peuvent mettre en danger la santé de certains oiseaux qui y sont extrêmement sensibles. L'exposition aux émanations peut entraîner la mort de certains oiseaux. Toujours déplacer les oiseaux dans une autre pièce fermée et bien aérée.

Commandes électroniques du four

Affichage des commandes

L'affichage clignote à la mise sous tension ou après une coupure de courant. Appuyer sur Cancel (annulation) pour effacer. Lorsque le four n'est pas utilisé, l'heure s'affiche.

Signaux sonores

Les signaux sonores avertissent l'utilisateur de divers événements :

Un seul signal sonore

- Appui sur une touche valide
- Préchauffage du four terminé (signal sonore long).
- Minuteur de cuisine (signal sonore long avec signal sonore de rappel chaque minute).
- Saisie d'une fonction.

Trois signaux sonores

- Appui sur une touche non valide

Quatre signaux sonores

- Fin de programme (avec un signal sonore de rappel chaque minute)

Appuyer sur la touche Settings (réglages) ou Options pour modifier les réglages des signaux sonores.

Réglages

De nombreuses fonctions du four peuvent être réglées pour répondre à vos besoins. On effectue ces changements à l'aide de la touche Settings (réglages).

Utiliser la touche Settings (réglages) pour faire défiler les caractéristiques qui peuvent être modifiées. L'affichage passe au réglage suivant à chaque pression supplémentaire sur Settings (réglages). Après avoir sélectionné la fonction à modifier, le tableau de commande demande à l'utilisateur d'effectuer la manœuvre nécessaire. Les sections suivantes détaillent toutes les fonctions modifiables.

Appuyer sur CANCEL UPPER (annulation four supérieur) ou CANCEL LOWER (annulation four inférieur) pour quitter les réglages.

Fahrenheit et Celsius

La température est pré-réglée pour un affichage en degrés Fahrenheit, mais on peut l'afficher en degrés Celsius.

1. Appuyer sur SETTINGS (réglages) jusqu'à ce que « TEMP UNIT » (unité de température) soit affiché.
2. Le réglage en cours s'affiche.
3. Appuyer sur la touche + de Time/Temp (durée/température) pour changer le réglage.
4. Appuyer sur CANCEL UPPER (annulation four supérieur) ou CANCEL LOWER (annulation four inférieur) pour quitter et afficher l'heure.

Désactivation des signaux sonores

Désactive tous les signaux sonores, y compris le signal sonore de fin de programme et les signaux sonores d'appui sur un bouton.

1. Appuyer sur SETTINGS (réglages) jusqu'à ce que « SOUND » (son) s'affiche.
2. Le réglage en cours s'affiche.
3. Appuyer sur la touche « + » de Time/Temp (durée/température) pour changer le réglage.
4. Appuyer sur CANCEL UPPER (annulation four supérieur) ou CANCEL LOWER (annulation four inférieur) pour quitter et afficher l'heure.

Volume sonore

Règle la hauteur du signal sonore à bas ou élevé.

1. Appuyer sur SETTINGS (réglages) jusqu'à ce que « SOUND VOLUME » (volume sonore) s'affiche.
2. Le réglage en cours s'affiche.
3. Appuyer sur la touche « + » de Time/Temp (durée/température) pour changer le réglage.
4. Appuyer sur CANCEL UPPER (annulation four supérieur) ou CANCEL LOWER (annulation four inférieur) pour quitter et afficher l'heure.

Signal sonore de fin de programme

Active ou désactive les signaux sonores émis à la fin d'un programme.

1. Appuyer sur SETTINGS (réglages) jusqu'à ce que « END TONE » (son de fin) s'affiche.
2. Le réglage en cours s'affiche.
3. Appuyer sur la touche « + » de Time/Temp (durée/température) pour changer le réglage.
4. Appuyer sur CANCEL UPPER (annulation four supérieur) ou CANCEL LOWER (annulation four inférieur) pour quitter et afficher l'heure.

Sons des touches

Active ou désactive les signaux sonores lorsqu'on appuie sur une touche.

1. Appuyer sur SETTINGS (réglages) jusqu'à ce que « KEYPRESS TONE » (son des touches) s'affiche.
2. Le réglage en cours s'affiche.
3. Appuyer sur la touche « + » de Time/Temp (durée/température) pour changer le réglage.
4. Appuyer sur CANCEL UPPER (annulation four supérieur) ou CANCEL LOWER (annulation four inférieur) pour quitter et afficher l'heure.

Désactivation des signaux sonores de rappel

Désactive le signal sonore bref qui retentit chaque minute après le signal sonore de fin de programme.

1. Appuyer sur SETTINGS (réglages) jusqu'à ce que « REMINDER TONE » (son de rappel) s'affiche.
2. Le réglage en cours s'affiche.
3. Appuyer sur la touche « + » de Time/Temp (durée/température) pour changer le réglage.
4. Appuyer sur CANCEL UPPER (annulation four supérieur) ou CANCEL LOWER (annulation four inférieur) pour quitter et afficher l'heure.

Horloge 12/24 heures

Désactive le signal sonore bref qui retentit chaque minute après le signal sonore de fin de programme.

1. Appuyer sur SETTINGS (réglages) jusqu'à ce que « 12/24 HOUR » (horloge 12/24 heures) s'affiche.
2. Le réglage en cours s'affiche.
3. Appuyer sur la touche « + » de Time/Temp (durée/température) pour changer le réglage.
4. Appuyer sur CANCEL UPPER (annulation four supérieur) ou CANCEL LOWER (annulation four inférieur) pour quitter et afficher l'heure.

Mode de démonstration

IMPORTANT : Destinée au personnel en magasin, cette fonction permet, avec un raccordement au secteur 120 V, de présenter les fonctions des commandes sans pour autant activer le four. Si cette fonction est activée, le four ne chauffe pas.

1. Appuyer sur SETTINGS (réglages) jusqu'à ce que « DEMO MODE » (mode de démonstration) s'affiche.
2. Le réglage en cours s'affiche.
3. Appuyer sur la touche « + » de Time/Temp (durée/température) pour changer le réglage.
4. Appuyer sur CANCEL UPPER (annulation four supérieur) ou CANCEL LOWER (annulation four inférieur) pour quitter et afficher l'heure.

Arrêt au bout de 12 heures

Le four est configuré pour s'éteindre automatiquement 12 heures après avoir activé une fonction de cuisson ou de nettoyage. Cette fonction ne perturbe aucune fonction de cuisson minutée ou différée.

1. Appuyer sur SETTINGS (réglages) jusqu'à ce que « 12-HR SHUT-OFF » (arrêt au bout de 12 heures) s'affiche.
2. Le réglage en cours s'affiche.
3. Appuyer sur la touche « + » de Time/Temp (durée/température) pour changer le réglage.
4. Appuyer sur CANCEL UPPER (annulation four supérieur) ou CANCEL LOWER (annulation four inférieur) pour quitter et afficher l'heure.

Langue du texte inscrit sur l'affichage

Les options de langue sont l'anglais, l'espagnol et le français.

1. Appuyer sur SETTINGS (réglages) jusqu'à ce que « LANGUAGE » (langue) s'affiche.
2. Le réglage en cours s'affiche.
3. Appuyer sur la touche « + » ou « - » de Time/Temp (durée/température) pour changer le réglage.
4. Appuyer sur CANCEL UPPER (annulation four supérieur) ou CANCEL LOWER (annulation four inférieur) pour quitter et afficher l'heure.

Économie d'énergie

Le mode Energy Save (économie d'énergie) désactive l'affichage pour réduire la consommation d'énergie. Le réglage sera activé après plusieurs minutes d'inactivité. On peut utiliser n'importe quel mode avec la cuisinière dans le mode d'économie d'énergie; il suffit de sélectionner le mode souhaité.

1. Appuyer sur SETTINGS (réglages) jusqu'à ce que « ENERGY SAVE » (économie d'énergie) soit affiché.
2. Le réglage en cours s'affiche.
3. Appuyer sur la touche « + » de Time/Temp (durée/température) pour changer le réglage.
4. Appuyer sur CANCEL UPPER (annulation four supérieur) ou CANCEL LOWER (annulation four inférieur) pour quitter et afficher l'heure.

Commande de décalage de température du four

IMPORTANT : Ne pas utiliser de thermomètre pour mesurer la température du four. Les éléments chauffants s'allument et s'éteignent en alternance pour maintenir une température constante, mais leur température peut varier légèrement dans un sens ou dans l'autre du fait de cette alternance. De nombreux thermomètres réagissent lentement à un changement de température, et ne donneront pas une mesure exacte du fait de cette alternance. Le four fournit des températures précises; toutefois, il peut cuire plus rapidement ou plus lentement que votre ancien four, c'est pourquoi la température peut être ajustée à vos besoins de cuisson. Elle peut être modifiée en degrés Fahrenheit ou Celsius.

Réglage de la température du four :

1. Appuyer sur SETTINGS (réglages) jusqu'à ce que « TEMP CALB » (calibration de la température) soit affiché.
2. Le réglage en cours s'affiche. Appuyer sur la touche « + » de Time/Temp (durée/température) pour passer du four supérieur au four inférieur et inversement.
3. Appuyez sur START UPPER (mise en marche du four supérieur) ou START LOWER (mise en marche du four inférieur) pour sélectionner le choix affiché à l'étape 2. Attendre 10 secondes que l'affichage change ou appuyer sur START UPPER (mise en marche du four supérieur) ou START LOWER (mise en marche du four inférieur) puis passer à l'étape 4.
4. Appuyer sur la touche « + » de Time/Temp (durée/température) pour augmenter la température par paliers de 5 °F (3 °C) ou sur la touche « - » de Time/Temp (durée/température) pour diminuer la température par paliers de 5 °F (3 °C). L'intervalle de réglage est entre -30 °F et +30 °F (-18 °C à +18 °C).
5. Appuyer sur START UPPER (mise en marche du four supérieur) ou START LOWER (mise en marche du four inférieur).
6. Appuyer sur CANCEL UPPER (annulation four supérieur) ou CANCEL LOWER (annulation four inférieur) pour quitter et afficher l'heure.

Keep Warm (maintien au chaud)

IMPORTANT : Les aliments doivent être à la température de service avant d'être placés dans le four chaud. Les aliments peuvent être gardés au four jusqu'à une heure; toutefois, les pains et les mets en sauce peuvent devenir trop secs s'ils sont laissés dans le four alors que la fonction Keep Warm (maintien au chaud) est activée. Pour de meilleurs résultats, couvrir les aliments.

La fonction Keep Warm (maintien au chaud) ou Warm (réchauffer) permet de garder les aliments cuits chauds à la température de service.

Utilisation :

1. Appuyer sur la touche KEEP WARM (maintien au chaud) du four souhaité.
2. Utiliser les touches « + » ou « - » de Time/Temp (durée/température) pour régler la température souhaitée. Maintenir enfoncé pour faire défiler rapidement. Le défilement des températures ne dépasse pas les températures minimale et maximale admissibles.
REMARQUE : La température peut être modifiée à tout moment en appuyant sur la touche « + » ou « - » de Time/Temp (durée/température) pour entrer la température souhaitée puis en appuyant sur START (mise en marche).
3. Appuyer sur START (mise en marche).
4. Placer les aliments dans le four.
5. Appuyer sur CANCEL (annulation) pour le four sélectionné une fois terminé.
6. Retirer les aliments du four.

Pour annuler la fonction de maintien au chaud :

1. Appuyer sur la touche CANCEL (annulation) correspondant au four sélectionné.
2. Retirer les aliments du four.

Mode Sabbath (Sabbat)

Le mode Sabbath permet au four de continuer à fonctionner sur un réglage de cuisson au four jusqu'à ce qu'on l'éteigne.

Lorsque le mode Sabbath est réglé, seul le programme de cuisson au four fonctionne. Tous les autres programmes de cuisson et de nettoyage sont désactivés. Aucun signal sonore ne retentit et les affichages n'indiquent pas les changements de température.

Lorsque la porte du four est ouverte ou fermée, la lampe du four ne s'allume ou ne s'éteint pas et les éléments de chauffage ne s'allument ou ne s'éteignent pas immédiatement.

Activation du mode Sabbath (Sabbat) (une seule fois) :

1. Appuyer sur SETTINGS (réglages) jusqu'à ce que « SABBATH » (Sabbat) s'affiche.
2. Appuyer sur la touche + de Time/Temp (durée/température). Le mode Sabbath (Sabbat) peut être utilisé pour la cuisson au four.
3. Appuyer sur CANCEL UPPER (annulation four supérieur) or CANCEL LOWER (annulation four inférieur) pour sauvegarder les réglages et quitter pour afficher l'heure.

REMARQUE : Pour désactiver le Sabbath Mode (mode Sabbath), répéter les étapes 1 à 3 pour changer l'état de « SABBATH ON » (mode Sabbath activé) à « SABBATH OFF » (mode Sabbath désactivé).

Activation du mode Sabbath (Sabbat) :

1. Appuyer sur la touche BAKE (cuisson au four) du four souhaité.
2. Utiliser les touches « + » ou « - » de Time/Temp (durée/température) pour régler la température souhaitée. Maintenir enfoncé pour faire défiler rapidement. Le défilement des températures ne dépasse pas les températures minimale et maximale admissibles.

3. Appuyer sur START (mise en marche).
Pour une cuisson minutée au mode Sabbath, appuyer sur COOK TIME (durée de cuisson), puis sur la touche « + » ou « - » de Time/Temp (durée/température) pour régler la durée de cuisson désirée. Appuyer sur START (mise en marche).
4. (facultatif) Si le mode Sabbath doit être activé pour les deux fours, répéter les étapes 1 à 3 pour le second four.
5. Appuyer sur SETTINGS (réglages). Trois signaux sonores retentissent. Appuyer ensuite sur la touche KITCHEN TIMER (minuterie de cuisine) pendant quelques secondes jusqu'à ce que « SAB » s'affiche..

Réglage de la température (lorsque le mode Sabbath fonctionne sur seulement un four) :

1. Appuyer sur la touche « + » ou « - » de Time/Temp (durée/température) comme indiqué par le texte déroulant afin de sélectionner la nouvelle température.
REMARQUE : Le changement de température n'apparaît pas sur l'affichage et aucun son n'est émis. Le texte déroulant s'affiche tel qu'il était avant que l'on n'appuie sur la touche.
2. Appuyer sur START (mise en marche).

Réglage de la température (lorsque le mode Sabbath fonctionne sur les deux fours) :

1. Appuyer sur la touche BAKE (cuisson au four) du four souhaité.
2. Appuyer sur la touche « + » ou « - » de Time/Temp (durée/température) comme indiqué par le texte déroulant afin de sélectionner la nouvelle température.
REMARQUE : Le changement de température n'apparaît pas sur l'affichage et aucun son n'est émis. Le texte déroulant s'affiche tel qu'il était avant que l'on n'appuie sur la touche.
3. Appuyer sur START (mise en marche).

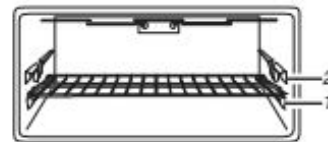
Désactivation du mode Sabbath (Sabbat) :

Appuyer sur SETTINGS (réglages), puis appuyer longuement sur KITCHEN TIMER (minuterie de cuisine) pour revenir à la cuisson au four traditionnelle ou appuyer sur CANCEL UPPER (annulation four supérieur) ou CANCEL LOWER (annulation four inférieur) pour éteindre le ou les fours.

Positionnement des grilles et des ustensiles de cuisson au four

Utiliser les illustrations et les tableaux suivants comme guide de positionnement des grilles.

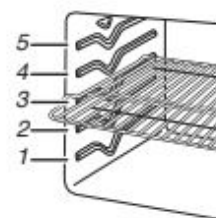
Positions de grille - Four supérieur



Cuisson au four et cuisson au gril

Aliment	Position de grille
Tous les aliments	1

Positions de grille - Four inférieur



Aliment	Position de grille
Gros rôtis/volailles	1
Viandes rôties	2
La plupart des produits de boulangerie, mets en sauce	3
Viandes grillées, volaille, poisson	4
Cuire au gril/griller les viandes, les hamburgers, les steaks	5

Cuisson sur plusieurs grilles

Cuisson sur 2 grilles : Utiliser les positions de grille 2 et 4 pour la cuisson ordinaire.

Cuisson sur 2 grilles (par convection uniquement) : Utiliser les positions de grille 2 et 4 pour la cuisson par convection.

Ustensiles de cuisson

L'air chaud doit pouvoir circuler autour de l'aliment pour le cuire uniformément. Laisser 2 po (5,0 cm) entre les ustensiles de cuisson et les parois du four. Utiliser le tableau suivant comme guide.

Nombre d'ustensiles	Position sur la grille
1	Centre de la grille
2	Côte-à-côte
3 ou 4	Consulter l'image Cuisson au four de gâteaux à étages du guide de démarrage rapide.

Cuisson au four et rôtissage

Préchauffage

Au début d'un programme de cuisson au four (Bake), le four commence par un préchauffage une fois que la touche Start (mise en marche) est enfoncée. Le four atteint 350 °F (177 °C) en 12 à 15 minutes environ lorsque toutes les grilles fournies avec le four sont à l'intérieur de la cavité du four. Pour atteindre une température plus élevée, le préchauffage est plus long. Le programme de préchauffage augmente rapidement la température du four. La température réelle du four dépasse alors la température programmée, pour compenser la chaleur perdue à l'ouverture du four pour y introduire le plat à cuire. Ainsi, le four entame la cuisson à la température correcte après y avoir placé le plat. Placer les aliments au four lorsque le signal sonore de préchauffage retentit. Ne pas ouvrir la porte du four pendant le préchauffage tant que le signal sonore n'a pas retenti.

Rapid Preheat (préchauffage rapide)

La fonction Rapid Preheat (préchauffage rapide) peut servir à réduire la durée de préchauffage. Durant le préchauffage rapide, seule une grille doit se trouver dans le four. Les autres grilles doivent être retirées avant de démarrer le préchauffage rapide. Le programme de préchauffage doit être terminé avant de placer de la nourriture dans le four. Une fois le programme de préchauffage rapide terminé, le four commence un programme normal de cuisson au four.

IMPORTANT : La fonction de préchauffage rapide doit être utilisée uniquement pour la cuisson au four sur une seule grille.

Température du four

En cours d'utilisation, les éléments chauffants du four s'allument et s'éteignent en alternance pour maintenir une température constante, mais leur température peut varier légèrement dans un sens ou dans l'autre du fait de cette alternance. L'ouverture de la porte du four en cours d'utilisation laisse échapper l'air chaud et refroidit le four, ce qui peut modifier la durée nécessaire et le résultat de la cuisson. Pour suivre l'avancement de la cuisson, il est conseillé d'utiliser l'éclairage du four.

REMARQUE : Sur les modèles équipés d'une fonction de convection, le ventilateur de convection peut tourner dans le mode de cuisson sans convection pour améliorer la performance du four.

Système de gestion de la température

Le système de contrôle de la température contrôle électroniquement les niveaux de température du four durant le préchauffage et la cuisson afin de maintenir une gamme précise de températures pour des résultats de cuisson optimaux. Les éléments de cuisson au four et au gril ou les brûleurs s'allument et s'éteignent en alternance. Pour les cuisinières à convection, le ventilateur fonctionne pendant le préchauffage et peut s'allumer et s'éteindre pendant de courts intervalles dans le mode Bake (cuisson au four) afin de produire un meilleur résultat. Ce comportement est automatique lorsque le four est utilisé.

Avant la cuisson au four et le rôtissage, placer les grilles tel qu'indiqué à la section « Positionnement des grilles et des ustensiles de cuisson au four ». Lors du rôtissage, il n'est pas nécessaire d'attendre la fin du programme de préchauffage du four avant de placer les aliments, sauf si la recette le recommande.

Broiling (cuisson au gril)

Fermer la porte du four durant la cuisson au gril. Aucun préchauffage n'est nécessaire. Placer l'aliment sur la grille de la lèchefrite, puis placer celle-ci au centre de la grille du four.

REMARQUE : Des odeurs et de la fumée sont normales lorsque le four est utilisé les premières fois ou lorsqu'il est très sale.

Le changement de température lors de la cuisson au gril permet un contrôle plus précis de la cuisson. Plus le réglage du gril est bas, plus la cuisson est lente. Les morceaux épais et de forme irrégulière de viande, de poisson et de volaille cuisent mieux à des réglages de gril plus bas. Consulter la section « Positionnement des grilles et des ustensiles de cuisson » pour plus d'informations.

À des réglages inférieurs, l'élément de cuisson au gril s'allume et s'éteint par intermittence afin de maintenir une température adéquate.

- Pour de meilleurs résultats, utiliser une lèchefrite et une grille. La grille est conçue pour laisser s'écouler les jus et aider à éviter les éclaboussures et la fumée.

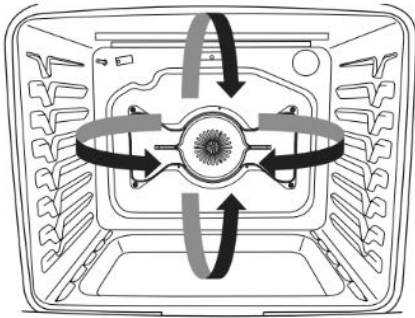
Il est possible de commander une lèchefrite. Consulter le Guide de démarrage rapide pour obtenir les coordonnées.

Cuisson par convection du four inférieur

Dans un four à convection, l'air chaud que fait circuler le ventilateur répartit plus uniformément la chaleur que le mouvement naturel de l'air dans un four thermique standard. Ce déplacement de l'air chaud aide à maintenir une température constante dans tout le four, ce qui permet de cuire les aliments plus uniformément, de faire croustiller la surface des aliments tout en conservant leur humidité naturelle et de donner des pains plus croustillants.

Si la porte du four est ouverte durant la cuisson par convection, le ventilateur s'éteint immédiatement. Il s'allume à nouveau lorsque la porte du four est fermée.

REMARQUE : La porte du four doit être fermée pour la cuisson au grill par convection.



Avant de lancer une cuisson par convection, positionner les grilles tel qu'indiqué à la section « Positionnement des grilles et des ustensiles de cuisson au four ». La cuisson par convection permet de cuire la majorité des aliments à une température plus basse pendant moins longtemps. Ces réglages peuvent être effectués à l'aide du tableau suivant ou en utilisant la caractéristique de conversion EasyConvect™ (sur certains modèles) de la cuisinière.

Réglage	Lignes directrices
CONVECT BAKE (cuisson au four par convection)	Réduire la température de cuisson au four standard de 25 °F (12 °C).
CONVECT BROIL (cuisson au grill par convection)	Utiliser une température de recette standard. La durée de cuisson peut être réduite; il faut donc contrôler le degré de cuisson des aliments tôt au cours de la cuisson.
CONVECT ROAST (rôtissage par convection)	Utiliser une température de recette standard. Le temps de cuisson peut diminuer de 15 à 30 % lors du rôtissage par convection, le degré de cuisson devrait donc être vérifié plus tôt qu'à l'habitude.

Convection véritable cordon bleu

La convection véritable active un élément électrique autour du ventilateur de convection pour améliorer la performance de cuisson. Utiliser le tableau des options de convection suivant comme guide.

Options de cuisson par convection

Réglage	Aliments
CONVECT BAKE (cuisson au four par convection)	Cuisson au four sur une ou plusieurs grilles pour les biscuits, pains, mets en sauce, tartes, tourtes
CONVECT BROIL (cuisson au grill par convection)	Des morceaux plus épais ou inégaux de viande, de poisson ou de volaille
CONVECT ROAST (rôtissage par convection)	Poulets ou dindes entiers, légumes, rôtis de porc, rôtis de bœuf

Favorite (recette favorite)

La caractéristique Favoris permet de sauvegarder les réglages de durée et de température de n'importe quelle fonction de cuisson active. Une seule caractéristique favorite est permise pour chaque four.

Pour sauvegarder une fonction de cuisson comme favori :

1. Appuyer sans relâcher sur FAVORITE (recette favorite).
2. Appuyer sur les touches + ou - de Time/Temp (durée/température) pour sélectionner le four en cours d'utilisation.
3. La fonction de cuisson est à présent sauvegardée comme favori, et le module de commande poursuit le fonctionnement de la fonction de cuisson sauvegardée.

Pour faire réapparaître et démarrer un favori :

1. Appuyer sur FAVORITE (recette favorite).
2. Appuyer sur les touches + ou - de Time/Temp (durée/température) pour sélectionner le four en cours d'utilisation.
3. Appuyer sur START (mise en marche).

La température réglée peut être modifiée en appuyant sur les touches + ou - de Time/Temp (durée/température), puis sur START (mise en marche). De la même manière, la durée de cuisson peut être modifiée en appuyant sur COOK TIME (durée de cuisson), puis sur les touches + ou - de Time/Temp (durée/température) pour régler la durée souhaitée, puis sur START (mise en marche). Si l'on modifie la durée de cuisson, le temps de cuisson restant est remplacé par la nouvelle durée programmée..

4. Placer les aliments dans le four.
5. Appuyer sur la touche CANCEL (annulation) correspondant au four utilisé une fois terminé.
6. Retirer les aliments du four.

Pour annuler un programme favori :

1. Appuyer sur la touche CANCEL (annulation) du four souhaité. Le programme Favorite (favori) sauvegardé ne sera pas affecté.
2. Retirer les aliments du four.

Cook Time (durée de cuisson)

Réglage d'une cuisson minutée :

1. Appuyer sur la touche pour obtenir n'importe quelle fonction de cuisson à l'exception de Self-Clean (autonettoyage) ou Keep Warm (maintien au chaud).
2. Utiliser les touches « + » ou « - » de Time/Temp (durée/température) pour régler la température souhaitée. Maintenir enfoncé pour faire défiler rapidement. Le défilement des températures ne dépasse pas les températures minimale et maximale admissibles.
3. Appuyer sur COOK TIME (durée de cuisson).
4. Appuyer sur la touche « + » ou « - » de Time/Temp (durée/température) pour entrer la durée de cuisson.
5. Appuyer sur START (mise en marche). L'affichage présente le compte à rebours de la durée. Lorsque la durée est écoulée, le four s'éteint automatiquement. Il est possible de changer les réglages de température et/ou de durée en tout temps en répétant les étapes 2 à 5.
6. Appuyer sur la touche CANCEL (annulation) du four sélectionné pour effacer l'affichage du four.

Réglage de Delayed Timed Cook (cuisson minutée différée) :

1. Appuyer sur DELAY START (mise en marche différée).
2. Utiliser les touches « + » ou « - » de Time/Temp (durée/température) pour sélectionner le four souhaité.
3. Appuyer sur les touches « + » ou « - » de Time/Temp (durée/température) pour entrer le nombre d'heures et/ou de minutes dont on souhaite différer l'heure de mise en marche. Maintenir enfoncé pour faire défiler rapidement.
4. Appuyer sur la touche pour n'importe quelle fonction de cuisson à l'exception de Keep Warm (maintien au chaud).
5. Utiliser les touches « + » ou « - » de Time/Temp (durée/température) pour régler la température souhaitée. Maintenir enfoncé pour faire défiler rapidement. Le défilement des températures ne dépasse pas les températures minimale et maximale admissibles.
6. Appuyer sur START (mise en marche) ou COOK TIME (durée de cuisson).
7. Appuyer sur la touche « + » ou « - » de Time/Temp (durée/température) pour entrer la durée de cuisson.
8. Appuyer sur START (mise en marche). Lorsque l'heure de mise en marche est atteinte, le four s'allume automatiquement. Il est possible de changer les réglages de température et/ou de durée en tout temps après le compte à rebours en répétant les étapes 1 à 7. Lorsqu'on réinitialise la durée et la température, on doit appuyer sur START (mise en marche) à mi-chemin entre les étapes 4 et 5 du four souhaité pour pouvoir continuer à effectuer des changements. Lorsque la durée de cuisson réglée s'achève, le four s'éteint automatiquement.
9. Appuyer sur le bouton CANCEL (annulation) du four sélectionné pour effacer l'affichage du four.

Estufa a gas independiente a gas con guía de control de hornos dobles

GUÍA DE FUNCIONES

ADVERTENCIA: A fin de reducir el riesgo de incendio, choque eléctrico o lesiones personales, lea las INSTRUCCIONES IMPORTANTES DE SEGURIDAD que se encuentran en el Manual del propietario, antes de usar el electrodoméstico.

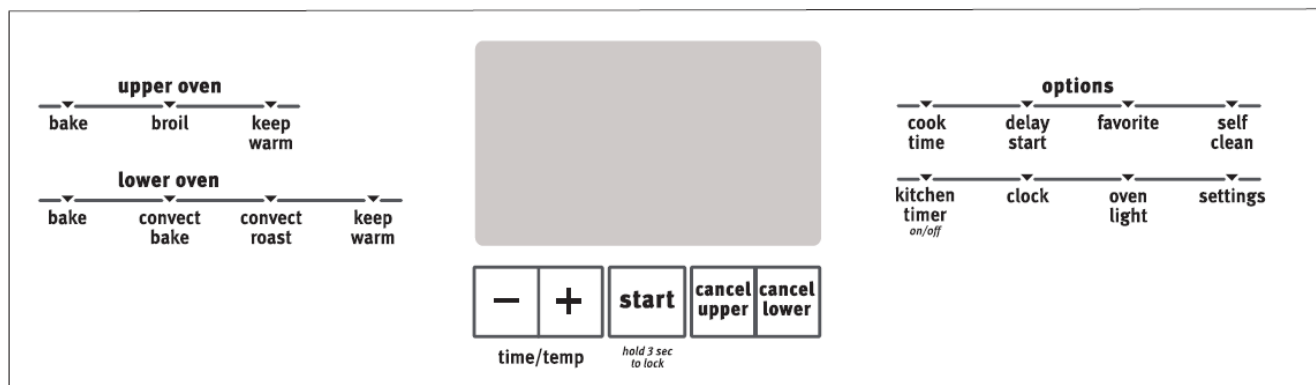
Este manual abarca varios modelos. Su modelo puede contar con algunos o todos los elementos enumerados. Consulte este manual o la sección de Ayuda del producto de nuestro sitio web en www.maytag.com para obtener instrucciones más detalladas. En Canadá, consulte la sección de Ayuda del producto en www.maytag.ca.

⚠ ADVERTENCIA

Peligro de intoxicación alimentaria

No deje sus alimentos en el horno por más de una hora antes o después de su cocción.

No seguir esta instrucción puede ocasionar intoxicación alimentaria o enfermedad.

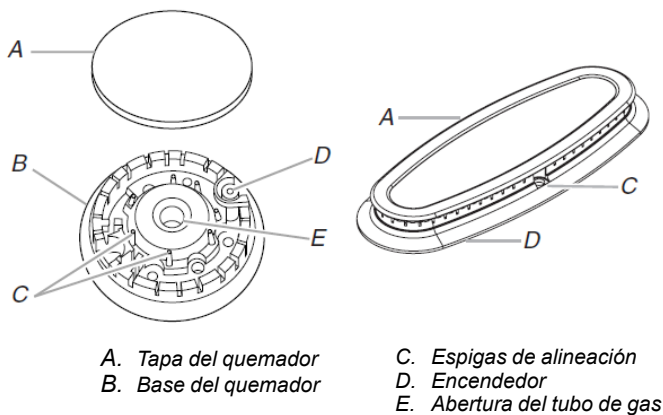


TECLA	FUNCIÓN	INSTRUCCIONES
CLOCK (Reloj)	Clock (Reloj)	Este reloj puede usar un ciclo de 12 o 24 horas. Consulte la sección "Controles electrónicos del horno". <ol style="list-style-type: none"> 1. Pulse CLOCK (Reloj). 2. Presione la tecla Time/Temp (Tiempo/Temperatura) + para AM o la tecla - para PM. 3. Presione las teclas Time/Temp (Tiempo/Temperatura) + o - para establecer la hora del día. Mantenga presionado para desplazarse con rapidez. 4. Presione CLOCK (Reloj) o START (Inicio).
Oven Light (Luz del horno)	Luz de la cavidad del horno	Mientras las puertas de los hornos están cerradas, presione OVEN LIGHT (Luz del horno) para encender o apagar la luz. La luz del horno se encenderá cuando se abra la puerta del horno.
KITCHEN TIMER (Temporizador de estufa) ON/OFF (Encendido/ Apagado)	Temporizador del horno	El temporizador puede fijarse en horas o minutos, hasta 9 horas y 59 minutos. <ol style="list-style-type: none"> 1. Oprima KITCHEN TIMER (Temporizador de estufa). 2. Presione la tecla Time/Temp (Tiempo/Temperatura) + o - para fijar la duración en hr-min. No es necesario introducir ceros a la izquierda. Por ejemplo, para 2 minutos, introduzca "2". 3. Presione KITCHEN TIMER (Temporizador de cocina) para comenzar la cuenta regresiva. Si se activa, sonarán tonos de temporizador al final de la cuenta regresiva. La pantalla regresará a la hora del día al finalizar la cuenta regresiva. 4. Presione KITCHEN TIMER (Temporizador de cocina) para cancelar el temporizador y volver a la hora del día. No presione las teclas Cancel (Cancelar) u Off (Apagar) porque el horno se apagará.
START (Inicio)	Inicio de cocción	La tecla Start (Inicio) inicia cualquier función del horno. Si no se presiona Start (Inicio) en menos de 2 minutos después de haber presionado una tecla, la función se cancelará y la hora del día aparecerá en la pantalla.
CANCEL UPPER (Cancelar superior) CANCEL LOWER (Cancelar inferior)	Función de la estufa	Las teclas Cancel Upper (Cancelar superior) y Cancel Lower (Cancelar inferior) detienen cualquier función del horno excepto Clock (Reloj), Timer (Temporizador) y Control Lock (Bloqueo de controles) en el horno seleccionado.

TECLA	FUNCIÓN	INSTRUCCIONES
BAKE UPPER (Hornear superior) BAKE LOWER (Hornear inferior)	Hornear y asar	<ol style="list-style-type: none"> 1. Presione Bake (Hornear) en el horno que desee. 2. Presione los botones + o - TIME/TEMP (Hora/Temperatura) para ajustar la temperatura deseada. Mantenga presionado para desplazarse con rapidez. El desplazamiento por las temperaturas se detiene en la temperatura mínima o máxima admitida. 3. (Horno inferior, solo cocción con una parrilla) Presione START (Inicio). Se inicia el precalentamiento rápido. NOTA: El precalentamiento rápido se debe utilizar únicamente para hornear con una sola parrilla. 4. (Horneado en varias parrillas) Presione START (Inicio) para el horno deseado. Presione otra vez START (Inicio) para cancelar el precalentamiento rápido del horno deseado. 5. Para cambiar la temperatura, repita el paso 2. Presione START (Inicio) para que el cambio tenga efecto. 6. Presione CANCEL (Cancelar) para el horno seleccionado cuando haya terminado.
BROIL (Asar a la parrilla, solo superior)	Broiling (Asar a la parrilla)	<ol style="list-style-type: none"> 1. Presione BROIL (Asar a la parrilla). 2. Presione los botones + o - TIME/TEMP (Hora/Temperatura) para ajustar la temperatura deseada. Mantenga presionado para desplazarse con rapidez. El desplazamiento por las temperaturas se detiene en la temperatura mínima o máxima admitida. 3. Presione START (Inicio) para el horno seleccionado. No es necesario precalentar. 4. Coloque el utensilio de cocina en el horno. Cierre la puerta. 5. Presione CANCEL UPPER (Cancelar superior) cuando haya terminado.
CONVECT BAKE (Hornear por convección)	Cocción por convección	<ol style="list-style-type: none"> 1. Presione CONVECT BAKE (Hornear por convección). 2. Presione los botones + o - TIME/TEMP (Hora/Temperatura) para ajustar la temperatura deseada. Mantenga presionado para desplazarse con rapidez. El desplazamiento por las temperaturas se detiene en la temperatura mínima o máxima admitida. 3. (Horno inferior, solo cocción con una parrilla) Presione START (Inicio). Se inicia el precalentamiento rápido. IMPORTANTE: El precalentamiento rápido se debe utilizar únicamente para hornear con una sola parrilla. 4. (Horneado en varias parrillas) Presione START (Inicio). Presione de nuevo START (Inicio) para cancelar el precalentamiento rápido. 5. Para cambiar la temperatura, repita el paso 2. Presione START (Inicio) para que el cambio tenga efecto. 6. Presione CANCEL LOWER (Cancelar inferior) cuando haya terminado.
CONVECT ROAST (Asar por convección)	Cocción por convección	<ol style="list-style-type: none"> 1. Presione CONVECT ROAST (Asar por convección). 2. Presione los botones + o - TIME/TEMP (Hora/Temperatura) para ajustar la temperatura deseada. Mantenga presionado para desplazarse con rapidez. El desplazamiento por las temperaturas se detiene en la temperatura mínima o máxima admitida. 3. Presione START (Inicio). 4. Para cambiar la temperatura, repita el paso 2. Presione START (Inicio) para que el cambio tenga efecto. 5. Presione CANCEL LOWER (Cancelar inferior) o OFF LOWER (Apaga inferior) cuando haya terminado.
FAVORITE (Favorito)	Favorito	<p>La función Favorito permite almacenar los ajustes de tiempo y temperatura de cualquier función de cocción activa.</p> <ol style="list-style-type: none"> 1. Mantenga FAVORITE (Favorito) presionado. 2. Presione en el teclado Time/Temp (Hora/Temperatura) "+" o "-" para seleccionar el horno que está en uso. 3. La función de cocción se almacena como Favorito y el control reanuda la operación de la función de cocción almacenada.

TECLA	FUNCIÓN	INSTRUCCIONES
KEEP WARM UPPER KEEP WARM LOWER	Mantener caliente	Los alimentos deberán estar a la temperatura para ser servidos antes de colocarlos en el horno calentado. <ol style="list-style-type: none"> 1. Presione KEEP WARM (Mantener caliente) para el horno deseado. 2. Presione los botones + o - TIME/TEMP (Hora/Temperatura) para ajustar la temperatura deseada. Mantenga presionado para desplazarse con rapidez. El desplazamiento por las temperaturas se detiene en la temperatura mínima o máxima admitida. 3. Presione START (Inicio). 4. Para cambiar la temperatura, repita los pasos 2 y 3. 5. Presione CANCEL (Cancelar) para el horno seleccionado cuando haya terminado.
DELAY START (Inicio diferido)	Delayed start (Inicio diferido)	La tecla Delay Start (Inicio diferido) se utiliza para ingresar la hora en la que se va a iniciar una función del horno con un inicio diferido. El inicio diferido no debe usarse para alimentos como panes y pasteles, ya que es posible que no se horneen correctamente. Para fijar Cook Time (Tiempo de cocción) o Delayed Cook Time (Tiempo de cocción diferido), consulte la sección "Tiempo de cocción".
COOK TIME (Tiempo de cocción)	Cocción programada	La función Cook Time (Tiempo de cocción) permite programar el horno para que se encienda a una determinada hora del día, cocine durante un tiempo establecido y/o se apague automáticamente. Para fijar Cook Time (Tiempo de cocción) o Delayed Cook Time (Tiempo de cocción diferido), vea la sección "Tiempo de cocción".
SELF CLEAN (Autolimpieza)	Ciclo de autolimpieza	Consulte la sección "Ciclo de autolimpieza" en el Manual del propietario.
START (Inicio), presione por 3 seg para bloquear	Bloqueo de controles del horno	<ol style="list-style-type: none"> 1. Revise que los hornos y los temporizadores estén apagados. 2. Mantenga presionado START (Inicio) por 3 segundos. 3. Si se habilita, sonará un tono y aparecerá "CONTROL LOCKED" (Control bloqueado) en la pantalla. 4. Repita para desbloquear. Cuando los controles estén bloqueados, no funcionará ninguna tecla.
SETTINGS (Ajustes)	Funciones para usar el horno	Permite adaptar los tonos audibles y el funcionamiento del horno a sus necesidades. Consulte la sección "Uso del horno".

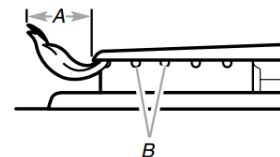
Quemadores de superficie sellados



IMPORTANTE: No obstruya el flujo de aire de combustión y ventilación alrededor de los bordes de la rejilla del quemador.

Tapa del quemador: Siempre mantenga la tapa del quemador en su lugar cuando use un quemador de la superficie. Una tapa del quemador limpia ayudará a prevenir el encendido deficiente y las llamas desparejas. Siempre limpie la tapa del quemador después de un derrame, y quite y limpie periódicamente las tapas como se indica en la sección "Limpieza general".

Abertura del tubo de gas: El gas debe fluir libremente a través de la abertura del tubo de gas para que el quemador se encienda como es debido. Mantenga esta zona libre de suciedad y no permita que ingresen derrames, alimentos, agentes de limpieza ni otros materiales a la abertura del tubo de gas. Para mantener los derrames lejos del tubo de gas, use siempre una tapa para los quemadores.

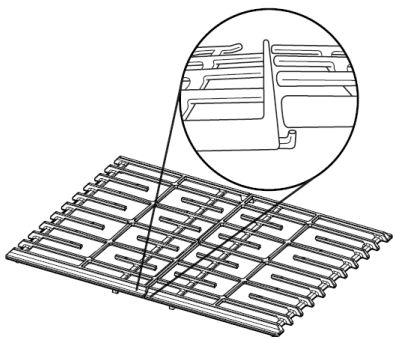


A. 1-1/2" (2,5-3,8 cm) B. Orificios del quemador

Orificios del quemador: Revise las llamas del quemador ocasionalmente para fijarse que tengan el tamaño y la forma adecuados, como se muestra arriba. Una buena llama es de color azul, no amarillo. Mantenga esta zona libre de suciedad y no permita que ingresen derrames, alimentos, agentes de limpieza ni otros materiales en los orificios del quemador.

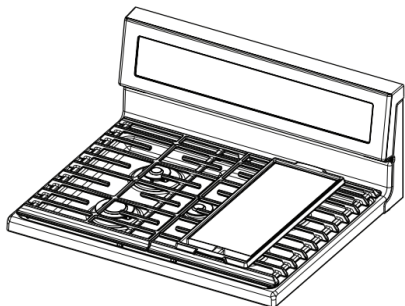
Rejillas

Las rejillas de esta estufa cubren el ancho completo de la superficie de cocción. Pueden entrelazarse ambas rejillas (en algunos modelos) con el gancho formado en un extremo de ambas parrillas. El extremo plano de una rejilla cae en el gancho de la otra, como se muestra en la ilustración a continuación.



En algunos modelos, ambas rejillas son idénticas y pueden usarse ya sea en el lado izquierdo o derecho de la superficie de cocción. Las rejillas que han sido diseñadas para usarse solamente en un lado de la superficie de cocción tendrán la palabra "LEFT" (Izquierda) o "RIGHT" (Derecha) grabada en la parte inferior de las mismas.

Plancha



Plancha instalada en el lado derecho de la superficie de cocción

Para usar la plancha:

1. Ubique la plancha en la rejilla del lado derecho, como se muestra. Las patas de ubicación en la base de la plancha engancharán las puntas de la rejilla para evitar que la plancha se deslice.
2. Antes de cada uso, cepíllela con una capa delgada de aceite de cocina para evitar que se peguen los alimentos. Los rociadores de cocina pueden dejar un residuo pegajoso en la plancha, la cual es difícil de quitar.
3. Caliente previamente la plancha durante 5 minutos. El precalentamiento lento de la plancha asegurará una distribución uniforme del calor y evitará que se deforme.
4. Para el precalentamiento y la cocción, ponga el quemador delantero en el ajuste de calor más bajo y el quemador trasero en el ajuste de fuego medio alto para un mejor rendimiento.

NOTA: La plancha también puede usarse sobre la rejilla del lado izquierdo. Para obtener mejores resultados, deberá fijarse el quemador trasero en el ajuste medio bajo o medio y el quemador delantero deberá fijarse en el ajuste bajo.

Para limpiar la plancha:

1. Deje que la plancha se enfríe y vacíe la bandeja para goteos.
2. Vea la sección "Limpieza general" de su Manual del Propietario para obtener instrucciones de limpieza.
3. Guarde la plancha en un área fresca y seca.

Utensilios de cocina

IMPORTANTE: No deje utensilios de cocina vacíos sobre una zona de cocción, un elemento o un quemador de superficie que estén calientes.

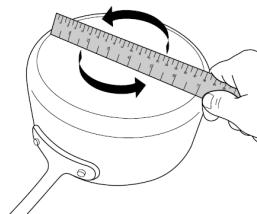
El utensilio de cocina ideal debe tener fondo plano, lados rectos y una tapa que encaje bien, y el material debe ser de grosor medio a pesado.

Los acabados ásperos pueden rayar la superficie de cocción o las bobinas. El aluminio y el cobre pueden usarse como centro o base del utensilio de cocina. Sin embargo, cuando se usan como base pueden dejar marcas permanentes en las rejillas.

El material de los utensilios de cocina es un factor que influye en la rapidez y la uniformidad con la que se trasmite el calor, lo que afecta los resultados de la cocción.

No deben usarse utensilios de cocina con superficies antiadherentes bajo el asador.

Verifique si el utensilio de cocina es plano colocando el borde recto de una regla a lo largo del fondo de este. Mientras rota la regla, no debe verse espacio ni luz entre la regla y el utensilio de cocina.



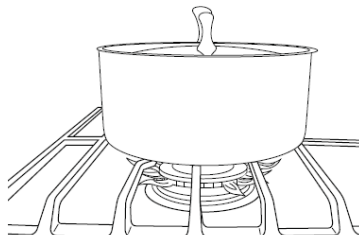
Utilice la siguiente tabla como guía para ver las características de los materiales de los utensilios de cocina.

UTENSILIOS DE COCINA	CARACTERÍSTICAS
Aluminio	<ul style="list-style-type: none">■ Se calienta de manera rápida y uniforme.■ Sirve para todos los tipos de cocción.■ Los espesores medianos o pesados son óptimos para la mayoría de las tareas de cocción.■ Puede dejar restos de aluminio que se pueden atenuar si se limpian inmediatamente después de la cocción.
Hierro fundido	<ul style="list-style-type: none">■ Se calienta de manera lenta y uniforme.■ Es bueno para dorar y freír.■ Mantiene el calor para una cocción lenta.
Cerámica o vitrocerámica	<ul style="list-style-type: none">■ Siga las instrucciones del fabricante.■ Se calienta de manera lenta, pero irregular.■ Da los mejores resultados en los ajustes de calor bajo a medio.
Cobre	<ul style="list-style-type: none">■ Se calienta de manera muy rápida y uniforme.■ Puede dejar residuos de cobre que se pueden atenuar si se limpian inmediatamente después de la cocción.
Utensilios de barro/piedra	<ul style="list-style-type: none">■ Siga las instrucciones del fabricante.■ Use con ajustes de calor bajos.

Hierro fundido o acero con esmalte de porcelana ■ Vea acero inoxidable o hierro fundido.

Acero inoxidable ■ Se calienta de manera rápida, pero irregular.
■ Un centro o una base de aluminio o cobre sobre acero inoxidable proporciona un calor uniforme.

Para obtener resultados óptimos, el recipiente de cocción deberá estar centrado encima del quemador con la base nivelada sobre la rejilla. Deberá regularse la llama para que no se eleve por los costados del recipiente.



Envasado casero

Al preparar envasados durante períodos prolongados, alterne el uso de los quemadores de la superficie entre una tanda y otra. Esto da tiempo para que se enfríen las áreas que se han usado recientemente.

- Centre el recipiente para envasado sobre la rejilla, encima del quemador.
- No coloque el recipiente para envasado sobre 2 quemadores de superficie a la vez.
- Para obtener más información, comuníquese con la oficina de extensión del departamento de agricultura local o consulte guías para envasado casero publicadas. También pueden ofrecer ayuda las empresas que fabrican productos para enlatado casero.

USO DEL HORNO

Los olores y el humo son normales cuando el horno se usa las primeras veces o cuando tiene suciedad profunda.

IMPORTANTE: La salud de algunas aves es sumamente sensible a los gases emanados. La exposición a las emanaciones puede ocasionar la muerte de ciertas aves. Siempre traslade las aves a otra habitación cerrada y bien ventilada.

Controles electrónicos del horno

Pantalla de control

La pantalla destellará cuando se encienda o después de un corte de corriente. Presione Cancel (Cancelar) para borrarla. Cuando el horno no está en uso, se muestra la hora del día.

Tonos

Los tonos son señales audibles que indican lo siguiente:

Un tono

- Presión de tecla válida
- El horno está precalentado (tono largo).
- Temporizador de cocina (sonará un tono largo con un tono recordatorio cada minuto)
- Se ha introducido una función.

Tres tonos

- Presión de tecla no válida

Cuatro tonos

- Fin de ciclo (con un tono recordatorio cada minuto)

Use la tecla Settings (Ajustes) u Options (Opciones) para cambiar los ajustes de tono.

Settings (Ajustes)

Muchas características del control del horno pueden regularse para satisfacer sus necesidades personales. Estos cambios se realizan con la tecla Settings (Ajustes).

Use la tecla Settings (Ajustes) para desplazarse por las funciones que se pueden cambiar. Cada vez que presione la tecla Settings (Ajustes) la pantalla avanzará hasta el ajuste siguiente. Después de seleccionar la característica que va a cambiar, el control le indicará qué tecla debe presionar. En las secciones que siguen, se explican los detalles de todos los cambios de características.

Presione CANCEL UPPER (Cancelar superior) o CANCEL LOWER (Cancelar inferior) para salir de Settings.

Fahrenheit and Celsius (Fahrenheit y Celsius)

La temperatura está prefijada en Fahrenheit, pero puede cambiarla a Celsius.

1. Presione SETTINGS (Ajustes) hasta que aparezca en la pantalla "TEMP UNIT" (Modo de demostración).
2. Aparecerá el ajuste actual.
3. Presione la tecla Time/Temp (Hora/Temperatura) + para configurar los ajustes.
4. Presione CANCEL UPPER (Cancelar superior) o CANCEL LOWER (Cancelar inferior) para salir, y se mostrará la hora del día.

Deshabilitar los tonos audibles

Apaga todos los tonos, incluso el de fin de ciclo y los tonos de las teclas.

1. Presione Settings (Ajustes) hasta que aparezca en la pantalla "SOUND" (Sonido).
2. Aparecerá el ajuste actual.
3. Presione la tecla Time/Temp (Tiempo/Temperatura) "+" para configurar los ajustes.
4. Presione CANCEL UPPER (Cancelar superior) o CANCEL LOWER (Cancelar inferior) para salir, y se mostrará la hora del día.

Volumen de sonido

Fija el tono de la señal sonora como alto o bajo.

1. Presione Settings (Ajustes) hasta que aparezca en la pantalla "SOUND VOLUME" (Volumen de sonido).
2. Aparecerá el ajuste actual.
3. Presione la tecla Time/Temp (Tiempo/Temperatura) "+" para configurar los ajustes.
4. Presione CANCEL UPPER (Cancelar superior) o CANCEL LOWER (Cancelar inferior) para salir, y se mostrará la hora del día.

Tono de fin de ciclo

Activa o apaga los tonos que se escuchan al final de un ciclo.

1. Presione Settings (Ajustes) hasta que aparezca en la pantalla "END TONE" (Calibración de temperatura).
2. Aparecerá el ajuste actual.
3. Presione la tecla Time/Temp (Tiempo/Temperatura) "+" para configurar los ajustes.
4. Presione CANCEL UPPER (Cancelar superior) o CANCEL LOWER (Cancelar inferior) para salir, y se mostrará la hora del día.

Keypress Tones (Tonos del teclado)

Activa o apaga los tonos que se escuchan cuando se presiona una tecla.

1. Presione Settings (Ajustes) hasta que aparezca en la pantalla "KEYPRESS TONE" (Tono del teclado).
2. Aparecerá el ajuste actual.

3. Presione la tecla Time/Temp (Tiempo/Temperatura) "+" para configurar los ajustes.
4. Presione CANCEL UPPER (Cancelar superior) o CANCEL LOWER (Cancelar inferior) para salir, y se mostrará la hora del día.

Deshabilitar los tonos recordatorios

Apaga el tono breve que se repite cada 1 minuto después de los tonos de fin de ciclo.

1. Presione SETTINGS (Ajustes) hasta que aparezca en la pantalla "REMINDER TONE" (Tono recordatorio).
2. Aparecerá el ajuste actual.
3. Presione la tecla Time/Temp (Tiempo/Temperatura) "+" para configurar los ajustes.
4. Presione CANCEL UPPER (Cancelar superior) o CANCEL LOWER (Cancelar inferior) para salir, y se mostrará la hora del día.

Reloj de 12/24 horas

Apaga el tono breve que se repite cada 1 minuto después de los tonos de fin de ciclo.

1. Presione Settings (Ajustes) hasta que en la pantalla aparezca "12/24 HOUR" (12/24 horas).
2. Aparecerá el ajuste actual.
3. Presione la tecla Time/Temp (Hora/Temperatura) + para configurar los ajustes.
4. Presione CANCEL UPPER (Cancelar superior) o CANCEL LOWER (Cancelar inferior) para salir, y se mostrará la hora del día.

Modo de demostración

IMPORTANTE: Esta característica está destinada al uso en el salón de ventas con una conexión eléctrica de 120 V y permite demostrar las características de control sin que se enciendan los elementos calentadores. Si se activa esta característica, el horno no funcionará.

1. Presione SETTINGS (Ajustes) hasta que aparezca en la pantalla "DEMO MODE" (Modo de demostración).
2. Aparecerá el ajuste actual.
3. Presione la tecla Time/Temp (Tiempo/Temperatura) "+" para configurar los ajustes.
4. Presione CANCEL UPPER (Cancelar superior) o CANCEL LOWER (Cancelar inferior) para salir, y se mostrará la hora del día.

Apagado de 12 horas

El control del horno se fija para apagarlo automáticamente 12 horas después de que haya comenzado la función de cocción o de limpieza. Esto no interferirá con ninguna función de cocción programada ni diferida.

1. Presione SETTINGS (Ajustes) hasta que aparezca en la pantalla "12-HR SHUT-OFF" (Apagado después de 12 horas).
2. Aparecerá el ajuste actual.
3. Presione la tecla Time/Temp (Tiempo/Temperatura) "+" para configurar los ajustes.
4. Presione CANCEL UPPER (Cancelar superior) o CANCEL LOWER (Cancelar inferior) para salir, y se mostrará la hora del día.

Idiomas - Texto que se desplaza en la pantalla

Las opciones de idioma son inglés, español y francés.

1. Presione SETTINGS (Ajustes) hasta que aparezca en la pantalla "LANGUAGE" (Idioma).
2. Aparecerá el ajuste actual.
3. Presione la tecla Time/Temp (Tiempo/Temperatura) "+" o "-" para ajustar la configuración.

4. Presione CANCEL UPPER (Cancelar superior) o CANCEL LOWER (Cancelar inferior) para salir, y se mostrará la hora del día.

Ahorro de energía

El modo Energy Save (Ahorro de energía) desactiva la pantalla para reducir el consumo de energía. El ajuste se activa después de estar en espera durante varios minutos. Se puede utilizar cualquier modo que se desee con la estufa en Energy Save (ahorro de energía).

1. Presione Settings (Ajustes) hasta que aparezca en la pantalla "ENERGY SAVE" (Calibración de temperatura).
2. Aparecerá el ajuste actual.
3. Presione la tecla Time/Temp (Tiempo/Temperatura) "+" para configurar los ajustes.
4. Presione CANCEL UPPER (Cancelar superior) o CANCEL LOWER (Cancelar inferior) para salir, y se mostrará la hora del día.

Control de compensación de la temperatura del horno

IMPORTANTE: No use un termómetro para medir la temperatura del horno. Los elementos se encenderán y se apagarán según sea necesario para mantener una temperatura uniforme, pero es posible que funcione en algún momento ligeramente caliente o frío a causa de este ciclo. La mayoría de los termómetros son lentos para reaccionar a los cambios de temperatura y no brindarán una lectura precisa a causa de este ciclo. El horno proporciona temperaturas exactas; sin embargo, es posible que cocine más rápido o más despacio que su horno anterior, de manera que se puede ajustar la temperatura para adecuarla a sus necesidades de cocción. Puede cambiarse a Fahrenheit o a Celsius.

Para ajustar la temperatura del horno:

1. Presione Settings (Ajustes) hasta que aparezca en la pantalla "TEMP CALIB" (Calibración de temperatura).
2. Aparecerá el ajuste actual. Presione Time/Temp (Tiempo/Temperatura) "+" para alternar entre el horno superior e inferior.
3. Presione START UPPER (Iniciar superior) o START LOWER (Iniciar inferior) para seleccionar la opción que aparece en la pantalla en el paso 2. Espere 10 segundos para que cambie la pantalla o presione START UPPER (Iniciar superior) o START LOWER (Iniciar inferior) y después continúe con el paso 4.
4. Presione la tecla Time/Temp (Tiempo/Temperatura) "+" para aumentar la temperatura en incrementos de 5 °F (3 °C), o presione la tecla Time/Temp (Tiempo/Temperatura) "-" para disminuir la temperatura en incrementos de 5 °F (3 °C). El rango es de -30 °F a +30 °F (de -18 °C a +18 °C).
5. Presione START UPPER (Iniciar superior) o START LOWER (Iniciar inferior).
6. Presione CANCEL UPPER (Cancelar superior) o CANCEL LOWER (Cancelar inferior) para salir, y se mostrará la hora del día.

Keep Warm (Mantener caliente)

IMPORTANTE: Los alimentos deberán estar a la temperatura para ser servidos antes de colocarlos en el horno calentado. Se pueden mantener hasta 1 hora; sin embargo, los panes y estofados se pueden secar mucho si se dejan en el horno con la función Keep Warm (Mantener caliente). Para obtener resultados óptimos, cubra los alimentos.

La función Keep Warm (Mantener caliente) o warm (caliente) permite mantener los alimentos cocinados a una temperatura lista para servirse.

Forma de uso:

1. Presione KEEP WARM (Mantener caliente) para el horno deseado.
2. Presione las teclas TIME/TEMP (Hora/Temperatura) "+" o "-" para ajustar la temperatura deseada. Mantenga presionado para desplazarse con rapidez. El desplazamiento por las temperaturas se detiene en la temperatura mínima o máxima admitida.

NOTA: Para cambiar la temperatura en cualquier momento, presione Time/Temp (Tiempo/Temperatura) "+" o "-" hasta ajustar la temperatura que desee y luego, presione START (Inicio).

3. Presione START (Inicio).
4. Coloque los alimentos en el horno.
5. Presione CANCEL (Cancelar) para el horno seleccionado cuando haya terminado.
6. Retire los alimentos del horno.

Para cancelar Keep Warm (Mantener caliente):

1. Presione CANCEL (Inicio) para el horno seleccionado.
2. Retire los alimentos del horno.

Modo Sabbath (Sabbat)

El modo Sabbath (Día de descanso) fija el horno para que permanezca encendido en un ajuste para hornear hasta que se apague.

Cuando se fije el modo Sabbath (Día de descanso), solamente funcionará el ciclo Bake (Hornear). Todos los demás ciclos de cocción y limpieza estarán deshabilitados. No sonará ningún tono y la pantalla no indicará los cambios de temperatura.

Cuando se abra o se cierre la puerta del horno, la luz no se encenderá ni apagará y los elementos calentadores no se encenderán ni apagarán de inmediato.

Para activar la función del modo Sabbath (Sabbat) (solo una vez):

1. Presione Settings (Ajustes) hasta que aparezca "SABBATH" (Sabbat).
2. Presione la tecla Time/Temp (Hora/Temperatura) "+" keypad. Puede activarse el modo Sabbath (Sabbat) para hornear.
3. Presione CANCEL UPPER (Cancelar superior) o CANCEL LOWER (Cancelar inferior) para guardar el ajuste y salir para que se muestre la hora del día.

NOTA: Para desactivar el modo Sabbath (Sabbat), repita los pasos 1 al 3 para cambiar el estado de "SABBATH ON" (Sabbat activado) a "SABBATH OFF" (Sabbat desactivado).

Para activar el modo Sabbath (Sabbat):

1. Presione Bake (Hornear) en el horno que desee.
2. Presione las teclas TIME/TEMP (Hora/Temperatura) "+" o "-" para ajustar la temperatura deseada. Mantenga presionado para desplazarse con rapidez. El desplazamiento por las temperaturas se detiene en la temperatura mínima o máxima admitida.

3. Presione START (Inicio). Para la cocción programada en modo Sabbath (Sabbat), presione COOK TIME (Tiempo de cocción) y después Temp/Time (Temperatura/Hora) "+" o "-" para ajustar el tiempo de cocción deseado. Presione START (Inicio).
4. (Opcional) Si se utilizará el modo Sabbath (Sabbat) para ambos hornos, repita los pasos del 1 al 3 para el segundo horno.
5. Presione SETTINGS (Ajustes). Sonarán tres tonos. A continuación mantenga presionado KITCHEN TIMER (Temporizador de cocina) durante varios segundos hasta que aparezca "SAb" en la pantalla

Para ajustar la temperatura (cuando el modo Sabbath [Sabbat] está funcionando en un solo horno):

1. Presione Temp/Time (Temperatura/Hora) "+" o "-" y siga las instrucciones del texto que se desplaza para seleccionar la nueva temperatura.

NOTA: El ajuste de temperatura no aparecerá en la pantalla y no sonará ningún tono. El texto que se desplaza aparecerá en la pantalla como estaba antes de presionarse el botón.

2. Presione START (Inicio).

Para ajustar la temperatura (cuando el modo Sabbath [Sabbat] está funcionando en ambos hornos):

1. Presione Bake (Hornear) en el horno que desee.
2. Presione Temp/Time (Temperatura/Hora) "+" o "-" y siga las instrucciones del texto que se desplaza para seleccionar la nueva temperatura.

NOTA: El ajuste de temperatura no aparecerá en la pantalla y no sonará ningún tono. El texto que se desplaza aparecerá en la pantalla como estaba antes de presionarse el botón.

3. Presione START (Inicio).

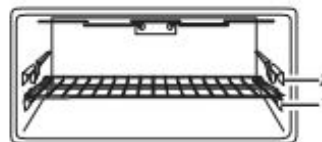
Para desactivar el modo Sabbath (Sabbat):

Presione SETTINGS (Ajustes), y después mantenga presionado KITCHEN TIMER (Temporizador de cocina) para volver al horneado normal, o presione CANCEL UPPER (Cancelar superior) o CANCEL LOWER (Cancelar inferior) para apagar los hornos.

Posición de las parrillas y los utensilios para hornear

Use como guía la ilustración y las tablas siguientes para colocar las parrillas.

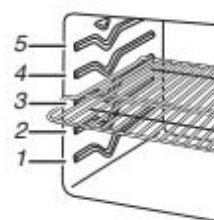
Posiciones de las parrillas - Horno superior



Hornear y asar a la parrilla

Alimentos	Posiciones de la parrilla
Todos los alimentos	1

Posiciones de las parrillas - Horno inferior



Alimentos	Posiciones de la parrilla
Asados o aves grandes	1
Carnes asadas	2
La mayoría de los alimentos horneados, estofados	3
Carnes, pollo y pescado asados a la parrilla	4
Carnes para asar a la parrilla/dorar rápidamente, hamburguesas y bistecs	5

Cocción en varias parrillas

2 parrillas: Use las posiciones para parrilla 2 y 4 para un horneado común.

2 parrillas (solo por convección): Use las posiciones de la parrilla 2 y 4 para un horneado por convección.

Utensilios para hornear

Para una cocción uniforme, el aire caliente debe poder circular. Deje 2" (5.0 cm) libres alrededor del utensilio para hornear y las paredes del horno. Utilice la siguiente tabla como guía.

Número de bandejas	Posición en la parrilla
1	Centro de la parrilla
2	Lado a lado
3 o 4	Consulte la imagen en la sección de Hornear pasteles de capas en la Guía de inicio rápido.

Hornear y asar

Preheating (Precalentamiento)

Cuando comience un ciclo Bake (Horneado), el horno empezará a precalentarse después de que se presione la tecla Start (Inicio). El horno tardará de 12 a 15 minutos aproximadamente para alcanzar 350 °F (177 °C) con todas las parrillas de horno provistas con el horno dentro de la cavidad. Cuanto mayor sea la temperatura, más tiempo tomará precalentar el horno. El ciclo Preheat (Precalentamiento) aumenta rápidamente la temperatura del horno. La temperatura real del horno superará la temperatura fijada para compensar la pérdida de calor cuando se abra la puerta del horno para introducir los alimentos. Esto asegura que el horno comience a la temperatura correcta cuando se coloquen los alimentos en el horno. Introduzca los alimentos cuando suene el tono de precalentamiento. No abra la puerta durante el precalentamiento, antes de que suene el tono.

Rapid Preheat (Precalentamiento rápido)

Puede usarse Rapid Preheat (precalentamiento rápido) para acortar el tiempo de precalentamiento. Deberá usarse solamente una parrilla estándar plana para horno durante Rapid Preheat (Precalentamiento rápido). Las parrillas adicionales deben quitarse antes de utilizar Rapid Preheat (Precalentamiento rápido). El ciclo de precalentamiento debe completarse antes de colocar los alimentos en el horno. Cuando haya terminado el ciclo Rapid Preheat (precalentamiento rápido), el horno pondrá en marcha un ciclo normal de horneado.

IMPORTANTE: El precalentamiento rápido se debe utilizar únicamente para hornear con una sola parrilla.

Temperatura del horno

Mientras estén en uso, los elementos del horno se encenderán y se apagarán según sea necesario para mantener una temperatura constante, pero es posible que se tornen ligeramente calientes o fríos a causa del encendido y apagado. Si se abre la puerta del horno mientras se encuentra en uso, saldrá el aire caliente y el horno se enfriará, lo que podría afectar el tiempo y el rendimiento de la cocción. Se recomienda usar la luz del horno para controlar el progreso de la cocción.

NOTA: En los modelos con convección, el ventilador de convección puede funcionar en el modo de horneado sin convección para mejorar el rendimiento del horno.

Temperature Management System (Sistema de control de temperatura)

El sistema de control de temperatura regula electrónicamente los niveles de calor del horno durante el precalentamiento y el horneado para mantener una temperatura precisa y obtener resultados de cocción óptimos. Los elementos o quemadores de horneado y asado a la parrilla se encienden y apagan a intervalos. En los modelos de estufa con convección, el ventilador funcionará durante el precalentamiento y es posible que se encienda y apague durante intervalos breves durante el horneado para producir resultados óptimos. Esta función se activa automáticamente cuando el horno está en uso.

Antes de hornear o asar, coloque las parrillas de acuerdo con lo especificado en la sección "Colocación de las parrillas y los utensilios para hornear". Para asar, no es necesario esperar a que termine el ciclo de precalentamiento del horno antes de colocar los alimentos, a menos que la receta de cocina lo recomiende.

Broiling (Asar a la parrilla)

Cierre la puerta del horno mientras asa a la parrilla. No es necesario precalentar. Coloque el alimento sobre la rejilla en una charola para asar y sitúela en el centro de la parrilla del horno.

NOTA: Los olores y el humo son normales cuando el horno se usa las primeras veces o cuando tiene suciedad profunda.

Para obtener un control más preciso al cocinar a la parrilla, cambie la temperatura mientras esté asando a la parrilla. Cuanto más bajo sea el ajuste de temperatura, más lenta será la cocción. Los cortes más gruesos y las piezas de carne, pescado y aves con forma irregular se pueden cocinar mejor con ajustes para asar a la parrilla más bajos. Consulte la sección "Posición de las parrillas y los utensilios para hornear" para obtener más información.

Con los ajustes más bajos, el elemento para asar a la parrilla se encenderá y se apagará con el fin de mantener la temperatura adecuada.

- Para obtener resultados óptimos, utilice una charola para asar y una parrilla. Está diseñado para drenar los jugos y ayudar a evitar salpicaduras y humo.

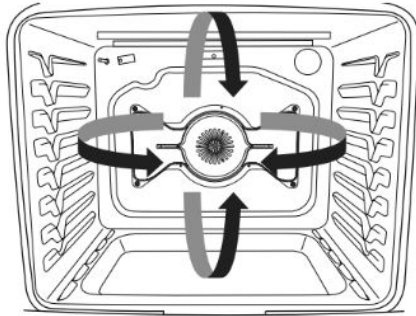
Si desea comprar una charola para asar, puede realizar un pedido. Consulte la Guía de inicio rápido para ver la información de contacto.

Cocción por convección del horno inferior

En un horno por convección, el aire caliente que hace circular el ventilador distribuye el calor continuamente y con más uniformidad que el movimiento natural del aire en un horno térmico estándar. Este movimiento de aire caliente ayuda a mantener una temperatura uniforme en todo el horno, cocina los alimentos más uniformemente y deja las superficies crujientes a la vez que atrapa la humedad y hace que los panes salgan con cortezas más crujientes.

Si se abre la puerta del horno durante la cocción por convección, el ventilador se apagará de inmediato. Se encenderá nuevamente cuando cierre la puerta del horno.

NOTA: La puerta del horno debe estar cerrada para asar a la parrilla por convección.



Coloque las parrillas siguiendo las instrucciones de la sección "Posición de las parrillas y los utensilios para hornear" antes de comenzar la cocción por convección. Con la cocción por convección, la mayoría de los alimentos se pueden cocinar a una temperatura más baja o durante menos tiempo. Estos ajustes pueden realizarse utilizando la siguiente tabla o con la función de conversión EasyConvect™ (para algunos modelos) en la estufa.

Ajuste	Direcciones
CONVECT BAKE (Hornear por convección)	Reduzca 12 °C (25 °F) la temperatura normal para hornear.
CONVECT BROIL (Asar a la parrilla por convección)	Use la temperatura normal de la receta. El tiempo de cocción puede reducirse, de modo que se debe revisar el alimento antes para ver si está listo.
CONVECT ROAST (Asar por convección)	Use la temperatura normal de la receta. El tiempo de cocción puede reducirse del 15 al 30 % con Convect Roast (Asar por convección) de modo que se debe revisar el alimento antes para ver si está listo.

Convección verdadera en forma de moño

La convección verdadera agrega un elemento eléctrico alrededor del ventilador de convección, para realzar el rendimiento de cocción. Use como guía la siguiente tabla de Opciones de convección.

Opciones de convección

Ajuste	Alimentos
CONVECT BAKE (Hornear por convección)	Horneado en una o más parrillas para galletas, bizcochos, panes, cazuelas, tartas, tortas.
CONVECT BROIL (Asar a la parrilla por convección)	Cortes más gruesos o piezas de forma irregular de carne, pescado o ave.
CONVECT ROAST (Asar por convección)	Pollo o pavo entero, verduras, asados de cerdo y de carne de res.

Favorito

La función Favorito permite guardar los ajustes de tiempo y temperatura de cualquier función de cocción activa. Solo se admite un favorito por horno.

Almacenamiento de una función de cocción como favorito:

1. Mantenga FAVORITE (Favorito) presionado.
2. Presione en el teclado Time/Temp (Hora/Temperatura) "+" o "-" para seleccionar el horno que está en uso.
3. La función de cocción se almacena como Favorito y el control reanuda la operación de la función de cocción almacenada.

Recuperación e inicio de un favorito:

1. Presione FAVORITE (Favorito).
2. Presione en el teclado Time/Temp (Hora/Temperatura) "+" o "-" para seleccionar el horno que está en uso.
3. Presione START (Inicio).

El ajuste de temperatura se puede modificar presionando Time/Temp (Tiempo/Temperatura) "+" o "-" y a continuación START (Inicio). De igual manera, el tiempo de cocción se puede modificar presionando COOK TIME (Tiempo de cocción), TIME/TEMP "+" o "-" para ajustar el tiempo que se desee, y a continuación START. Si se ajusta el tiempo de cocción, el tiempo restante es sustituido por el nuevo.

4. Coloque los alimentos en el horno.
5. Presione CANCEL (Cancelar) para el horno en uso cuando termine.
6. Retire los alimentos del horno.

Cancelación de un ciclo favorito:

1. Presione CANCEL (INICIO) para el horno deseado.
El ciclo favorito guardado no se verá afectado.
2. Retire los alimentos del horno.

Cook Time (Tiempo de cocción)

Para fijar una cocción programada:

1. Presione la tecla para cualquier función de cocción excepto Self-Clean (Autolimpieza) o Keep Warm (Mantener caliente).
2. Presione las teclas TIME/TEMP (Hora/Temperatura) "+" o "-" para ajustar la temperatura deseada. Mantenga presionado para desplazarse con rapidez. El desplazamiento por las temperaturas se detiene en la temperatura mínima o máxima admitida.
3. Presione COOK TIME (Tiempo de cocción).
4. Presione las teclas Time/Temp (Hora/Temperatura) "+" o "-" para introducir la duración de tiempo para cocinar.
5. Presione START (Inicio). En la pantalla aparecerá la cuenta regresiva del tiempo. Cuando finalice el tiempo, el horno se apagará automáticamente.

Para cambiar el ajuste de la temperatura y/o el tiempo en cualquier momento, repita los pasos 2 a 5.

6. Presione CANCEL (Cancelar) para el horno deseado y se borrará la pantalla.

Para ajustar Delayed Timed Cook (Cocción programada diferida):

1. Presione DELAY START (Inicio diferido).
2. Presione las teclas Time/Temp (Hora/Temperatura) "+" o "-" para seleccionar el horno deseado.
3. Presione las teclas Time/Temp (Hora/Temperatura) "+" o "-" para introducir el número de horas y/o minutos que desea retrasar la hora de inicio. Mantenga presionado para desplazarse con rapidez.
4. Presione la tecla para cualquier función de cocción excepto Keep Warm (Mantener caliente).
5. Presione las teclas TIME/TEMP (Hora/Temperatura) "+" o "-" para ajustar la temperatura deseada. Mantenga presionado para desplazarse con rapidez. El desplazamiento por las temperaturas se detiene en la temperatura mínima o máxima admitida.
6. Presione START (Inicio) o COOK TIME (Tiempo de cocción).
7. Presione las teclas Time/Temp (Hora/Temperatura) "+" o "-" para introducir la duración de tiempo para cocinar.
8. Presione START (Inicio).

El horno se encenderá automáticamente cuando haya alcanzado la hora de inicio. Para cambiar el ajuste de la temperatura y/o el tiempo después de la cuenta regresiva del retraso, repita los pasos 1 a 7. Al volver a fijar el tiempo y la temperatura, se debe presionar START (Inicio) para el horno deseado entre los pasos 4 y 5 para seguir haciendo cambios.

Cuando termine el tiempo de cocción fijado, el horno se apagará automáticamente.

9. Presione CANCEL (Cancelar) para el horno deseado y se borrará la pantalla.

