

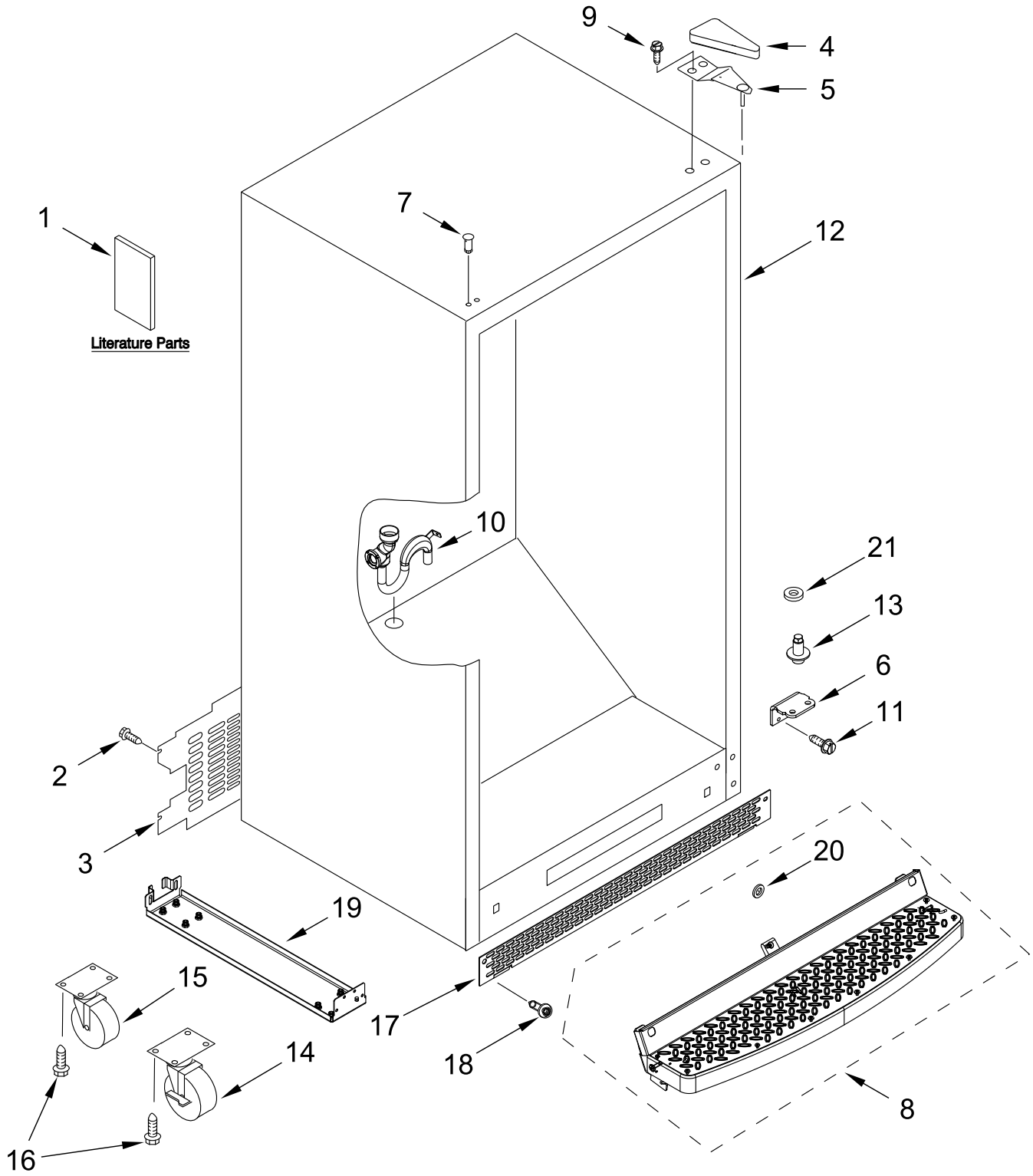


## **VERTICAL FREEZER**

### **MODELS:**

GAFZ30FDGB05 (Black)

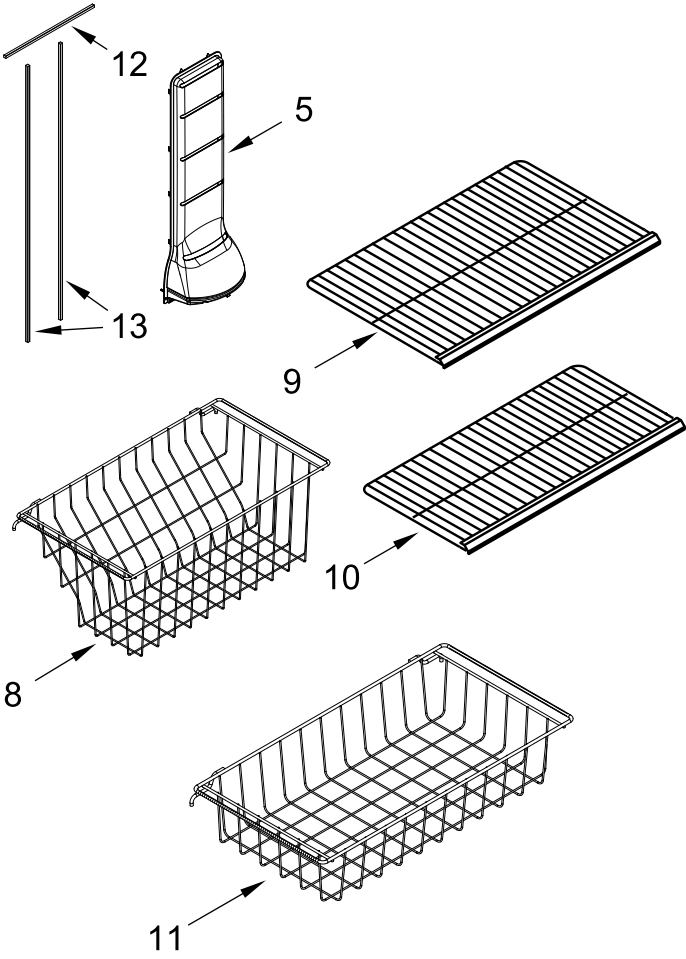
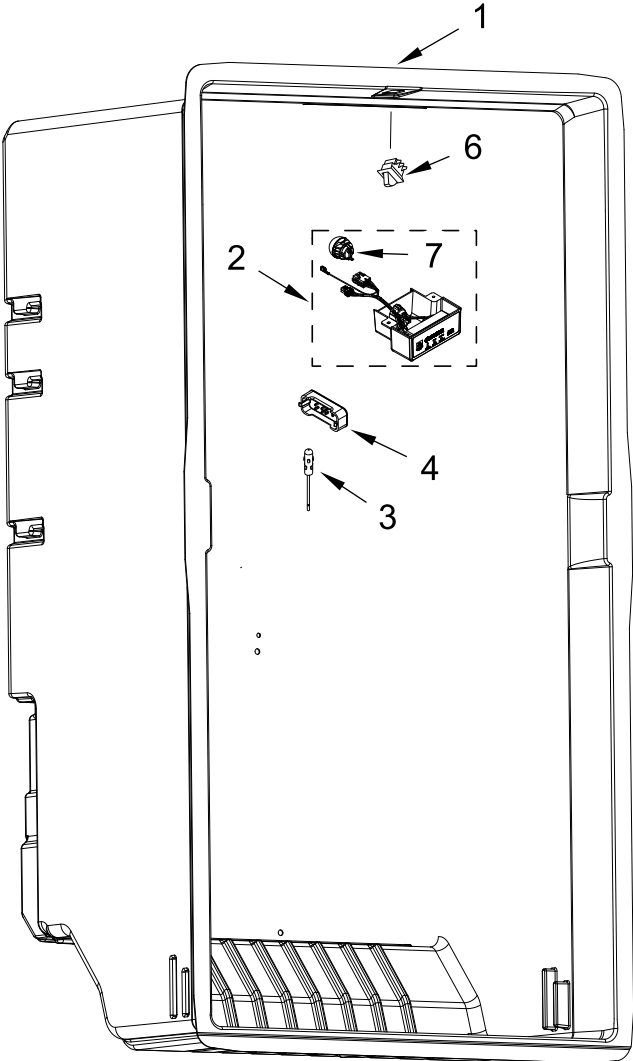
# CABINET PARTS



# CABINET PARTS

<u>Illus. No.</u>	<u>Part No.</u>	<u>Description</u>	<u>Illus. No.</u>	<u>Part No.</u>	<u>Description</u>	<u>Illus. No.</u>	<u>Part No.</u>	<u>Description</u>
1		Literature Parts	6		Plate, Bottom Hinge	14	8204601	Caster, Swivel 5"
	W11527799	Use and Care Guide		W11102844	Hammer Granite	15		Caster, Rigid 5" (With Brake)
	W11357360	Energy Guide	7		Plug, Hole		8211251	Left Hand
	W11510229	Tech Sheet		W10520305	Black		8211250	Right Hand
2	3-80675-105	Screw	8	W10897311	Assembly, Pedal	16	3400527	Screw
3	W11311062	Cover, Unit	9	3400113	Screw	17	W10891102	Grill, Toe
4		Cover, Hinge	10	W11291514	Tube, Drain	18	W11546560	Screw (Grey)
	2213363	Black	11	W10709365	Screw	19	W11088141	Bracket, Caster
5	2261963	Assembly, Top Hinge	12		Cabinet (Not A Serviceable Part)	20	W11130286	Washer
			13	W10574325	Pin, Lower Hinge	21	487576	Washer, Plastic

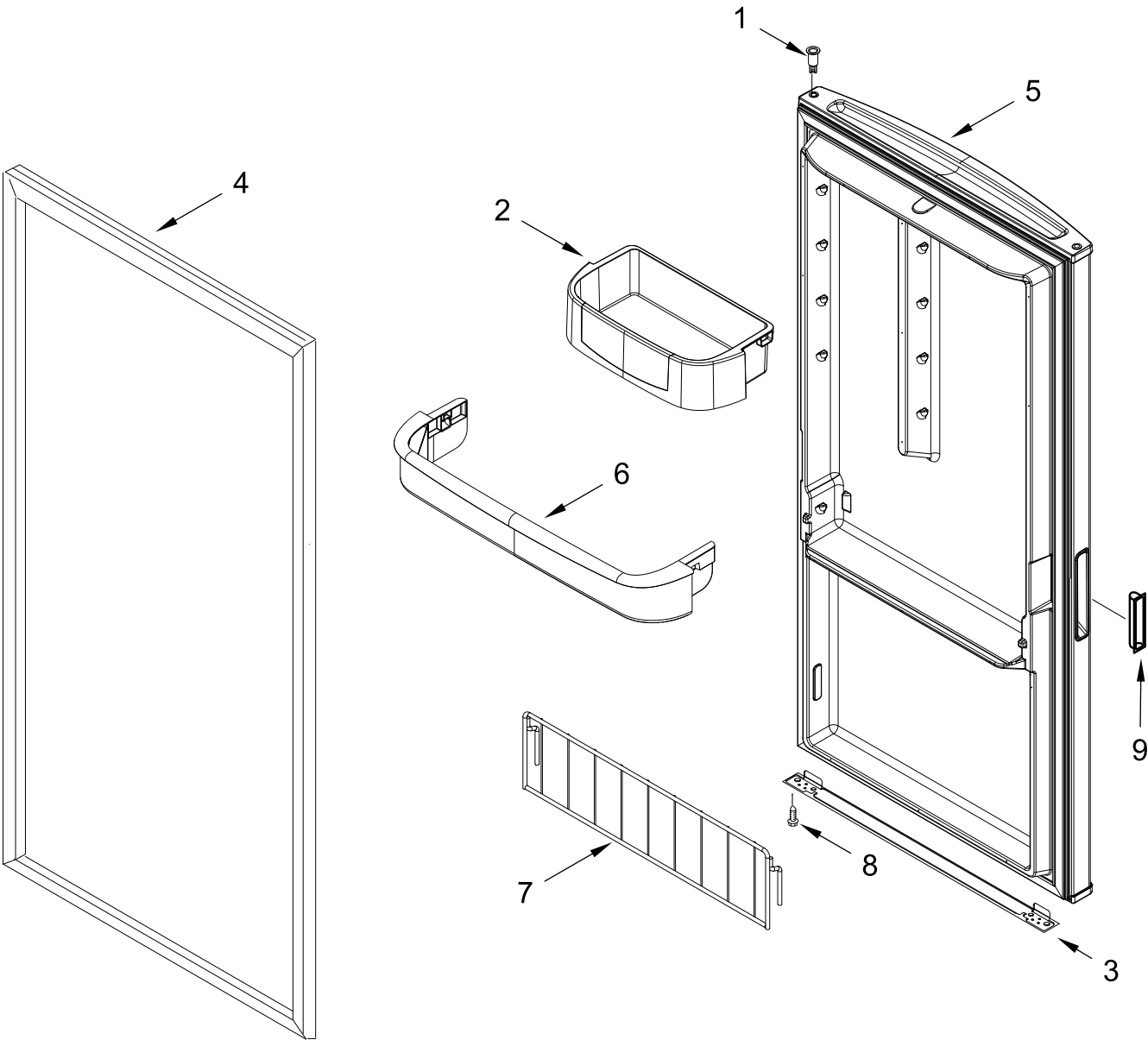
# LINER PARTS



# LINER PARTS

<u>Illus.</u> <u>No.</u>	<u>Part No.</u>	<u>Description</u>	<u>Illus.</u> <u>No.</u>	<u>Part No.</u>	<u>Description</u>	<u>Illus.</u> <u>No.</u>	<u>Part No.</u>	<u>Description</u>
1		Liner (Not A Serviceable Part)	5	W10574583	Tower, Air	10	W10581579	Wire Shelf, Shallow
2	W11555874	Control Assembly	6	W11514900	Switch, Light	11	W10736055	Basket, Shallow
3	W10384183	Thermistor	7	W11254095	Module, LED	12	W10574564	Gasket, Air Tower (Horizontal)
4	W10608692	Cover, Thermistor	8	W10736043	Basket, Deep	13	W10574368	Gasket, Air Tower (Vertical)
			9	W10581578	Wire Shelf, Deep			

# DOOR PARTS



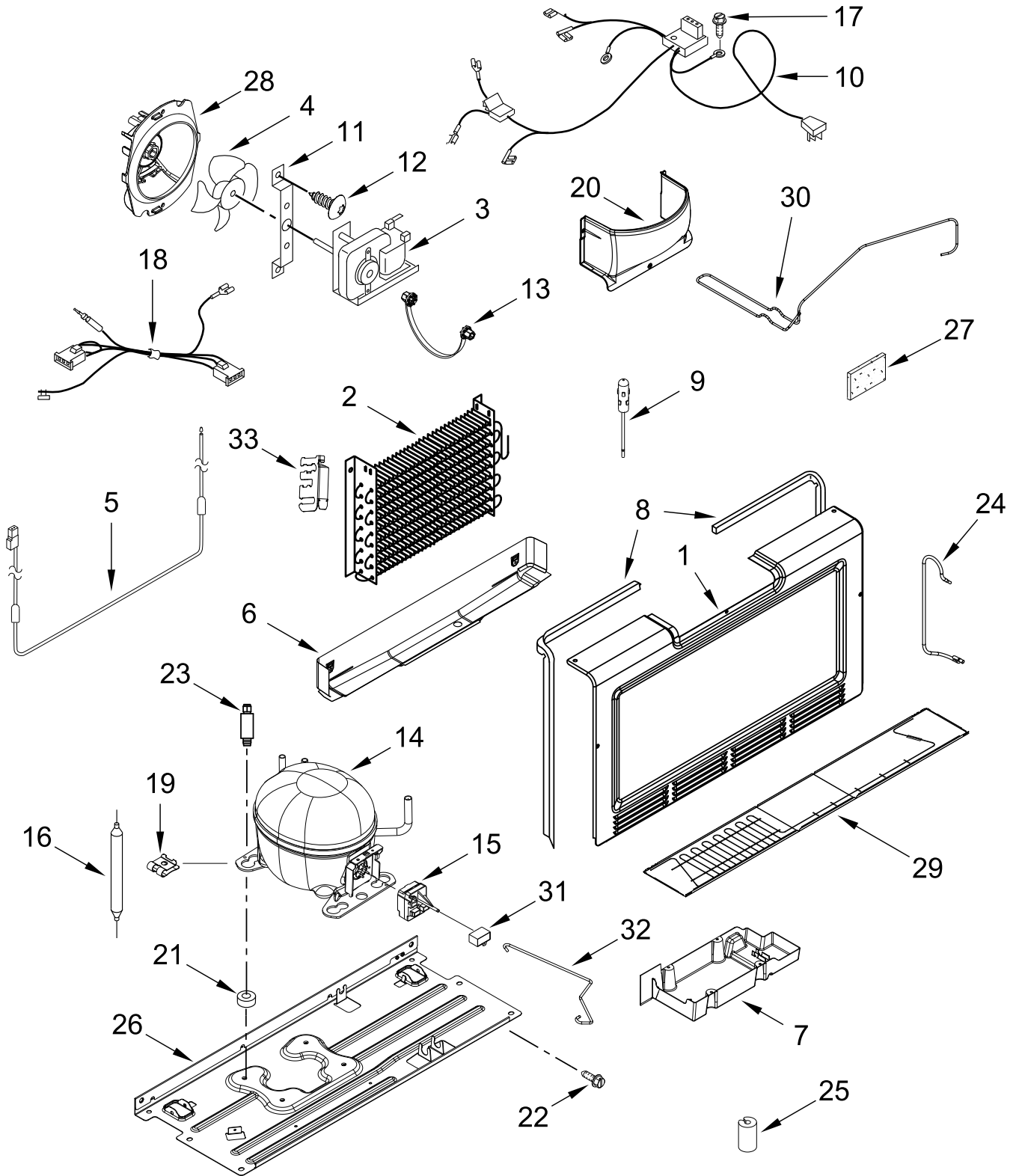
# DOOR PARTS

<u>Illus.</u> <u>No.</u>	<u>Part No.</u>	<u>Description</u>
1	2314293	Thimble
2		Bucket, Door
	W11030699	Small
	W11082376	Medium
3	W10891103	Stop, Door

<u>Illus.</u> <u>No.</u>	<u>Part No.</u>	<u>Description</u>
4		Gasket, Door
	W11102846	Black
5		Door Assembly
	W11102809	Black
6	12557904	Retainer, Door

<u>Illus.</u> <u>No.</u>	<u>Part No.</u>	<u>Description</u>
7	W10656118	Door, Pizza Shelf
8	7101P356-60	Screw
9		Handle, Cup
	W11374422	Black

# UNIT PARTS





# UNIT PARTS

<u>Illus.</u> <u>No.</u>	<u>Part No.</u>	<u>Description</u>	<u>Illus.</u> <u>No.</u>	<u>Part No.</u>	<u>Description</u>	<u>Illus.</u> <u>No.</u>	<u>Part No.</u>	<u>Description</u>	
1	W10574307	Cover, Evaporator	14	W11332031	Compressor	21	10835903	Grommet	
2	W11490402	Evaporator (Also Order the Following Lokring Parts)			(Also Order the Following Lokring Parts)	22	W10142287	Screw	
	W11504450	4/1.8 NR MS 00 (Capillary Tube to Evaporator)		W11504420	8/6 NR MS 00 (Suction Tube to Compressor)	23	W10720825	Screw	
	W11504420	8/6 NR MS 00 (Suction Line to Evaporator)		W11504431	7/5 NR MS 00 (Discharge Tube to Compressor)	24	W11591093	Tube, Suction	
3	W11340536	Motor, Fan		W11506622	6.35 NK AL 00 (Charging Tube to Compressor)	25	2319835	Grommet, Condenser	
4	2169142	Blade, Fan		W11506635	Tube, Charging (1/4" w/ Schrader Valve)	26	W10574278	Pan, Compressor	
5	W11340898	Heater, Defrost	15	W11359985	Device, Start	27	2169104	Insulation, Sound Deadening	
6	W11483529	Shield, Heat	16	W10805035	Drier (Service Drier Without Dye) (Also Order the Following Lokring Parts)	28	W10574469	Shroud, Evaporator Fan	
7	W10574291	Pan, Evaporator Drain		W11506623	5 NK MS 00 Drier to Condenser	29		Condenser (Not Serviced)	
8	W10574305	Gasket, Evaporator Cover		W11504448	5/1.8 NR AL 00 (Capillary Tube to Drier)	30	W10574478	Tube, Discharge (Also Order the Following Lokring Parts)	
9	W10384183	Thermistor		17	1-80257-102	Screw		W11504431	7/5 NR MS 00 (Discharge Tube to Compressor)
10	W11526231	Unit Harness (Includes Power Cord)		18	W11435965	Harness, Evaporator Fan		W11578570	7/4.5 NR MS 00 (Discharge Tube to Condenser)
11	13058002	Clip, Evaporator Motor		19	W10697017	Clip, Retaining	31	W11584490	Run Capacitor
12	W11546547	Screw		20	W10574581	Cover, Evaporator Fan	32	W11379613	Strap, Bale
13	W10150583	Grommet, Fan Motor					33	W11452250	Bracket, Evaporator  REFRIGERANT CHARGE  49 grams (R600a)

# OPTIONAL PARTS (NOT INCLUDED)

<u>Illus.</u> <u>No.</u>	<u>Part No.</u>	<u>Description</u>
		PAINT, PRESSURIZED SPRAY (12 oz.)
	350939	Enamel, Black
	8171357	Graphite
		Important: The spray paint is not to be used where the paint may make contact with the door gaskets.
		TOUCH-UP PAINT
	72032	Black
	80051	Graphite
		PAINT, BULK (1 QT.)
	8171358	Graphite
		MISCELLANEOUS
	212643	Sealer, Gum (4 Feet)
	479502	Tape, Vinyl (3/4 x 108")
	505587	Sealer, Mastic (1 Qt)
	503695	Cork, Sealer
	542638	Grease, Silicone (1/2 Oz.)
	542639	Cement, Alumilastic (1 1/4 Oz.)
	833938	Kit, Terminal Connector
		TORX SCREW WRENCH
	1117510	Torx Key