

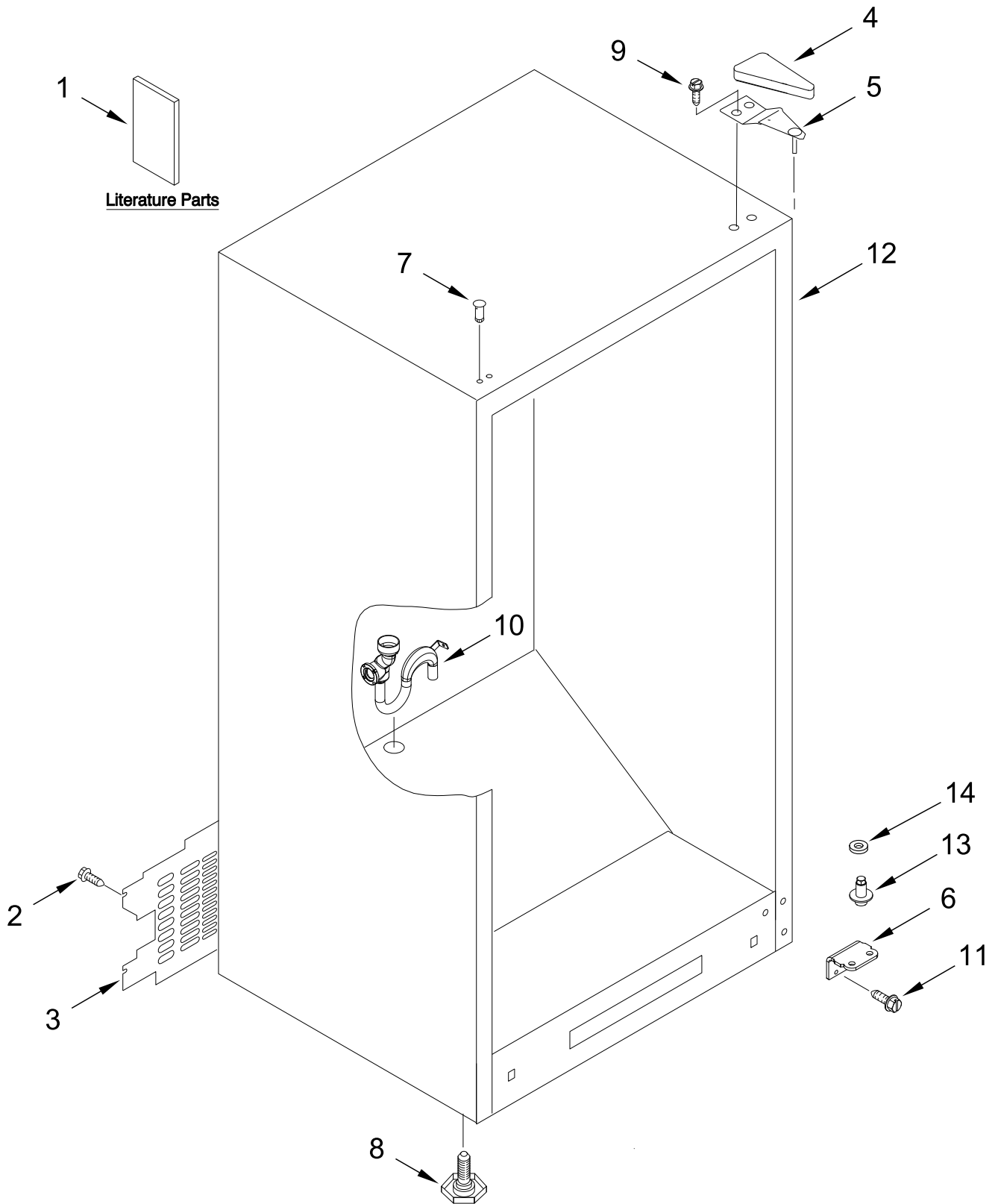
# AMANA®

## VERTICAL FREEZER

### MODELS:

AZF33X16DW09 (White)

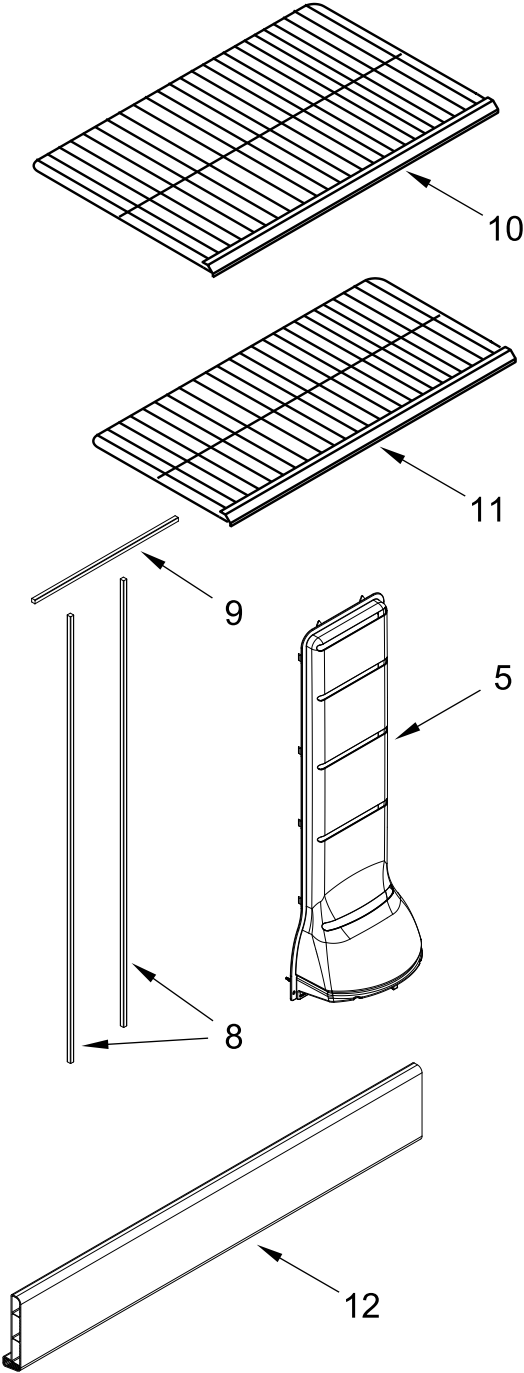
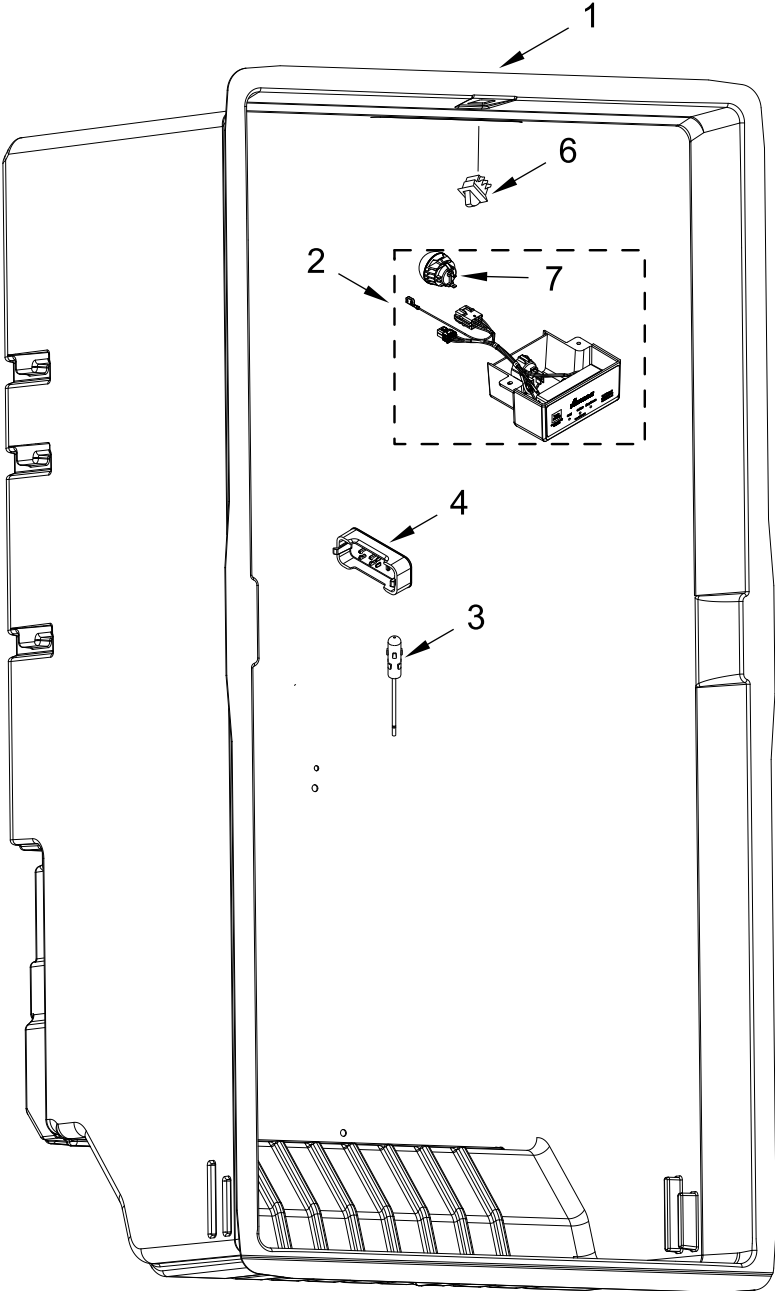
# CABINET PARTS



# CABINET PARTS

<u>Illus. No.</u>	<u>Part No.</u>	<u>Description</u>	<u>Illus. No.</u>	<u>Part No.</u>	<u>Description</u>	<u>Illus. No.</u>	<u>Part No.</u>	<u>Description</u>
1		Literature Parts	6		Plate, Bottom Hinge	12		Cabinet (Not A Serviceable Part)
	W11507042	Owner's Manual		W10574264	White	13	W10574325	Pin, Lower Hinge
	W11357346	Energy Guide	7		Plug, Hole	14	487576	Washer, Plastic
	W11510229	Tech Sheet		W10520304	White			
2	3-80675-105	Screw	8	3-82710-001	Leg, Leveler			
3	W11311062	Cover, Unit	9	3400113	Screw			
4		Cover, Hinge	10	W11291514	Tube, Drain			
	2213360	White	11	W10709365	Screw			
5	2261963	Assembly, Top Hinge						

# LINER PARTS



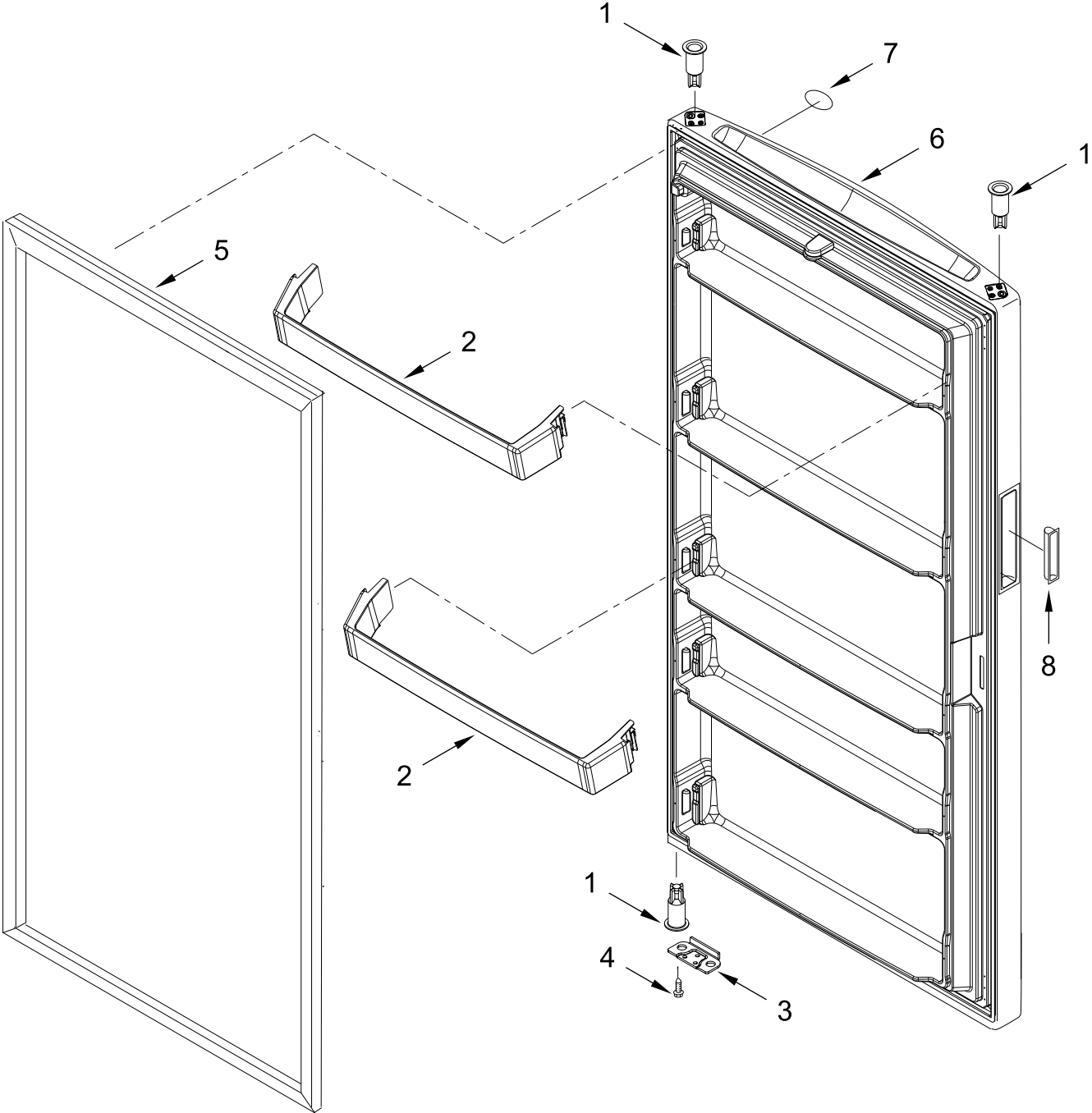
# LINER PARTS

<u>Illus.</u> <u>No.</u>	<u>Part No.</u>	<u>Description</u>
1		Liner (Not A Serviceable Part)
2	W11555881	Control Assembly
3	W10384183	Thermistor
4	W10608692	Cover, Thermistor
5	W10574585	Air Tower

<u>Illus.</u> <u>No.</u>	<u>Part No.</u>	<u>Description</u>
6	W11514900	Switch, Light
7	W11254095	Module, LED
8	W10574563	Gasket, Air Tower (Vertical)
9	W10574564	Gasket, Air Tower (Horizontal)

<u>Illus.</u> <u>No.</u>	<u>Part No.</u>	<u>Description</u>
10	W10569280	Wire Shelf, Deep
11	W10569281	Wire Shelf, Shallow
12	W10581588	Trim, Door

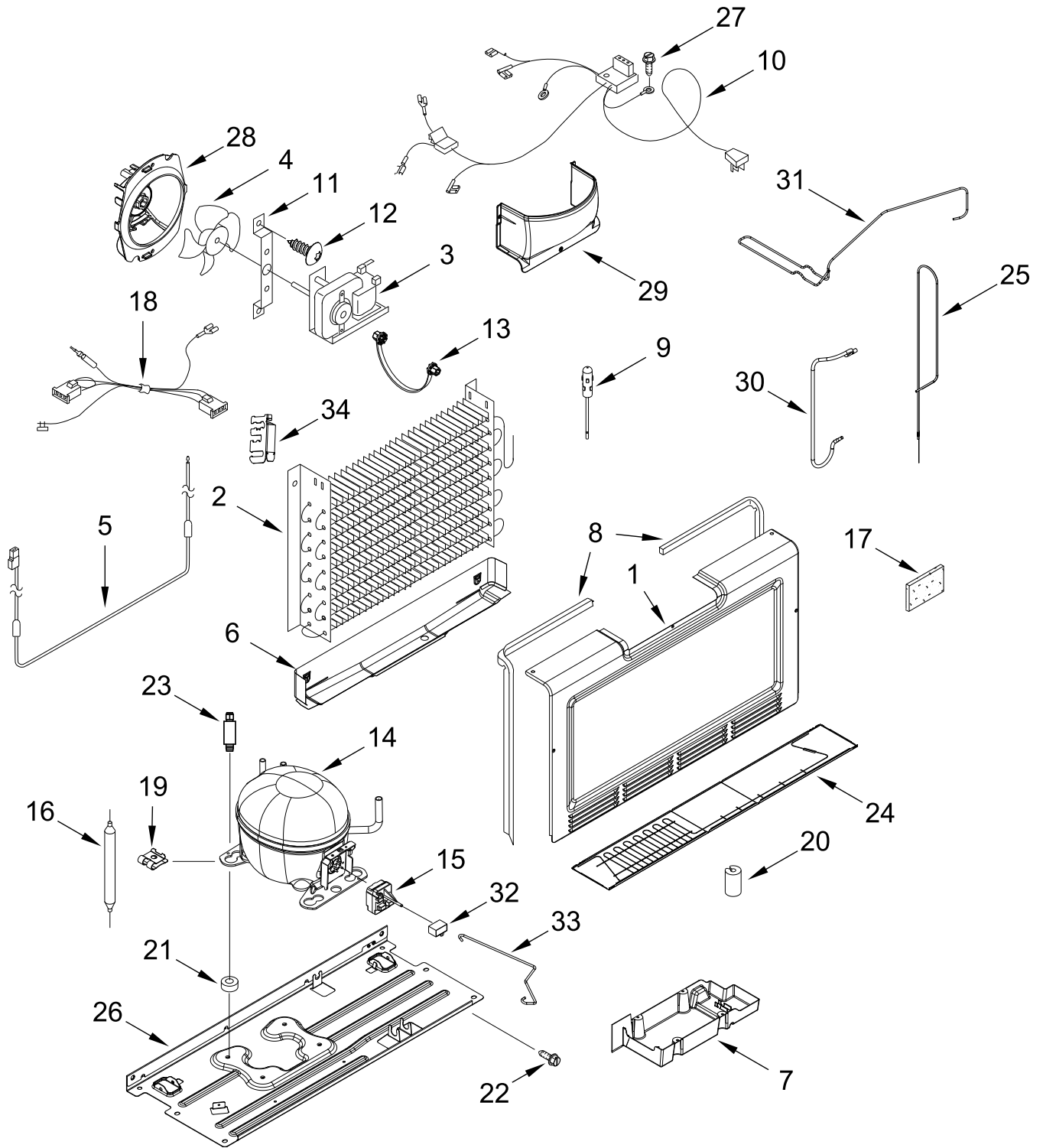
# DOOR PARTS



# DOOR PARTS

<u>Illus.</u> <u>No.</u>	<u>Part No.</u>	<u>Description</u>	<u>Illus.</u> <u>No.</u>	<u>Part No.</u>	<u>Description</u>	<u>Illus.</u> <u>No.</u>	<u>Part No.</u>	<u>Description</u>
1	2314293	Thimble	6		Assembly, Door (Includes Handle Cup)	8		Handle, Cup
2	W10737497	Rail, Door Shelf				W10352523		White
3	W10628869	Bracket, Door Stop		W10574703	White			
4	7101P356-60	Screw	7	W11046244	Badge			
5		Gasket, Door						
	W10574473	White						

# UNIT PARTS





# UNIT PARTS

<u>Illus.</u> <u>No.</u>	<u>Part No.</u>	<u>Description</u>	<u>Illus.</u> <u>No.</u>	<u>Part No.</u>	<u>Description</u>	<u>Illus.</u> <u>No.</u>	<u>Part No.</u>	<u>Description</u>
1	W10574307	Cover, Evaporator	14	W11332031	Compressor	20	2319835	Grommet, Condenser
2	W11490402	Evaporator (Also Order the Following Lokring Parts)			(Also Order the Following Lokring Parts)	21	10835903	Grommet
	W11504450	4/1.8 NR MS 00 (Capillary Tube to Evaporator)		W11504420	8/6 NR MS 00 (Suction Tube to Compressor)	22	W10142287	Screw
	W11504420	8/6 NR MS 00 (Suction Line to Evaporator)		W11504431	7/5 NR MS 00 (Discharge Tube to Compressor)	23	W10720825	Screw
3	W11340536	Motor, Fan			(Charging Tube to Compressor)	24		Condenser (Not Serviced)
4	2169142	Blade, Fan				25		Exchanger, Heat (Not Serviced)
5	W11340898	Heater, Defrost		W11506635	Tube, Charging (1/4" w/ Schrader Valve)	26	W10574278	Pan, Compressor
6	W11483529	Shield, Heat	15	W11359985	Device, Start	27	1-80257-102	Screw
7	W10574291	Pan, Evaporator Drain	16	W10805035	Drier (Service Drier Without Dye)	28	W10574469	Shroud, Evaporator Fan
8	W10574305	Gasket, Evaporator Cover			(Also Order the Following Lokring Parts)	29	W10574581	Cover, Evaporator Fan
9	W10384183	Thermistor				30	W11591093	Tube, Suction
10	W11526231	Unit Harness (Includes Power Cord)		W11506623	5 NK MS 00 (Drier to Condenser)	31	W10574478	Tube, Discharge (Also Order the Following Lokring Parts)
11	13058002	Clip, Evaporator Motor					W11504431	7/5 NR MS 00 (Discharge Tube to Compressor)
12	W11546547	Screw		W11504448	5/1.8 NR AL 00 (Capillary Tube to Drier)		W11578570	7/4.5 NR MS 00 (Discharge Tube to Condenser)
13	W10150583	Grommet, Fan Motor	17	2169104	Insulation, Sound Deadening	32	W11584490	Run Capacitor
			18	W11435965	Harness, Evaporator Fan	33	W11379613	Strap, Bale
			19	W10697017	Clip, Retaining	34	W11452250	Bracket, Evaporator
								REFRIGERANT CHARGE
								47 grams (R600A)

# OPTIONAL PARTS (NOT INCLUDED)

## PAIN, PRESSURIZED SPRAY (12 OZ.)

<u>Illus. No.</u>	<u>Part No.</u>	<u>Description</u>
	350942	White Primer
	350939	Enamel, Black
	350930	White
	8171357	Graphite

## PAIN, TOUCH-UP (1/2OZ.)

<u>Illus. No.</u>	<u>Part No.</u>	<u>Description</u>
	72017	White
	72032	Black
	80051	Graphite
	W10134625	Apollo Grey

## PAIN, BULK (1 QT.)

<u>Illus. No.</u>	<u>Part No.</u>	<u>Description</u>
	799344	White (Uncut)
	8171358	Graphite

## MISCELLANEOUS

<u>Illus. No.</u>	<u>Part No.</u>	<u>Description</u>
	212643	Sealer, Gum (4 Feet)
	479502	Tape, Vinyl (3/4 x 108")
	505587	Sealer, Mastic (1 Qt)
	503695	Cork, Sealer
	542638	Grease, Silicone (1/2 Oz.)
	542639	Cement, Alumilastic (1 1/4 Oz.)
	833938	Kit, Terminal Connector

## TORX SCREW WRENCH

<u>Illus. No.</u>	<u>Part No.</u>	<u>Description</u>
	1117510	Torx Key