



INSTALLATION INSTRUCTIONS BUILT-IN 24" SINGLE AND DOUBLE OVEN

INSTRUCTIONS D'INSTALLATION FOURS ENCASTRÉS SIMPLES ET DOUBLES DE 24 PO

Table of Contents / Table des matières

BUILT-IN OVEN SAFETY	1	SÉCURITÉ DU FOUR ENCASTRÉ	17
INSTALLATION REQUIREMENTS	2	EXIGENCES D'INSTALLATION	18
Tools and Parts.....	2	Outils et pièces.....	18
Location Requirements.....	2	Exigences d'emplacement.....	18
Electrical Requirements.....	7	Spécifications électriques.....	23
INSTALLATION INSTRUCTIONS	8	INSTRUCTIONS D'INSTALLATION	24
Prepare Built-In Oven.....	8	Préparer le four encastré.....	24
Remove Oven Door(s).....	8	Enlever la ou les portes du four.....	24
Make Electrical Connection.....	8	Raccordement électrique.....	24
Single Oven Installation.....	10	Installation du four simple.....	26
Complete Single Oven Installation.....	11	Installation complète du four simple.....	27
Double Oven Installation.....	12	Installation du four double.....	28
Complete Double Oven Installation.....	15	Installation complète du four double.....	31
Final Installation Checklist.....	16	Liste de contrôle d'installation finale.....	32

BUILT-IN OVEN SAFETY

Your safety and the safety of others are very important.

We have provided many important safety messages in this manual and on your appliance. Always read and obey all safety messages.



This is the safety alert symbol.

This symbol alerts you to potential hazards that can kill or hurt you and others.

All safety messages will follow the safety alert symbol and either the word "DANGER" or "WARNING."

These words mean:

⚠ DANGER

You can be killed or seriously injured if you don't immediately follow instructions.

⚠ WARNING

You can be killed or seriously injured if you don't follow instructions.

All safety messages will tell you what the potential hazard is, tell you how to reduce the chance of injury, and tell you what can happen if the instructions are not followed.

IMPORTANT:

Save for local electrical inspector's use.

IMPORTANT :

Conserver ces instructions à l'usage de l'inspecteur des installations électriques local.

INSTALLATION REQUIREMENTS

Tools and Parts

Gather the required tools and parts before starting installation. Read and follow the instructions provided with any tools listed here.

Tools needed

- Phillips screwdriver
- Measuring tape
- Hand or electric drill (for wall cabinet installations)
- 1" (2.5 cm) drill bit (for wall cabinet installations)
- Level

Parts needed

- UL listed or CSA-approved conduit connector
- UL listed wire connectors

Parts Supplied

Single Oven Parts Supplied

- Two 4 x 25 mm self-tapping screws
- Two brackets (some models only)
- 14 screws 4 x 12 mm (some models only)
- 14 washers 15 mm diameter (some models only)
- 1 aesthetic panel (metallic or glass based on the model)

Double Oven Parts Supplied

- Four 4 x 25 mm self-tapping screws
- Two brackets
- 14 screws 4 x 12 mm
- 14 washers 15 mm diameter
- 1 aesthetic panel (metallic or glass based on the model)

Check local codes. Check existing electrical supply. See "Electrical Requirements."

It is recommended that all electrical connections be made by a licensed, qualified electrical installer.

Location Requirements

IMPORTANT: Observe all governing codes and ordinances.

- Cabinet opening dimensions that are shown must be used. Given dimensions provide minimum clearance with oven.
- Recessed installation area must provide complete enclosure around the recessed portion of the oven.
- Grounded electrical supply is required. See "Electrical Requirements" section.
- Electrical supply junction box should be located 3" (7.6 cm) maximum below the support surface when the oven is installed in a wall cabinet. A 1" (2.5 cm) minimum diameter hole should have been drilled in the right rear or left rear corner of the support surface to pass the appliance cable through to the junction box.

NOTE: For undercounter installation, it is recommended that the junction box be located in the adjacent right or left cabinet. If you are installing the junction box on rear wall behind oven, the junction box must be recessed and located in the upper or lower right or left corner of the cabinet to allow the oven to fit into the cabinet opening.

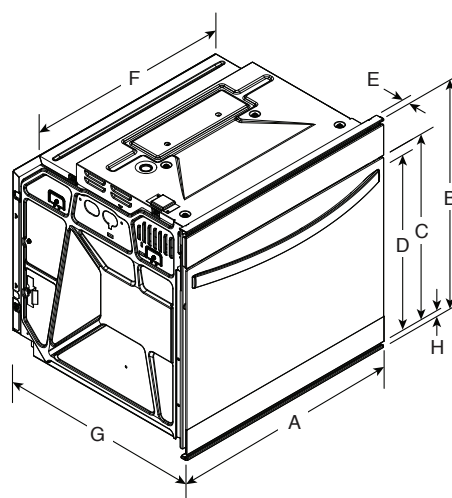
- Oven support surface must be solid, level and flush with bottom of cabinet cutout. Floor must be able to support an oven weight of 140 lbs (63.5 kg) or a double oven weight of 245 lbs (111.1 kg).

IMPORTANT: To avoid damage to your cabinets, check with your builder or cabinet supplier to make sure that the materials used will not discolor, delaminate or sustain other damage. This oven has been designed in accordance with the requirements of UL and CSA International and complies with the maximum allowable wood cabinet temperatures of 194°F (90°C).

Undercounter Installation (with cooktop installed above):

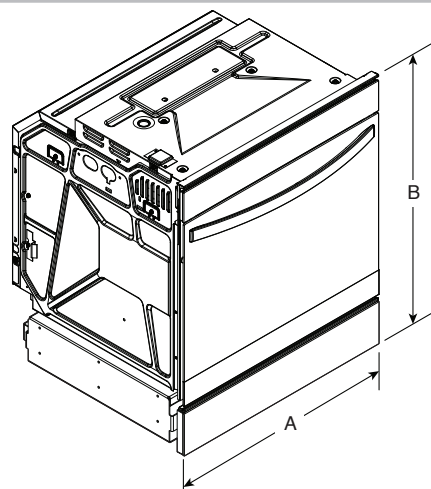
Ovens approved for this type of installation have an approval label located on the top of the oven. Refer to undercounter installation instructions for cutout dimensions and approved oven cooktop combinations (separate sheet).

Product Dimensions



- A. 23⁷/₁₆" (59.5 cm)
- B. 23⁷/₁₆" (59.5 cm)
- C. 18¹⁵/₁₆" (48.1 cm)
- D. 18" (45.7 cm)
- E. 7¹/₈" (2.2 cm)
- F. 21⁷/₈" (55.6 cm)
- G. 22³/₈" (56.8 cm)
- H. 5¹/₈" (1.6 cm)

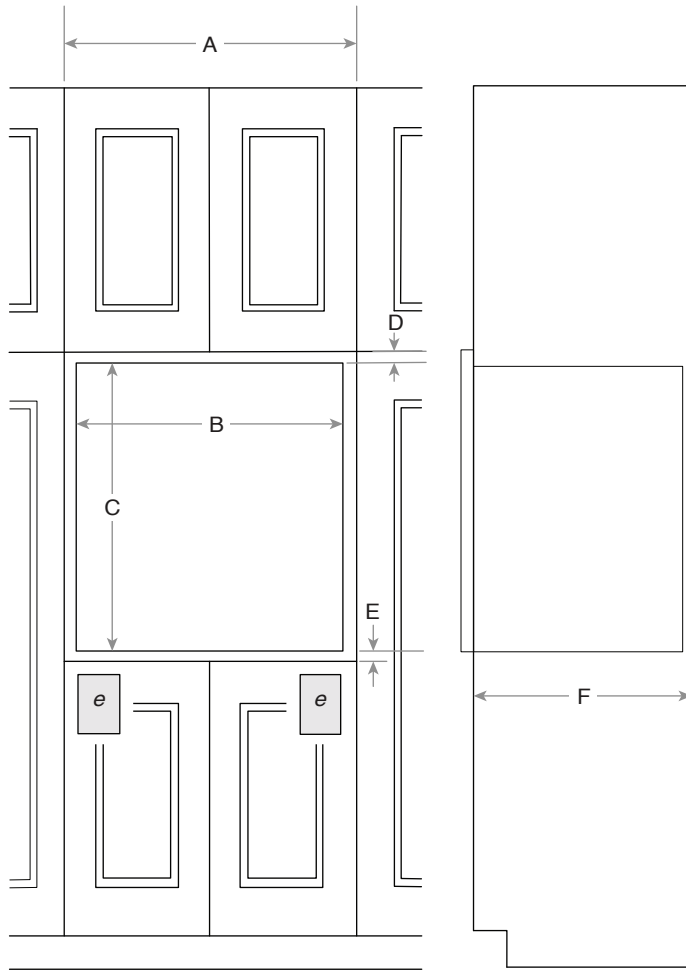
Single Oven with Trim Kit



- A. 23⁷/₁₆" (59.5 cm) overall width
- B. 27¹⁵/₁₆" (71 cm) maximum overall height

Single Oven - Traditional Installation

OPENING/CLEARANCE DIMENSIONS

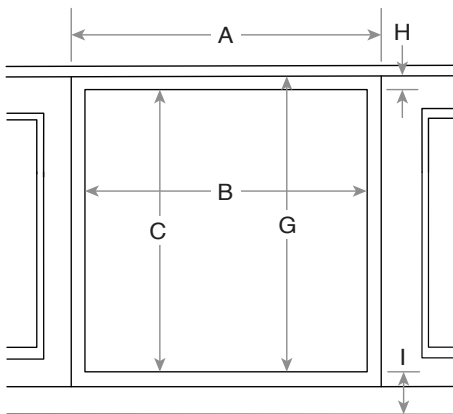


FRONT VIEW

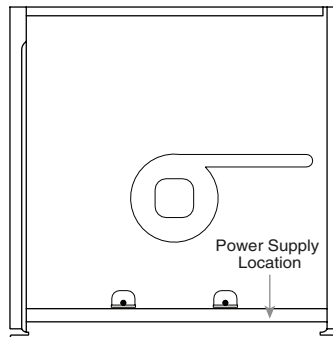
SIDE VIEW

		in	cm
A	Width of cabinet (minimum)	24	61
B	Width of cutout (minimum)	22 ⁵ / ₈	57.5
C	Height of cutout without trim	22 ¹⁵ / ₁₆	58.2
	Height of cutout with trim	27 ³ / ₄	70.5
D	Top of cutout to bottom of upper cabinet door (minimum)	1/4	0.65
E	Bottom of cutout to top of lower cabinet door (minimum)	1/2	1.2
F	Depth of cutout (minimum)	23 ³ / ₄	59.1
G	Underside of countertop to bottom of cutout (minimum)	31 ³ / ₈	79.7
H	Top of cutout to underside of countertop (minimum)	2 ⁵ / ₈	6.7
I	Bottom of cutout to floor (minimum)	3 ⁷ / ₈	9.8
e	Recommended junction box location		

NOTE: True dimensions are in mm or cm and converted to inches.



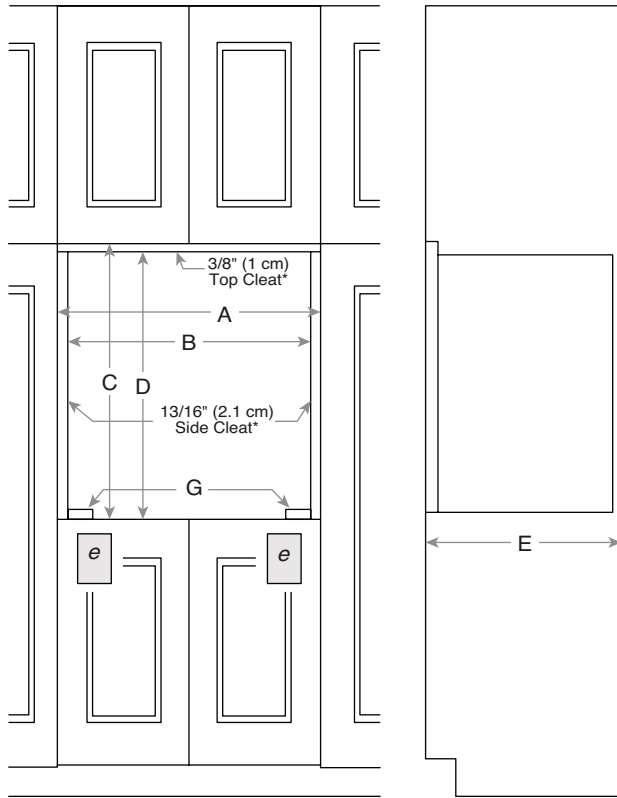
UNDER COUNTER INSTALLATION



BACK VIEW

Single Oven - Flush Installation

OPENING/CLEARANCE DIMENSIONS

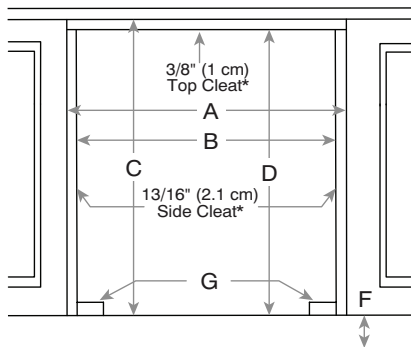


FRONT VIEW

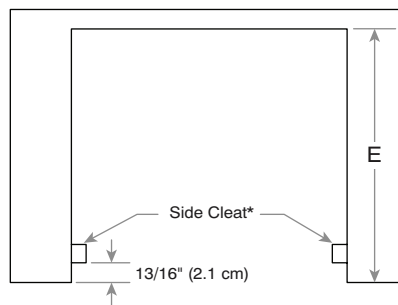
SIDE VIEW

		in	cm
A	Width of flush inset cutout (minimum)	$23\frac{11}{16}$	60.1
B	Width of opening (minimum)	$22\frac{5}{8}$	57.5
C	Height of flush inset cutout without trim kit (minimum)	$23\frac{3}{4}$	60.3
	Height of flush inset cutout with trim kit (minimum)	$28\frac{1}{4}$	71.8
D	Height of opening without trim (minimum)	$23\frac{3}{8}$	59.3
	Height of opening with trim (minimum)	$27\frac{7}{8}$	70.8
E	Depth of cutout (minimum)	$23\frac{1}{4}$	59.1
F	Bottom of cutout to floor for under counter installation (minimum)	$4\frac{1}{16}$	10.3
G	Spacer (entire depth of cutout) Height X Width $3/8"$ x $2"$ (1 cm X 5.1 cm)		
e	Recommended junction box location		

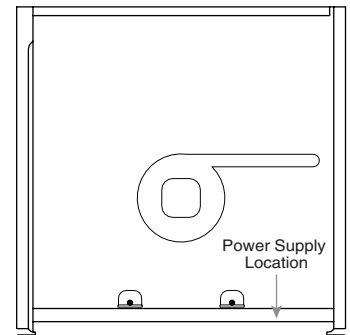
NOTE: True dimensions are in mm or cm and converted to inches.



UNDER COUNTER INSTALLATION



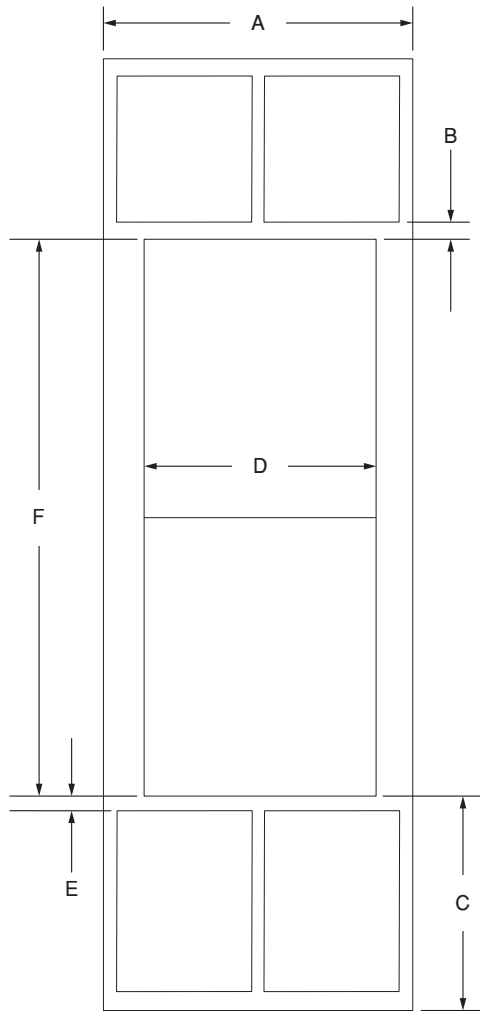
TOP VIEW



BACK VIEW

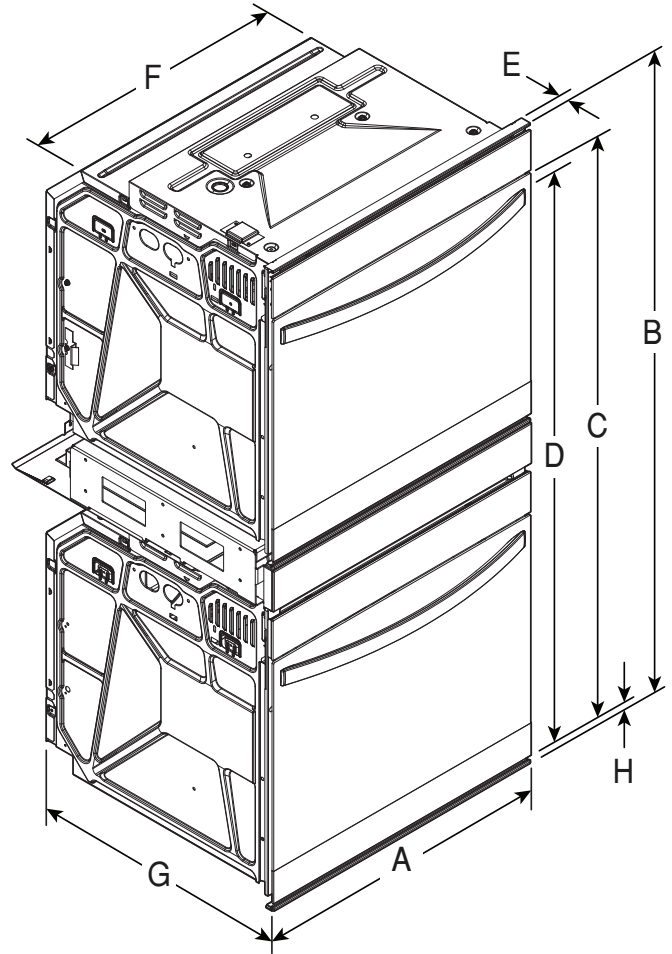
Double Oven Cabinet Dimensions - Traditional Installation

Double Oven Installed in Cabinet



- A. 24" (61 cm) minimum cabinet width
- B. 1" (2.5 cm) top of cutout to bottom of upper cabinet door
- C. 14³/₄" (37.5 cm) bottom of cutout to floor
- D. 22⁵/₈" (57.5 mm) cutout width
- E. 1¹/₂" (3.8 cm) minimum bottom of cutout to top of cabinet door
- F. 49³/₄" (126.4 cm) minimum cutout height

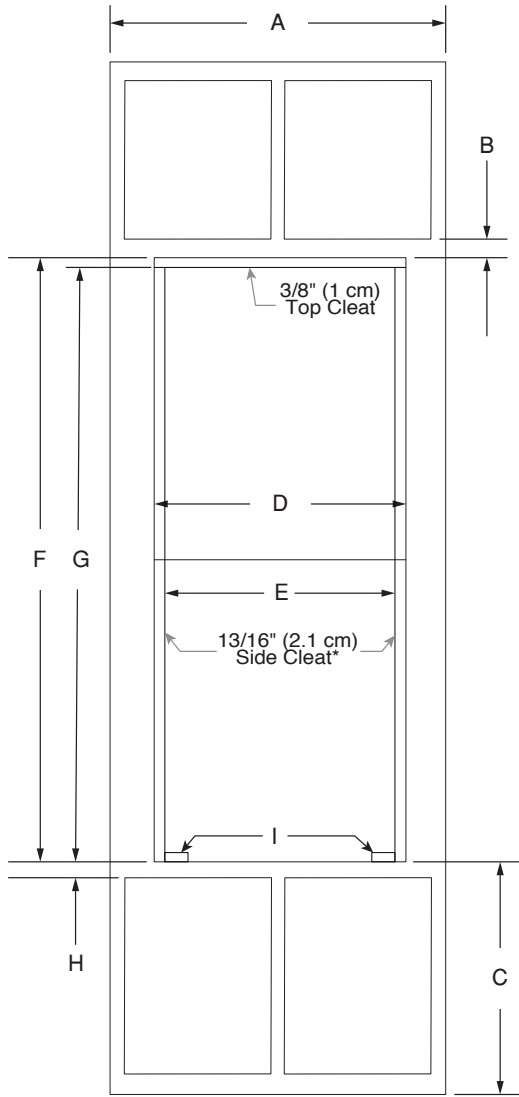
Double Oven with Trim Kit



- A. 23⁷/₁₆" (59.5 cm)
- B. 50¹/₄" (127.7 cm)
- C. 45³/₄" (116.3 cm)
- D. 44¹³/₁₆" (113.9 cm)
- E. 7/8" (2.2 cm)
- F. 21⁷/₈" (55.6 cm)
- G. 22³/₈" (56.8 cm)
- H. 5/8" (1.6 cm)

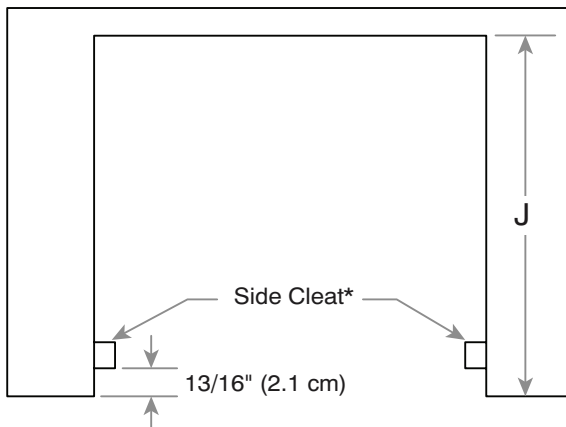
Double Oven Cabinet Dimensions - Flush Installation

Double Oven Installed in Cabinet



FRONT VIEW

- A. $25\frac{1}{16}$ " (63.6 cm) minimum cabinet width
- B. 1" (2.5 cm) top of cutout to bottom of upper cabinet door
- C. $14\frac{3}{4}$ " (37.5 cm) bottom of cutout to floor
- D. $23\frac{11}{16}$ " (60.1 cm) flush insert cutout width
- E. $22\frac{5}{8}$ " (57.5 cm) opening width
- F. $50\frac{7}{16}$ " (128.1 cm) minimum cutout height
- G. $50\frac{1}{16}$ " (127.1 cm)
- H. $1\frac{1}{2}$ " (3.8 cm) minimum bottom of cutout to top of cabinet door
- I. Spacer (entire width of cutout)
Height x Width
 $3/8$ " x $2\frac{1}{64}$ " (1 cm x 5.1 cm)
- J. $23\frac{1}{4}$ " (59.1 mm) depth of cutout (minimum)



TOP VIEW

Electrical Requirements

If codes permit and a separate ground wire is used, it is recommended that a qualified electrical installer determine that the ground path and the wire gauge are in accordance with local codes.

Check with a qualified electrical installer if you are not sure the oven is properly grounded.

This oven must be connected to a grounded metal, permanent wiring system.

Be sure that the electrical connection and wire size are adequate and in conformance with the National Electrical Code, ANSI/NFPA 70 — latest edition or CSA Standards C22. 1-94, Canadian Electrical Code, Part 1 and C22.2 No. O-M91 — latest edition, and all local codes and ordinances.

A copy of the above code standards can be obtained from:

National Fire Protection Association
1 Batterymarch Park Quincy,
MA 02169-7471
CSA International
8501 East Pleasant Valley Road
Cleveland, OH 44131-5575

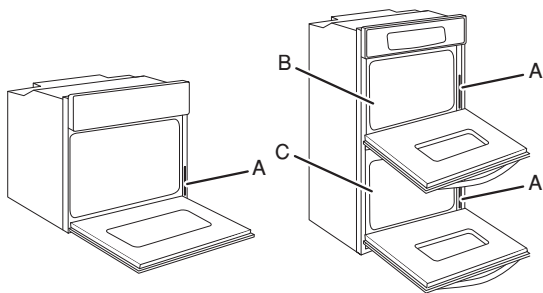
Electrical Connection

To properly install your oven, you must determine the type of electrical connection you will be using and follow the instructions provided for it here.

- Oven/s must be connected to the proper electrical voltage and frequency as per table below -

Type of Oven	Series	Voltage	Frequency	Rating
Single	WOS52ES4M*, YWOS52ES4M*	208 V	60 Hz	3.2 kW
		240 V	60 Hz	4.2 kW
Double	WOD52ES4M*	208 V	60 Hz	6.3 kW
		240 V	60 Hz	8.4 kW

- The rating information for each oven can also be found on the model/serial number rating plate. The model/serial number rating plate is on the right vertical part of the oven frame. See the following illustration.



Single Oven

Double Oven

- A. Model/serial number rating plate
- A. Model/serial number rating plate
- B. Upper Oven
- C. Lower Oven

NOTE: The rating plate information is applicable for individual oven. For double oven configuration, refer to the information in the table above.

- Models rated 4.2 kW and below at 208/240 V require a separate 15-20 A circuit. Models rated 6.3 kW and above at 208/240 V require a separate 40 A circuit.
- A circuit breaker is recommended.
- Connect directly to the circuit breaker box (or fused disconnect) through flexible, armored or nonmetallic sheathed, copper cable (with grounding wire). See “Make Electrical Connection” section.
- A UL listed or CSA Approved flexible conduit from the oven should be connected directly to the junction box.
- Fuse both sides of the line.
- Do not cut the conduit. The length of conduit provided is for serviceability of the oven.
- A UL listed or CSA approved conduit connector must be provided.
- If the house has aluminum wiring, follow the procedure below:

Connect the aluminum wiring using special connectors and/or tools designed and UL listed for joining copper to aluminum.

Follow the electrical connector manufacturer’s recommended procedure. Aluminum/copper connection must conform with local codes and industry accepted wiring practices.

INSTALLATION INSTRUCTIONS

Prepare Built-In Oven

1. Decide on the final location for the oven. Avoid drilling or cutting into house wiring during installation.

⚠ WARNING

Excessive Weight Hazard

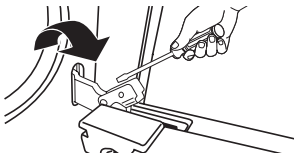
**Use two or more people to move and install oven.
Failure to do so can result in back or other injury.**

2. To avoid floor damage, set the oven onto cardboard prior to installation. Do not use handle or any portion of the front frame for lifting.
3. Remove the shipping materials and tape from the oven.
4. Remove the hardware package from inside the bag containing literature.
5. Remove and set aside racks, oven bottom trim, and other parts from inside the oven.
6. Move oven and cardboard close to the oven's final location.
7. Remove oven door.

Remove Oven Door(s)

IMPORTANT: Use both hands to remove oven doors.

1. Open oven door all the way.
2. Flip up the hinge latch on each side.



3. Close the oven door as far as it will shut.
4. Lift the oven door while holding both sides. Continue to push the oven door closed and pull it away from the oven door frame.



5. Repeat steps for double oven installations.

Make Electrical Connection

⚠ WARNING



Electrical Shock Hazard

Disconnect power before servicing.

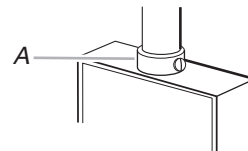
Use 12 gauge copper wire.

Electrically ground oven.

Failure to follow these instructions can result in death, fire, or electrical shock.

This oven is manufactured with a neutral (white) power supply wire and a cabinet-connected green (or bare) ground wire twisted together.

1. Disconnect power.
2. Feed the flexible conduit from the oven through the opening in the cabinet.
3. Remove junction box cover if it is present.
4. Install a UL listed or CSA approved conduit connector to the junction box.



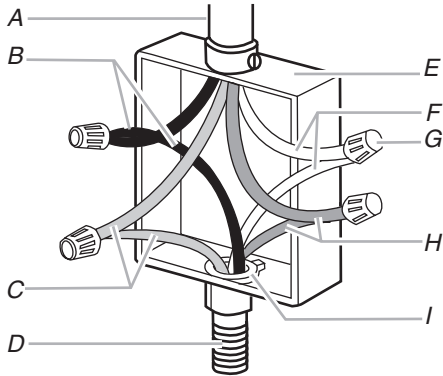
A. UL listed or CSA approved conduit connector

5. Route the flexible conduit from the oven to the junction box through a UL listed or CSA approved conduit connector.
6. Tighten screws on conduit connector.

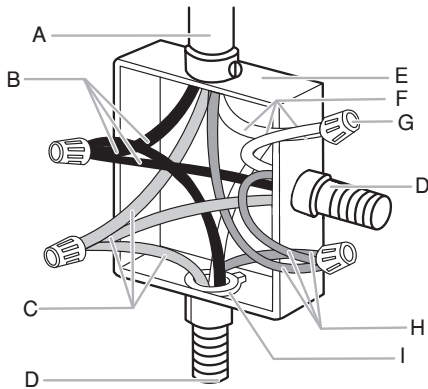
4-Wire Cable from Home Power Supply

IMPORTANT: Use the 4-wire cable from home power supply in the U.S. where local codes do not allow grounding through neutral, New Branch circuit installations (1996 NEC), mobile homes and recreational vehicles, new construction, and in Canada.

Single Oven



Double Oven



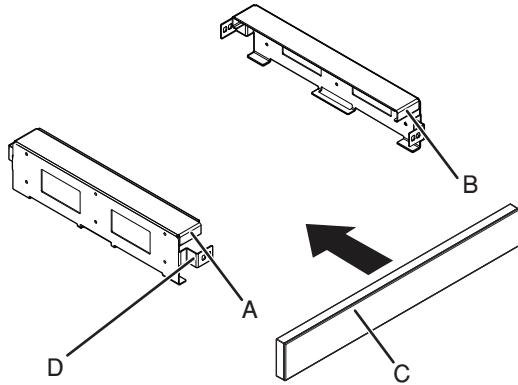
- | | |
|--------------------------------------|--|
| A. Cable from home power supply | F. White wires |
| B. Black wires | G. UL listed wire connectors |
| C. Red wires | H. Green (or bare) ground wires |
| D. 4-wire flexible conduit from oven | I. UL listed or CSA approved conduit connector |
| E. Junction box | |

1. Connect the 2 black wires (B) together using a UL listed wire connector.
2. Connect the 2 red wires (C) together using a UL listed wire connector.
3. Untwist white wire from green (or bare) ground wire coming from the oven.
4. Connect the 2 white wires (F) together using a UL listed wire connector.
5. Connect the green (or bare) ground wire (H) from the oven cable to the green (or bare) ground wire (in the junction box) using a UL listed wire connector.
6. Install junction box cover.

Single Oven Installation

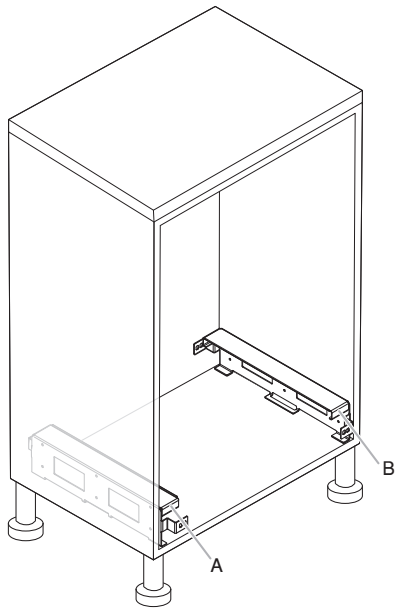
Optional Trim Kit Installation:

Trim Kit description:



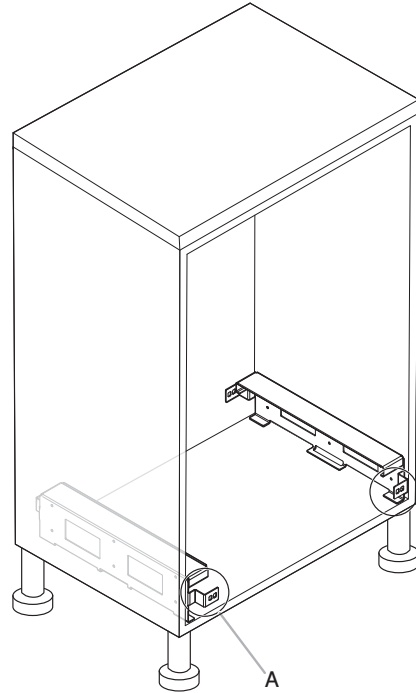
- A. Left bracket
- B. Right bracket
- C. Front aesthetic panel
- D. Front flange of the bracket

1. Place left bracket on the cabinet floor, against the left cabinet wall.
2. Place the right bracket on the cabinet floor, against the right cabinet wall.



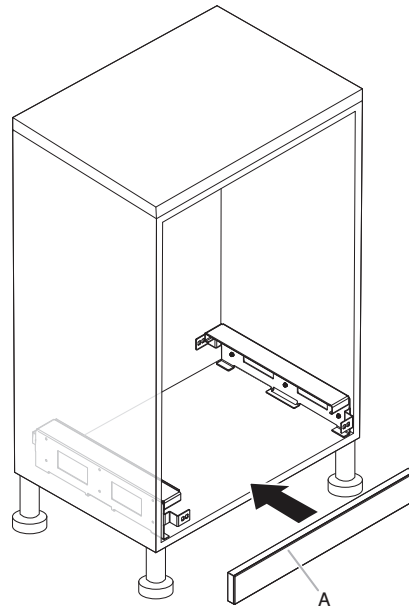
- A. Left bracket
- B. Right bracket

3. For standard installation align the front flange of both left and right brackets to the front cabinet, using a flat surface as a tool.



A. Front flange of the bracket of Single Oven

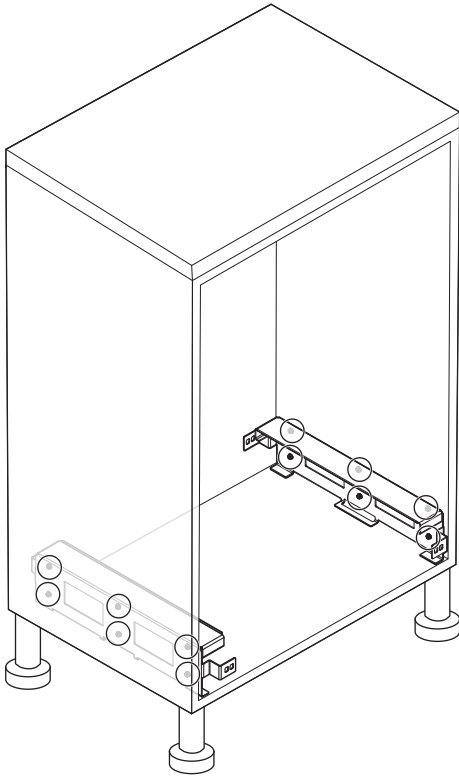
For Flush installation: align the front aesthetic panel to the cabinet and place the bracket frontal flange against the rear side of the aesthetic panel.



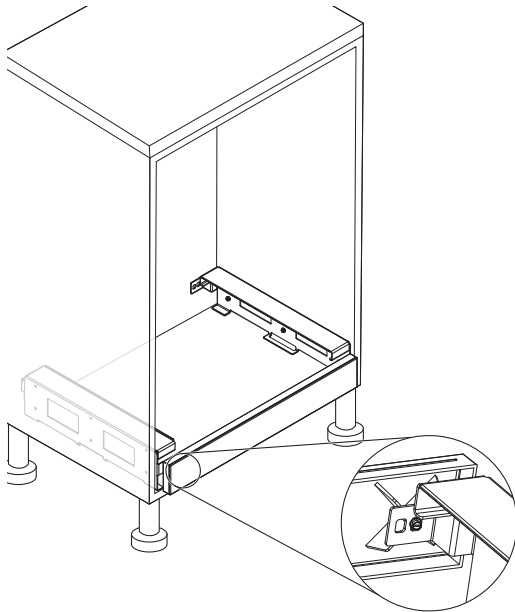
A. Front aesthetic panel

4. Be sure to fix the two brackets in a horizontal position aligned to each other.

5. Once the bracket is aligned, screw the bracket to the side wall with twelve of the 4 x 12 mm screws.



6. Screw the aesthetic panel to the front bracket flange using the remaining two 4 x 12 mm screws.



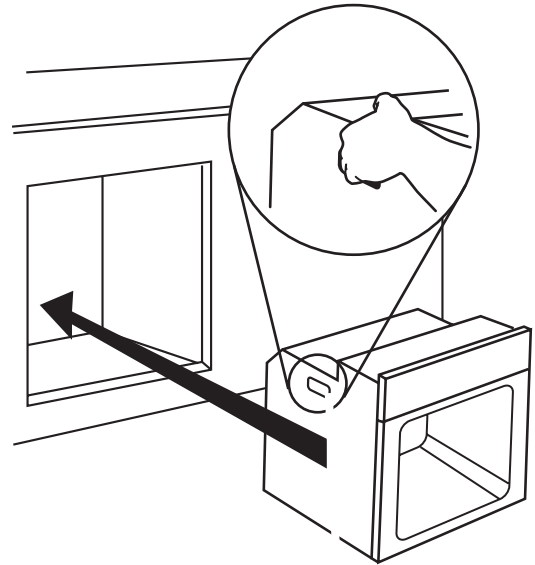
Complete Single Oven Installation

! WARNING

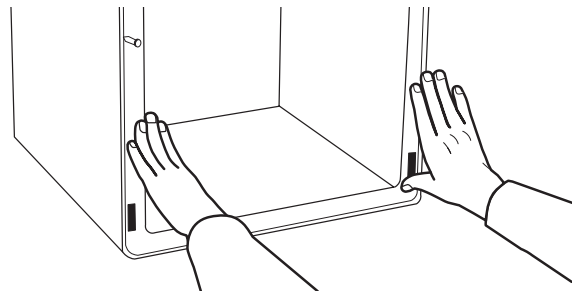
Excessive Weight Hazard

**Use two or more people to move and install oven.
Failure to do so can result in back or other injury.**

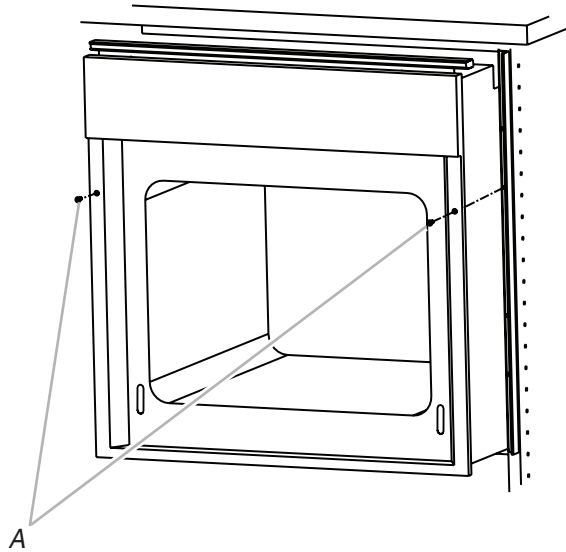
1. Using two or more people, lift the oven by the side handles located on the right and left side of the oven. Gently insert into the cabinet cutout. If using the trim kit, slide oven on top of the left and right brackets.



2. Push against seal area of front frame to push oven into cabinet.

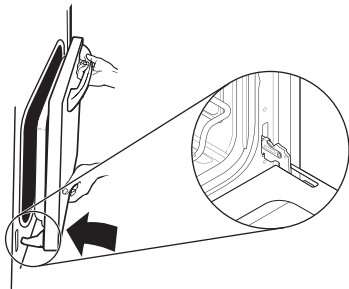


- Securely fasten oven to cabinet using the 4 x 25 mm self-tapping screws provided (1 on each side). Insert the screws through holes in mounting rails. Do not overtighten screws.



A. 4 x 25 mm self-tapping screws

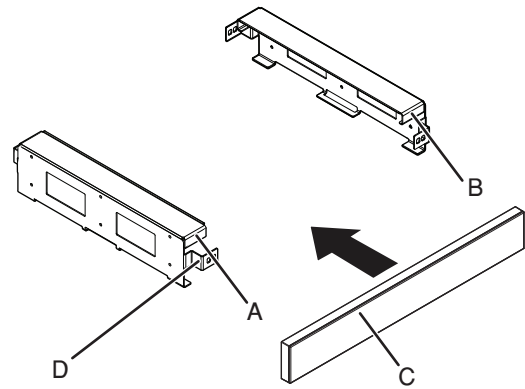
- Install the oven racks.
- Replace oven door by inserting both hanger arms into the door.



- Open the oven door. You should hear a “click” as the door is set into place.
- Move the hinge levers back to the locked position.
- Check that the door is free to open and close. If it is not, repeat the oven door removal process and installation procedures. See “Remove Oven Door” section.
- Reconnect power.
- On some models, the display panel will light briefly, and “PF” should appear in the display.
- If display panel does not light, please reference the “Assistance or Service” section of the Use and Care Guide or contact the dealer from whom you purchased your oven.

Double Oven Installation

Trim Kit description:

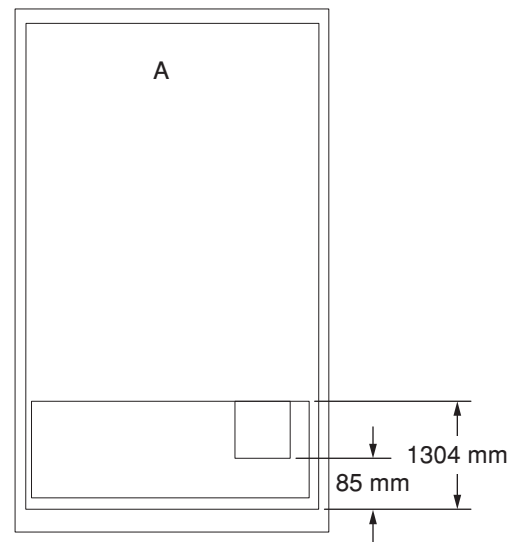


A. Left bracket
B. Right bracket

C. Front aesthetic panel
D. Front flange of the bracket

NOTES:

- These instructions refer to “Upper Oven” and “Lower Oven”. The Lower Oven is identified by a label on top of the product.
- Connection will be made for both units to existing bare wire (Red to Red, Black to Black, etc) simultaneously.
- The junction box is not a supplied part. Standard 4" x 4" box can be used.
- The products is equipped with an electrical conduit that allows to place the Junction Box in the area measured 1304 mm from the bottom of the cabinet to top of the electrical box, across the entire width of the cabinet.
- Electrician may be required to locate junction box out of the defined installation area.



A. Cabinet Opening

⚠ WARNING

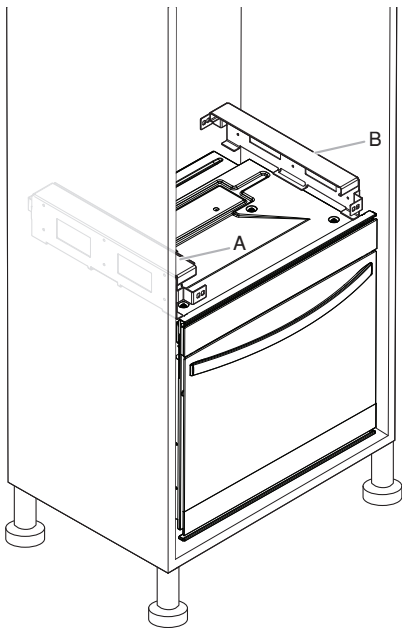
Excessive Weight Hazard

Use two or more people to move and install oven.

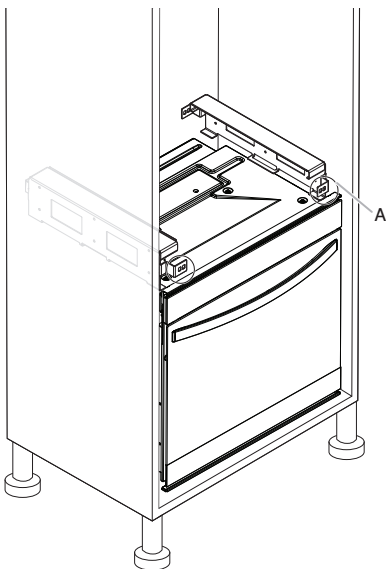
Failure to do so can result in back or other injury.

1. Using two or more people, lift the lower oven by the side handles located on the right and left side of the oven. Gently insert into the cabinet cutout.
2. Place left bracket on top of the lower oven and against the left cabinet side.
3. Place right bracket on top of the lower oven and against the right cabinet side.

NOTE: For bracket installation, the maximum interior cabinet width is 23¹¹/₁₆" (60.1 cm).

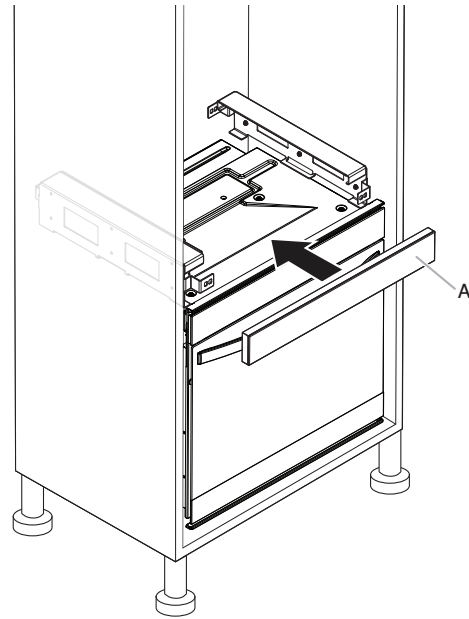


A. Left bracket
B. Right bracket



A. Front flange of the bracket of Double Oven

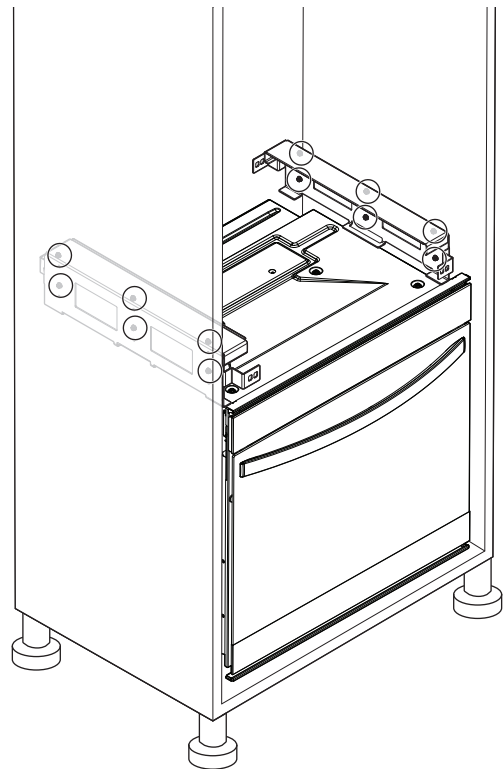
4. For standard installation, align the front flange of both left and right brackets to the front cabinet, using a flat surface.



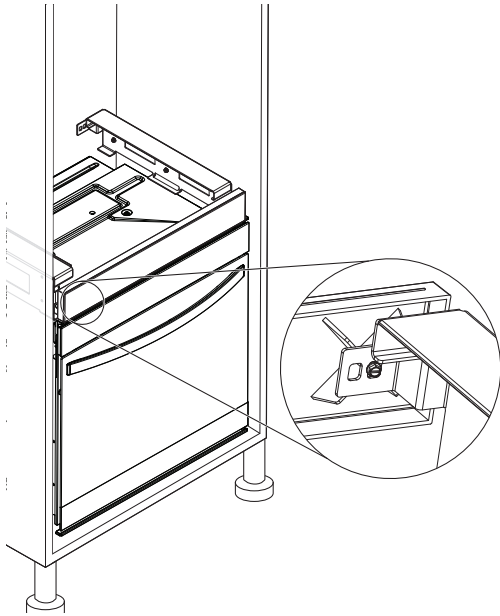
A. Front aesthetic panel

For Flush installation align the front aesthetic panel to the cabinet and place the bracket frontal flange against the rear side of the aesthetic panel.

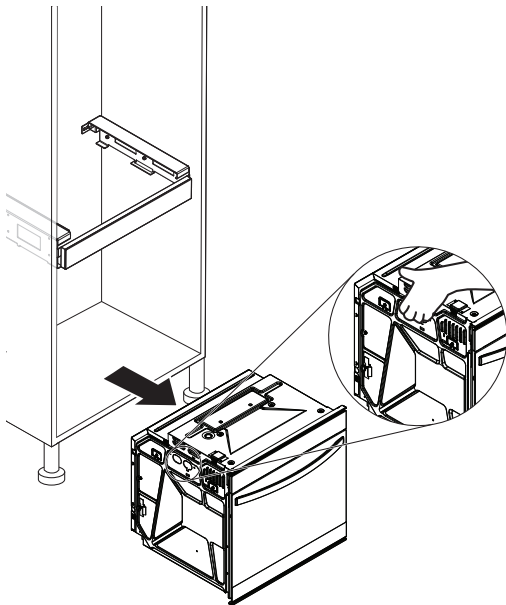
5. Assure to fix the two brackets in an horizontal position and align one each other.
6. Once the bracket is aligned, screw the bracket to the side wall with twelve of the 4 x 12 mm screws.



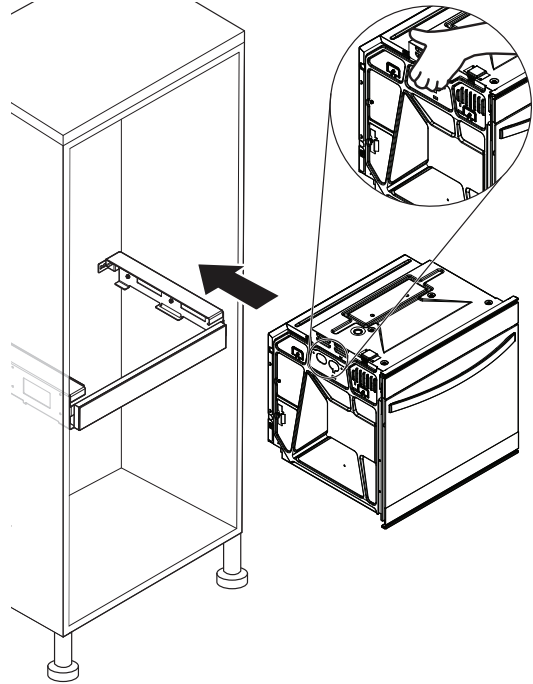
7. Screw the aesthetic panel to the front bracket flange using the remaining two 4 x 12 mm screws.



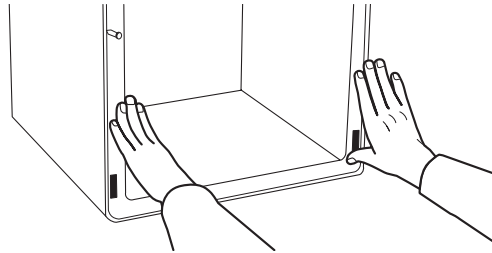
8. Using two or more people, gently remove the lower oven outside the cabinet using the handles located on the right and left side of the oven.



9. Using two or more people, lift the upper oven by the side handles located on the right and left side of the oven. Gently insert into the cabinet cutout, sliding it on top of the left and right brackets.



10. Push against seal area of front frame to push oven into cabinet.



11. Using two or more people, gently move the lower oven by the side handles located on the right and left side of the oven and place on the floor near the cabinet opening.
12. Feed conduit from Upper unit into electrical box.
13. Feed conduit from Lower unit into electrical box.
14. Go to the "Make Electrical Connection" section on page 8 and follow the instructions listed there. Proceed to the "Complete Double Oven Installation" section once electrical connections have been made.

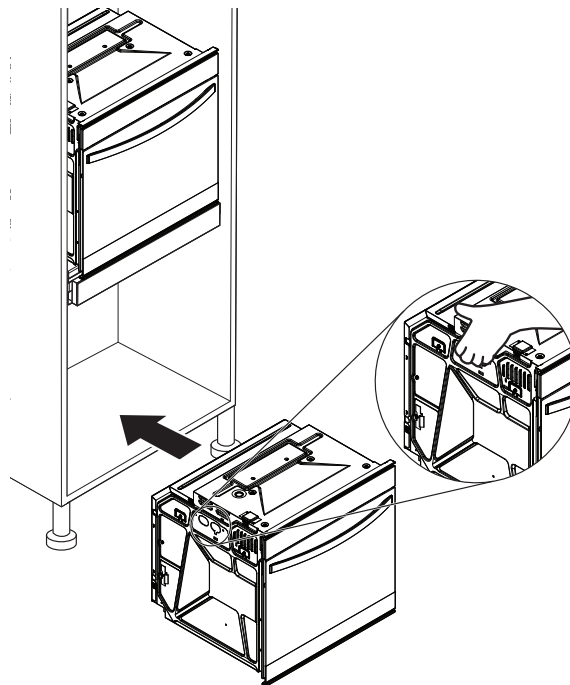
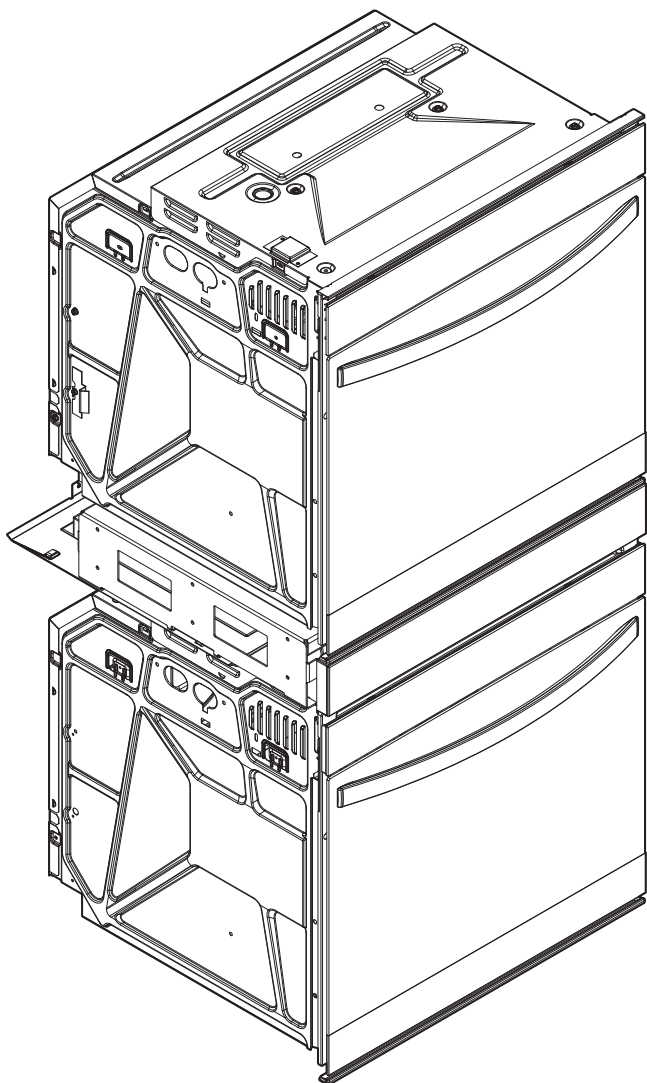
Complete Double Oven Installation

⚠ WARNING

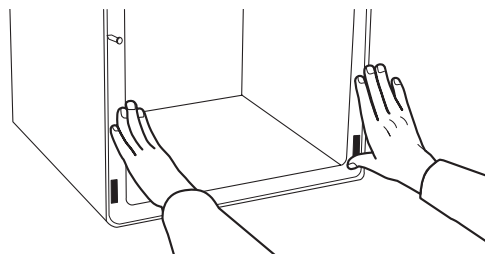
Excessive Weight Hazard

**Use two or more people to move and install oven.
Failure to do so can result in back or other injury.**

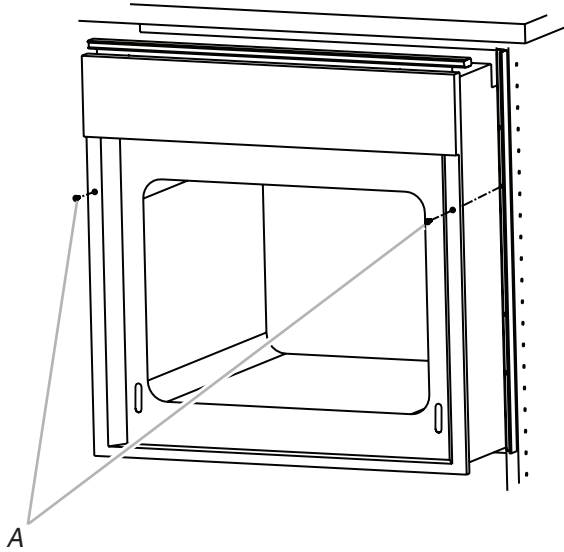
1. Using two or more people, lift the lower oven by the side handles located on the right and left side of the oven. Gently insert into the cabinet cutout.



2. Push against seal area of front frame to push oven into cabinet.

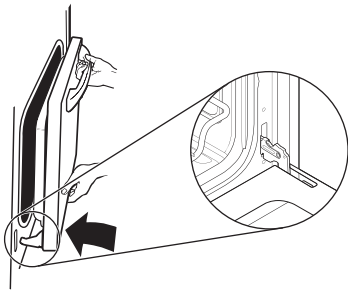


- Securely fasten oven to cabinet using the two 4 x 25 mm self-tapping screws provided. Insert the screws through holes in mounting rails. Do not overtighten screws.



A. 4 x 25 mm self-tapping screws

- Install the oven racks.
- Replace oven door by inserting both hanger arms into the door.



- Open the oven door. You should hear a “click” as the door is set into place.
- Move the hinge levers back to the locked position.
- Check that the door is free to open and close. If it is not, repeat the oven door removal process and installation procedures. See “Remove Oven Door” section.
- Reconnect power.
- On some models, the display panel will light briefly, and “PF” should appear in the display.
- If display panel does not light, please reference the “Assistance or Service” section of the Use and Care Guide or contact the dealer from whom you purchased your oven.

Final Installation Checklist

- Check that all parts are now installed. If there is an extra part, go back through the steps to see which step was skipped.
- Check that you have all of your tools.
- Dispose of/recycle all packaging materials.
- For oven use and cleaning, read the Use and Care Guide.

Check Operation

NOTE: Refer to the “Control Panel” and “Oven Functions” sections of the Use and Care Guide for steps 1 through 5.

- Press the On/Off keypad to turn the power On.
- When the oven is turned on for the first time, you will have to select the desired language and set the correct time.
- Select “Traditional” and then “Conventional.”
- Set the temperature.
- Press START.

If oven(s) does not operate, check the following:

- Household fuse is intact and tight; or circuit breaker has not tripped.
 - Electrical supply is connected.
 - See “Troubleshooting” section in the Use and Care Guide.
- When oven has been on for 5 minutes, feel for heat.
If you do not feel heat, turn off the oven and contact a qualified technician.
 - To set oven functions, refer to the Use and Care Guide.

If you need Assistance or Service:

Please reference the “Assistance or Service” section of the Use and Care Guide, or contact the dealer from whom you purchased your built-in oven.

SÉCURITÉ DU FOUR ENCASTRÉ

Votre sécurité et celle des autres est très importante.

Nous donnons de nombreux messages de sécurité importants dans ce manuel et sur votre appareil ménager. Assurez-vous de toujours lire tous les messages de sécurité et de vous y conformer.



Voici le symbole d'alerte de sécurité.

Ce symbole d'alerte de sécurité vous signale les dangers potentiels de décès et de blessures graves à vous et à d'autres.

Tous les messages de sécurité suivront le symbole d'alerte de sécurité et le mot "DANGER" ou "AVERTISSEMENT". Ces mots signifient :

⚠ DANGER

Risque possible de décès ou de blessure grave si vous ne suivez pas immédiatement les instructions.

⚠ AVERTISSEMENT

Risque possible de décès ou de blessure grave si vous ne suivez pas les instructions.

Tous les messages de sécurité vous diront quel est le danger potentiel et vous disent comment réduire le risque de blessure et ce qui peut se produire en cas de non-respect des instructions.

EXIGENCES D'INSTALLATION

Outils et pièces

Rassembler les outils et pièces nécessaires avant d'entreprendre l'installation. Lire et observer les instructions fournies avec chacun des outils de la liste suivante.

Outils nécessaires

- Tournevis à tête cruciforme
- Ruban à mesurer
- Perceuse manuelle ou électrique (pour installation dans une armoire)
- Foret de 1 po (2,5 cm) (pour installation dans une armoire)
- Niveau

Pièces nécessaires

- Connecteur de conduit (homologation UL ou CSA)
- Capuchons de connexion (homologation UL)

Pièces fournies

Pièces de four simple fournies

- Deux vis autotaraudantes de 4 x 25 mm
- Deux supports (sur certains modèles)
- 14 vis 4 x 12 mm (sur certains modèles)
- 14 rondelles de 15 mm de diamètre (sur certains modèles)
- 1 panneau esthétique (métallique ou verre selon le modèle)

Pièces de four double fournies

- Quatre vis autotaraudantes de 4 x 25 mm
- Deux supports
- 14 vis de 4 x 12 mm
- 14 rondelles de 15 mm de diamètre
- 1 panneau esthétique (métallique ou verre selon le modèle)

Consulter les codes locaux. Vérifier l'alimentation électrique existante. Consulter les « Spécifications électriques ».

Il est recommandé de faire réaliser tous les raccordements électriques par un électricien qualifié agréé.

Exigences d'emplacement

IMPORTANT : Observer les dispositions de tous les codes et règlements en vigueur.

- Les dimensions d'ouverture de l'armoire indiquées doivent être utilisées. Ces dimensions tiennent compte des dégagements de séparation nécessaires pour le four.
- L'espace d'installation dans un encastrement doit permettre la formation d'une enceinte complète autour de la partie encastrée du four.
- Une source d'électricité avec liaison à la terre est nécessaire. Voir la section « Spécifications électriques ».
- Le boîtier de raccordement doit être situé à moins de 3 po (7,6 cm) au-dessous de la surface de support lorsque le four est installé dans une armoire. Un trou d'un diamètre de 1 po (2,5 cm) ou plus doit avoir été percé dans l'angle arrière gauche ou droit de la surface de support pour le passage le câble d'alimentation de l'appareil jusqu'au boîtier de connexion.

REMARQUE : Pour l'installation sous un comptoir, on recommande que le boîtier de connexion soit situé dans l'armoire adjacente, à droite ou à gauche. Si l'on installe le boîtier de connexion sur le mur arrière, derrière le four, le boîtier de connexion doit être encastré et placé dans l'angle inférieur ou supérieur de l'armoire, à gauche ou à droite, afin que l'on puisse introduire le four dans l'ouverture de l'armoire.

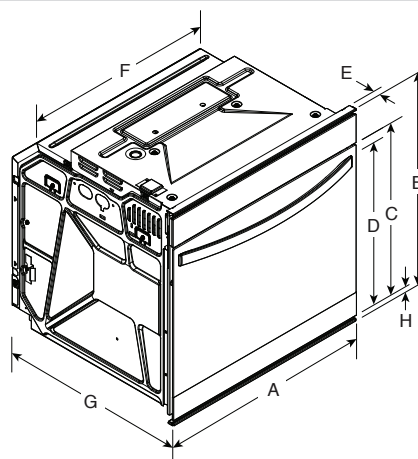
- La surface de support du four doit être robuste, horizontale et en affleurement avec le bas de l'ouverture découpée dans l'armoire. Le plancher doit pouvoir soutenir le poids d'un four de 140 lb (63,5) ou le poids d'un four double de 245 lb (111,1 kg).

IMPORTANT : Pour éviter d'endommager les armoires, consulter le constructeur de la maison ou le fabricant des armoires pour déterminer si les matériaux utilisés peuvent subir un changement de couleur, une déstratification ou d'autres dommages. Ce four a été conçu conformément aux exigences des normes UL et CSA International et respecte les températures maximales permises de 194 °F (90 °C) pour les armoires en bois.

Installation sous un plan de travail (avec table de cuisson installée au-dessus) :

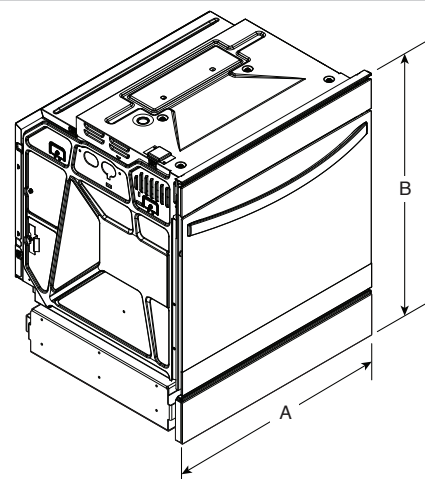
Les fours homologués pour ce type d'installation comportent une étiquette d'homologation placée sur le dessus du four. Voir les instructions d'installation sous le plan de travail pour connaître les dimensions de l'ouverture à réaliser et les combinaisons approuvées four/table de cuisson (document distinct).

Dimensions du produit



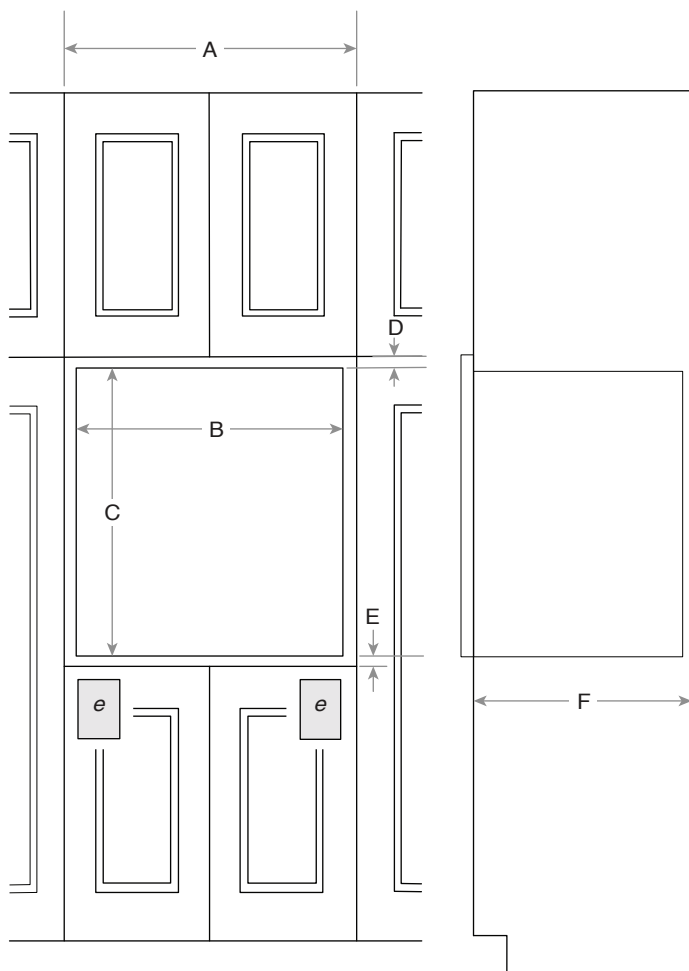
- A. 23 ⁷/₁₆ po (59,5 cm)
- B. 23 ⁷/₁₆ po (59,5 cm)
- C. 18 ¹⁵/₁₆ po (48,1 cm)
- D. 18 po (45,7 cm)
- E. 7/8 po (2,2 cm)
- F. 21 ⁷/₈ po (55,6 cm)
- G. 22 ³/₈ po (56,8 cm)
- H. 5/8 po (1,6 cm)

Four simple avec trousse de garniture



- A. Largeur totale : 23 ⁷/₁₆ po (59,5 cm)
- B. Hauteur totale : 27 ¹⁵/₁₆ po (71 cm)

DIMENSIONS D'OUVERTURE ET DE DÉGAGEMENT

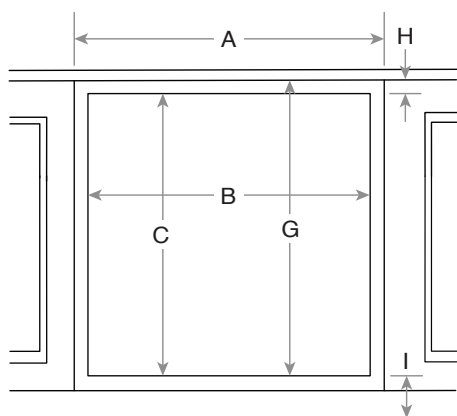


VUE DE FACE

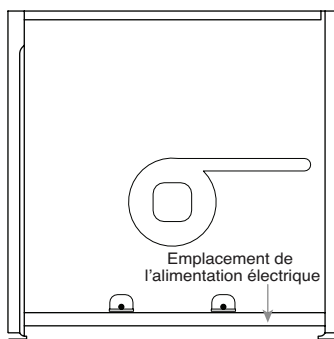
VUE LATÉRALE

		po	cm
A	Largeur minimale de l'armoire	24	61
B	Largeur de l'ouverture (minimum)	22 ⁵ / ₈	57,5
C	Hauteur de l'ouverture sans garniture	22 ¹⁵ / ₁₆	58,2
	Hauteur de l'ouverture avec garniture	27 ³ / ₄	70,5
D	Distance minimale du haut de l'ouverture jusqu'au bas de la porte de l'armoire supérieure	1/4	0,65
E	Distance minimale du bas de l'ouverture jusqu'au haut de la porte de l'armoire inférieure	1/2	1,2
F	Profondeur minimale de l'ouverture	23 ¹ / ₄	59,1
G	Distance minimale de la face inférieure du comptoir jusqu'au bas de l'ouverture	31 ³ / ₈	79,7
H	Distance minimale du haut de l'ouverture jusqu'au-dessous du comptoir	2 ⁵ / ₈	6,7
I	Distance minimale du fond de l'ouverture au sol	3 ⁷ / ₈	9,8
e	Emplacement recommandé pour la boîte de jonction		

REMARQUE : Les vraies dimensions sont en mm ou en cm et converties en pouces.



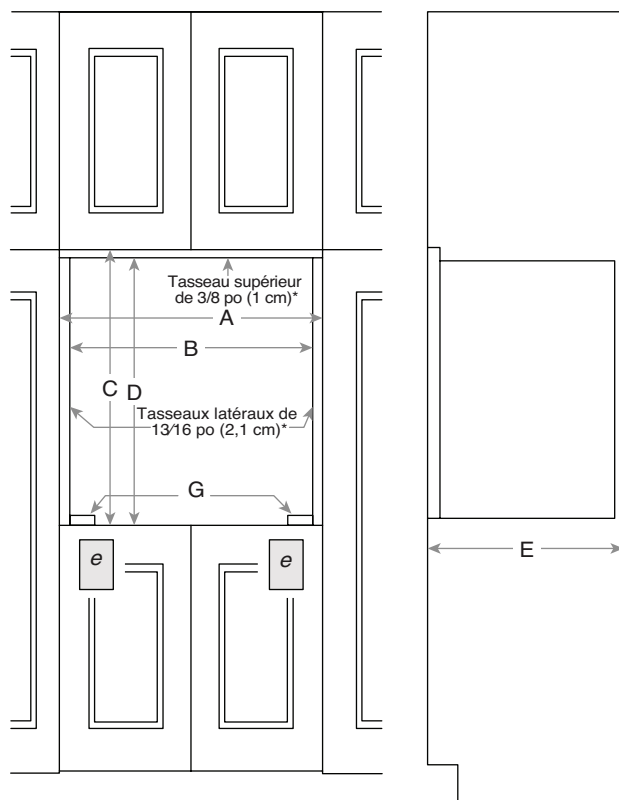
INSTALLATION SOUS COMPTOIR



VUE ARRIÈRE

Four simple – Installation en affleurement

DIMENSIONS D'OUVERTURE ET DE DÉGAGEMENT

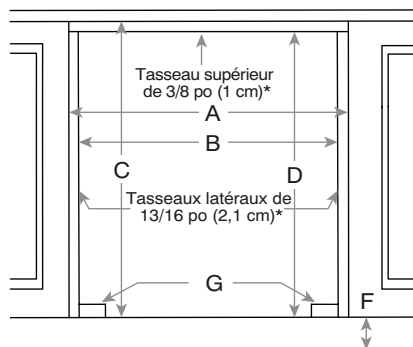


VUE DE FACE

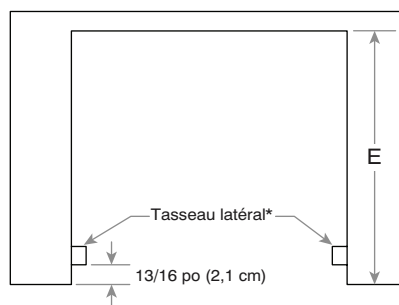
VUE LATÉRALE

		po	cm
A	Largeur minimale de l'ouverture intégrée en affleurement	23 ¹¹ / ₁₆	60,1
B	Largeur minimale de l'ouverture	22 ⁵ / ₈	57,5
C	Hauteur minimale de l'ouverture d'encastrement affleurant sans trousse de garniture	23 ³ / ₄	60,3
	Hauteur minimale de l'ouverture d'encastrement affleurant avec trousse de garniture	28 ¹ / ₄	71,8
D	Hauteur minimale d'ouverture sans garniture	23 ³ / ₈	59,3
	Hauteur minimale d'ouverture avec garniture	27 ⁷ / ₈	70,8
E	Profondeur minimale de l'ouverture	23 ¹ / ₄	59,1
F	Distance minimale du bas de l'ouverture jusqu'au sol pour une installation sous comptoir	4 ¹ / ₁₆	10,3
G	Cale d'espacement (profondeur complète de l'ouverture) Hauteur X largeur 3/8 po x 2 po (1 cm x 5,1 cm)		
e	Emplacement recommandé pour la boîte de jonction		

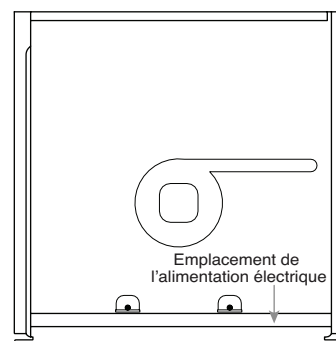
REMARQUE : Les vraies dimensions sont en mm ou en cm et converties en pouces.



INSTALLATION SOUS COMPTOIR



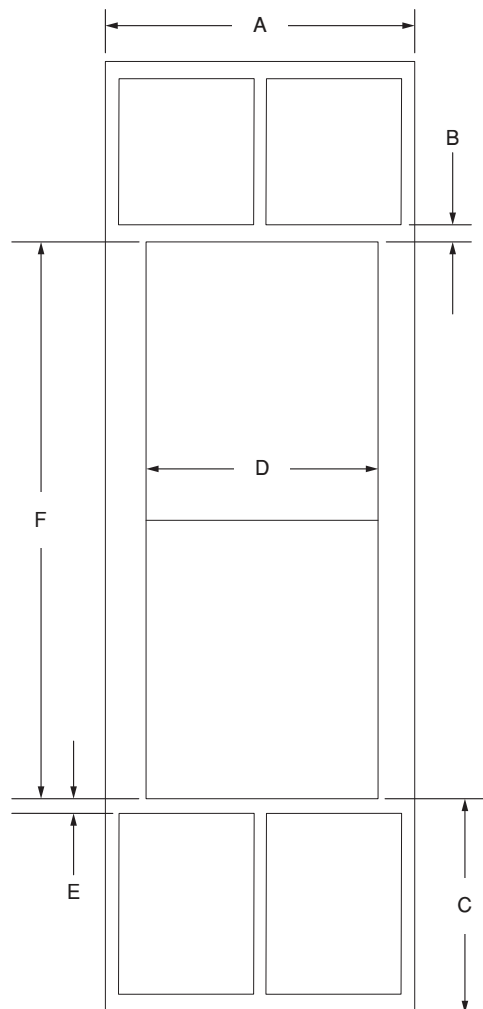
VUE DU DESSUS



VUE ARRIÈRE

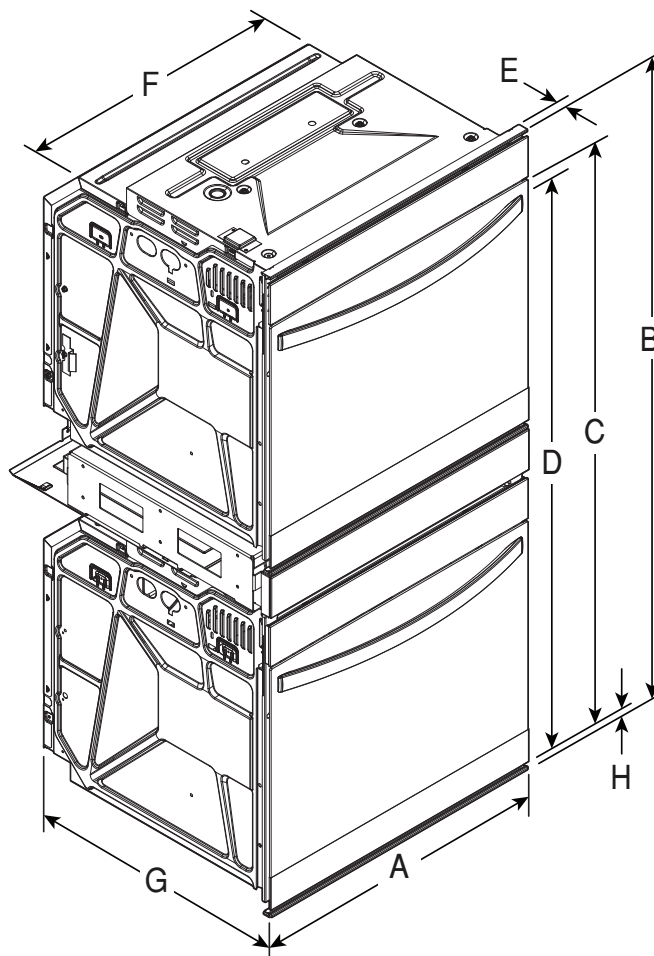
**Dimensions de l'armoire du four double –
Installation traditionnelle**

Four double installé dans une armoire



- A. Largeur minimum de l'armoire : 24 po (61 cm)
- B. Du sommet de la découpe au bas de la porte de l'armoire supérieure : 1 po (2,5 cm)
- C. Du fond de l'ouverture au plancher : 14 ³/₄ po (37,5 cm)
- D. Largeur de l'ouverture : 22 ⁵/₈ po (57,5 mm)
- E. Du fond de l'ouverture au-dessus de la porte de l'armoire : 1 ¹/₂ po (3,8 cm) min.
- F. Hauteur minimale de l'ouverture : 49 ³/₄ po (126,4 cm)

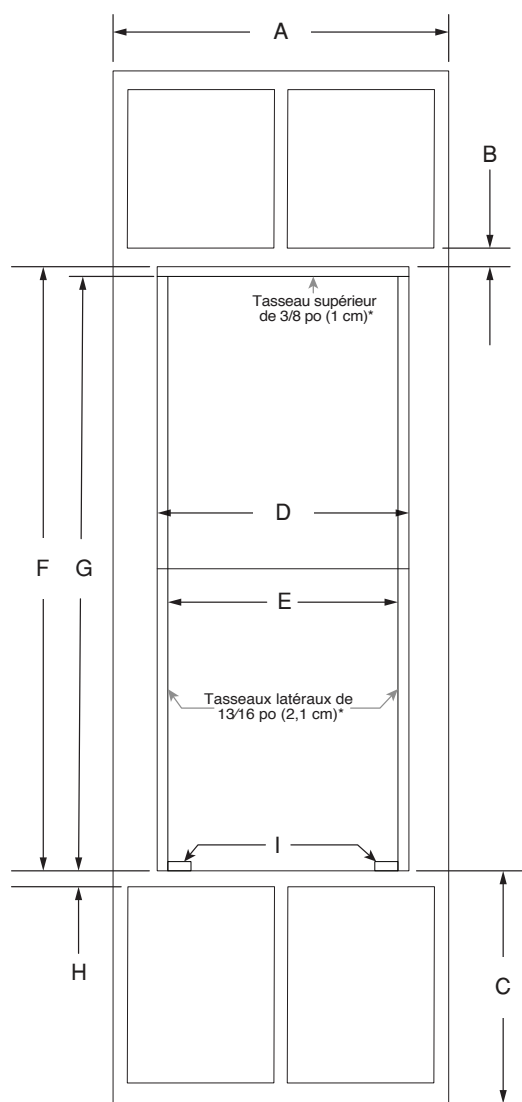
Four double avec trousse de garniture



- A. 23 ⁷/₁₆ po (59,5 cm)
- B. 50 ¹/₄ po (127,7 cm)
- C. 45 ³/₄ po (116,3 cm)
- D. 44 ¹³/₁₆ po (113,9 cm)
- E. 7/8 po (2,2 cm)
- F. 21 ⁷/₈ po (55,6 cm)
- G. 22 ³/₈ po (56,8 cm)
- H. 5/8 po (1,6 cm)

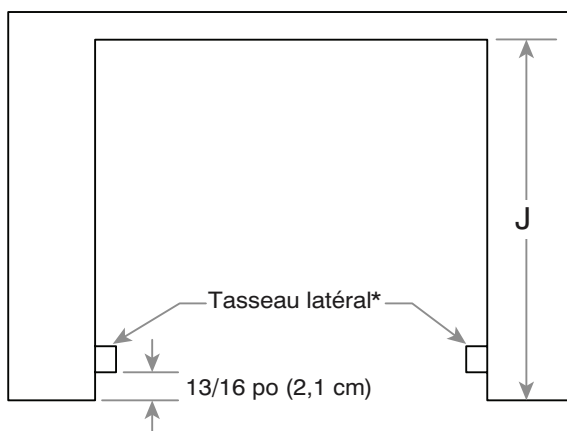
Dimensions de l'armoire du four double – Installation en affleurement

Four double installé dans une armoire



VUE DE FACE

- A. Largeur minimale de l'armoire : 25 ¹/₁₆ po (63,6 cm)
- B. Du sommet de la découpe au bas de la porte de l'armoire supérieure : 1 po (2,5 cm)
- C. Du fond de l'ouverture au plancher : 14 ³/₄ po (37,5 cm)
- D. Largeur de l'ouverture d'encastrement : 23 ¹¹/₁₆ po (60,1 cm)
- E. Largeur minimale de l'ouverture : 22 ⁵/₈ po (57,5 cm)
- F. Hauteur minimale de l'ouverture : 50 ⁷/₁₆ po (128,1 cm)
- G. 50 ¹/₁₆ po (127,1 cm)
- H. Du fond de l'ouverture au-dessus de la porte de l'armoire : 1 ¹/₂ po (3,8 cm)
- I. Cale d'espacement (toute la largeur de l'ouverture)
Hauteur x Largeur :
3/8 po x 2 ¹/₆₄ po (1 cm x 5,1 cm)
- J. Profondeur minimale de l'ouverture 23 ¹/₄ po (59,1 mm)



VUE DU DESSUS

Spécifications électriques

Si on utilise un conducteur distinct de liaison à la terre et lorsque les codes le permettent, il est recommandé qu'un électricien qualifié vérifie que la liaison à la terre et le calibre des fils sont conformes aux codes locaux.

En cas de doute quant à la qualité de la liaison à la terre du four, consulter un électricien qualifié.

Ce four doit être raccordé à un système permanent, métallique de câblage relié à la terre.

S'assurer que le raccordement électrique est adéquat et conforme au code national de l'électricité, ANSI/NFPA 70 – édition la plus récente ou CSA Standards C22.1-94, Code canadien des installations électriques, partie 1 et C22.2 No O-M91 (édition la plus récente) et de tous les codes et règlements en vigueur.

Pour obtenir un exemplaire des normes des codes ci-dessus, contacter :

National Fire Protection Association
1 Batterymarch Park Quincy,
MA 02169-7471
CSA International
8501 East Pleasant Valley Road
Cleveland, OH 44131-5575

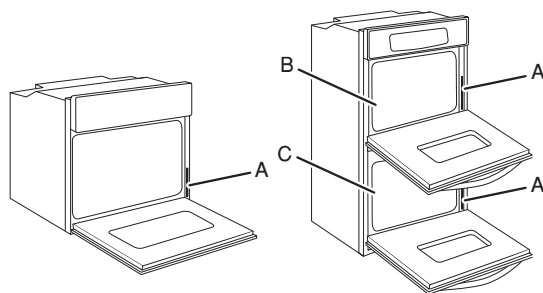
Raccordement électrique

Pour installer le four correctement, il faut établir le type de raccords électriques que l'on utilisera et suivre les instructions indiquées ici.

- Les fours doivent être raccordés à la bonne fréquence de tension électrique selon le tableau suivant –

Type de Four	Série	Tension	Fréquence	Cote
Simple	WOS52ES4M*	208 V	60 Hz	3,2 kW
	YWOS52ES4M*	240 V	60 Hz	4,2 kW
Double	WOD52ES4M*	208 V	60 Hz	6,3 kW
		240 V	60 Hz	8,4 kW

- Les informations sur la cote de chaque four peuvent aussi être trouvées sur la plaque signalétique de modèle/numéro de série. La plaque signalétique se trouve sur la surface verticale à droite du châssis du four. Voir l'illustration suivante.



Four simple

Four double

A. Plaque signalétique du numéro de modèle et de série

A. Plaque signalétique du numéro de modèle et de série

B. Four supérieur

C. Four inférieur

REMARQUE : Les informations sur la plaque signalétique ne couvrent que les fours simples. Pour les configurations à four double, consulter les informations du tableau précédent.

- Un modèle à 208/240 V de 4,2 kW ou moins doit être alimenté par un circuit indépendant de 15 à 20 A. Un modèle à 208/240 V de 6,3 kW ou plus doit être alimenté par un circuit indépendant de 40 A.
- L'emploi d'un disjoncteur est recommandé.
- Raccorder l'appareil directement au tableau de distribution (fusible ou disjoncteur) par un câble à conducteur de cuivre à gaine flexible à blindage métallique ou à gaine non métallique (avec conducteur de liaison à la terre). Voir la section « Raccordement électrique ».
- Un conduit flexible homologué UL ou CSA depuis le four doit être raccordé directement au boîtier de connexion.
- Installer un fusible aux deux extrémités de la ligne.
- Ne pas couper le conduit. La longueur du conduit fournie est destinée à faciliter l'entretien du four.
- L'installateur doit fournir un connecteur de conduit (homologation UL ou CSA).
- Si le domicile possède un câblage en aluminium, suivre la procédure ci-dessous :

Connecter le câblage en aluminium en utilisant des connecteurs ou des outils spécialement conçus et homologués UL pour raccorder le cuivre à l'aluminium.

Suivre la procédure recommandée par le fabricant de connecteurs électriques. Les raccordements aluminium/cuivre doivent satisfaire aux prescriptions des codes locaux et de l'industrie, et être conformes aux pratiques de câblage reconnues.

INSTRUCTIONS D'INSTALLATION

Préparer le four encastré

1. Choisir l'emplacement final pour l'installation du four. Éviter de percer ou de sectionner le câblage du domicile pendant l'installation.

⚠ AVERTISSEMENT

Risque du poids excessif

Utiliser deux ou plus de personnes pour déplacer et installer le four.

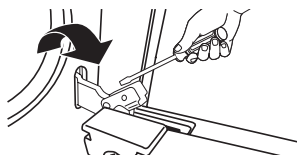
Le non-respect de cette instruction peut causer une blessure au dos ou d'autre blessure.

2. Pour éviter d'endommager le plancher, placer le four sur une feuille de carton avant l'installation. Pour soulever l'appareil, ne pas prendre prise sur la poignée ou sur une autre partie de l'avant du châssis.
3. Enlever les matériaux d'emballage et les rubans adhésifs du four.
4. Enlever le matériel à l'intérieur du sachet de documentation.
5. Retirer et mettre de côté les grilles, la garniture inférieure du four et les autres pièces qui se trouvent à l'intérieur du four.
6. Approcher le four et la feuille de carton de l'emplacement final du four.
7. Retirer la porte du four.

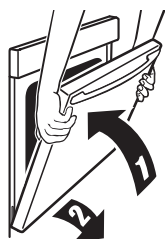
Enlever la ou les portes du four

IMPORTANT : Employer les deux mains pour retirer les portes du four.

1. Ouvrir la porte du four complètement.
2. Relever le loquet de charnière de chaque côté.



3. Fermer la porte du four aussi loin que possible.
4. Soulever la porte du four en la retenant de chaque côté. Continuer de maintenir la porte du four fermée et la dégager du châssis de la porte du four.



5. Répéter les étapes pour l'installation du four double.

Raccordement électrique

⚠ AVERTISSEMENT



Risque de choc électrique

Déconnecter la source de courant électrique avant d'entreprendre le travail.

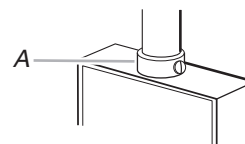
Utiliser du fil en cuivre de calibre 12.

Relier le four à la terre.

Le non-respect de ces instructions peut causer un décès, un incendie ou un choc électrique.

Le câblage d'alimentation de ce four comporte un conducteur neutre (blanc) et un conducteur vert (ou nu) de liaison à la terre connecté à la caisse; ces deux conducteurs sont torsadés.

1. Débrancher l'alimentation.
2. Placer le conduit de câble flexible depuis le four jusqu'à l'espace d'installation dans l'armoire.
3. Le cas échéant, enlever le couvercle du boîtier de connexion.
4. Installer un connecteur de conduit (homologation UL ou CSA) sur le boîtier de connexion.

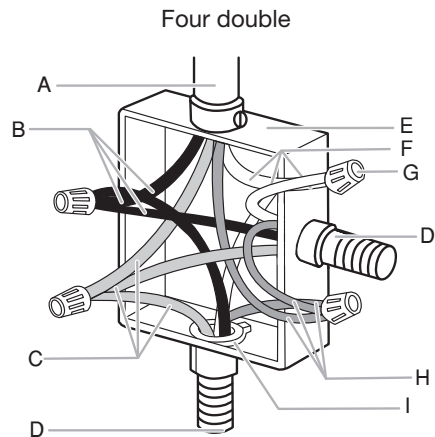
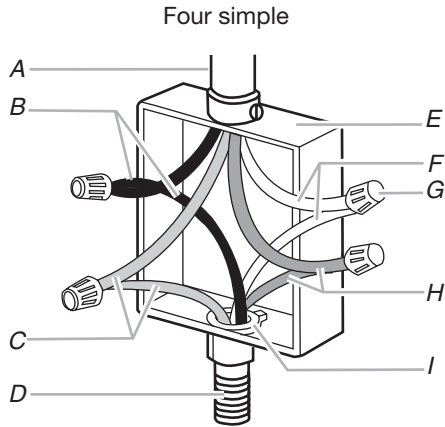


A. Connecteur de conduit (homologation UL ou CSA)

5. Acheminer le conduit de câble flexible depuis le four jusqu'au boîtier de connexion – utiliser un connecteur de conduit (homologation UL ou CSA).
6. Serrer les vis sur le connecteur de conduit.

Câble à 4 conducteurs depuis l'alimentation électrique du domicile

IMPORTANT : Utiliser le câble à 4 conducteurs provenant de l'alimentation électrique du domicile aux États-Unis lorsque les codes ne permettent pas la mise à la terre par l'intermédiaire du conducteur neutre, en cas de nouvelle installation avec alimentation par un circuit secondaire (1996 NEC), dans les résidences mobiles et les véhicules récréatifs, dans une nouvelle construction et au Canada.



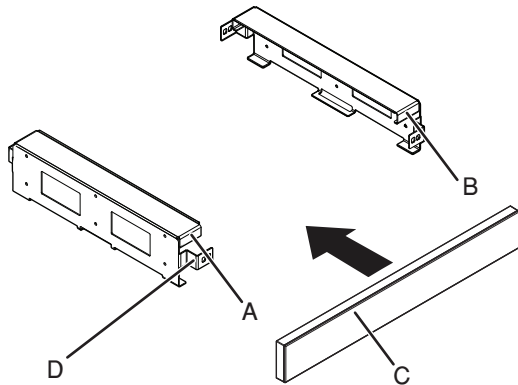
- | | |
|---|---|
| A. Câble depuis l'alimentation électrique du domicile | F. Conducteurs blancs |
| B. Conducteurs noirs | G. Capuchons de connexion (homologation UL) |
| C. Conducteurs rouges | H. Conducteurs verts (ou nus) de liaison à la terre |
| D. Câble flexible à 4 conducteurs depuis le four | I. Connecteur de conduit (homologation UL ou CSA) |
| E. Boîtier de connexion | |

1. Connecter ensemble les 2 conducteurs noirs (B) avec un capuchon de connexion (homologation UL).
2. Connecter ensemble les 2 conducteurs rouges (C) avec un capuchon de connexion (homologation UL).
3. Détorsader le conducteur blanc du conducteur vert (ou nu) de liaison à la terre provenant du four.
4. Connecter ensemble les 2 conducteurs blancs (F) avec un capuchon de connexion (homologation UL).
5. Connecter le conducteur vert (ou nu) de liaison à la terre (H) du câble du four au conducteur vert (ou nu) de liaison à la terre dans le boîtier de connexion – utiliser un capuchon de connexion (homologation UL).
6. Installer le couvercle du boîtier de connexion.

Installation du four simple

Installation de la garniture en option :

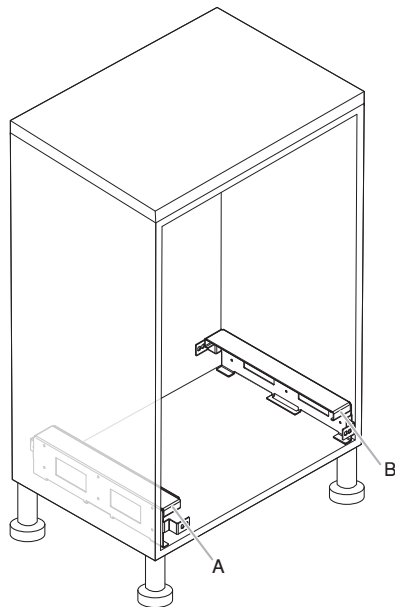
Description de la trousse de garniture :



A. Support gauche
B. Support droit

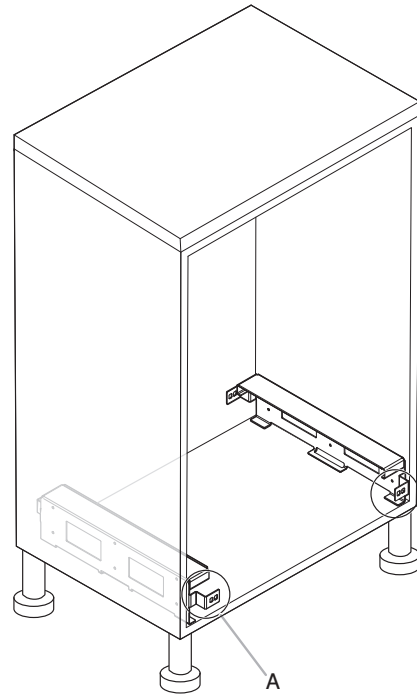
C. Panneau avant esthétique
D. Bride avant du support

1. Placer le support gauche sur le plancher de l'armoire, contre la paroi gauche de l'armoire.
2. Placer le support droit sur le plancher de l'armoire, contre la paroi droite de l'armoire.



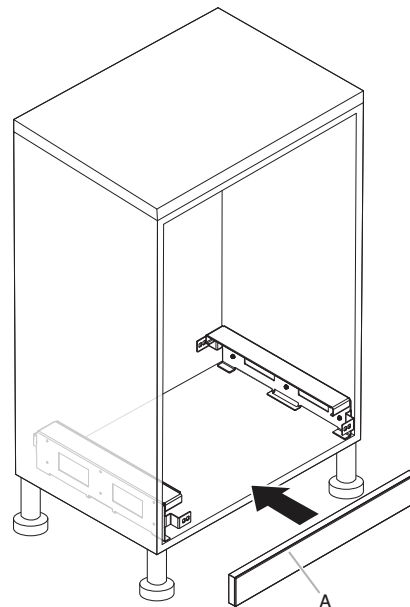
A. Support gauche
B. Support droit

3. Pour une installation standard, aligner la bride avant des supports gauche et droit sur l'armoire avant, en utilisant une surface plane comme outil.



A. Bride avant du support d'un four simple

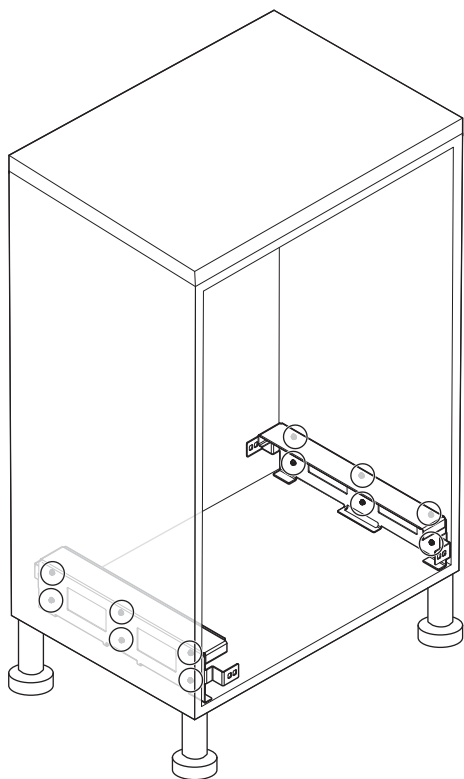
Pour une installation affleurante : aligner le panneau esthétique avant sur l'armoire et placer la bride frontale du support contre la face arrière du panneau esthétique.



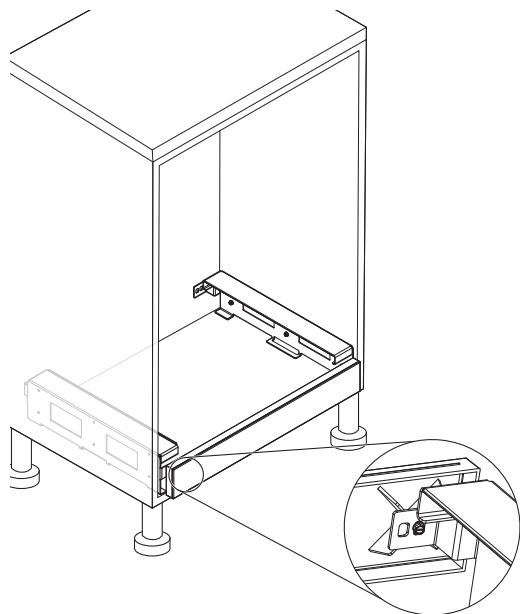
A. Panneau avant esthétique

4. S'assurer de fixer les deux supports en position horizontale alignés l'un par rapport à l'autre.

5. Une fois le support aligné, visser le support sur le mur latéral avec douze des vis de 4 x 12 mm.



6. Visser le panneau esthétique à la bride du support avant au moyen des deux vis 4 x 12 mm restantes.



Installation complète du four simple

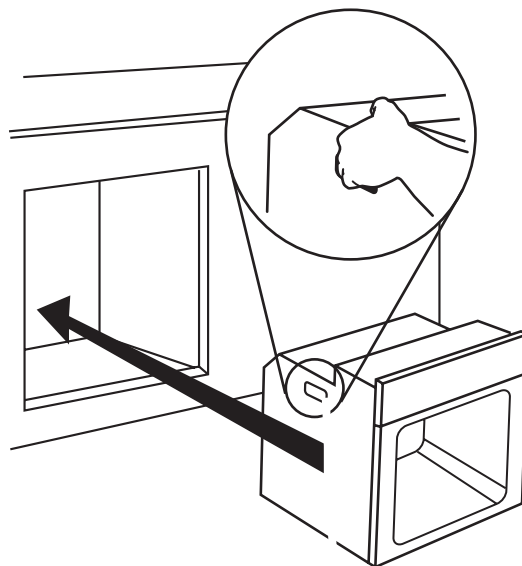
⚠ AVERTISSEMENT

Risque du poids excessif

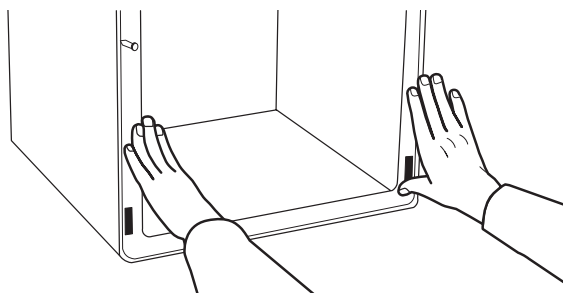
Utiliser deux ou plus de personnes pour déplacer et installer le four.

Le non-respect de cette instruction peut causer une blessure au dos ou d'autre blessure.

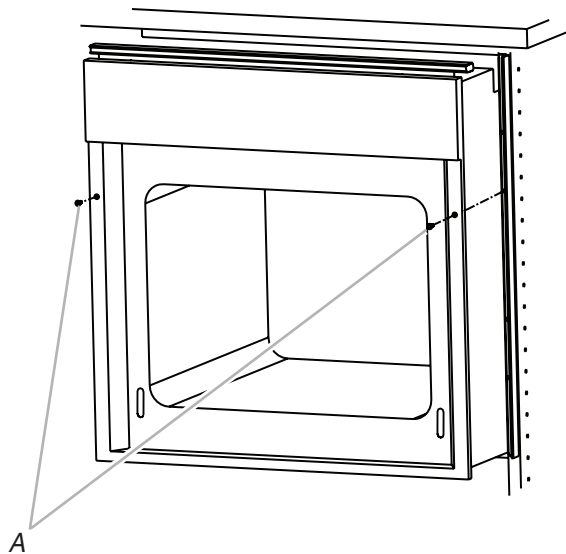
1. À l'aide de deux personnes ou plus, soulever le four par les poignées latérales situées de chaque côté du four. Insérer délicatement le four dans l'ouverture de l'armoire. Si la trousse de garniture est utilisée, faire glisser le four sur les supports gauche et droit.



2. Pousser contre la zone du joint de l'avant du châssis pour pousser le four dans l'armoire.

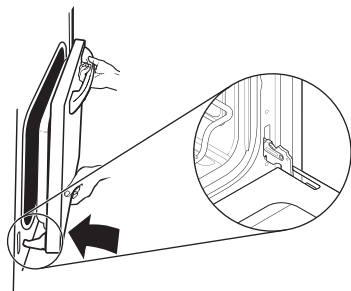


3. Fixer solidement le four à l'armoire au moyen des vis autotaraudeuses de 4 x 25 mm fournies (1 de chaque côté). Insérer les vis à travers les trous des glissières de montage. Ne pas serrer excessivement les vis.



A. Quatre vis autotaraudantes de 4 x 25 mm

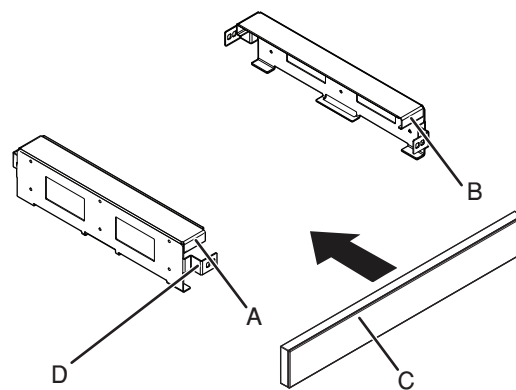
4. Installer les grilles du four.
5. Réinstaller la porte du four en insérant les deux bras de suspension dans la porte.



6. Ouvrir la porte du four. On devrait entendre un déclic lors de la mise en place de la porte.
7. Replacer les leviers de charnière à la position verrouillée.
8. Vérifier que la porte s'ouvre et se ferme facilement. En cas d'impossibilité d'ouverture ou de fermeture parfaite de la porte, répéter les procédures de retrait et d'installation de la porte. Voir la section « Enlever la porte du four ».
9. Rebrancher l'alimentation.
10. Sur certains modèles, le tableau d'affichage s'allume brièvement et « PF » devrait apparaître sur l'affichage.
11. Si le tableau d'affichage ne s'allume pas, consulter la section « Assistance ou service » du guide d'utilisation et d'entretien ou contacter le marchand qui vous a vendu le four.

Installation du four double

Description de la trousse de garniture :

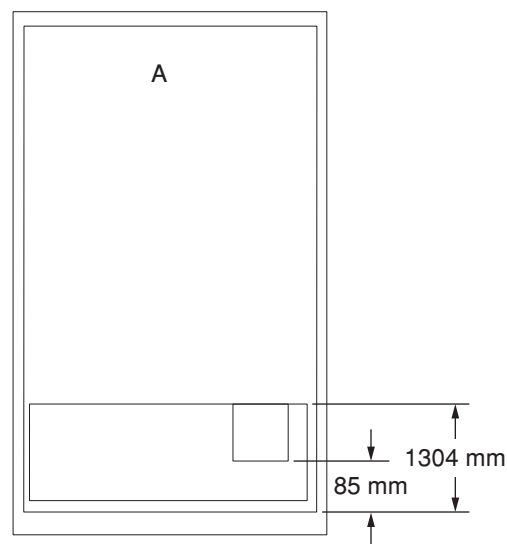


A. Support gauche
B. Support droit

C. Panneau avant esthétique
D. Bride avant du support

REMARQUES :

- Ces instructions se réfèrent au « Four supérieur » et au « Four inférieur ». Le four inférieur est identifié par une étiquette sur le dessus du produit.
- La connexion sera établie en même temps pour les deux unités au conducteur nu existant (rouge à rouge, noir à noir, etc.).
- La boîte de jonction n'est pas une pièce fournie. Une boîte standard de 4 po x 4 po peut être utilisée.
- Les produits sont équipés d'un conduit électrique qui permet de placer la boîte de jonction dans la zone mesurée de 1304 mm du bas de l'armoire au haut de la boîte électrique, sur toute la largeur de l'armoire.
- Un électricien peut être tenu de localiser la boîte de jonction en dehors de la zone d'installation définie.



A. Ouverture de l'armoire

AVERTISSEMENT

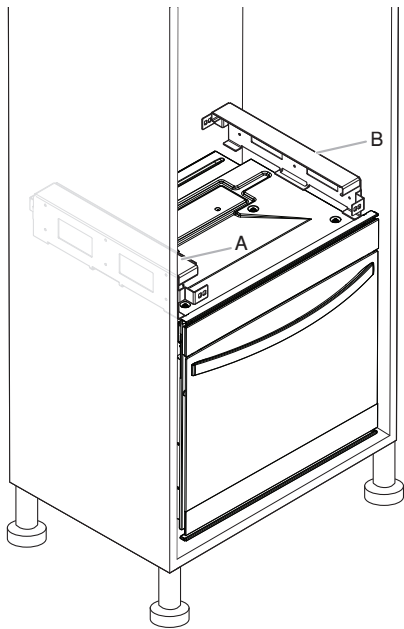
Risque du poids excessif

Utiliser deux ou plus de personnes pour déplacer et installer le four.

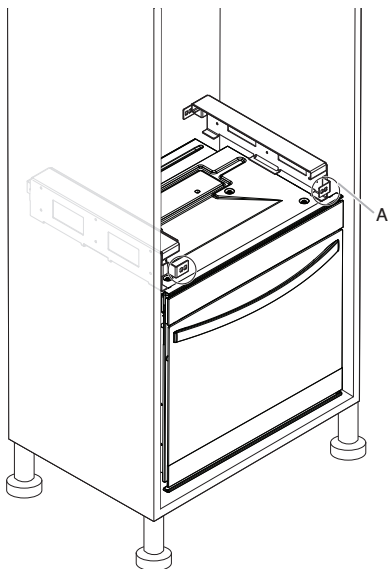
Le non-respect de cette instruction peut causer une blessure au dos ou d'autre blessure.

1. À l'aide de deux personnes ou plus, soulever le four inférieur par les poignées latérales situées de chaque côté du four. Insérer délicatement le four dans l'ouverture de l'armoire.
2. Placer le support gauche sur le dessus du four inférieur et contre le côté gauche de l'armoire.
3. Placer le support droit sur le dessus du four inférieur et contre le côté droit de l'armoire.

REMARQUE : Pour l'installation du support, la largeur intérieure maximale de l'armoire est de 23 ¹¹/₁₆ po (60,1 cm).

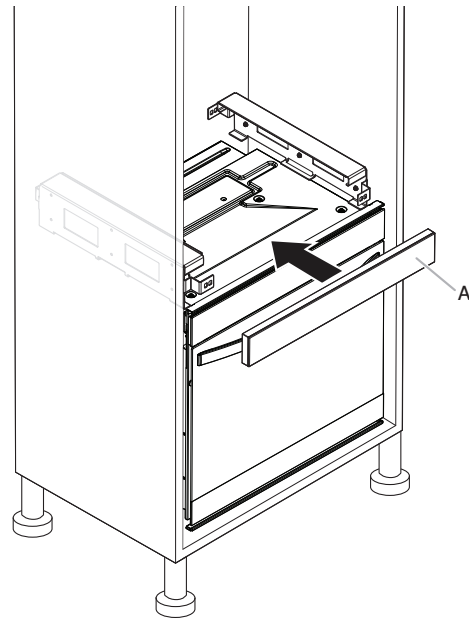


A. Support gauche
B. Support droit



A. Bride avant du support d'un four double

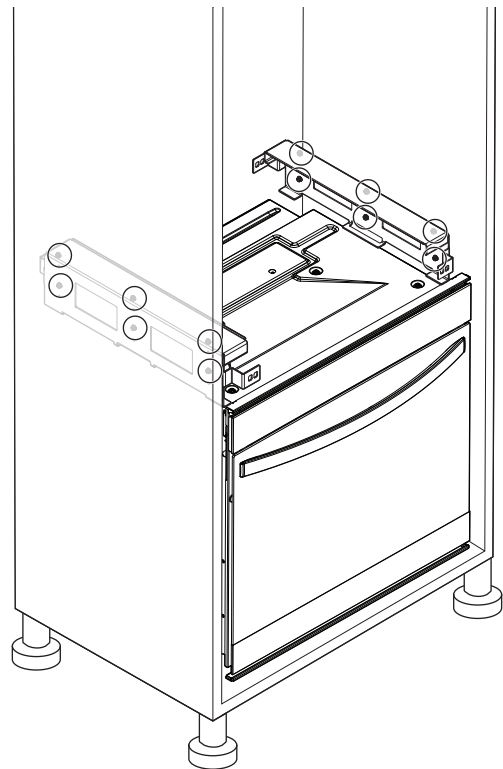
4. Pour une installation standard, aligner la bride avant des supports gauche et droit sur l'armoire avant, en utilisant une surface plane.



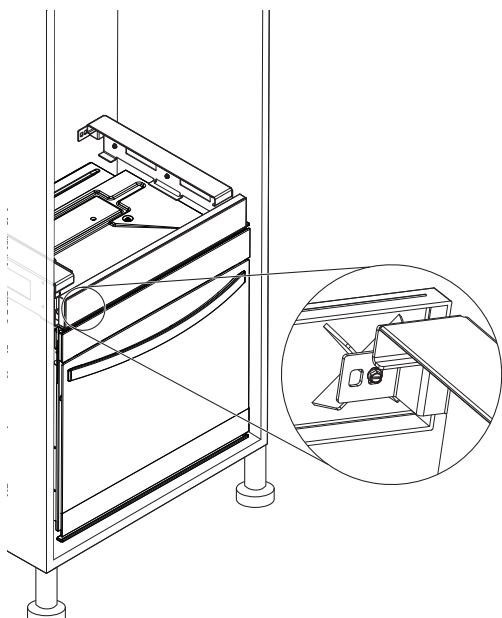
A. Panneau avant esthétique

Pour une installation affleurante, aligner le panneau esthétique avant sur l'armoire et placer la bride frontale du support contre la face arrière du panneau esthétique.

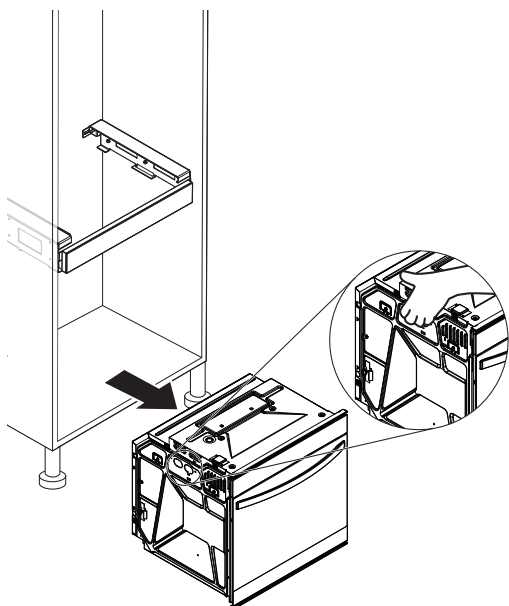
5. S'assurer de fixer les deux supports en position horizontale et aligner l'un par rapport à l'autre.
6. Une fois le support aligné, visser le support sur le mur latéral avec douze des vis de 4 x 12 mm.



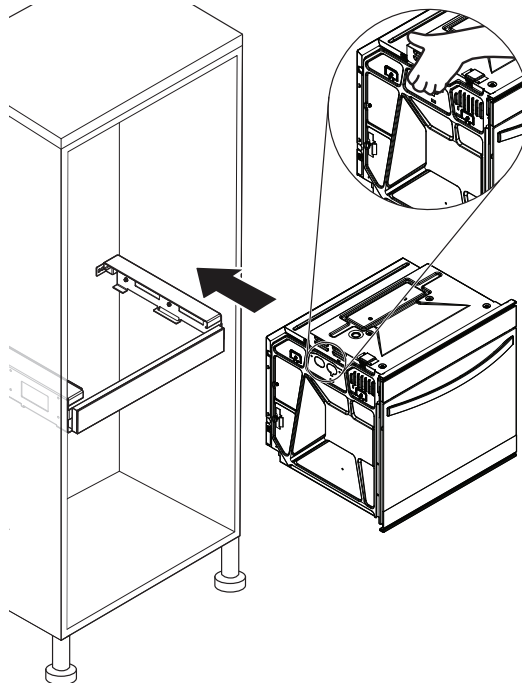
7. Visser le panneau esthétique à la bride du support avant au moyen des deux vis 4 x 12 mm restantes.



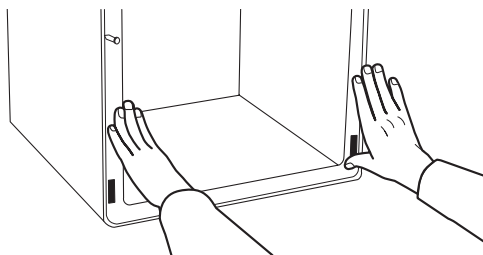
8. À l'aide de deux personnes ou plus, retirer délicatement le four inférieur à l'extérieur de l'armoire à l'aide des poignées situées sur les côtés droit et gauche du four.



9. À l'aide de deux personnes ou plus, soulever le four supérieur par les poignées latérales situées de chaque côté du four. Insérer le four doucement dans l'ouverture de l'armoire, en le faisant glisser sur les supports gauche et droit.



10. Pousser contre la zone du joint de l'avant du châssis pour pousser le four dans l'armoire.



11. À l'aide de deux personnes ou plus, déplacer doucement le four inférieur par les poignées latérales situées sur les côtés droit et gauche du four et le placer sur le sol près de l'ouverture de l'armoire.
12. Passer le conduit du four supérieur dans la boîte électrique.
13. Passer le conduit du four inférieur dans la boîte électrique.
14. Passer à la section « Raccordement électrique » à la page 24 et suivre les instructions qui y sont répertoriées. Passer à la section « Installation complète du four double » une fois les raccordements électriques effectués.

Installation complète du four double

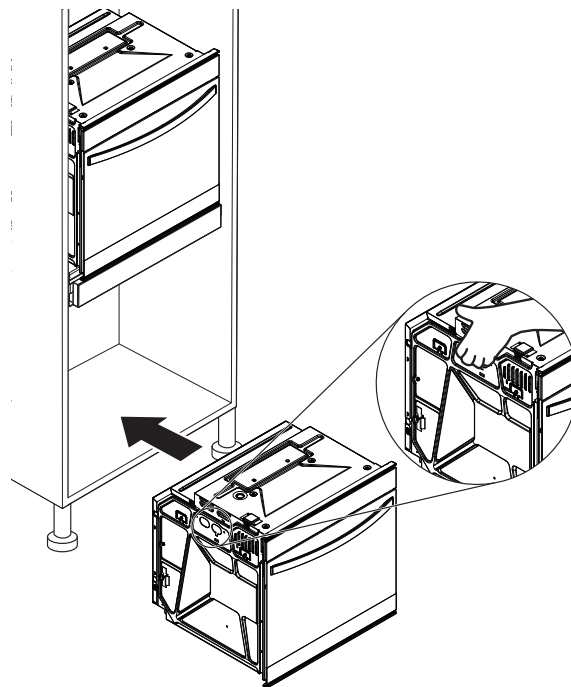
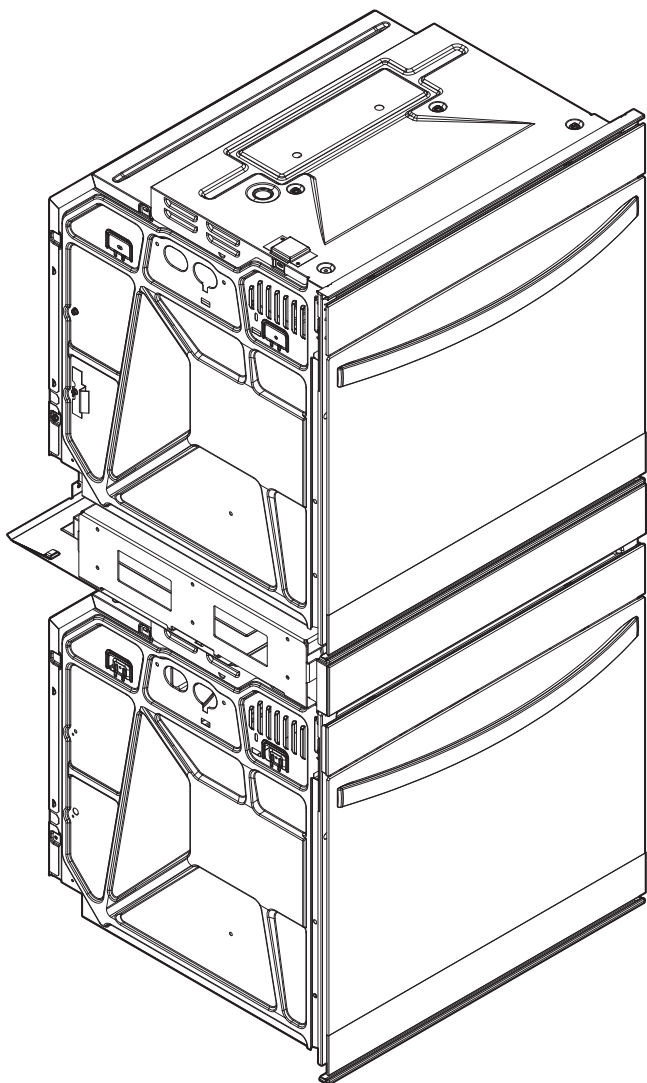
AVERTISSEMENT

Risque du poids excessif

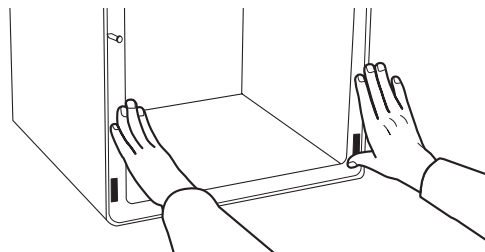
Utiliser deux ou plus de personnes pour déplacer et installer le four.

Le non-respect de cette instruction peut causer une blessure au dos ou d'autre blessure.

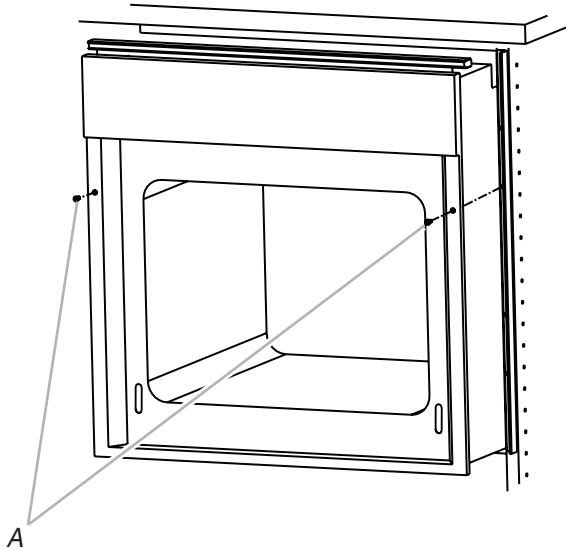
1. À l'aide de deux personnes ou plus, soulever le four inférieur par les poignées latérales situées de chaque côté du four. Insérer délicatement le four dans l'ouverture de l'armoire.



2. Pousser contre la zone du joint de l'avant du châssis pour pousser le four dans l'armoire.

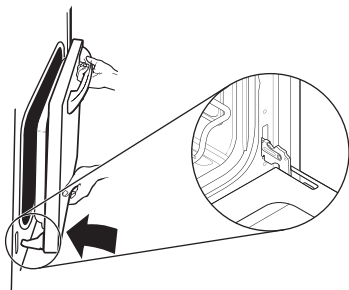


3. Fixer solidement le four à l'armoire à l'aide des deux vis autotaraudantes de 4 x 25 mm fournies. Insérer les vis à travers les trous des glissières de montage. Ne pas serrer excessivement les vis.



A. Quatre vis autotaraudantes de 4 x 25 mm

4. Installer les grilles du four.
5. Réinstaller la porte du four en insérant les deux bras de suspension dans la porte.



6. Ouvrir la porte du four. On devrait entendre un déclic lors de la mise en place de la porte.
7. Replacer les leviers de charnière à la position verrouillée.
8. Vérifier que la porte s'ouvre et se ferme facilement. En cas d'impossibilité d'ouverture ou de fermeture parfaite de la porte, répéter les procédures de retrait et d'installation de la porte. Voir la section « Enlever la porte du four ».
9. Rebrancher l'alimentation.
10. Sur certains modèles, le tableau d'affichage s'allume brièvement et « PF » devrait apparaître sur l'affichage.
11. Si le tableau d'affichage ne s'allume pas, consulter la section « Assistance ou service » du guide d'utilisation et d'entretien ou contacter le marchand qui vous a vendu le four.

Liste de contrôle d'installation finale

1. Vérifier que toutes les pièces sont maintenant installées. S'il y a des pièces supplémentaires, relire les étapes pour savoir quelle étape a été passée.
2. Vérifier la présence de tous les outils.
3. Éliminer/recycler tous les matériaux d'emballage.
4. Pour utiliser et nettoyer le four, lire le Guide d'utilisation et d'entretien.

Vérification du fonctionnement

REMARQUE : Consulter les étapes 1 à 5 des sections « Tableau de commande » et « Fonctions du four » dans le Guide d'utilisation et d'entretien.

1. Appuyer sur la touche On/Off (marche/arrêt) pour mettre l'appareil sous tension.
2. Lorsqu'on allume le four pour la première fois, il faut sélectionner la langue souhaitée et régler l'heure exacte.
3. Sélectionner « Traditionnel » puis « Conventionnel ».
4. Régler la température.
5. Appuyer sur START (mise en marche).

Si le(s) four(s) ne fonctionne(nt) pas, contrôler ce qui suit :

- Le fusible domestique est intact et bien visé ou le disjoncteur n'est pas ouvert.
 - La prise de courant est correctement alimentée.
 - Voir la section « Dépannage » dans le guide d'utilisation et d'entretien.
6. Après que le four a fonctionné pendant 5 minutes, vérifier qu'il y a émission de chaleur.

Si aucune chaleur n'est perceptible, éteindre le four et contacter un technicien qualifié.
 7. Pour paramétrer les fonctions du four, consulter le Guide d'utilisation et d'entretien.

Pour obtenir de l'assistance ou une visite de service :

Consulter la section « Assistance ou service » du Guide d'utilisation et d'entretien ou contacter le marchand auprès duquel le four encastré a été acheté.