

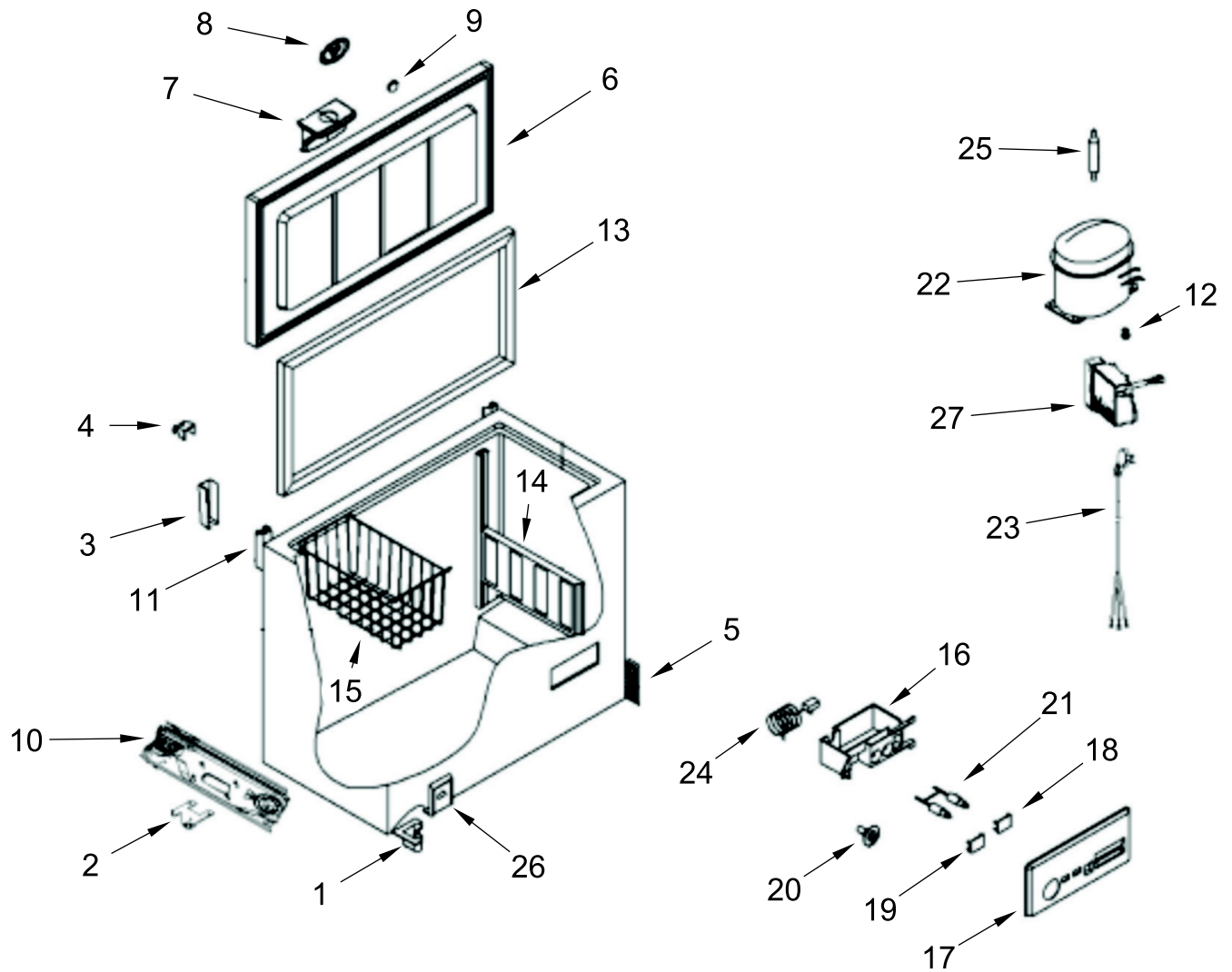
AMANA®

CHEST FREEZER

MODELS:

AZC5216LW (White)

CABINET PARTS



CABINET PARTS

<u>Illus.</u> <u>No.</u>	<u>Part No.</u>	<u>Description</u>	<u>Illus.</u> <u>No.</u>	<u>Part No.</u>	<u>Description</u>	<u>Illus.</u> <u>No.</u>	<u>Part No.</u>	<u>Description</u>
1	W11591689	Foot	10	W11591985	Compressor Support	19	W11592039	Lens (Green)
2	W11591957	Wheel Assembly	11	W11593345	Hinge	20	W11592041	Thermostat Knob
3	W11591958	Cover Hinge (Lower)	12	W11592044	Compressor Damper	21	W11593352	Lamp
4	W11591959	Cover Hinge (Upper)	13	W11593741	Gasket, Door	22	W11593917	Compressor
5	W11591960	Compressor Grid	14	W11593742	Separator	23	W11592048	Power Cord
6	W11593344	Door, Freezer	15	W11593349	Basket	24	W11592058	Thermostat
7	W11591981	Door Handle	16	W11592036	Thermostat Casing	25	W11592063	Drier
8	W11591982	Logo	17	W11592037	Control Panel	26	W11592064	Panel Drain
9	W11591983	Plug	18	W11592038	Lens (Red)	27	W11593911	Inverter