

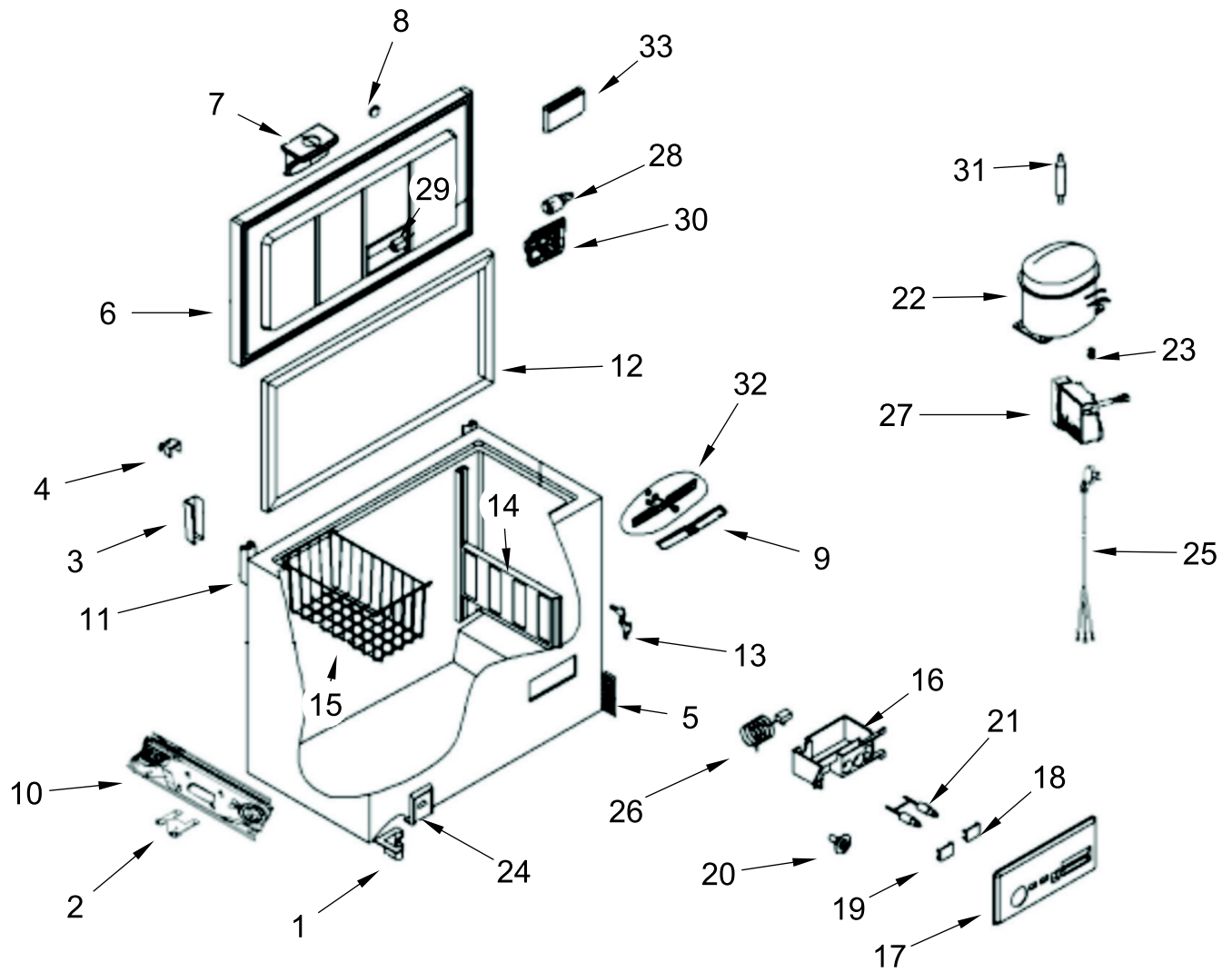


CHEST FREEZER

MODELS:

MZC5216LW (White)

CABINET PARTS



CABINET PARTS

<u>Illus. No.</u>	<u>Part No.</u>	<u>Description</u>	<u>Illus. No.</u>	<u>Part No.</u>	<u>Description</u>	<u>Illus. No.</u>	<u>Part No.</u>	<u>Description</u>
1	W11591689	Foot	14	W11593742	Separator	26	W11592058	Thermostat
2	W11591957	Wheel Assembly	15	W11593749	Basket, Freezer	27	W11593911	Inverter
3	W11591958	Cover Hinge (Lower)	16	W11592036	Thermostat Casing	28	W11593885	Bulb, LED
4	W11591959	Cover Hinge (Upper)	17	W11592037	Control Panel	29	W11593888	Holder, Lamp
5	W11591960	Compressor Grid	18	W11592038	Lens (Red)	30	W11593886	Support, Lamp Holder
6	W11593693	Door, Freezer	19	W11592039	Lens (Green)	31	W11592063	Drier
7	W11591981	Door Handle	20	W11592041	Thermostat Knob	32	W11593738	Assembly, Lock
8	W11591983	Plug	21	W11593918	Lamp, Pilot (with Harness)	33	W11593756	Cover, Lamp
9	W11593694	Cover, Door Lock	22	W11593917	Compressor			FOLLOWING PARTS NOT ILLUSTRATED
10	W11591985	Compressor Support	23	W11592044	Compressor Damper	W11593755	W11593755	Basket, Freezer Bottle
11	W11593345	Hinge	24	W11592064	Panel Drain			
12	W11593741	Gasket, Door	25	W11592048	Cable			
13	W11593701	Key						