



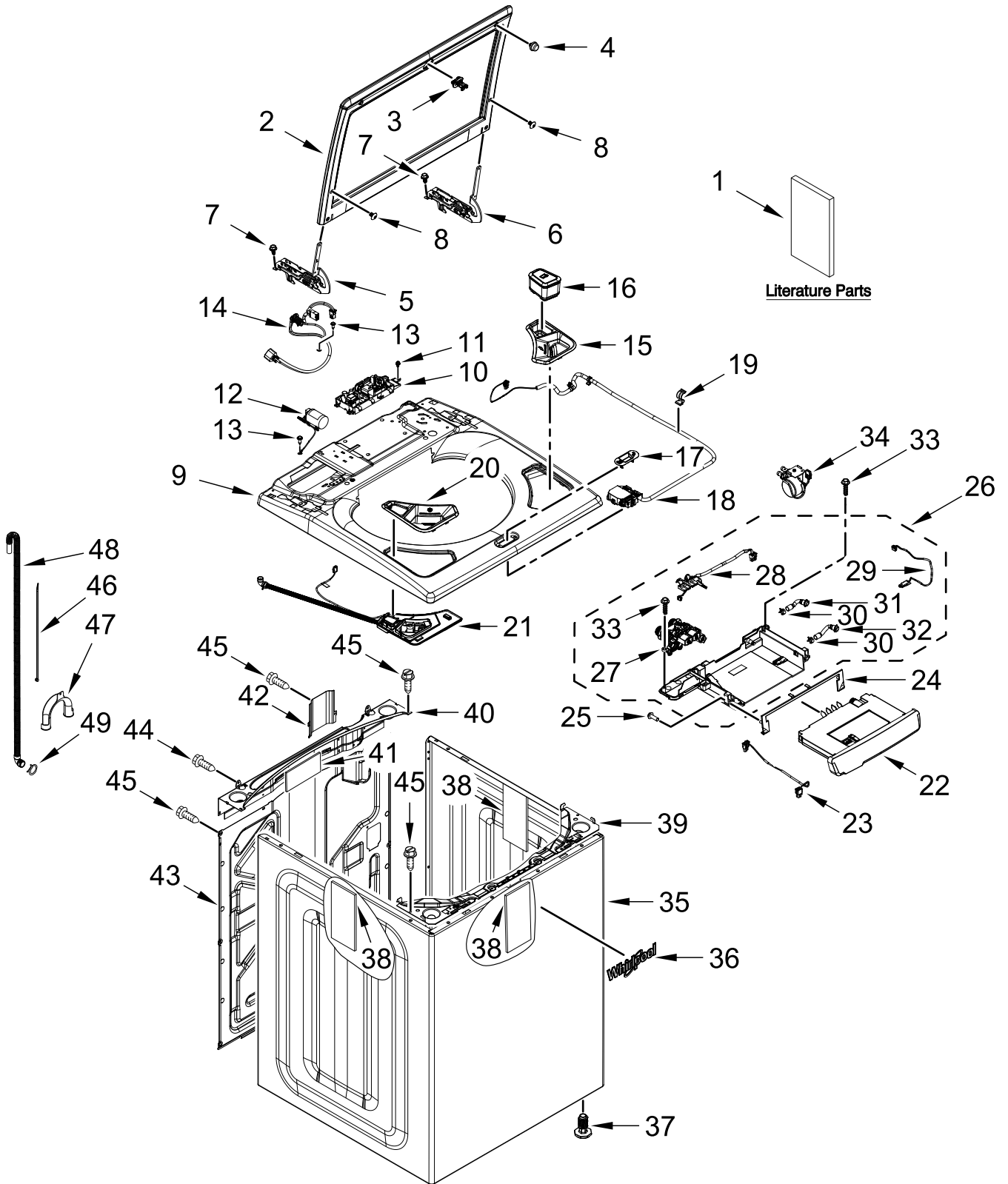
## **AUTOMATIC WASHER**

### **MODELS:**

WTW8127LW0 (White)

WTW8127LC0 (Chrome Shadow)

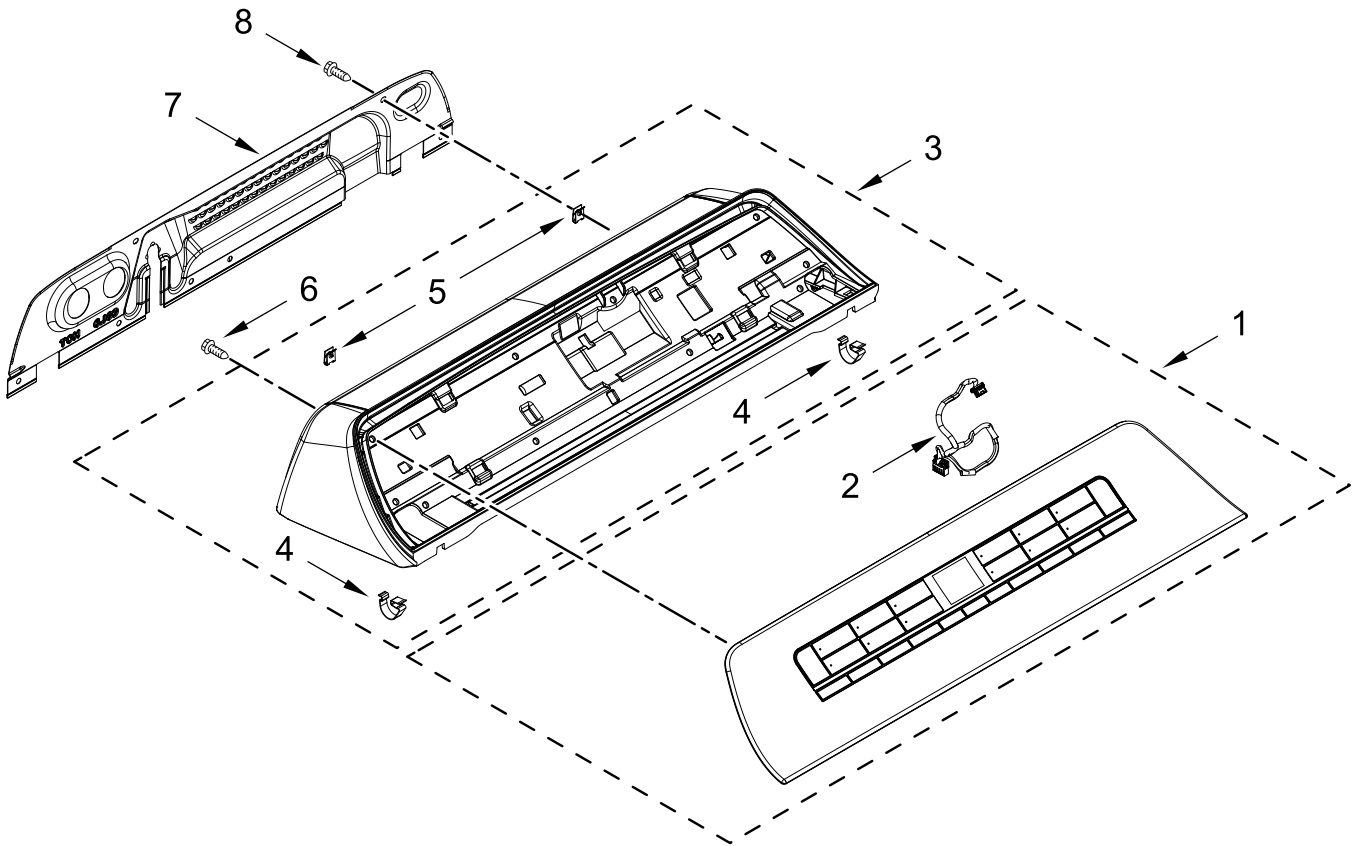
# TOP AND CABINET PARTS



# TOP AND CABINET PARTS

| <u>Illus. No.</u> | <u>Part No.</u> | <u>Description</u>                       | <u>Illus. No.</u> | <u>Part No.</u> | <u>Description</u>                        | <u>Illus. No.</u> | <u>Part No.</u> | <u>Description</u>         |
|-------------------|-----------------|--|-------------------|-----------------|---|-------------------|-----------------|----------------------------|
| 1                 |                 | Literature Parts                         | 16                | W11175764       | Brush, Scrub                              | 33                | 97787           | Screw                      |
|                   | W11197727       | Owners Manual                            | 17                |                 | Bezel, Lid Lock                           | 34                | W11238377       | Pump, Metering Cabinet     |
|                   | W11485197       | Energy Guide                             |                   | W11215078       | White                                     | 35                |                 | White                      |
|                   | W11197745       | Tech Sheet                               |                   | W11215091       | Chrome Shadow                             |                   | W10677265       | White                      |
|                   | W11250102       | Wiring Diagram                           | 18                | W11032875       | Assembly, Lid Lock                        |                   | W10677266       | Chrome Shadow              |
| 2                 |                 | Assembly, Lid (Glass)                    | 19                | 90016           | Clip, Harness                             | 36                | W10884775       | Badge                      |
|                   | W11416841       | Tempest Grey                             | 20                | W11094976       | Bezel, Faucet Switch                      | 37                | W10687506       | Foot Assembly, Leveling    |
| 3                 | W11091027       | Strike Assembly                          | 21                | W11175629       | Assembly, Faucet Switch                   | 38                | W10688364       | Absorber, Impact           |
| 4                 | W10631074       | Bumper, Lid                              |                   |                 | Assembly, Dispenser Drawer                | 39                |                 | Channel, Top Front         |
| 5                 | W11128305       | Hinge, Lid (Left)                        | 22                |                 | Assembly, Dispenser Drawer                |                   | W11384398       | White                      |
| 6                 | W11128306       | Hinge, Lid (Right)                       |                   | W11174984       | Chrome Shadow                             |                   | W11384407       | Chrome Shadow              |
| 7                 | W10142728       | Screw                                    | 23                | W11130938       | Harness, Dispenser                        | 40                | W10512626       | Channel, Top Rear          |
| 8                 | W11183686       | Screw                                    | 24                | W11174982       | Bezel, Dispenser                          | 41                | 8564458         | Absorber, Impact           |
| 9                 |                 | Top                                      | 25                | 9740848         | Screw                                     | 42                | W10676061       | Cover, Harness             |
|                   | W11126907       | White                                    | 26                | W11094592       | Assembly, Dispenser Housing & Inlet Valve | 43                | W11417171       | Panel, Rear                |
|                   | W11126908       | Chrome Shadow                            |                   |                 | Valve, Water Inlet                        | 44                | W10567155       | Screw                      |
| 10                | W11484621       | Control Unit Assembly, Machine and Motor | 27                | W11096268       | Valve, Water Inlet                        | 45                | W10660565       | Screw                      |
| 11                | 693995          | Screw                                    | 28                | W11130934       | Harness, Water Inlet Valve                | 46                | W10339879       | Tie, Cable                 |
| 12                | W11033573       | Assembly, Line Filter                    | 29                | W11178145       | Sensor, Detergent Level                   | 47                | W10280024       | U-Bend, Drain Hose         |
| 13                | 3400076         | Screw                                    | 30                | W10715699       | Clamp, Hose                               | 48                | W11203364       | Hose, Outer Drain Assembly |
| 14                | W11112935       | Power Cord                               | 31                | W11094606       | Hose (Short)                              | 49                | 356138          | Clamp, Hose                |
| 15                |                 | Bezel, Bleach Dispenser                  | 32                | W11174978       | Hose (Long)                               |                   |                 |                            |
|                   | W11175768       | Chrome Shadow                            |                   |                 |   |                   |                 |                            |

# CONSOLE PARTS



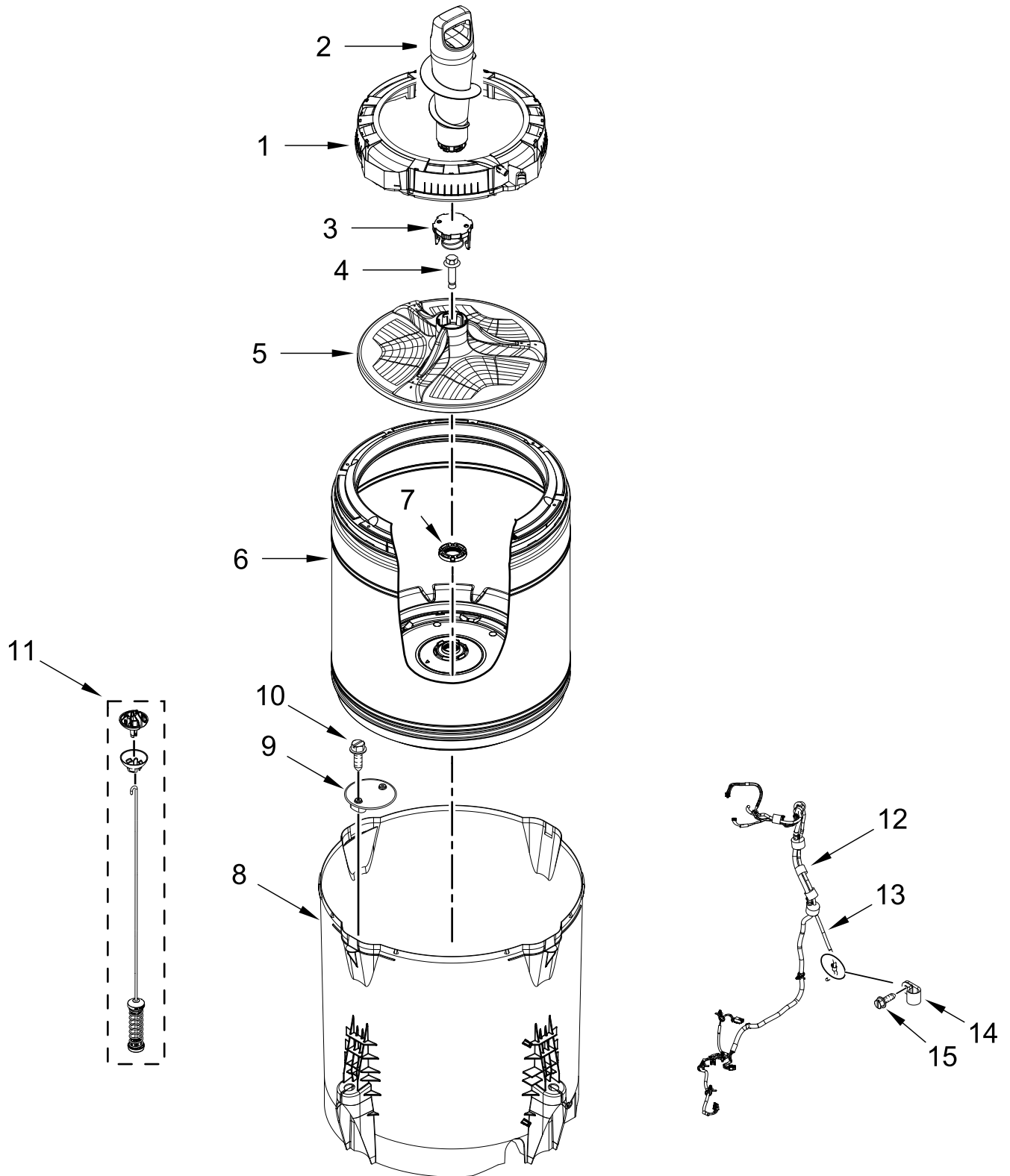
# CONSOLE PARTS

| <u>Illus.</u><br><u>No.</u> | <u>Part No.</u> | <u>Description</u> |
|-----------------------------|-----------------|--------------------|
| 1                           | W11094978       | Assembly, Fascia   |
| 2                           | W11130939       | Harness, UI        |

| <u>Illus.</u><br><u>No.</u> | <u>Part No.</u> | <u>Description</u> |
|-----------------------------|-----------------|--------------------|
| 3                           |                 | Assembly, Console  |
|                             | W11093764       | White              |
|                             | W11178258       | Chrome Shadow      |
| 4                           | 8312709         | Clip, Console      |

| <u>Illus.</u><br><u>No.</u> | <u>Part No.</u> | <u>Description</u>  |
|-----------------------------|-----------------|---------------------|
| 5                           | W10298336       | Nut, "U"            |
| 6                           | 12990204        | Screw               |
| 7                           | W11129559       | Panel, Console Rear |
| 8                           | W10660565       | Screw               |

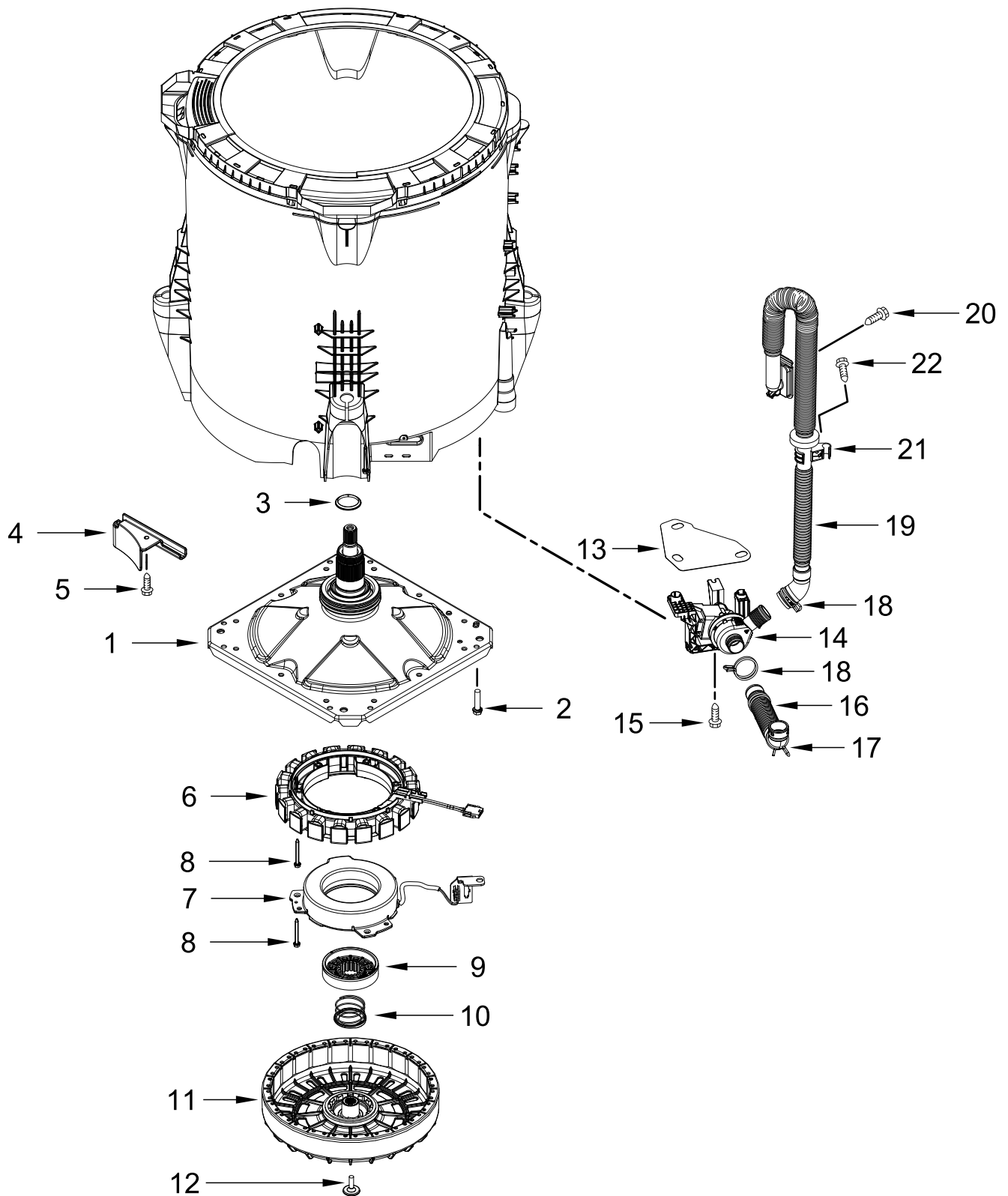
# BASKET AND TUB PARTS



# BASKET AND TUB PARTS

| <u>Illus.</u><br><u>No.</u> | <u>Part No.</u> | <u>Description</u>  | <u>Illus.</u><br><u>No.</u> | <u>Part No.</u> | <u>Description</u>   | <u>Illus.</u><br><u>No.</u> | <u>Part No.</u> | <u>Description</u>   |
|-----------------------------|-----------------|---|-----------------------------|-----------------|--|-----------------------------|-----------------|----------------------|
| 1                           | W11094304       | Tub Ring  | 7                           | W11183985       | Basket, Lock Nut   | 12                          | W11130936       | Harness, Lower       |
| 2                           | W11395428       | Agitator  | 8                           | W11219115       | Tub  | 13                          | 8572540         | Hose Pressure Switch |
| 3                           | W11395423       | Cap, Impeller<br>(Agitator/Impeller Cap<br>interchangeable) | 9                           | W11089264       | Filter, Drain Pump   | 14                          | W10005430       | Clamp, Cable         |
| 4                           | W10625252       | Screw   | 10                          | 8533928         | Screw  | 15                          | W10238319       | Screw                |
| 5                           | W11308900       | Impeller (Washplate)  | 11                          | W11187091       | Damper Assembly,<br>Tub Suspension<br>(Set Of 4-Includes<br>Suspension Bushings<br>and Suspension Balls) |                             |                 |                      |
| 6                           | W11178227       | Basket Assembly   |                             |                 |  |                             |                 |                      |

# GEARCASE, MOTOR AND PUMP PARTS





# GEARCASE, MOTOR AND PUMP PARTS

| <u>Illus.</u><br><u>No.</u> | <u>Part No.</u> | <u>Description</u>     | <u>Illus.</u><br><u>No.</u> | <u>Part No.</u> | <u>Description</u>   | <u>Illus.</u><br><u>No.</u> | <u>Part No.</u> | <u>Description</u>   |
|-----------------------------|-----------------|------------------------|-----------------------------|-----------------|----------------------|-----------------------------|-----------------|----------------------|
| 1                           | W11185701       | Drive Assembly         | 10                          | W10006494       | Assembly, Spring     | 19                          | W11291620       | Hose, Internal Drain |
| 2                           | W10249633       | Screw                  | 11                          | W10897040       | Rotor, Motor         | 20                          | 9740848         | Screw                |
| 3                           | W11218170       | Washer, Thrust         | 12                          | W10636382       | Screw                | 21                          | W10652932       | Clip, Hose           |
| 4                           | W10673062       | Harness Shield - Motor | 13                          | W10894129       | Shield, Heat         | 22                          | 8533943         | Screw                |
| 5                           | 3400076         | Screw                  | 14                          | W11263349       | Pump Assembly, Drain |                             |                 |                      |
| 6                           | W10897050       | Stator, Motor          | 15                          | W10004910       | Screw                |                             |                 |                      |
| 7                           | W10905022       | Assembly, Clutch       | 16                          | W10763259       | Hose, Tub to Pump    |                             |                 |                      |
| 8                           | W10644129       | Screw                  | 17                          | 8317496         | Clamp, Hose          |                             |                 |                      |
| 9                           | W10905025       | Slider                 | 18                          | W11375994       | Clamp, Hose          |                             |                 |                      |

# OPTIONAL PARTS (NOT INCLUDED)

## PAINT, TOUCH-UP (1/2OZ.)

| <u>Illus. No.</u> | <u>Part No.</u> | <u>Description</u> |
|-------------------|-----------------|--------------------|
|                   | 72017           | White              |
|                   | W10446202       | Chrome Shadow      |

## PAINT, PRESSURIZED SPRAY (12 OZ.)

| <u>Illus. No.</u> | <u>Part No.</u> | <u>Description</u> |
|-------------------|-----------------|--------------------|
|                   | 350938          | Gray Primer        |
|                   | 350930          | White              |

## PAINT, BULK (1 QT.)

| <u>Illus. No.</u> | <u>Part No.</u> | <u>Description</u> |
|-------------------|-----------------|--------------------|
|                   | 799344          | White (Uncut)      |

## SEALER

| <u>Illus. No.</u> | <u>Part No.</u> | <u>Description</u>                 |
|-------------------|-----------------|------------------------------------|
|                   | 285195          | Sealer, Gasket (.20 Fl. Oz.) (6ml) |

## ACCESSORY PARTS

| <u>Illus. No.</u> | <u>Part No.</u> | <u>Description</u>  |
|-------------------|-----------------|---|
|                   | XHS1000XX       | Laundry Appliance Hanger Rack   |
|                   | W10135699       | Affresh® Washer Cleaner   |
|                   | W10355053       | Affresh® Machine Cleaning Wipes   |
|                   | W10921681       | Affresh® Machine Cleaning Wipes   |
|                   | W10921682       | Affresh® Washer Cleaner Pouch   |
|                   | 8212526         | Washer, Drip Tray   |
|                   | W10180464RP     | Delicates Laundry Wash Bag  |
|                   | W10214580RP     | Top Load Washer/Dryer Cover (Gray)  |
|                   | 8212546RP       | Inlet Hoses, 4 Ft. (Two Black Hoses W/ Straight Ends and 4 Rubber Washers)                |
|                   | 8212487RC       | Inlet Hoses, 5 Ft. (Two Braided Hoses W/Straight Ends & 4 Rubber Washers).                |
|                   | 8212487RP       | Inlet Hoses, 5 Ft. (Two Braided Hoses W/Straight Ends & 4 Rubber Washers).                |
|                   | 8212545RP       | Inlet Hoses, 5 Ft. (One Red Hose and One Blue Hose W/ Straight Ends and 4 Rubber Washers) |

| <u>Illus. No.</u> | <u>Part No.</u> | <u>Description</u>  |
|-------------------|-----------------|---|
|                   | 8212641RP       | Inlet Hoses, 5 Ft. (Two Black Hoses W/ Straight Ends and 4 Rubber Washers)                            |
|                   | 8212638RC       | Inlet Hoses, 6 Ft (Two Braided Hoses W/ One Straight End and One 90 Degree End and 4 Rubber Washers). |
|                   | 8212638RP       | Inlet Hoses, 6 Ft (Two Braided Hoses W/ One Straight End and One 90 Degree End and 4 Rubber Washers)  |
|                   | 8212656RP       | Inlet Hoses, 10 Ft. (Two Black Hoses W/ Straight Ends and 4 Rubber Washers)                           |
|                   | W10575888       | Hose Fill Kit   |
|                   | 285320          | Siphon Break Kit  |
|                   | DRNEXT4         | Drain Hose Extension Kit  |
|                   | 40922           | Drain Hose Extension Kit  |
|                   | 285863          | 4' Drain Hose w/Clamp   |
|                   | 8318155         | 4' Drain Hose Extension   |
|                   | 285666          | 8' Drain Hose w/clamp   |