

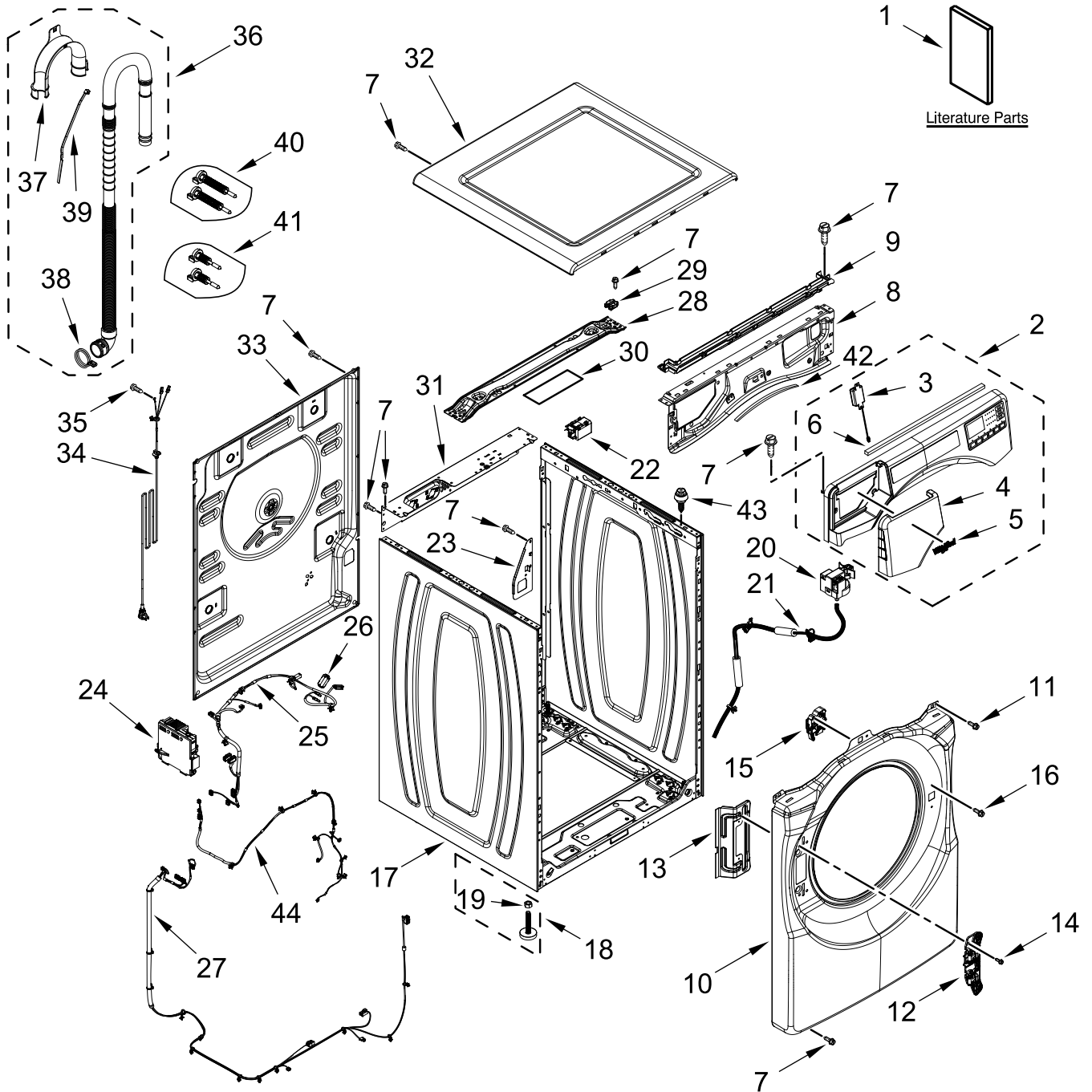


AUTOMATIC WASHER

MODELS:

WFW5620HW0 (White)

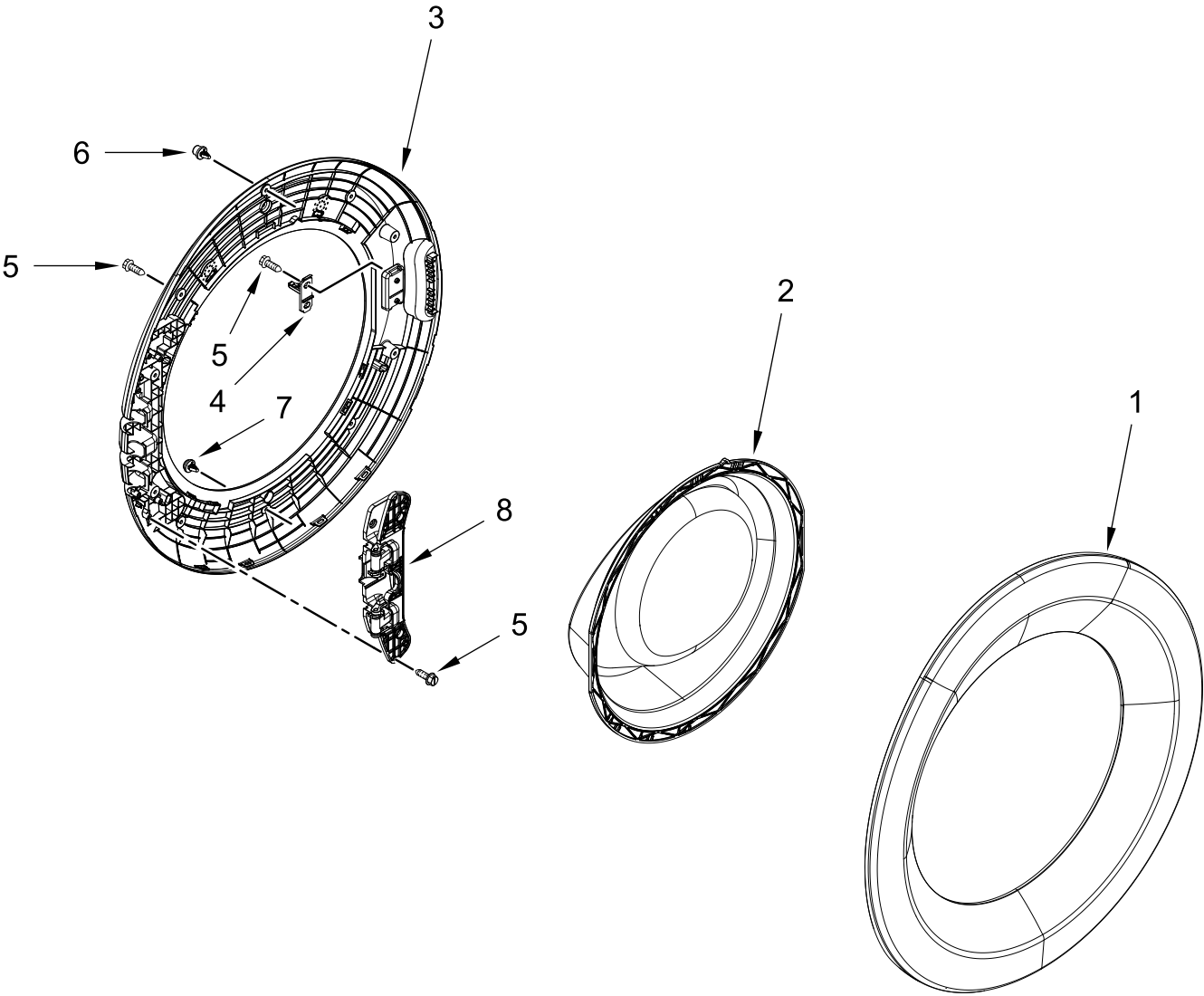
TOP AND CABINET PARTS



TOP AND CABINET PARTS

| <u>Illus. No.</u> | <u>Part No.</u> | <u>Description</u> | <u>Illus. No.</u> | <u>Part No.</u> | <u>Description</u> | <u>Illus. No.</u> | <u>Part No.</u> | <u>Description</u> |
|-------------------|-----------------|---------------------------|-------------------|-----------------|------------------------------|-------------------|-----------------|----------------------------|
| 1 | | Literature Parts | 12 | W11114011 | Hinge Assembly | 29 | W10245452 | Retainer, Spring |
| | W11355369 | Owner's Manual | 13 | W11084215 | Bracket, Hinge | 30 | W10331064 | Foam Pad |
| | W11156977 | Installation Instructions | 14 | W10288126 | Screw | 31 | W11353016 | Bracket, Rear |
| | W11355381 | Quick Start Guide | 15 | W10804741 | Lock, Door | 32 | | Top |
| | W11356840 | Energy Guide | 16 | 8540282 | Screw | | W10208373 | White |
| | W11243716 | Wiring Diagram | 17 | | Cabinet | 33 | W11420275 | Panel, Rear |
| 2 | | Assembly, Console | | W11352995 | White | 34 | W10919946 | Cord, Power |
| | W11294803 | White | 18 | W10073890 | Leveling Leg Assembly | 35 | W10773242 | Screw |
| 3 | W10568405 | Assembly, Speaker | 19 | 3359452 | Nut, Hex | 36 | W11392677 | Hose, Drain (External) |
| 4 | | Handle, Drawer | 20 | W11125159 | Pressure Switch | 37 | W10280024 | U-Bend, Drain Hose |
| | W11167033 | White | 21 | W11319791 | Hose, Pressure Switch | 38 | 356138 | Clamp, Hose |
| 5 | W10884773 | Badge | 22 | W11219530 | RFI Filter | 39 | W10267532 | Cable Tie |
| 6 | W11231800 | Seal | 23 | W11091443 | Bracket, Drain Hose | 40 | W11041287 | Bolt, Transport (Long) |
| 7 | W10567155 | Screw | 24 | W11322903 | Appliance Control Unit (ACU) | 41 | W11041011 | Bolt, Transport (Short) |
| 8 | W10915381 | Bracket, Console | 25 | W10919934 | Harness, Upper | 42 | W10407376 | Edge Guard |
| 9 | W10796898 | Channel, Water | 26 | W11266154 | Snap-On, Ferrite Core | 43 | W10208380 | Screw and Bushing Assembly |
| 10 | | Panel, Front | 27 | W10919942 | Harness, Main Lower | 44 | W10919932 | Harness, NTC |
| | W11107843 | White | 28 | W10467484 | Brace, Top | | | |
| 11 | 357640 | Screw | | | | | | |

DOOR PARTS



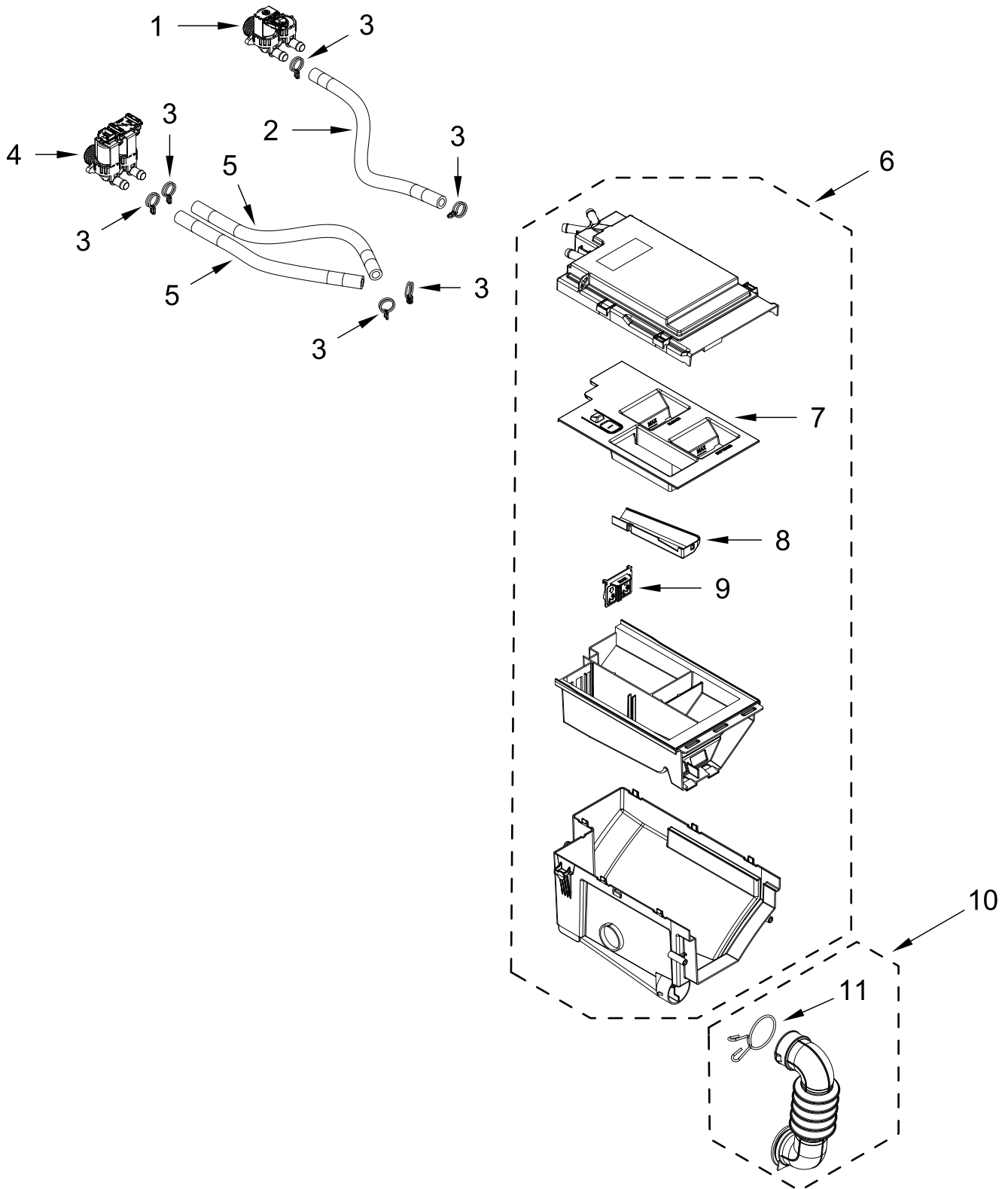
DOOR PARTS

| <u>Illus.</u> <u>No.</u> | <u>Part No.</u> | <u>Description</u> |
|-----------------------------|-----------------|--------------------|
| 1 | | Outer Door |
| | W11114013 | White |
| 2 | W11171604 | Door, Clear Insert |
| 3 | W11114009 | Door, Inner |
| 4 | W10921697 | Strike, Door |

| <u>Illus.</u> <u>No.</u> | <u>Part No.</u> | <u>Description</u> |
|-----------------------------|-----------------|-------------------------|
| 5 | 8534022 | Screw |
| 6 | W11230200 | Bumper, Door (Upper) |

| <u>Illus.</u> <u>No.</u> | <u>Part No.</u> | <u>Description</u> |
|-----------------------------|-----------------|-------------------------|
| 7 | W11178950 | Bumper, Door (Lower) |
| 8 | W11114011 | Hinge Assembly |

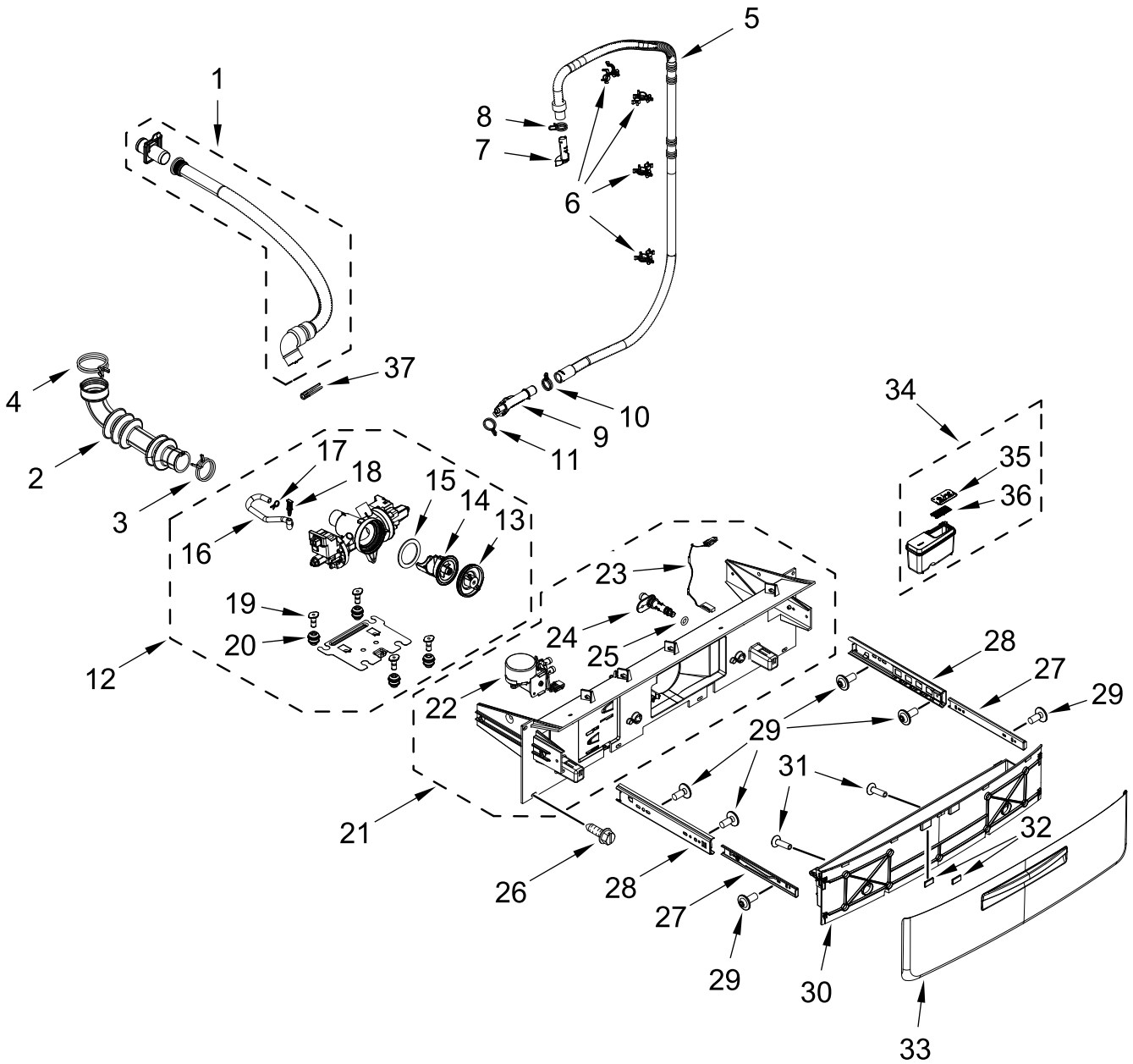
DISPENSER PARTS



DISPENSER PARTS

| <u>Illus.</u> <u>No.</u> | <u>Part No.</u> | <u>Description</u> | <u>Illus.</u> <u>No.</u> | <u>Part No.</u> | <u>Description</u> | <u>Illus.</u> <u>No.</u> | <u>Part No.</u> | <u>Description</u> |
|-----------------------------|-----------------|-----------------------|-----------------------------|-----------------|----------------------------|-----------------------------|-----------------|-----------------------------|
| 1 | W11036928 | Valve, Inlet (Single) | 7 | W11106525 | Siphon, Bleach/Softener | 10 | W10920132 | Assembly, Dispenser Hose |
| 2 | W10920135 | Hose, Inlet (Hot) | 8 | W11106522 | Cover, Detergent Drawer | 11 | W10239910 | Clamp, Hose |
| 3 | W10096851 | Clamp, Hose | 9 | W10918519 | Separator, Siphon | | | |
| 4 | W11036930 | Valve, Inlet (Double) | | | | | | |
| 5 | W10920133 | Hose, Inlet (Cold) | | | | | | |
| 6 | W11437243 | Assembly, Dispenser | | | | | | |

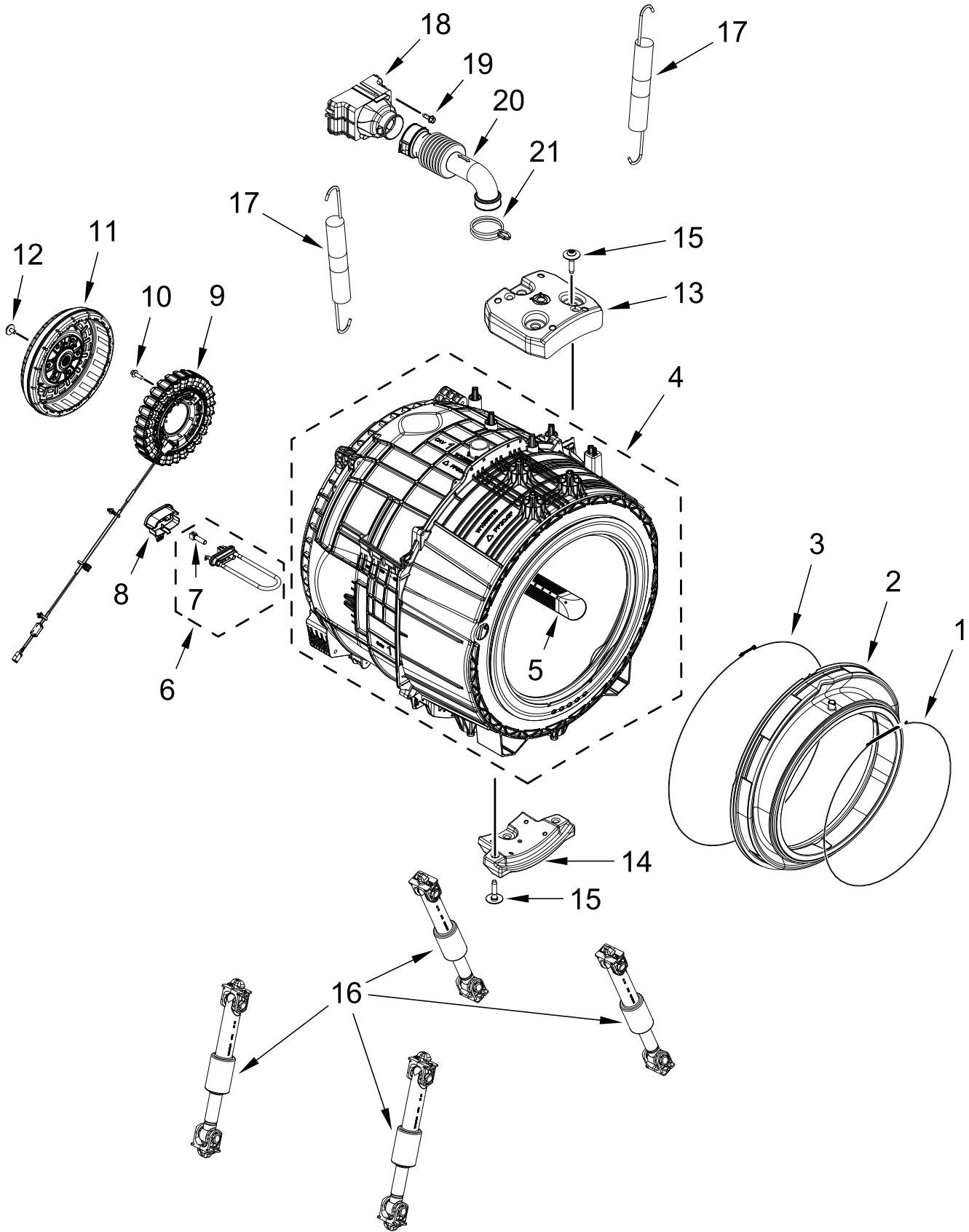
WATER SYSTEM PARTS



WATER SYSTEM PARTS

| <u>Illus.</u> <u>No.</u> | <u>Part No.</u> | <u>Description</u> | <u>Illus.</u> <u>No.</u> | <u>Part No.</u> | <u>Description</u> | <u>Illus.</u> <u>No.</u> | <u>Part No.</u> | <u>Description</u> |
|-----------------------------|-----------------|-----------------------------|-----------------------------|-----------------|----------------------------------|-----------------------------|-----------------|------------------------------------|
| 1 | W10921958 | Assembly, Drain Hose | 15 | W10921839 | Seal, Filter Cap | 28 | W11204545 | Rail, Outer |
| 2 | W11216718 | Hose, Tub to Pump | 16 | W10782741 | Hose, Drain (Pump) | 29 | 8540513 | Screw |
| 3 | 370448 | Clamp, Hose | 17 | W10834076 | Clamp, Hose | 30 | | Liner, Bulk Dispenser |
| 4 | W10273034 | Clamp, Vent Hose | 18 | W10834077 | Plug, Drain (Pump) | | W11222535 | White |
| 5 | W10921960 | Hose, Pump to Bellow | 19 | W11133160 | Grommet, Pin (Pump) | 31 | 9742177 | Screw |
| 6 | W11050231 | Clip, Hose | 20 | W11126910 | Grommet (Pump) | 32 | W11193487 | Magnet, Bulk Dispenser Liner |
| 7 | W10796538 | Nozzle, Water | 21 | W11114813 | Bracket, Metering Support | 33 | | Fascia, Bulk Dispenser |
| 8 | 371503 | Clamp, Hose | 22 | W10903621 | Pump, Metering | | W11174517 | White |
| 9 | W11170362 | Connection, Dosing (Single) | 23 | W11195379 | Assembly, Detergent Level Sensor | 34 | W11115633 | Assembly, Bulk Dispenser Tank (1L) |
| 10 | 8533888 | Clamp, Hose | 24 | W11041134 | Docking Tube | 35 | W11047515 | Lid, Tank |
| 11 | 9724996 | Clamp, Hose | 25 | W11218383 | O-Ring, Docking Tube | 36 | W11199898 | Level, Tank |
| 12 | W11319789 | Assembly, Pump | 26 | W10567155 | Screw | 37 | 356138 | Clamp, Hose |
| 13 | W10921834 | Cap, Filter | 27 | W11204544 | Rail, Inner | | | |
| 14 | W11319788 | Filter, Pump | | | | | | |

TUB AND BASKET PARTS



TUB AND BASKET PARTS

| <u>Illus.</u> <u>No.</u> | <u>Part No.</u> | <u>Description</u> | <u>Illus.</u> <u>No.</u> | <u>Part No.</u> | <u>Description</u> | <u>Illus.</u> <u>No.</u> | <u>Part No.</u> | <u>Description</u> |
|-----------------------------|-----------------|---------------------------------|-----------------------------|-----------------|-----------------------|-----------------------------|-----------------|----------------------|
| 1 | W10818945 | Retainer, Front Panel to Bellow | 7 | W10919909 | Sensor, NTC | 15 | W11235083 | Screw, Counterweight |
| 2 | W10897390 | Bellow | 8 | W10909418 | Shield, Heater | 16 | W11094464 | Damper Assembly |
| 3 | W11048199 | Retainer, Bellow to Tub | 9 | W11261207 | Stator, Motor | 17 | W10896675 | Spring, Suspension |
| 4 | W10921996 | Assembly, Tub and Drum | 10 | W11035597 | Screw, Stator | 18 | W10919157 | Enclosure, Vent |
| 5 | W11110198 | Baffle, Drum | 11 | W10916241 | Rotor, Motor | 19 | 8540513 | Screw |
| 6 | W10918779 | Assembly, Heater | 12 | W10797525 | Screw, Rotor | 20 | W11131396 | Hose, Ventilation |
| | | | 13 | W11209370 | Counterweight, Top | 21 | 371507 | Clamp, Hose |
| | | | 14 | W11279416 | Counterweight, Bottom | | | |

OPTIONAL PARTS (NOT INCLUDED)

PAINT, TOUCH-UP (1/2OZ.)

| <u>Illus. No.</u> | <u>Part No.</u> | <u>Description</u> |
|-------------------|-----------------|--------------------|
|-------------------|-----------------|--------------------|

| | | |
|--|-------|-------|
| | 72017 | White |
|--|-------|-------|

PAINT, PRESSURIZED SPRAY (12 OZ.)

| <u>Illus. No.</u> | <u>Part No.</u> | <u>Description</u> |
|-------------------|-----------------|--------------------|
|-------------------|-----------------|--------------------|

| | | |
|--|--------|-------------|
| | 350930 | White |
| | 350938 | Gray Primer |

PAINT, BULK (1 QT.)

| <u>Illus. No.</u> | <u>Part No.</u> | <u>Description</u> |
|-------------------|-----------------|--------------------|
|-------------------|-----------------|--------------------|

| | | |
|--|--------|---------------|
| | 799344 | White (Uncut) |
|--|--------|---------------|

ACCESSORY PARTS

| <u>Illus. No.</u> | <u>Part No.</u> | <u>Description</u> |
|-------------------|-----------------|--------------------|
|-------------------|-----------------|--------------------|

| | | |
|--|-----------|---------------------------------|
| | | Accessory Cleaners |
| | W10501250 | Affresh® 6 Count Washer Cleaner |
| | W10355053 | Affresh® Machine Cleaning Wipes |
| | W10135699 | Affresh® Washer Cleaner |

| <u>Illus. No.</u> | <u>Part No.</u> | <u>Description</u> |
|-------------------|-----------------|--------------------|
|-------------------|-----------------|--------------------|

| | | |
|--|---------|--------------------------|
| | | Accessory Drain Hoses |
| | DRNEXT4 | Drain Hose Extension Kit |

| | | |
|--|-----------|----------------------------|
| | W11234073 | Hose, Outer Drain Assembly |
| | | Accessory Inlet Hoses |

| | | |
|--|-----------|--|
| | 8212546RP | Inlet Hoses, 4 Ft. (Two Black Hoses W/ Straight Ends and 4 Rubber Washers) |
|--|-----------|--|

| | | |
|--|-----------|--|
| | 8212641RP | Inlet Hoses, 5 Ft. (Two Black Hoses W/ Straight Ends and 4 Rubber Washers) |
|--|-----------|--|

| | | |
|--|-----------|---|
| | 8212545RP | Inlet Hoses, 5 Ft. (One Red Hose and One Blue Hose W/ Straight Ends and 4 Rubber Washers) |
|--|-----------|---|

| | | |
|--|---------|---|
| | 8212487 | Inlet Hoses, 5 Ft. (Two Braided Hoses W/Straight Ends and 4 Rubber Washers) |
|--|---------|---|

| | | |
|--|-----------|--|
| | 8212638RP | Inlet Hoses, 6 Ft (Two Braided Hoses W/ One Straight End and One 90 Degree End and 4 Rubber Washers) |
|--|-----------|--|

| | | |
|--|-----------|---|
| | 8212656RP | Inlet Hoses, 10 Ft. (Two Black Hoses W/ Straight Ends and 4 Rubber Washers) |
|--|-----------|---|

| <u>Illus. No.</u> | <u>Part No.</u> | <u>Description</u> |
|-------------------|-----------------|--------------------|
|-------------------|-----------------|--------------------|

| | | |
|--|-----------|---|
| | W11378999 | Inlet Hoses, 4.5 Ft (Hot Water - One Braided Hoses W/ One Straight End and One 90 Degree End) |
|--|-----------|---|

| | | |
|--|-----------|--|
| | W11379000 | Inlet Hoses, 4.5 Ft (Cold Water - One Braided Hoses W/ One Straight End and One 90 Degree End) |
|--|-----------|--|

| | | |
|--|--|---------------------|
| | | Accessory Pedestals |
|--|--|---------------------|

| | | |
|--|--|-----------|
| | | XHP1000XW |
|--|--|-----------|

| | | |
|--|--|--------------------|
| | | White 10" Pedestal |
|--|--|--------------------|

| | | |
|--|--|-----------|
| | | WFP2715HW |
|--|--|-----------|

| | | |
|--|--|----------------------|
| | | White 15.5" Pedestal |
|--|--|----------------------|

| | | |
|--|--|-----------|
| | | WFP2715HC |
|--|--|-----------|

| | | |
|--|--|------------------------------|
| | | Chrome Shadow 15.5" Pedestal |
|--|--|------------------------------|

| | | |
|--|--|------------|
| | | WFP2715HBK |
|--|--|------------|

| | | |
|--|--|-----------------------------|
| | | Black Shadow 15.5" Pedestal |
|--|--|-----------------------------|

| | | |
|--|--|-----------------|
| | | Accessory Other |
|--|--|-----------------|

| | | |
|--|-----------|------------------------------------|
| | W11087953 | Assembly, Bulk Dispenser Tank (1L) |
|--|-----------|------------------------------------|

| | | |
|--|-----------|------------------------------------|
| | W11087952 | Assembly, Bulk Dispenser Tank (2L) |
|--|-----------|------------------------------------|

| | | |
|--|---------|-------------------|
| | 8212526 | Washer, Drip Tray |
|--|---------|-------------------|

| | | |
|--|-----------|------------|
| | W10869845 | Kit, Stack |
|--|-----------|------------|