


**⚠ DANGER**




**Electrical Shock Hazard**

Only authorized technicians should perform diagnostic voltage measurements.

After performing voltage measurements, disconnect power before servicing.

Failure to follow these instructions can result in death or electrical shock.

**⚠ WARNING**



**Electrical Shock Hazard**

Disconnect power before servicing.

Replace all parts and panels before operating.

Failure to do so can result in death or electrical shock.

### **Voltage Measurement Safety Information**

When performing live voltage measurements, you must do the following:

- Verify the controls are in the off position so that the appliance does not start when energized.
- Allow enough space to perform the voltage measurements without obstructions.
- Keep other people a safe distance away from the appliance to prevent potential injury.
- Always use the proper testing equipment.
- After voltage measurements, always disconnect power before servicing.

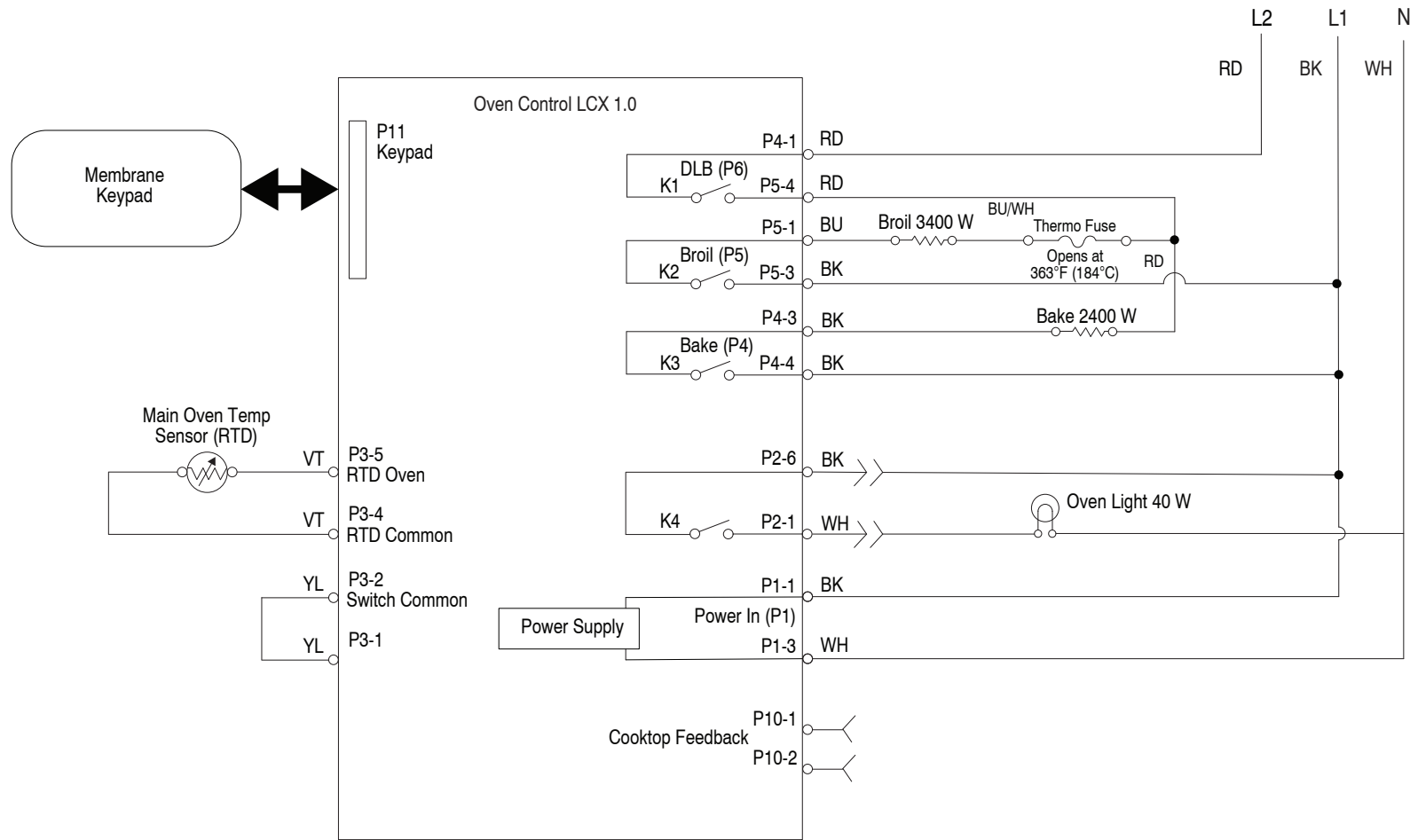
**IMPORTANT:** Electrostatic discharge may cause damage to machine control electronics. Refer to online Tech Sheet for additional information.

**Check for proper voltage by completing the following steps:**

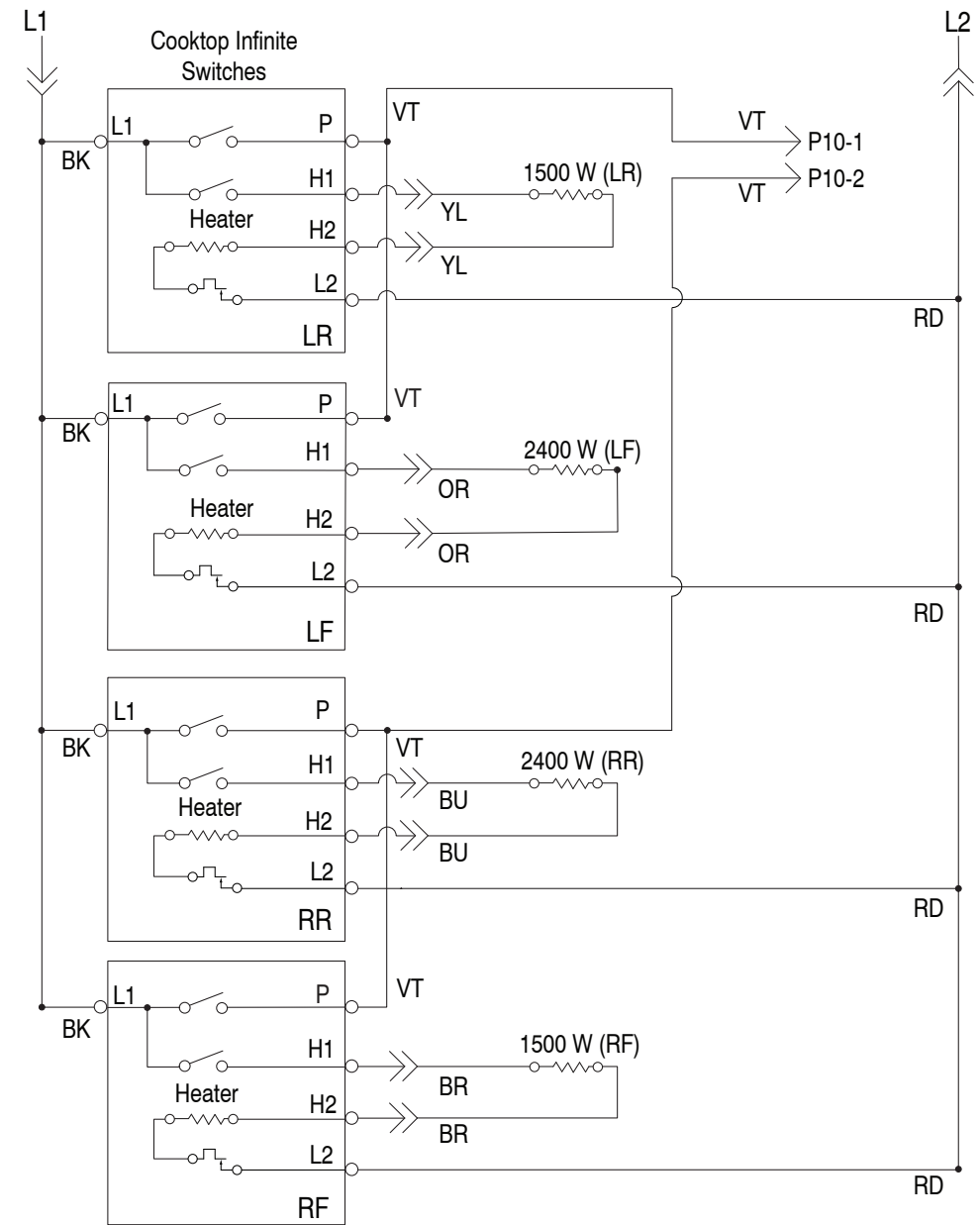
1. Disconnect the power or unplug the appliance.
2. Connect voltage measurement equipment to proper connectors.
3. Plug in appliance or reconnect power and confirm voltage reading.
4. Disconnect the power or unplug the appliance.

WIRE DIAGRAM

OVEN



COOKTOP



LEGEND

																		P1-2 = Connector P1, Pin 2	Multiple Functions / Circuitry Enclosed Within
--	--	--	--	--	--	--	--	--	--	--	--	--	--	--	--	--	--	----------------------------	--