



# 3.8 cu. ft. Top Load Washer

WTW4955H



White  
WTW4955HW

## Capacity

Total	3.8 cu. ft.
-------	-------------

## General Features & Properties

Soil Level Selection	
----------------------	--

3.8 cu. ft. Capacity	
----------------------	--

Soaking Cycles	
----------------	--

Late Lid Lock	
---------------	--

Quick Wash Cycle	
------------------	--

Whites Cycle	
--------------	--

Colors Cycle	
--------------	--

Bulky/Sheets Cycle	
--------------------	--

Delicates Cycle	
-----------------	--

## Electrical Details

Amps	15
------	----

Volts	120
-------	-----

## Technical Details

Drum Material	Stainless Steel
---------------	-----------------

Wash Action	Agitator
-------------	----------

Control Location	Rear Panel
------------------	------------

Control Type	Knobs
--------------	-------

Number of Cycles	12
------------------	----

Washer Cycle Selections	Bulky/Sheets Clean Washer with affresh® Colors
	Colors with Soak
	Delicates
	Drain & Spin
	Heavy Duty
	Normal
	Quick Wash
	Rinse & Spin
	Whites
	Whites with Soak

Number of Options	3
-------------------	---

Washer Option Selections	Auto Sensor
	Deep Water
	Wash-Extra Rinse
	Extra Rinse

## Dimensions

Product Dimensions (H x W x D)	43-3/4" x 27" x 26-1/2"
--------------------------------	-------------------------

Height with Lid Open 90°	52"
--------------------------	-----

## Reference Material

[Dimension Guide](#)

[Install Guide](#)

[Use & Care Guide](#)

[Energy Guide](#)

[Warranty](#)

## Key Features & Benefits

### Water Level Selection

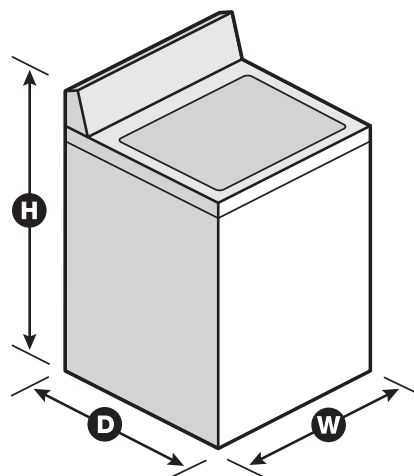
Choose the water level you need for the cycle you want. No matter which wash cycle you choose, Water Level Selection lets you select Auto Sensing to adjust water based on load size or the Deep Water Wash option to help break down loose soils with more water.

### Smooth Spiral Stainless Steel Wash Basket

Help protect fabrics from snagging with this stainless steel wash basket that gently guides clothes during the wash.

### Two-Way Wash Action Agitator

Give your clothes a deep yet gentle clean with the two-way wash action agitator, which turns one way while the basket turns the other, for a cleaning motion that moves fabrics smoothly through the wash.



NOTE: Dimensions are for planning purposes only. For complete details, see Installation Instructions packed with product. Specifications subject to change without notice.

®/™ © 2020. All rights reserved. Printed in the U.S.A. D200104XXD. WTW4955HSpecSheetV01.