



# 4.5 cu. ft. Front Load Washer

WFW5620H



White  
WFW5620HW

## Capacity

|       |             |
|-------|-------------|
| Total | 4.5 cu. ft. |
|-------|-------------|

## General Features & Properties

Intuitive Controls

Steam Clean Option

Sanitize Cycle

Quick Wash Cycle

Cold Wash Cycle

Presoak Option

Single Load Dispenser

Closet-Depth Fit

Smooth Wave Stainless Steel Wash Basket

## Electrical Details

|      |          |
|------|----------|
| Amps | 15 or 20 |
|------|----------|

|       |     |
|-------|-----|
| Volts | 120 |
|-------|-----|

## Certifications

|               |     |
|---------------|-----|
| ADA Compliant | Yes |
|---------------|-----|

|                        |     |
|------------------------|-----|
| ENERGY STAR® Certified | Yes |
|------------------------|-----|

## Technical Details

|               |                 |
|---------------|-----------------|
| Drum Material | Stainless Steel |
|---------------|-----------------|

|                  |       |
|------------------|-------|
| Control Location | Front |
|------------------|-------|

|              |           |
|--------------|-----------|
| Control Type | Tap Touch |
|--------------|-----------|

|                  |    |
|------------------|----|
| Number of Cycles | 37 |
|------------------|----|

|                         |  |
|-------------------------|--|
| Washer Cycle Selections | Bulky Items<br>Clean Washer with affresh®<br>Cold Wash<br>Colors<br>Delicates<br>Drain & Spin<br>Heavy Duty<br>Normal<br>Quick Wash<br>Regular<br>Sanitize with Oxi<br>Towels<br>Whites<br>Wrinkle Control |
|-------------------------|--|

|                   |   |
|-------------------|---|
| Number of Options | 9 |
|-------------------|---|

|                          |                            |
|--------------------------|----------------------------|
| Washer Option Selections | Extra Rinse<br>Steam Clean |
|--------------------------|----------------------------|

## Dimensions

|                                |                                |
|--------------------------------|--------------------------------|
| Product Dimensions (H x W x D) | 38-5/8" x<br>27" x<br>31-9/16" |
|--------------------------------|--------------------------------|

|                          |         |
|--------------------------|---------|
| Depth with Door Open 90° | 56-1/2" |
|--------------------------|---------|

## Reference Material

[Install Guide](#)

[Use & Care Guide](#)

[Energy Guide](#)

[Warranty](#)

## Key Features & Benefits

### Load & Go™ Dispenser

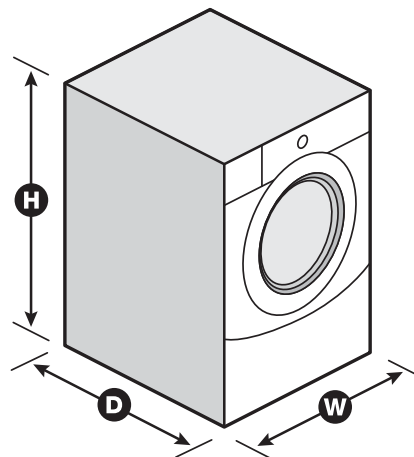
Skip steps with the Load & Go™ dispenser. Simply add detergent once and skip refills for 20 loads.\*

### 4.5 cu. ft. Capacity

Wash over three baskets of clothing in a single load and finish laundry fast with 4.5 cu. ft. washer capacity that offers enough space to handle larger loads.

### ENERGY STAR® Certified

ENERGY STAR® certified models exceed government standards to help conserve natural resources and save money on your utility bills.



\*Based on an 8-lb load. NOTE: Dimensions are for planning purposes only. For complete details, see Installation Instructions packed with product. Specifications subject to change without notice.