



4.2 cu. ft. Top Load Washer

MVWC565F



White
MVWC565FW

Capacity

Total 4.2 cu. ft.

General Features & Properties

Extra-Large 4.2 cu. ft. Capacity

Deep Water Wash Option

Auto Sensing Option

Deep Rinse Option

Maytag® Commercial Technology

American Pride

10-Year Limited Parts Warranty† On The Direct Drive Motor And Wash Basket

Electrical Details

Amps 15

Volts 120

Technical Details

Drum Material	Stainless Steel
Wash Action	Agitator
Control Location	Rear Panel
Control Type	Electronic
Number of Cycles	11
Washer Cycle Selections	Bulky/Sheets Clean Washer Cold Wash Drain & Spin Hand Wash Normal PowerWash® Rinse & Spin Soak Whites Wrinkle Control
Washer Option Selections	Rinse Options Soil Level Wash Temp Water Level

Dimensions

Product Dimensions (H x W x D)	42-3/4" x 27-1/4" x 28"
Height with Lid Open 90°	51-1/2"

Reference Material

[Dimension Guide](#)

[Install Guide](#)

[Use & Care Guide](#)

[Energy Guide](#)

[Warranty](#)

Key Features & Benefits

Powerful Cleaning

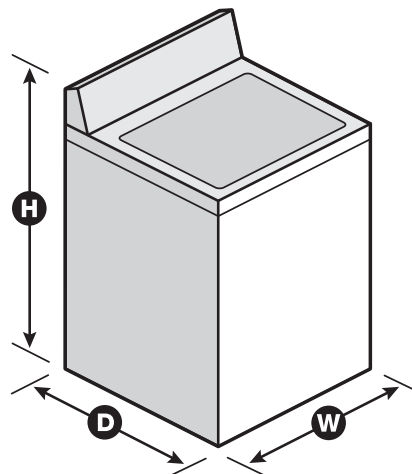
The PowerWash® cycle drives the Best Cleaning in its class* for this washer, featuring a combination of extra cleaning action and heated water to attack everyday tough stains.

PowerWash® Cycle

The PowerWash® cycle features a combination of more wash action** and heated water to drive powerful cleaning.

PowerWash® Agitator

The PowerWash® agitator tackles any load size with both efficient, concentrated cleaning to fight stubborn stains and robust wash action to help break up messes.



*Based on 16-lb load, among leading top load brands, 4.0-4.4 cu. ft. capacity agitator washers, PowerWash® cycle vs. comparable cycles and default settings. ** Compared to Normal cycle. †Visit maytag.com for warranty details. NOTE: Dimensions are for planning purposes only. For complete details, see Installation Instructions packed with product. Specifications subject to change without notice. ®/™ © 2020. All rights reserved. Printed in the U.S.A. D200104XXD. MVWC565FSpecSheetV01.