

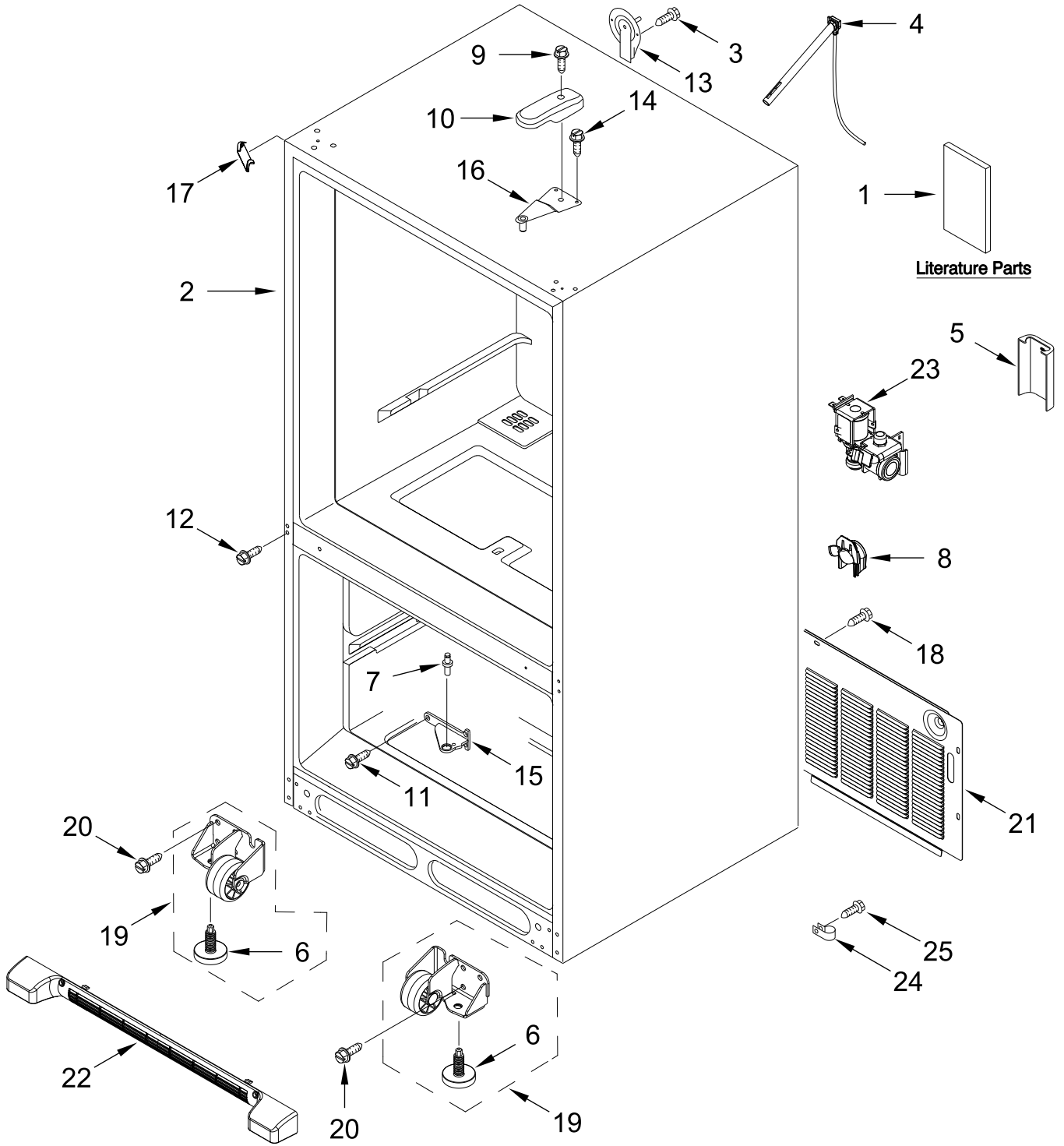


BOTTOM MOUNT REFRIGERATOR
Fingerprint Resistant

MODELS:

MBF2258FEZ04 (Stainless Steel)

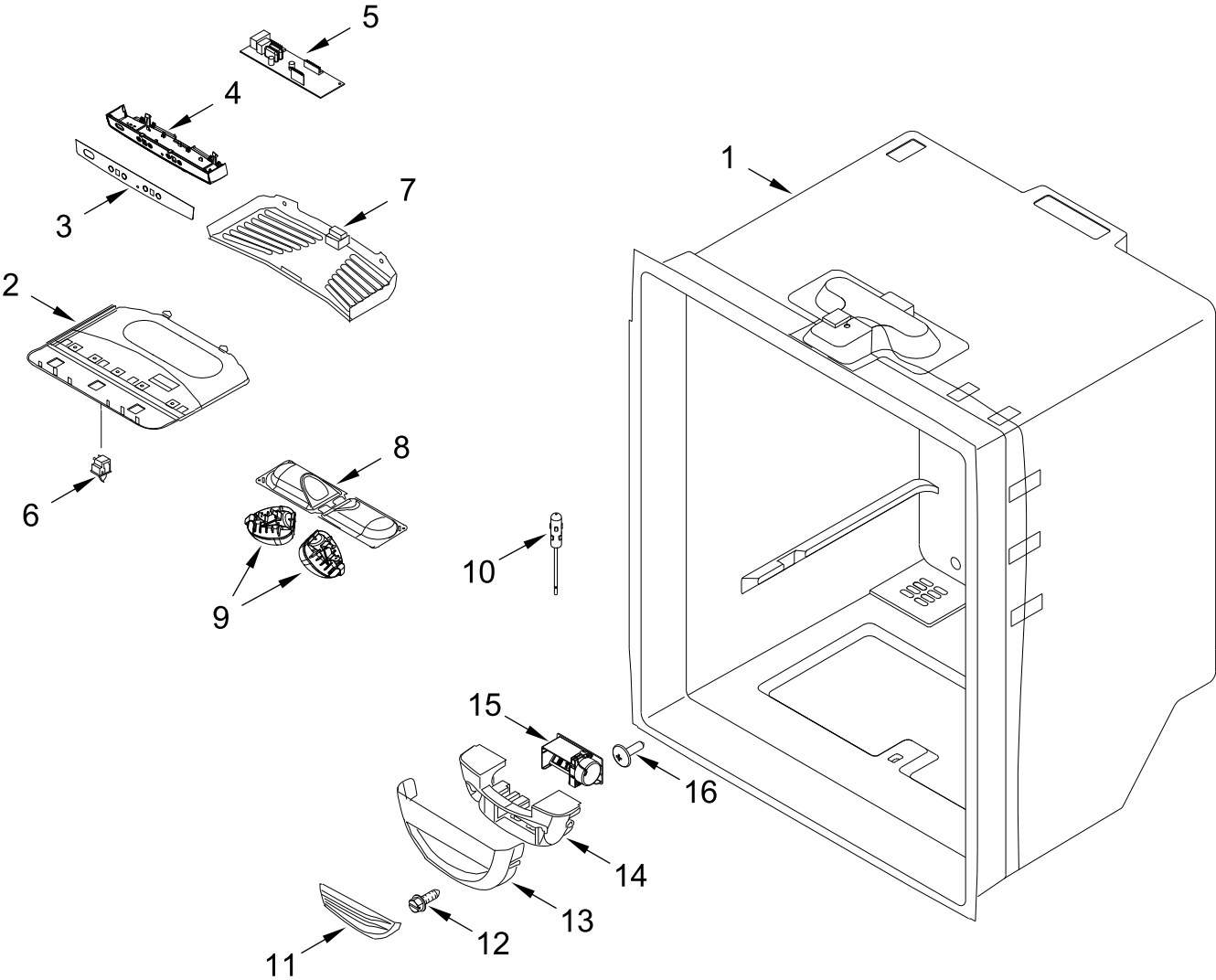
CABINET PARTS



CABINET PARTS

<u>Illus. No.</u>	<u>Part No.</u>	<u>Description</u>	<u>Illus. No.</u>	<u>Part No.</u>	<u>Description</u>	<u>Illus. No.</u>	<u>Part No.</u>	<u>Description</u>
1		Literature Parts	8	W10485986	Guide, Waterline	18	12990511	Screw
	W11296634	Use and Care Guide	9	12992602	Screw	19		Assembly, Roller
	W11306941	Energy Guide	10		Cover, Hinge		W10515763	Left Hand
	W11297588	Tech Sheet		12477601AP	Grey		W10515762	Right Hand
2		Cabinet (Not a Servicable Part)	11	12990101	Screw	20	W10709365	Screw
3	12990504	Screw	12	12990521	Screw	21	W10210979	Cover, Unit
4	W11046934	Assembly, Fill Tube (Includes Tubing, Fill Tube Elbow, Tube Insert and Clamp)	13	12726003	Cover, Water Line	22		Grille, Toe
			14	12992403	Screw		W10534160	Grey
			15		Hinge, Center	23	W10498976	Valve, Inlet
				12607103AP	Grey	24	M0108107	Clamp, Tube
5	W10208592	Cover, Valve	16	12566606ED	Hinge, Top	25	12991604	Screw
6	W10141622	Brake, Roller	17		Cover, Corner			
7	10351006	Pin, Center Hinge		12587703AP	Grey			

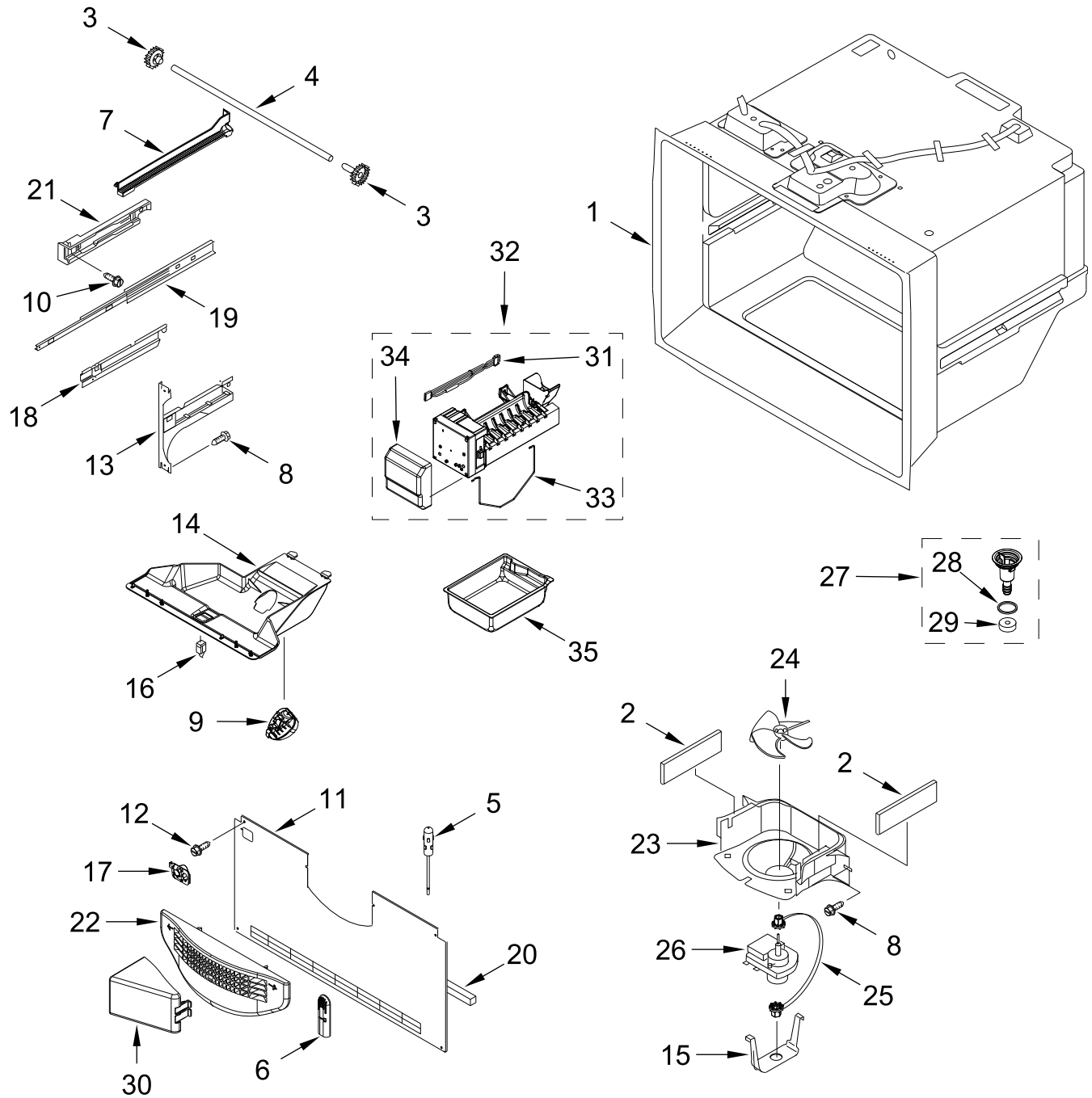
REFRIGERATOR LINER PARTS



REFRIGERATOR LINER PARTS

<u>Illus. No.</u>	<u>Part No.</u>	<u>Description</u>	<u>Illus. No.</u>	<u>Part No.</u>	<u>Description</u>	<u>Illus. No.</u>	<u>Part No.</u>	<u>Description</u>
1		Liner (Not A Serviceable Part)	9	W11251749	Light Module, LED	16		Plug, Button
2	W10464757	Module, Light	10	12791403	Thermistor		M0310343	White
3	W10593588	Overlay	11	12806801	Insert, Damper Cover			FOLLOWING PARTS NOT ILLUSTRATED
4	W10464769	Module, Control	12	12990604	Screw		W10422363	Harness, Refrigerator Control (Includes Thermistor)
5	W10503278	Control, Electronic	13	12806701	Cover, Damper			
6	W10847853	Switch, Light	14	13012402	Insulation, Damper			
7	W11132917	Cover, Light	15	W10594330	Damper, Control			
8	W10443023	Housing, Light						

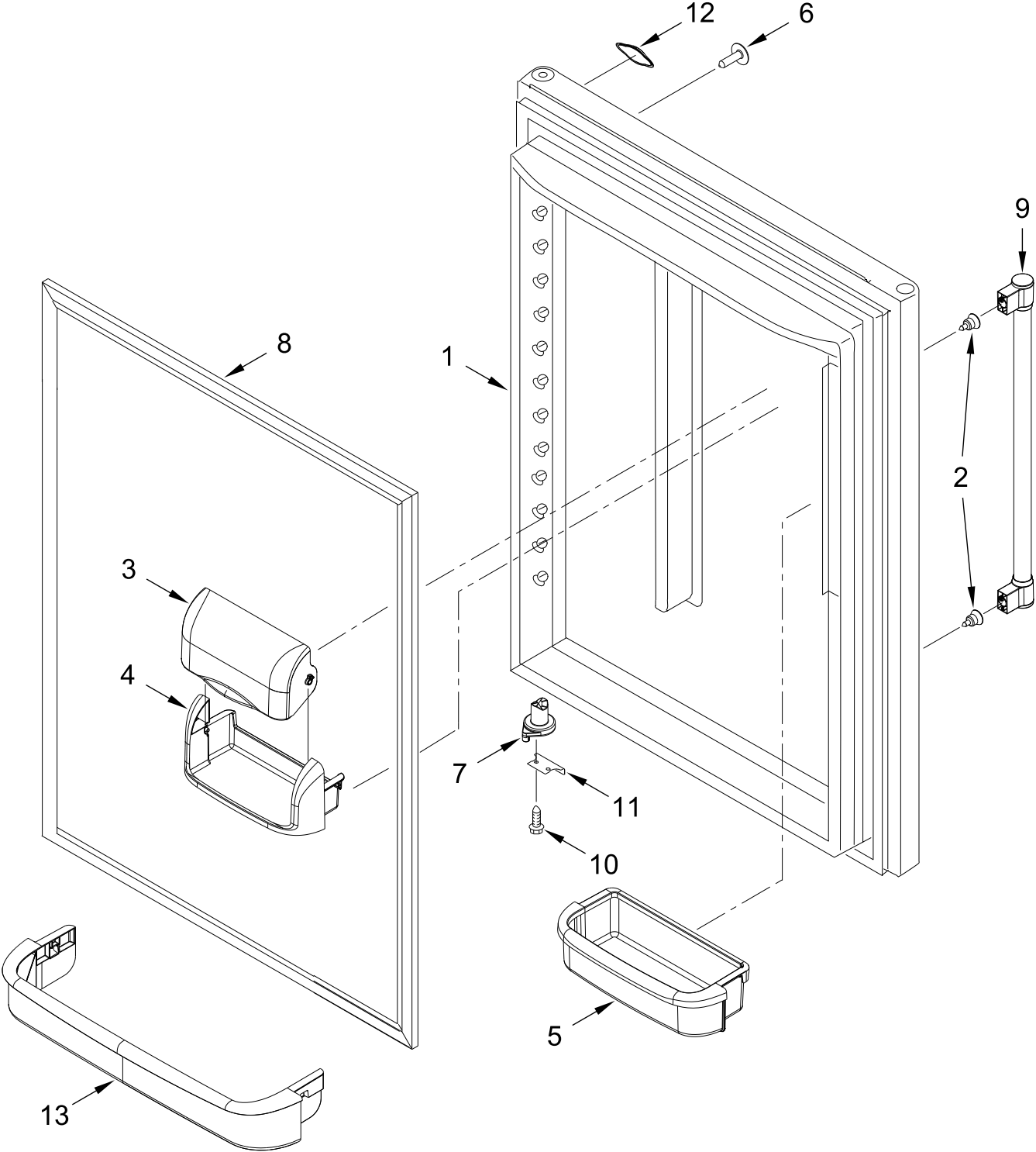
FREEZER LINER AND ICEMAKER PARTS



FREEZER LINER AND ICEMAKER PARTS

<u>Illus. No.</u>	<u>Part No.</u>	<u>Description</u>	<u>Illus. No.</u>	<u>Part No.</u>	<u>Description</u>	<u>Illus. No.</u>	<u>Part No.</u>	<u>Description</u>
1		Liner (Not A Serviceable Part)	13		Bracket, Door	23	13057901	Shroud, Evaporator Fan
2	A3189392	Gasket, Foam		W10330991	Left Hand	24	2169142	Blade, Fan
3	12002497	Gear		W10330993	Right Hand	25	W10121318	Grommet
4	W10802331	Shaft, Rack	14	W10277025	Module, Light	26	W10128551	Motor, Evaporator
5	12791409SP	Thermistor	15	13058002	Clip, Evaporator Motor	27	W10662407	Assembly, Drain Funnel
6	12815301	Cover, Thermistor	16	W10847849	Switch, Light	28	M0500703	Seal
7		Rail, Side	17	W11261524	Guide, Fill Tube	29	B8381501	Gasket, Drain
	W10516603	Left Hand	18		Cradle, Basket	30	W10157765	Diverter, Air
	W10516602	Right Hand		W10280608	Left Hand	31	W10793621	Harness, Icemaker Wire
8	12990521	Screw		W10280613	Right Hand	32	W10793298	Assembly, Icemaker (Complete)
9	W11251749	Light Module, LED	19	W10120018	Slide, Door	33	W11260635	Arm, Shut Off
10	12990501	Screw	20	A3189395	Gasket, Foam	34	W10289690	Cover, Icemaker
11	W10308415	Cover, Evaporator	21		Adapter, Slide	35	W10171529N	Pan, Ice
12	12990101	Screw		W10284684	Left Hand			
				W10284685	Right Hand			
			22	13024803	Grille, Freezer Air			

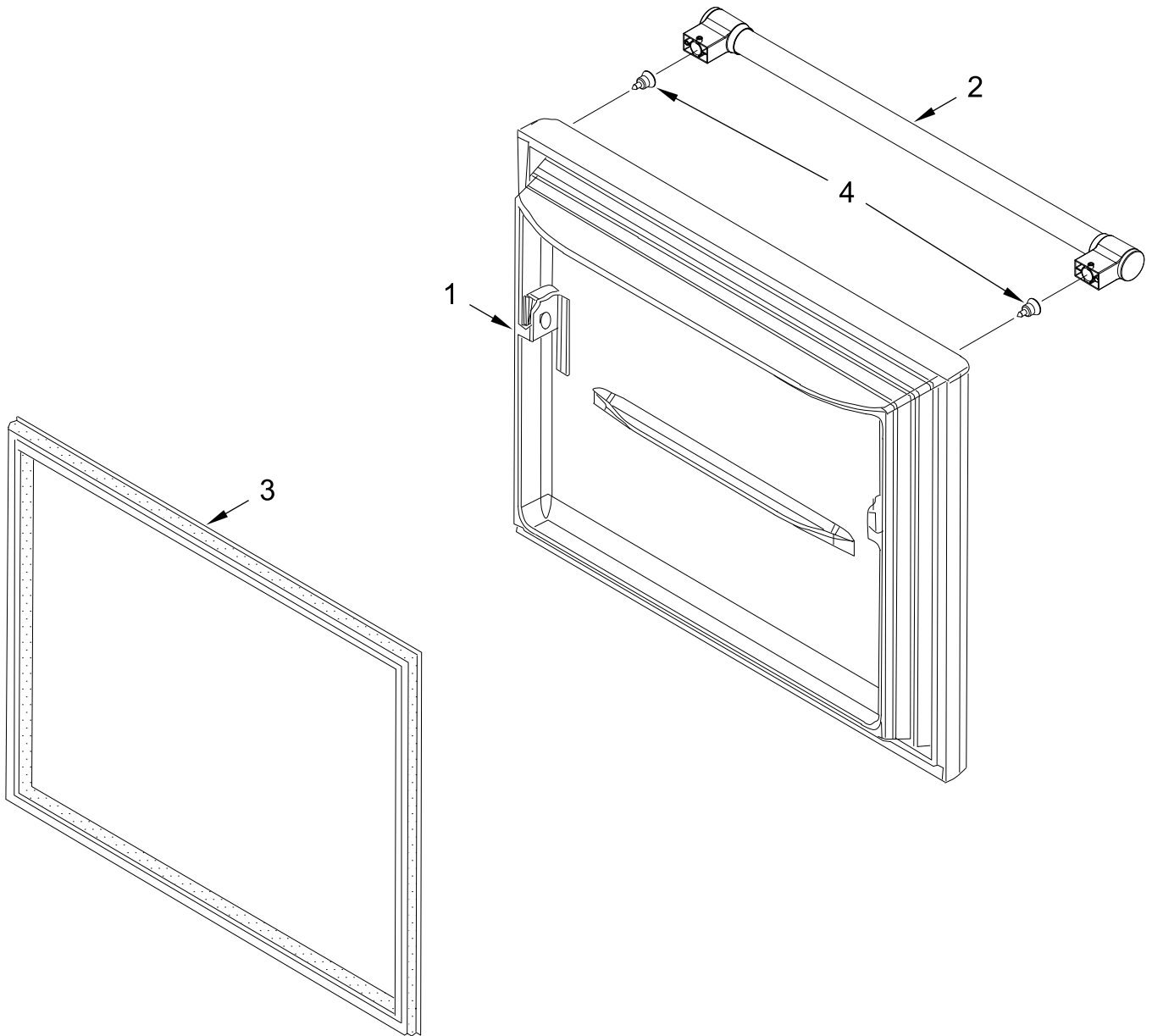
REFRIGERATOR DOOR PARTS



REFRIGERATOR DOOR PARTS

<u>Illus.</u> <u>No.</u>	<u>Part No.</u>	<u>Description</u>	<u>Illus.</u> <u>No.</u>	<u>Part No.</u>	<u>Description</u>	<u>Illus.</u> <u>No.</u>	<u>Part No.</u>	<u>Description</u>
1		Door, Refrigerator	7		Closure, Door	11		Stop, Door
	W11377159	Stainless Steel		12028505AP	Grey		10447114	Grey
2	W11328753	Screw	8		Gasket, Door	12	W10612926	Badge
3	12804701SP	Door, Dairy		W10443314	Grey	13	12557905	Retainer, Door
4	12369502SP	Tray, Dairy	9		Handle, Door			
5	W10371194	Bucket, Medium		W10838129	Stainless			
6		Plug, Button	10	12990504	Screw			
	12246610	Grey						

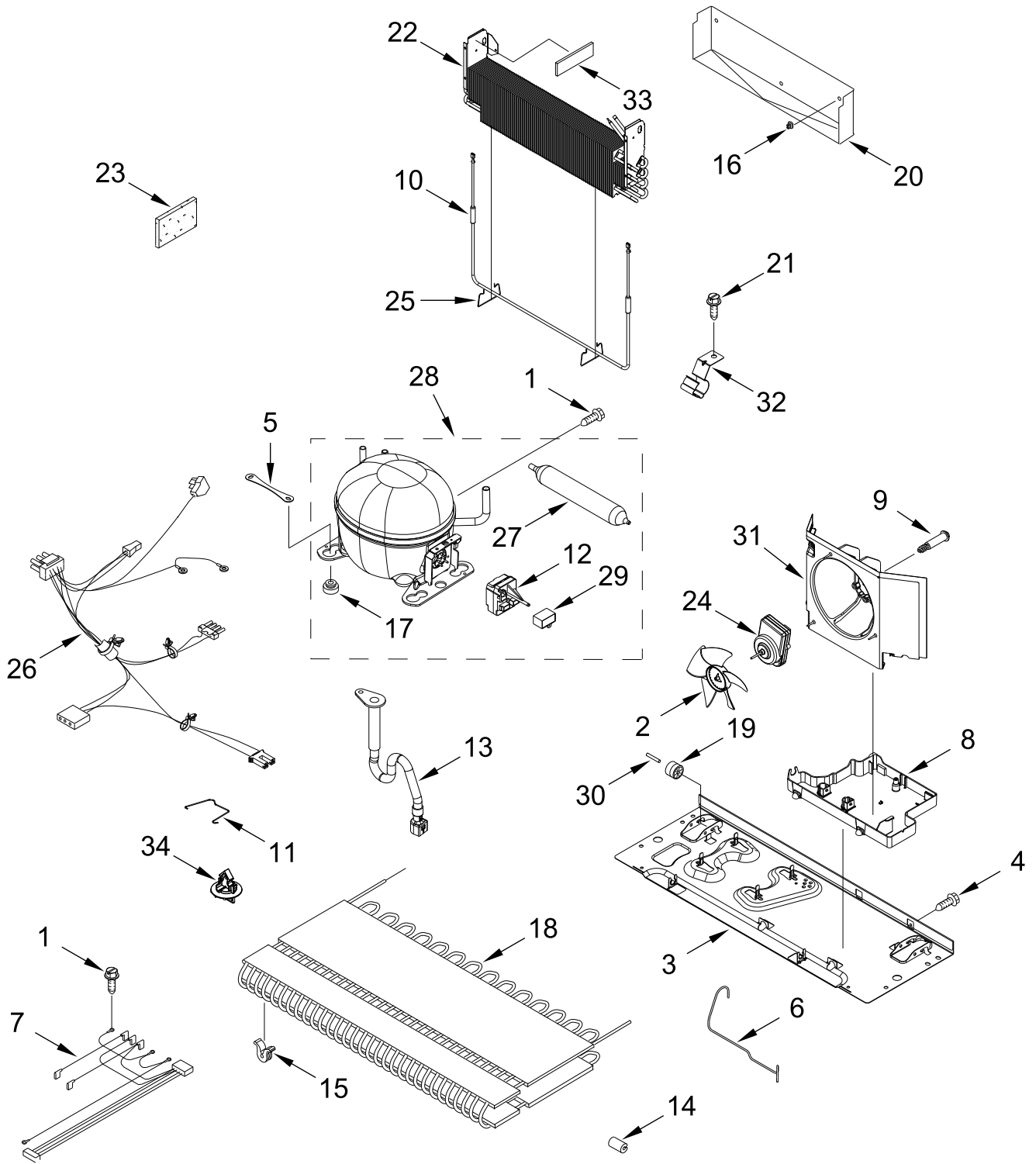
FREEZER DOOR PARTS



FREEZER DOOR PARTS

<u>Illus.</u> <u>No.</u>	<u>Part No.</u>	<u>Description</u>	<u>Illus.</u> <u>No.</u>	<u>Part No.</u>	<u>Description</u>	<u>Illus.</u> <u>No.</u>	<u>Part No.</u>	<u>Description</u>
1		Door, Freezer	2		Handle, Door	3		Gasket, Door
	W11377137	Stainless Steel		W10838129	Stainless		W10443316	Grey
						4	W11328753	Screw

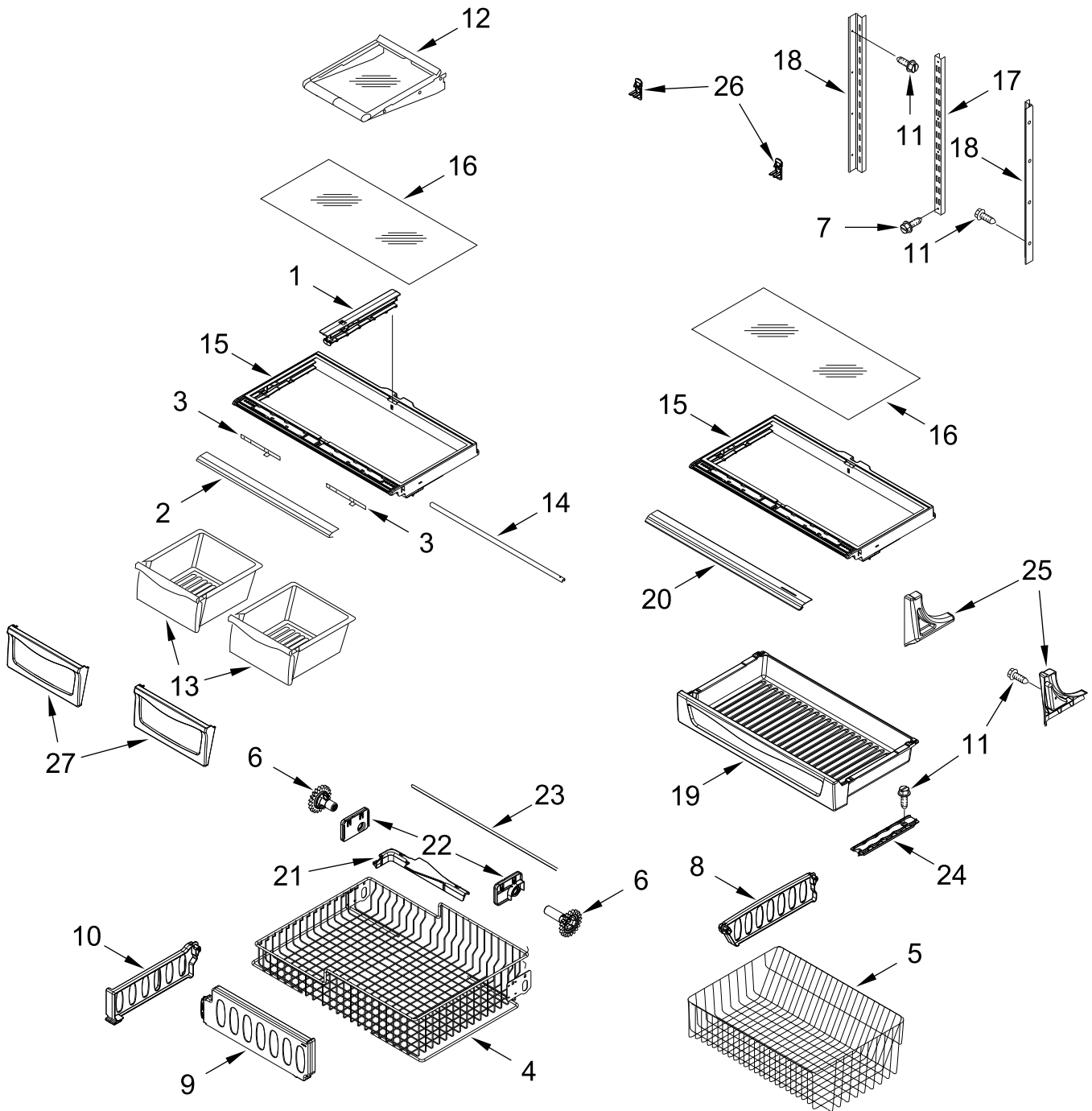
UNIT PARTS



UNIT PARTS

<u>Illus. No.</u>	<u>Part No.</u>	<u>Description</u>	<u>Illus. No.</u>	<u>Part No.</u>	<u>Description</u>	<u>Illus. No.</u>	<u>Part No.</u>	<u>Description</u>
1	12992301	Screw	17	10835903	Grommet	32	W10281329	Clip, Drier
2	12825803	Blade, Fan	18	W10346420	Condenser	33	W11244122	Gasket, Foam
3	W10480110	Basepan	19	12477102	Roller	34	W10815863	Clip, Condenser
4	12990511	Screw	20	W10292802	Tray, Drip			FOLLOWING PARTS NOT ILLUSTRATED
5	W10236396	Strap, Compressor	21	12992101	Screw			
6	W10233570	Tube, Discharge	22	W10669254	Evaporator		978025	Valve, Access (1/4")
7	W11050969	Harness, Evaporator (Includes Heater)	23	2169104	Insulation, Sound Deadening		978026	Valve, Access (5/16")
8	W10655367	Pan, Drain	24	W11373924	Motor, Condenser Fan		978027	Valve, Access (3/8")
9	W10622701	Screw	25	10428101	Clip, Heater		978029	Valve, Access (5/8")
10	12729128	Heater, Defrost	26	W11218258	Harness, Unit (Includes Power Cord)		978030	Valve, Access (3/4")
11	W10216075	Strap, Bale	27	W10177049	Drier		876764	Valve, Access (3/16")
12	W10796752	Device, Start	28	W10879296	Compressor			REFRIGERANT CHARGE
13	W10622099	Extension, Drain Tube	29	W10350564	Capacitor			5.00 oz. (R-134A)
14	2319835	Grommet, Condenser	30	12477202	Axle, Roller			
15	W10137529	Grommet, Condenser	31	W10189184	Shroud, Condenser Fan			
16	10623002	Clip, Evaporator						

SHELF PARTS



SHELF PARTS

<u>Illus. No.</u>	<u>Part No.</u>	<u>Description</u>	<u>Illus. No.</u>	<u>Part No.</u>	<u>Description</u>	<u>Illus. No.</u>	<u>Part No.</u>	<u>Description</u>
1	W10671238	Rail, Center Crisper	10	W10241046	Divider, Basket (Upper)	22		Mount, Gear
2	W10231343	Trim, Crisper					W10348259	Left Hand
3	12530805SP	Slide, Humidity Control	11	12990513	Screw		W10348260	Right Hand
4	W11115252	Basket, Freezer (Upper)	12	W11358360	Shelf, Stationary	23	W10802339	Shaft, Rack
5	W11115780	Basket, Freezer (Lower)	13	12530505SP	Pan, Crisper	24	12531901	Track, Deli Drawer
6		Gear, Spur	14	12227303WD	Brace, Crisper Cover	25		Support, Pantry
	W10474716	Left Hand	15	W10671241	Frame, Crisper		12531001	Left Hand
	W10474715	Right Hand	16	12204822	Glass, Crisper		12531002	Right Hand
7	W10215666	Screw	17	W10273463	Ladder, Center	26	12531802	Hook, Ladder
8	W10146440	Divider, Basket (Lower)	18	W10251969	Ladder, Side	27	12643702SP	Frame, Crisper Pan
9	W10311695	Divider, Basket (Upper)	19	W10328327	Drawer, Pantry			
			20	W10656986	Trim, Pantry Front			
			21	W10149389N	Lift, Bail Arm			

OPTIONAL PARTS

PAINT, TOUCH-UP (1/2OZ.)

<u>Illus. No.</u>	<u>Part No.</u>	<u>Description</u>
	72017	White
	72032	Black
	4392899	Biscuit/Bisque
	W10134625	Apollo Grey

PAINT, PRESSURIZED SPRAY (12 OZ.)

<u>Illus. No.</u>	<u>Part No.</u>	<u>Description</u>
	350942	White Primer
	350930	White
	350939	Enamel, Black
	4392901	Biscuit/Bisque

PAINT, BULK (1 QT.)

<u>Illus. No.</u>	<u>Part No.</u>	<u>Description</u>
	799344	White (Uncut)
	4392900	Biscuit/Bisque

MISCELLANEOUS

<u>Illus. No.</u>	<u>Part No.</u>	<u>Description</u>
	212643	Sealer, Gum (4 Feet)
	479502	Tape, Vinyl (3/4 x 108")
	505587	Sealer, Mastic (1 Qt)
	503695	Cork, Sealer
	542638	Grease, Silicone (1/2 Oz.)
	542639	Cement, Alumilastic (1 1/4 Oz.)
	799833	Kit, Evaporator Repair (Aluminum Epoxy)
	833938	Kit, Terminal Connector
	8003RP	Kit, Water Inlet

TORX SCREW WRENCH

<u>Illus. No.</u>	<u>Part No.</u>	<u>Description</u>
	1117510	Torx Key

ACCESSORIES

<u>Illus. No.</u>	<u>Part No.</u>	<u>Description</u>
	31462	Cleaner, Stainless Steel