



# 18 cu. ft. Top-Freezer Refrigerator

WRT318FMD



Monochromatic Stainless Steel  
WRT318FMDM

## Also available in:

- White **WRT318FMDW**
- Black **WRT318FMDB**

## Capacity

Total Capacity	18 cu. ft.
Refrigerator Capacity	13 cu. ft.
Freezer Capacity	5 cu. ft.

## General Features & Properties

Electronic Temperature Controls	
Freezer Temperature Controls	
#1 Selling Appliance Brand in the U.S.A.*	

## Electrical Details

Amps	6.5
Volts	115

## Technical Details

Refrigerator Type	Top-Freezer
Number of Doors	2
Number of Interior Refrigerator Shelves	3
Number of Refrigerator Door Bins	3 Fixed
Number of Interior Freezer Shelves	1
Number of Freezer Door Bins	2 Fixed
Lighting Type	Incandescent
Ice Maker	Factory Installed
Ice Maker Location	Freezer
Dispenser Type	N/A

## Dimensions

Product Dimensions (H x W x D)	65-7/8" x 29-3/4" x 33-1/2"
Depth with Door Open 90°	59-3/4"
Cutout Dimensions	Allow extra 1/2" on sides and top Allow extra 1" on rear

## Reference Material

- [Dimension Guide](#)
- [Install Guide](#)
- [Use & Care Guide](#)
- [Energy Guide](#)
- [Warranty](#)

## Key Features & Benefits

### Flexi-Slide™ Bin

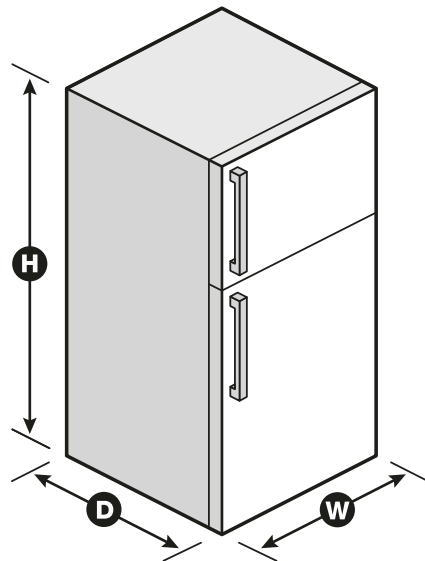
Make space for tall items with the bin that quickly and easily moves side to side.

### Quiet Cooling

Keep noise down in the kitchen with quiet cooling.

### Factory-Installed Icemaker

Keep plenty of ice on hand with this pre-installed icemaker.



\*Based on 12-month average of unit sales. Refrigeration, Cooking, Dishwashers and Laundry appliances. TraQline 2018. NOTE: Dimensions are for planning purposes only. For complete details, see Installation Instructions packed with product. Specifications subject to change without notice. ©/™ © 2020. All rights reserved. Printed in the U.S.A. D200052XXC. WRT318FMD SPECSHEETV01.