



26 cu. ft. Side-by-Side Refrigerator

WRS586FIE



Monochromatic Stainless Steel
WRS586FIEM

Capacity

Total Capacity	26 cu. ft.
Refrigerator Capacity	17 cu. ft.
Freezer Capacity	9 cu. ft.

General Features & Properties

Adjustable Gallon Door Bins
ENERGY STAR® Certified
LED Interior Lighting
Hidden Hinges
FreshFlow™ Air Filter
Exterior Ice and Water with EveryDrop® Water Filter

Electrical Details

Amps	15 or 20
Volts	115

Certifications

ADA Compliant	Yes
ENERGY STAR® Certified	Yes

Technical Details

Refrigerator Type	Side-by-Side
Number of Doors	2
Number of Interior Refrigerator Shelves	4
Number of Refrigerator Door Bins	4 Adjustable
Number of Interior Freezer Shelves	4
Number of Freezer Door Bins	1 Fixed, 3 Adjustable
Lighting Type	LED
Ice Maker	Factory Installed
Ice Maker Location	Freezer
Dispenser Type	Exterior Ice and Water

Dimensions

Product Dimensions (H x W x D)	69" x 36" x 34-7/8"
Depth with Door Open 90°	51-1/8"
Cutout Dimensions	Allow extra 1/2" on sides and top Allow extra 1" on rear

Reference Material

- [Dimension Guide](#)
- [Use & Care Guide](#)
- [Energy Guide](#)
- [Warranty](#)

Key Features & Benefits

In-Door-Ice® Storage

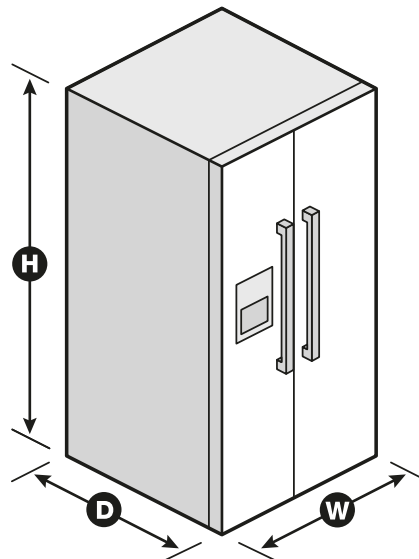
Have your icemaker and more shelf space too, with the icemaker and bin moved to the door freeing up an extra, full shelf in the freezer.

Frameless Glass Shelves

Store more items on each shelf with wall-to-wall frameless glass shelves, which offer greater storage ability.

Adaptive Defrost

Adaptive defrost monitors the freezer environment and runs the cycle only when necessary.



NOTE: Dimensions are for planning purposes only. For complete details, see Installation Instructions packed with product. Specifications subject to change without notice.

®/™ © 2020. All rights reserved. Printed in the U.S.A. D200052XXC. WRS586FIESPECSHEETV01.