



# 20 cu. ft. French Door Refrigerator

## WRF550CDH



Fingerprint-Resistant Stainless  
WRF550CDHZ

### Capacity

Total Capacity	20 cu. ft.
Refrigerator Capacity	16 cu. ft.
Freezer Capacity	5 cu. ft.

### General Features & Properties

Humidity-Controlled Crispers

Fingerprint Resistant

Two-Tier Freezer Storage

Spillproof Glass Shelves

Factory-Installed Icemaker

Exterior Ice and Water Dispenser with EveryDrop® Filtration

LED Interior Lighting

Fast Cool Option

Adaptive Defrost

### Electrical Details

Amps	20
Volts	115

### Technical Details

Refrigerator Type	French Door
Number of Doors	3
Number of Interior Refrigerator Shelves	5
Number of Refrigerator Door Bins	2 Adjustable, 4 Fixed
Number of Interior Freezer Shelves	3 Plastic
Lighting Type	LED
Ice Maker	Factory Installed
Ice Maker Location	Refrigerator
Dispenser Type	Exterior Ice and Water

### Dimensions

Product Dimensions (H x W x D)	70-1/8" x 35-7/8" x 30-3/4"
Depth with Door Open 90°	43"
Cutout Dimensions	Allow extra 1/2" on sides and top Allow extra 1" on rear

### Reference Material

[Dimension Guide](#)

[Use & Care Guide](#)

[Energy Guide](#)

[Warranty](#)

### Key Features & Benefits

#### Counter Depth Design

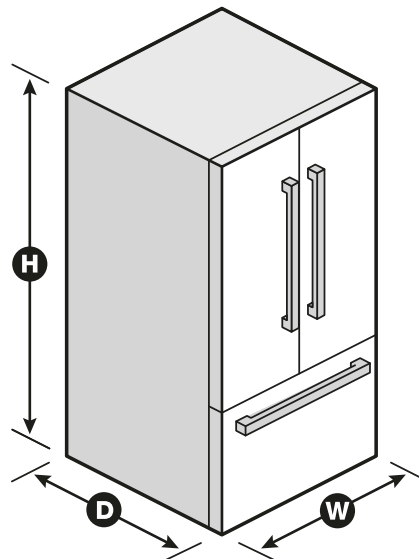
Add additional kitchen space with styling that fits virtually flush with the countertop.

#### Adjustable Gallon Door Bins

Move these adjustable bins anywhere in the door for increased loading flexibility.

#### Temperature-Controlled Full-Width Drawer

Store wide items like party platters and sheet cakes or preserve large amounts of meat and cheese at just the right temperature.



NOTE: Dimensions are for planning purposes only. For complete details, see Installation Instructions packed with product. Specifications subject to change without notice.

®/™ © 2020. All rights reserved. Printed in the U.S.A. D200052XXC. WRF550CDHSPECSHEETV01.