



25 cu. ft. French Door Refrigerator

WRF535SWH



Fingerprint-Resistant Stainless
WRF535SWHZ

Also available in:

- White **WRF535SWHW**
- Black **WRF535SWHB**
- Fingerprint-Resistant Black Stainless **WRF535SWHV**

Capacity

Total Capacity	25 cu. ft.
Refrigerator Capacity	18 cu. ft.
Freezer Capacity	7 cu. ft.

General Features & Properties

- Full-Width, Temperature-Controlled Drawer
- Frameless Glass Shelves
- Gallon Door Bins
- Accu-Chill™ Temperature Management System
- Adaptive Defrost
- FreshFlow™ Produce Preserver
- LED Interior Lighting
- Designed, Engineered and Assembled in the U.S.A.

ENERGY STAR® Certified

Electrical Details

Amps	20
Volts	115

Certifications

ENERGY STAR® Certified	Yes
------------------------	-----

Technical Details

Refrigerator Type	French Door
Number of Doors	3
Number of Interior Refrigerator Shelves	5
Number of Refrigerator Door Bins	2 Fixed, 4 Adjustable
Number of Interior Freezer Shelves	1 Wire, 1 Plastic
Lighting Type	LED
Ice Maker	Factory Installed
Ice Maker Location	Freezer
Dispenser Type	Interior Water

Dimensions

Product Dimensions (H x W x D)	70-1/8" x 35-5/8" x 35-1/2"
Depth with Door Open 90°	48-1/8"
Cutout Dimensions	Allow extra 1/2" on sides and top Allow extra 1" on rear

Reference Material

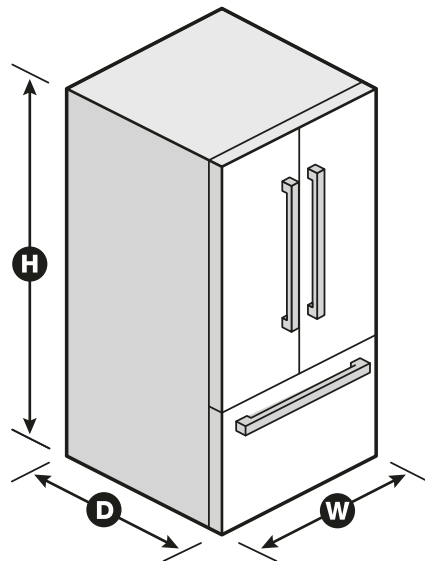
- [Dimension Guide](#)
- [Use & Care Guide](#)
- [Energy Guide](#)
- [Warranty](#)

Key Features & Benefits

Fingerprint Resistant
Resists fingerprints and smudges with an easy-to-clean finish.

Humidity-Controlled Crispers
Store fruits and veggies in their ideal environment.

Interior Water Dispenser with EveryDrop® Water Filtration
Easily access filtered water with the interior dispenser.



NOTE: Dimensions are for planning purposes only. For complete details, see Installation Instructions packed with product. Specifications subject to change without notice.

®/™ © 2020. All rights reserved. Printed in the U.S.A. D200052XXC. WRF535SWHSPECSHEETV01.