



5.0 cu. ft. Front Control Gas Range

WEG515S0F



Stainless Steel
WEG515S0FS

Also available in:

- White **WEG515S0FW**
- Black **WEG515S0FB**
- Fingerprint-Resistant Black Stainless **WEG515S0FV**

Capacity

Oven 5.0 cu. ft.

General Features & Properties

Adjustable Self-Cleaning

Temperature Sensor

5.0 cu. ft. Capacity

AccuSimmer® Burner

Keep Warm

Closed Door Broiling

Delay Cook

Sabbath Mode

Star-K Certified

Electrical Details

Amps 15

Volts 120

Certifications

ADA Compliant Yes

Star-K Certified/Kosher Yes

Technical Details

Fuel Type Gas

Range Type Slide-In Single Oven

Oven Cooking System Thermal

Number of Oven Racks 2

Cleaning Type Adjustable Self-Cleaning

Number of Burners 4

Burner Type Sealed Burners

Burner Power (1) 5000 BTU
(1) 9500 BTU
(2) 15,000 BTU

Dimensions

Product Dimensions (H x W x D) 37" x 29-7/8" x 28-15/16"

Depth with Door Open 90° 47-3/8"

Cutout Width 30-1/8"

Reference Material

[Dimension Guide](#)

[Install Guide](#)

[Use & Care Guide](#)

[Warranty](#)

Key Features & Benefits

Frozen Bake™ Technology

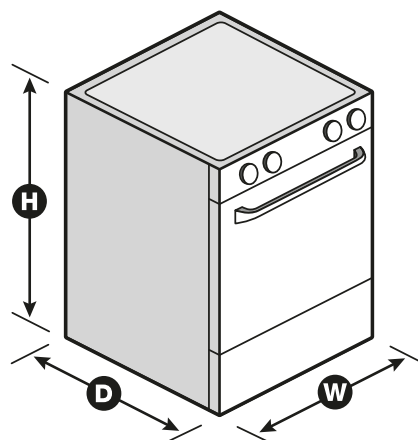
Cook frozen favorites faster with preprogrammed settings that automatically adjust cooking times.

SpeedHeat™ Burners

Sear and boil quickly with the high temperatures of two 15,000-BTU burners.

Edge-to-Edge Cast-Iron Grates

Maximize space with cast-iron grates that extend across the entire cooktop, providing flexibility to place pots and pans anywhere.



NOTE: Dimensions are for planning purposes only. For complete details, see Installation Instructions packed with product. Specifications subject to change without notice.

®/™ © 2020. All rights reserved. Printed in the U.S.A. D200052XXB. WEG515S0FSPECSHEETV01.