



# 4.8 cu. ft. Front Control Electric Range

WEE510S0F



Stainless Steel  
WEE510S0FS

### Also available in:

- White **WEE510S0FW**
- Black **WEE510S0FB**
- Fingerprint-Resistant Black Stainless **WEE510S0FV**

### Capacity

|      |             |
|------|-------------|
| Oven | 4.8 cu. ft. |
|------|-------------|

### General Features & Properties

|                                 |
|---------------------------------|
| Adjustable Self-Cleaning        |
| Easy-Wipe Ceramic Glass Cooktop |
| Temperature Sensor              |
| 4.8 cu. ft. Capacity            |
| Keep Warm                       |
| Closed Door Broiling            |
| Delay Cook                      |
| Sabbath Mode                    |
| Star-K Certified                |

### Electrical Details

|       |         |
|-------|---------|
| Amps  | 40      |
| Volts | 120/240 |

### Certifications

|                         |     |
|-------------------------|-----|
| ADA Compliant           | Yes |
| Star-K Certified/Kosher | Yes |

### Technical Details

|                      |                                 |
|----------------------|---------------------------------|
| Fuel Type            | Electric                        |
| Range Type           | Slide-In Single Oven            |
| Oven Cooking System  | Thermal                         |
| Number of Oven Racks | 2                               |
| Cleaning Type        | Adjustable Self-Cleaning        |
| Number of Elements   | 4                               |
| Element Type         | Radiant                         |
| Element Size/Power   | (2) 6" 1200W<br>(2) 9" 6" 3000W |

### Dimensions

|                                |                           |
|--------------------------------|---------------------------|
| Product Dimensions (H x W x D) | 37" x 29-7/8" x 28-15/16" |
| Depth with Door Open 90°       | 47-3/8"                   |
| Cutout Width                   | 30-1/8"                   |

### Reference Material

- [Dimension Guide](#)
- [Install Guide](#)
- [Use & Care Guide](#)
- [Warranty](#)

## Key Features & Benefits

#### Frozen Bake™ Technology

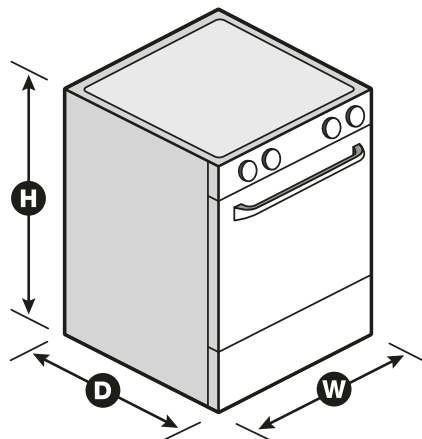
Cook frozen favorites faster with preprogrammed settings that automatically adjust cooking times.

#### Guided Cooktop Controls

The knobless design uses up/down arrows to select temperature for heat control without the guesswork.

#### FlexHeat™ Dual Radiant Elements

Get two elements in one with a 6" inner ring that's great for smaller pots and pans and a 9" outer ring that makes room for larger cookware.



NOTE: Dimensions are for planning purposes only. For complete details, see Installation Instructions packed with product. Specifications subject to change without notice.

®/™ © 2020. All rights reserved. Printed in the U.S.A. D200052XXB. WEE510S0FSPECSHEETV01.