



---

## 30" (76.2 CM) RANGE HOOD

Installation Instructions and Use & Care Guide

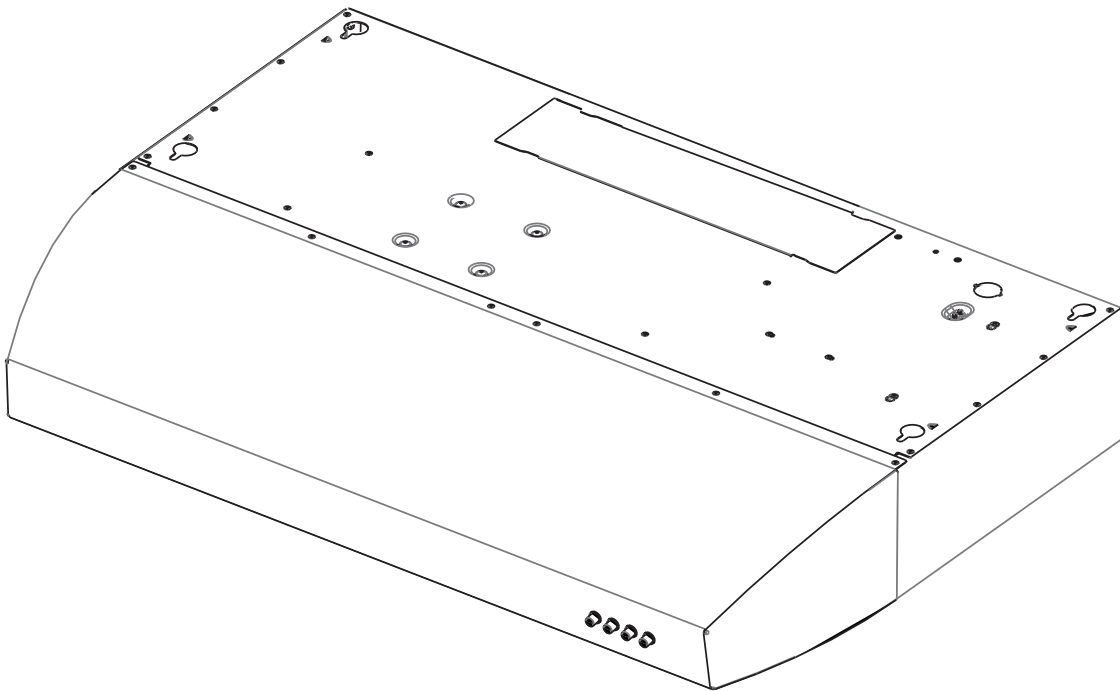
---

## HOTTE DE 30" (76,2 CM)

Instructions d'installation et Guide d'utilisation et d'entretien

---

Table of Contents/Table des matières ..... 2



**IMPORTANT: READ AND SAVE THESE INSTRUCTIONS.  
FOR RESIDENTIAL USE ONLY.**

**IMPORTANT : LIRE ET CONSERVER CES INSTRUCTIONS.  
POUR UTILISATION RÉSIDENNELLE UNIQUEMENT.**



---

## TABLE OF CONTENTS

<b>RANGE HOOD SAFETY</b> .....	<b>3</b>
<b>INSTALLATION REQUIREMENTS</b> .....	<b>5</b>
Tools and Parts.....	5
Location Requirements .....	5
Venting Requirements .....	6
Electrical Requirements .....	8
<b>INSTALLATION INSTRUCTIONS</b> .....	<b>8</b>
Prepare Location .....	8
Install Range Hood.....	10
Make Electrical Connection .....	11
Complete Installation .....	11
<b>RANGE HOOD USE</b> .....	<b>12</b>
Range Hood Controls .....	12
<b>RANGE HOOD CARE</b> .....	<b>12</b>
Cleaning .....	12
<b>WIRING DIAGRAM</b> .....	<b>13</b>
<b>ASSISTANCE OR SERVICE</b> .....	<b>14</b>
In the U.S.A. ....	14
In Canada .....	14
Accessories .....	14

---

## TABLE DES MATIÈRES

<b>SÉCURITÉ DE LA HOTTE</b> .....	<b>16</b>
<b>EXIGENCES D'INSTALLATION</b> .....	<b>18</b>
Outils et pièces.....	18
Exigences d'emplacement.....	18
Exigences concernant l'évacuation.....	19
Spécifications électriques .....	22
<b>INSTRUCTIONS D'INSTALLATION</b> .....	<b>22</b>
Préparation de l'emplacement.....	22
Installation de la hotte.....	24
Raccordement électrique.....	26
Terminer l'installation.....	26
<b>UTILISATION DE LA HOTTE</b> .....	<b>26</b>
Commandes de la hotte de cuisinière.....	26
<b>ENTRETIEN DE LA HOTTE</b> .....	<b>27</b>
Nettoyage .....	27
<b>SCHÉMA DE CÂBLAGE</b> .....	<b>28</b>
<b>ASSISTANCE OU DÉPANNAGE</b> .....	<b>29</b>
Aux É.-U. ....	29
Au Canada.....	29
Accessoires .....	29

# RANGE HOOD SAFETY

## Your safety and the safety of others are very important.

We have provided many important safety messages in this manual and on your appliance. Always read and obey all safety messages.



This is the safety alert symbol.

This symbol alerts you to potential hazards that can kill or hurt you and others.

All safety messages will follow the safety alert symbol and either the word "DANGER" or "WARNING."

These words mean:

 **DANGER**

You can be killed or seriously injured if you don't immediately follow instructions.

 **WARNING**

You can be killed or seriously injured if you don't follow instructions.

All safety messages will tell you what the potential hazard is, tell you how to reduce the chance of injury, and tell you what can happen if the instructions are not followed.

# IMPORTANT SAFETY INSTRUCTIONS

**WARNING:** TO REDUCE THE RISK OF FIRE, ELECTRIC SHOCK, OR INJURY TO PERSONS, OBSERVE THE FOLLOWING:

- Use this unit only in the manner intended by the manufacturer. If you have questions, contact the manufacturer.
- Before servicing or cleaning the unit, switch power off at service panel and lock the service disconnecting means to prevent power from being switched on accidentally. When the service disconnecting means cannot be locked, securely fasten a prominent warning device, such as a tag, to the service panel.
- Installation work and electrical wiring must be done by qualified person(s) in accordance with all applicable codes and standards, including fire-rated construction.
- Do not operate any fan with a damaged cord or plug. Discard fan or return to an authorized service facility for examination and/or repair.
- Sufficient air is needed for proper combustion and exhausting of gases through the flue (chimney) of fuel burning equipment to prevent backdrafting. Follow the heating equipment manufacturer's guideline and safety standards such as those published by the National Fire Protection Association (NFPA), the American Society for Heating, Refrigeration and Air Conditioning Engineers (ASHRAE), and the local code authorities.
- When cutting or drilling into wall or ceiling, do not damage electrical wiring and other hidden utilities.
- Ducted fans must always be vented outdoors.

**CAUTION:** For general ventilating use only. Do not use to exhaust hazardous or explosive materials and vapors.

**CAUTION:** To reduce risk of fire and to properly exhaust air, be sure to duct air outside - do not vent exhaust air into spaces within walls or ceilings, attics or into crawl spaces, or garages.

**WARNING:** TO REDUCE THE RISK OF FIRE, USE ONLY METAL DUCTWORK.

**WARNING:** TO REDUCE THE RISK OF A RANGE TOP GREASE FIRE:

- Never leave surface units unattended at high settings. Boilovers cause smoking and greasy spillovers that may ignite. Heat oils slowly on low or medium settings.
- Always turn hood ON when cooking at high heat or when flambeing food (i.e. Crepes Suzette, Cherries Jubilee, Peppercorn Beef Flambé).
- Clean ventilating fans frequently. Grease should not be allowed to accumulate on fan or filter.
- Use proper pan size. Always use cookware appropriate for the size of the surface element.

**WARNING:** TO REDUCE THE RISK OF INJURY TO PERSONS IN THE EVENT OF A RANGE TOP GREASE FIRE, OBSERVE THE FOLLOWING:<sup>a</sup>

- SMOTHER FLAMES with a close fitting lid, cookie sheet, or metal tray, then turn off the burner. BE CAREFUL TO PREVENT BURNS. If the flames do not go out immediately, EVACUATE AND CALL THE FIRE DEPARTMENT.
- NEVER PICK UP A FLAMING PAN - you may be burned.
- DO NOT USE WATER, including wet dishcloths or towels - a violent steam explosion will result.
- Use an extinguisher ONLY if:
  - You know you have a class ABC extinguisher, and you already know how to operate it.
  - The fire is small and contained in the area where it started.
  - The fire department is being called.
  - You can fight the fire with your back to an exit.

<sup>a</sup>Based on "Kitchen Fire Safety Tips" published by NFPA.

- **WARNING:** To reduce the risk of fire or electrical shock, do not use this fan with any solid-state speed control device.

## READ AND SAVE THESE INSTRUCTIONS

# INSTALLATION REQUIREMENTS

## Tools and Parts

Gather the required tools and parts before starting installation. Read and follow the instructions provided with any tools listed here.

### Tools needed

- Drill
- 1<sup>1</sup>/<sub>4</sub>" (3.0 cm) drill bit
- 1/8" (3.0 mm) drill bit for pilot holes
- Pencil
- Wire stripper or utility knife
- Tape measure or ruler
- Caulking gun and weatherproof caulking compound
- Flat-blade screwdriver
- Phillips screwdriver
- Saber or keyhole saw
- Vent clamps
- Metal snips
- Compass or 8" (20.3 cm) circle template

### Parts supplied

Remove parts from package. Check that all parts are included.

- 2 - Metal filters
- 3 - 3.5 x 9.5 mm damper screws
- 4 - 4.5 x 13 mm mounting screws
- 2 - 3.5 x 9.5 mm mounting top/rear exhaust cover
- Top/rear exhaust cover
- 3<sup>1</sup>/<sub>4</sub>" x 10" (8.3 x 25.4 cm) damper/vent connector
- T-20 Torx®† adapter

### Parts needed

- 3<sup>1</sup>/<sub>4</sub>" x 10" (8.3 x 25.4 cm) or 6" (15.2 cm) or larger round metal venting
- 6" (15.2 cm) or larger round damper, if using 6" (15.2 cm) or larger round vent system
- 3<sup>1</sup>/<sub>4</sub>" x 10" (8.3 x 25.4 cm) to 6" (15.2 cm) or larger diameter transition piece if using 6" (15.2 cm) or larger diameter round vent system.
- 3 - UL listed wire connectors
- 1/2" (12.7 mm) UL Listed or CSA approved strain relief

### For cabinets with recessed bottoms:

- Two 2" (5.1 cm) wide filler strips. Length and thickness determined by recess dimensions.
- Four flat head wood screws or machine screws with washers and nuts (to attach filler strips).

## Location Requirements

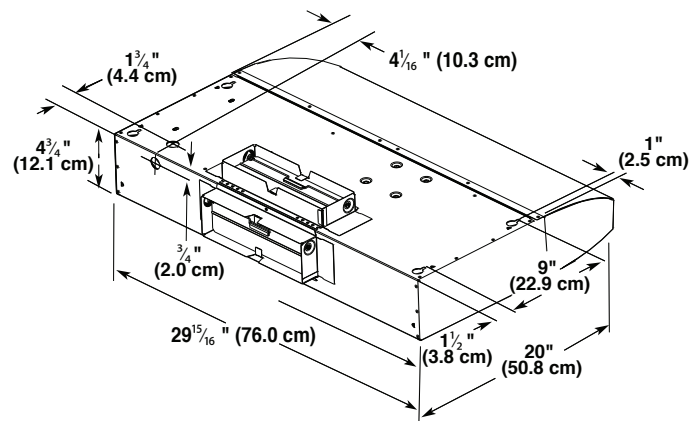
**IMPORTANT:** Observe all governing codes and ordinances.

- It is the installer's responsibility to comply with installation clearances specified on the model/serial rating plate. The model/serial rating plate is located inside the range hood on the left wall.
- Range hood location should be away from strong draft areas, such as windows, doors and strong heating vents.
- Cabinet opening dimensions that are shown must be used. Given dimensions provide minimum clearance. Consult the cooktop/range manufacturer installation instructions before making any cutouts.
- Grounded electrical supply is required. See "Electrical Requirements" section.
- The hood is factory-set for vented installations.
- All openings in ceiling and wall where range hood will be installed must be sealed.

### For Mobile Home Installations

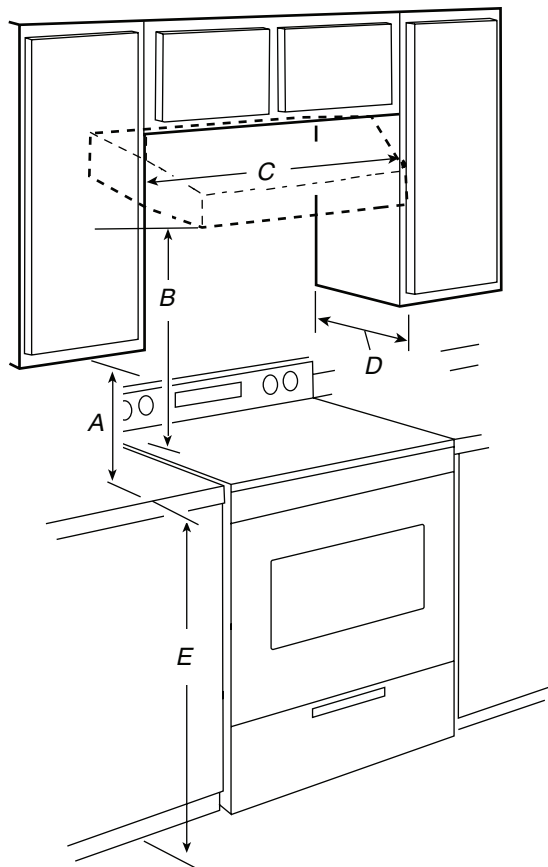
The installation of this range hood must conform to the Manufactured Home Construction Safety Standards, Title 24 CFR, Part 328 (formerly the Federal Standard for Mobile Home Construction and Safety, title 24, HUD, Part 280) or when such standard is not applicable, the standard for Manufactured Home Installation 1982 (Manufactured Home Sites, Communities and Setups) ANSI A225.1/NFPA 501A\*, or latest edition, or with local codes.

## Product Dimensions



†®TORX is a registered trademark of Acument Intellectual Properties, LLC.

## Installation Clearances



- A. 18" (45.7 cm) min. clearance - upper cabinet to countertop
- B. 24" (61.0 cm) min. for electric cooking surfaces  
27" (68.6 cm) min. for gas cooking surfaces  
30" (76.2 cm) suggested max. - bottom of range hood to cooking surface
- C. 30" (76.2 cm) min. cabinet opening width
- D. 13" (33.0 cm) cabinet depth
- E. 36" (91.4 cm) base cabinet height

## Venting Requirements

- Vent system must terminate to the outdoors.
- Do not terminate the vent system in an attic or other enclosed area.
- Do not use a 4" (10.2 cm) laundry-type wall cap.
- Use a 6" (15.2 cm) or larger round metal vent or a 3<sup>1</sup>/<sub>4</sub>" x 10" (8.3 x 25.4 cm) rectangular metal vent. Rigid metal vent is recommended. Plastic or metal foil vent is not recommended.
- The length of vent system and number of elbows should be kept to a minimum to provide efficient performance.

### For the most efficient and quiet operation:

- Use no more than three 90° elbows.
- Make sure there is a minimum of 24" (61 cm) of straight vent between the elbows if more than 1 elbow is used.
- Do not install 2 elbows together.
- Use clamps to seal all joints in the vent system.
- The vent system must have a damper. If roof or wall cap has a damper, do not use damper supplied with the range hood.
- Use caulking to seal exterior wall or roof opening around the cap.

## Cold Weather Installations

An additional back draft damper should be installed to minimize backward cold air flow and a thermal break should be installed to minimize conduction of outside temperatures as part of the vent system. The damper should be on the cold air side of the thermal break.

The break should be as close as possible to where the vent system enters the heated portion of the house.

## Makeup Air

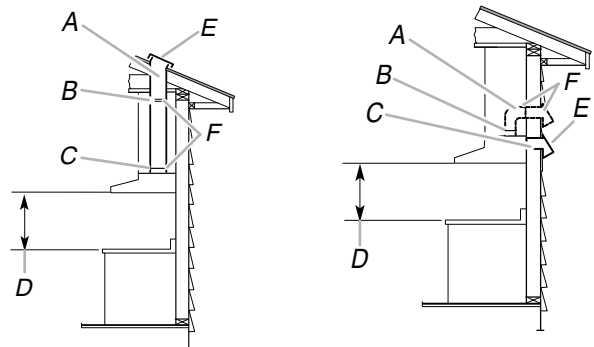
Local building codes may require the use of make up air systems when using ventilation systems greater than specified CFM of air movement. The specified CFM varies from locale to locale. Consult your HVAC professional for specific requirements in your area.

## Venting Methods

Vent system can terminate either through the roof or wall. Use 3<sup>1</sup>/<sub>4</sub>" x 10" (8.3 x 25.4 cm) with a maximum vent length of 35 ft (10.7 m) or 6" (15.2 cm) or larger round vent with a maximum length of 50 ft (15.2 m) for vent system.

**NOTE:** Flexible vent is not recommended. Flexible vent creates back pressure and air turbulence that greatly reduces performance.

The ducting from this fan to the outside of the building has a strong effect on the air flow, noise and energy use of the fan. Use the shortest, straightest duct routing possible for best performance, and avoid installing the fan with smaller ducts than recommended. Insulation around the ducts can reduce energy loss and inhibit mold growth. Fans installed with existing ducts may not achieve their rated airflow.



- |   |   |
|---|---|
| <ul style="list-style-type: none"> <li>A. 6" (15.2 cm) or larger round vent or a 3<sup>1</sup>/<sub>4</sub>" x 10" (8.3 x 25.4 cm) rectangular vent through roof</li> <li>B. Round vent: use 6" (15.2 cm) or larger round damper (purchased separately)</li> <li>C. Round vent: use 3<sup>1</sup>/<sub>4</sub>" x 10" (8.3 x 25.4 cm) to 6" (15.2 cm) or larger diameter transition piece (purchased separately)</li> <li>D. 27" (68.6 cm) - 30" (76.2 cm) above gas cooking surface<br/>24" (61.0 cm) - 30" (76.2 cm) above electric cooking surface</li> <li>E. Roof cap</li> <li>F. Seal duct joints with duct tape/caulk</li> </ul> | <ul style="list-style-type: none"> <li>A. 6" (15.2 cm) or larger round vent or a 3<sup>1</sup>/<sub>4</sub>" x 10" (8.3 x 25.4 cm) rectangular vent through the wall</li> <li>B. Round vent: use 3<sup>1</sup>/<sub>4</sub>" x 10" (8.3 x 25.4 cm) to 6" (15.2 cm) or larger diameter transition piece (purchased separately)</li> <li>C. 3<sup>1</sup>/<sub>4</sub>" x 10" (8.3 x 25.4 cm) through the wall</li> <li>D. 27" (68.6 cm) - 30" (76.2 cm) above gas cooking surface<br/>24" (61.0 cm) - 30" (76.2 cm) above electric cooking surface</li> <li>E. Wall cap</li> <li>F. Seal duct joints with duct tape/caulk</li> </ul> |
|---|---|




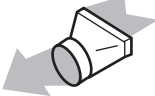
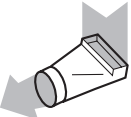
Ensure duct joints and exterior penetrations are sealed with caulk or other similar material to create an air-tight path and to minimize building heat loss and gain and reduce the potential for condensation.

Place/wrap insulation around duct and/or fan in order to minimize possible condensation buildup within the duct, building heat loss and gain.

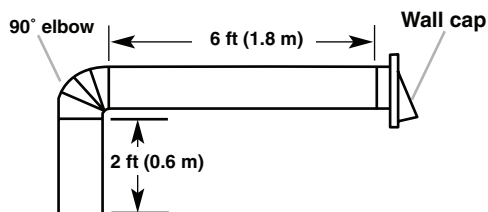
## Calculating Vent System Length

To calculate the length of the system you need, add the equivalent feet (meters) for each vent piece used in the system.

### 6" (15.2 cm) or Larger Round Vent System

Vent Piece	Round	
45° elbow	2.5 ft (0.8 m)	
90° elbow	5.0 ft (1.5 m)	
6" (15.2 cm) or larger wall cap	0.0 ft (0.0 m)	
3 1/4" x 10" (8.3 cm x 25.4 cm) to 6" (15.2 cm) or larger	4.5 ft (1.4 m)	
3 1/4" x 10" (8.3 cm x 25.4 cm) to 6" (15.2 cm) or larger 90° elbow	5.0 ft (1.5 m)	

### Example vent system

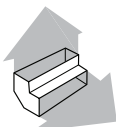
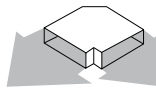
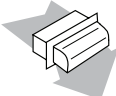


**Maximum Recommended Length = 50 ft (15.2 m)**

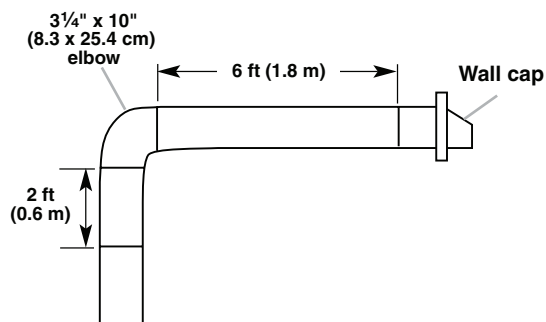
1 - 90° elbow	= 5.0 ft (1.5 m)
1 - wall cap	= 0.0 ft (0.0 m)
8 ft (2.4 m) straight	= 8.0 ft (2.4 m)
Length of 7" (17.8 cm) system	= 13.0 ft (3.9 m)

### 3 1/4" x 10" (8.3 cm x 25.4 cm) Vent System

#### Vent Piece

3 1/4" x 10" (8.3 cm x 25.4 cm) 90° elbow	5.0 ft (1.5 m)	
3 1/4" x 10" (8.3 cm x 25.4 cm) flat elbow	12.0 ft (3.7 m)	
3 1/4" x 10" (8.3 cm x 25.4 cm) wall cap	0.0 ft (0.0 m)	

### Example vent system



**Maximum Recommended Length = 35 ft (10.7 m)**

1 - 90° elbow	= 5.0 ft (1.5 m)
8 ft (2.4 m) straight	= 8.0 ft (2.4 m)
1 - wall cap	= 0.0 ft (0.0 m)
Length of 3 1/4" x 10" (8.3 cm x 25.4 cm) system	= 13.0 ft (3.9 m)

## Electrical Requirements

Observe all governing codes and ordinances.

Ensure that the electrical installation is adequate and in conformance with National Electrical Code, ANSI/NFPA 70 (latest edition), or CSA Standards C22.1-94, Canadian Electrical Code, Part 1 and C22.2 No. 0-M91 (latest edition) and all local codes and ordinances.

If codes permit and a separate ground wire is used, it is recommended that a qualified electrician determine that the ground path is adequate.

A copy of the above code standards can be obtained from:

National Fire Protection Association  
1 Batterymarch Park  
Quincy, MA 02269  
CSA International  
8501 East Pleasant Valley Road  
Cleveland, OH 44131-5575

- A 120 volt, 60 Hz., AC only, 15-amp, fused electrical circuit is required.

- If the house has aluminum wiring, follow the procedure below:
  1. Connect a section of solid copper wire to the pigtail leads.
  2. Connect the aluminum wiring to the added section of copper wire using special connectors and/or tools designed and UL listed for joining copper to aluminum.

Follow the electrical connector manufacturer's recommended procedure. Aluminum/copper connection must conform with local codes and industry accepted wiring practices.
- Wire sizes and connections must conform with the rating of the appliance as specified on the model/serial rating plate. The model/serial plate is located behind the filter on the rear wall of the range hood.
- Wire sizes must conform to the requirements of the National Electrical Code, ANSI/NFPA 70 (latest edition), or CSA Standards C22.1-94, Canadian Electrical Code, Part 1 and C22.2 No. 0-M91 (latest edition) and all local codes and ordinances.

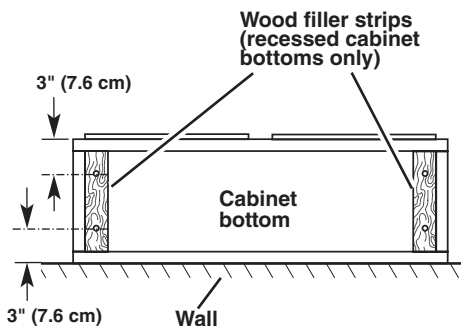
# INSTALLATION INSTRUCTIONS

## Prepare Location

**NOTE:** It is recommended that the vent system be installed before hood is installed.

Before making cutouts, make sure there is proper clearance within the ceiling or wall for exhaust vent.

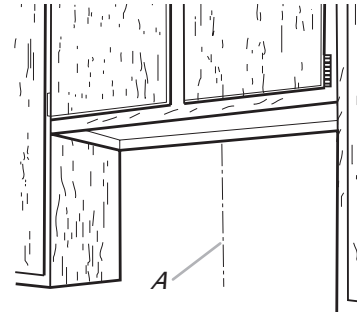
1. Disconnect power.
2. Determine which venting method to use: roof or wall.
3. Select a flat surface for assembling the range hood. Place covering over that surface.
4. Lift the range hood and set it upside down onto covered surface.
5. If cabinet has recessed bottom, add wood filler strips on each side. Install screws to attach filler strips in locations shown.



## Determine Wiring Hole Location

Cut only one 1 1/4" (3.2 cm) diameter wiring access hole. See Steps 2 or 3 for wiring hole location instructions.

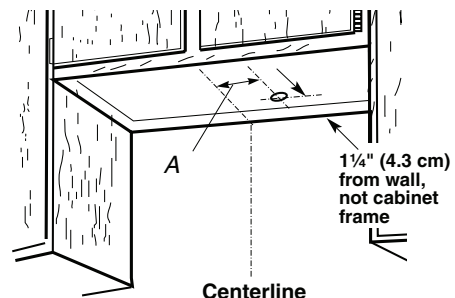
1. Determine and clearly mark a vertical centerline on the wall and cabinet in the area the vent opening will be made.



A. Centerline

2. **To wire through top:**

Mark a line distance "A" from the right of the centerline on the underside of the cabinet. Mark the point on this line that is 1 3/4" (4.4 cm) from back wall. Drill a 1 1/4" (3.2 cm) diameter hole through the cabinet at this point.

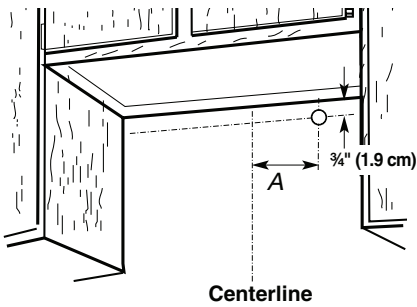


A. 10 7/8" (27.6 cm)



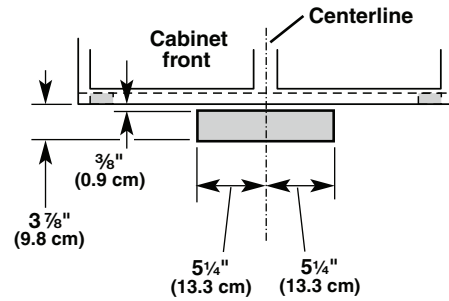
### 3. To wire through wall:

Mark a line distance "A" from the right of the centerline on the underside of the wall. Mark the point on this line that is  $\frac{3}{4}$ " (1.9 cm) from the underside of the cabinet. Drill a  $\frac{1}{4}$ " (3.2 cm) diameter hole through the rear wall at this point.



A.  $10\frac{7}{8}$ " (27.6 cm)

### 3. Use saber or keyhole saw to cut a rectangular opening in the wall for the vent.

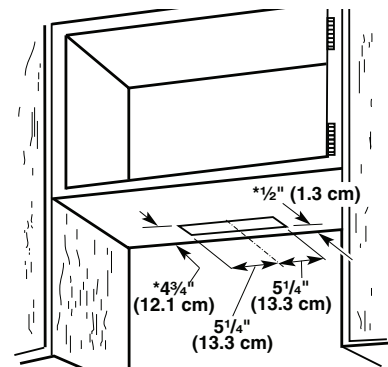


### Style 2 - Cut Openings for $3\frac{1}{4}$ " x 10" (8.3 x 25.4 cm) Rectangular Vent to Round Vent Transition

#### Roof Venting

To make a  $4\frac{1}{4}$ " x  $10\frac{1}{2}$ " (10.8 cm x 26.7 cm) rectangular cutout on the underside of cabinet bottom:

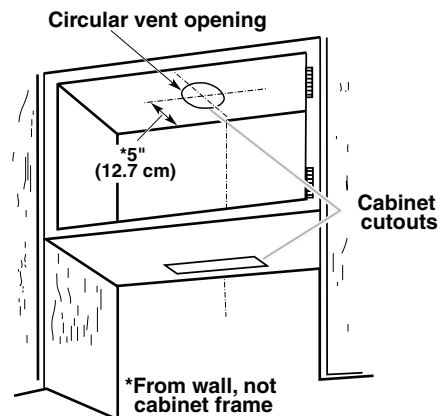
1. Mark lines  $\frac{1}{2}$ " (1.3 cm) and  $4\frac{3}{4}$ " (12.1 cm) from the back wall on the centerline of the underside of cabinet.
2. Mark lines  $5\frac{1}{4}$ " (13.3 cm) to the right and left of the centerline on the underside of cabinet.
3. Use saber or keyhole saw to cut a rectangular opening for vent.



\*From wall, not cabinet frame

To make a circular vent opening on the underside of the cabinet top:

1. Mark a centerline on the underside of the top of cabinet.
2. Mark a line 5" (12.7 cm) from the back wall on the underside of the top of cabinet.
3. Use a compass or a circle template to draw a circle with a diameter that is  $\frac{1}{4}$ " (0.64 cm) larger than the vent.
4. Use saber or keyhole saw to cut the circular vent opening.



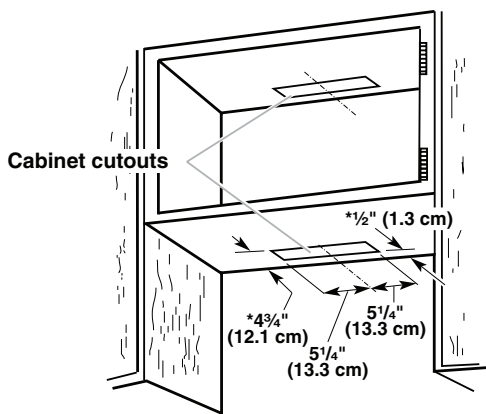
\*From wall, not cabinet frame

### Style 1 - Cut Openings for $3\frac{1}{4}$ " x 10" (8.3 x 25.4 cm) Rectangular Vent System

#### Roof Venting

To make a  $4\frac{1}{4}$ " x  $10\frac{1}{2}$ " (10.8 cm x 26.7 cm) rectangular cutout on the underside of cabinet top and bottom:

1. Mark lines  $\frac{1}{2}$ " (1.3 cm) and  $4\frac{3}{4}$ " (12.1 cm) from the back wall on the centerline of the underside of cabinet.
2. Mark lines  $5\frac{1}{4}$ " (13.3 cm) to the right and left of the centerline on the underside of cabinet.
3. Use saber or keyhole saw to cut a rectangular opening for vent.
4. Repeat steps 1-3 for the underside of the top of the cabinet.



\*From wall, not cabinet frame

#### Wall Venting

To make a  $3\frac{1}{2}$ " x  $10\frac{1}{2}$ " (8.9 cm x 26.7 cm) rectangle in the wall:

1. Make 2 lines by measuring  $\frac{3}{8}$ " (0.9 cm) and  $3\frac{7}{8}$ " (9.8 cm) down from underside of cabinet and mark on the centerline on the back wall.
2. Mark lines  $5\frac{1}{4}$ " (13.3 cm) to the right and left of the centerline on the wall.

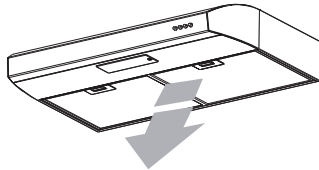
## Install Vent System

1. Install vent through the vent opening in upper cabinet or wall. Complete venting system according to the selected venting method. See "Venting Requirements" section.
2. Use caulking to seal exterior wall or roof opening around the cap.

## Install Range Hood

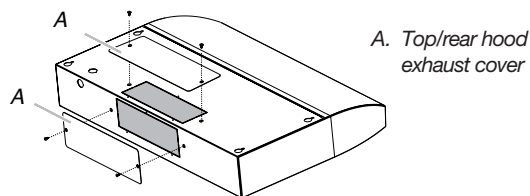
### Complete Preparation

1. Remove the grease filters. See the "Range Hood Care" section.

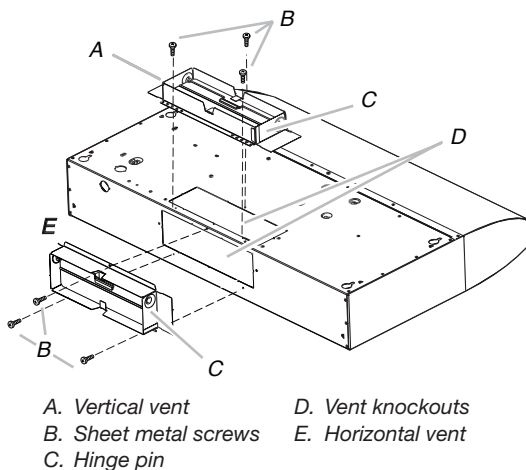


- Depending on your installation, remove either top or rear rectangular vent knockout. If using round vent, remove top rectangular knockout.

**NOTE:** In case you decide to change your venting outlet, your range hood is provided with a top/rear exhaust cover to close the exit hole previously made.



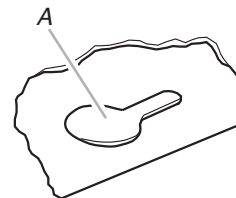
- Make sure damper pivot is nearest to top/back edge of range hood.
  - Remove tape from damper flap.
- NOTE:** The exhaust adapter/damper can be installed up to 1" (2.5 cm) on either side of the hood center to accommodate off-center ductwork.
- If using rectangular vent, attach rectangular damper/vent connectors to the range hood using sheet metal screws.



**NOTE:** If the wall cap is directly behind the vent connector, the dampers in the connector and wall cap must not interfere with each other. Remove the vent connector damper if they interfere.

- If using round vent, attach vent transition piece (purchased separately) to range hood top using sheet metal screws.

2. Lift the range hood up under cabinet and determine final location by centering beneath cabinet. Mark on the underside of cabinet the location of the 4 keyhole mounting slots on the range hood. Set range hood aside on a covered surface.



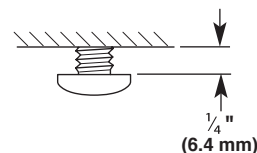
A. Keyhole slot

3. Use 1/8" (3 mm) drill bit and drill 4 pilot holes as shown.



A. Drill pilot hole.

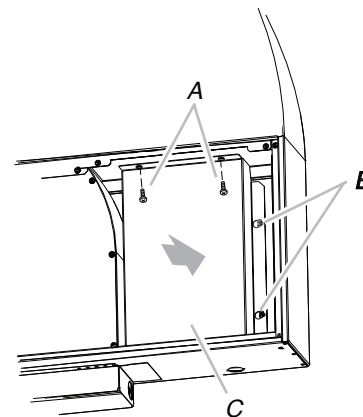
4. Install the 4 - 4.5 mm x 13 mm mounting screws in pilot holes. Leave about 1/4" (6.4 mm) space between screw heads and cabinet to slide range hood into place.



5. Run the home power supply cable according to the National Electric Code or CSA standards and local codes and ordinances. There must be enough wiring from the fused disconnect (or circuit breaker) box to make the connection in the hood electrical terminal box.

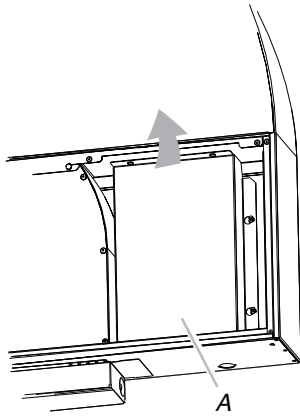
**NOTE:** Do not reconnect power until the installation is complete.

6. Remove the screws from the terminal box cover. Then slide the cover toward the outside edge of range hood to position the large end of the keyhole slots over the mounting tabs.



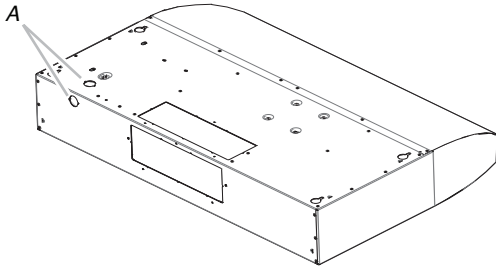
A. Screws  
B. Mounting tabs  
C. Terminal box cover

- Tip the terminal box cover at the screw flange area to remove. Remove the terminal box cover and set it aside.



A. Terminal box cover

- Remove the power supply knockout from the top or rear of the vent hood (depending on the incoming location of your home power supply cable) and install a UL Listed or CSA approved 1/2" (1.3 cm) strain relief.



A. Power supply knockout

- Using 2 or more people, lift the hood into final position. Feed enough electrical wire through the 1/2" UL listed or CSA approved strain relief to make connections in the terminal box. Tighten the strain relief screws.
- Position the range hood so that the large end of the keyhole slots are over the mounting screws. Then push the hood toward the wall so that the screws are in the neck of the slots. Tighten the mounting screws, making sure the screws are in the narrow neck of slots.
- Connect ventwork to hood. Seal joints with clamps to make secure and airtight.
- Check that back draft dampers work properly.

## Make Electrical Connection

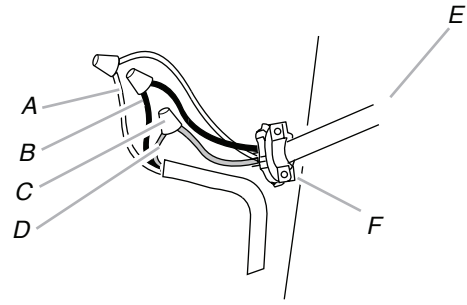
### ⚠ WARNING



#### Electrical Shock Hazard

**Disconnect power before servicing.**  
**Replace all parts and panels before operating.**  
**Failure to do so can result in death or electrical shock.**

- Disconnect power.



- A. White wires
- B. Black wires
- C. UL listed wire connector
- D. Green (or bare) and yellow-green ground wire
- E. Home power supply cable
- F. UL listed or CSA approved 1/2" strain relief

- Use UL listed wire connectors and connect white wires (A) together.
- Use UL listed wire connectors and connect black wires (B) together.

### ⚠ WARNING



#### Electrical Shock Hazard

**Electrically ground blower.**

**Connect ground wire to green and yellow ground wire in terminal box.**

**Failure to do so can result in death or electrical shock.**

- Connect green (or bare) ground wire from home power supply to yellow-green ground wire (C) in terminal box using UL listed wire connectors.
- Reinstall terminal box cover.
- Check that the light bulb is secure in its socket. See "Replacing the LED Lamp" in the Range Hood Care section.
- Reconnect power.

## Complete Installation

- Replace grease filters. See the "Range Hood Care" section.
- Check the operation of the range hood fan and light. See "Range Hood Use" section.

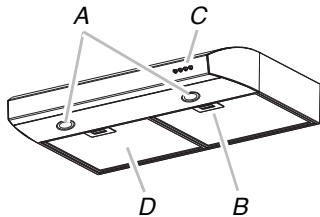
If range hood does not operate, check to see whether a circuit breaker has tripped or a household fuse has blown. Disconnect power and check wiring connections.

**NOTE:** To get the most efficient use from your new range hood, read the "Range Hood Use" section.

# RANGE HOOD USE

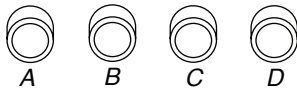
The range hood is designed to remove smoke, cooking vapors and odors from the cooktop area. For best results, start the hood before cooking and allow it to operate several minutes after the cooking is complete to clear all smoke and odors from the kitchen.

The hood controls are located on the front panel on the right side of the range hood.



- A. LED lamps
- B. Grease filter handle
- C. Blower and light controls
- D. Grease filter

## Range Hood Controls



- A. On/Off light button
- B. Blower Off and speed minimum button
- C. Blower speed medium button
- D. Blower speed maximum button

### Operating the light

The On/Off light button controls the light. Press once for On and again for Off.

### Operating the blower

The BLOWER SPEED buttons turn the blower on and control the blower speed and sound level for quiet operation. The speed can be changed anytime during fan operation by pressing the desired blower speed button.

Press the BLOWER OFF button a second time to turn the blower off.

# RANGE HOOD CARE

## Cleaning

**IMPORTANT:** Clean the hood and grease filters frequently according to the following instructions. Replace grease filters before operating the hood.

### Exterior Surfaces

**IMPORTANT:** Do not use soap-filled scouring pads, abrasive cleaners, Cooktop Polishing Creme, steel wool, gritty washcloths or paper towels.

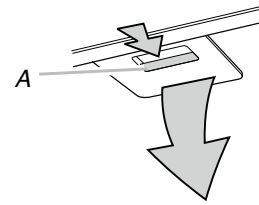
### Cleaning Method:

- Rub in the direction of the grain to avoid scratching or damaging the surface.
- Stainless Steel Cleaner and Polish (not included). See "Assistance or Service" section to order.

- Liquid detergent or all-purpose cleaner: Rinse with clean water and dry with soft, lint-free cloth.
- Glass cleaner to remove fingerprints.

## Metal Grease Filter

1. Remove each filter by pulling the spring release handle and then pulling down the filter.



A. Spring release handle

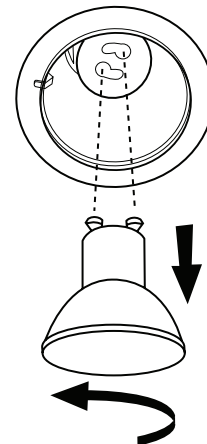
2. Wash metal filters as needed in dishwasher or hot detergent solution.
3. Reinstall the filter by making sure the spring release handles are toward the front. Insert aluminum filter into upper track.
4. Push in spring release handle.
5. Push up on metal filter and release handle to latch into place.
6. Repeat steps 1-5 for the other filter.

## Replacing LED Lamps

To avoid damage or decreasing the life of the new lamp, do not touch lamp with bare fingers. Replace lamp, using tissue or wearing cotton gloves to handle lamp.

If new lamps do not operate, make sure the lamps are inserted correctly before calling service.

1. Disconnect power.
2. Push up on the lens and turn it counterclockwise.



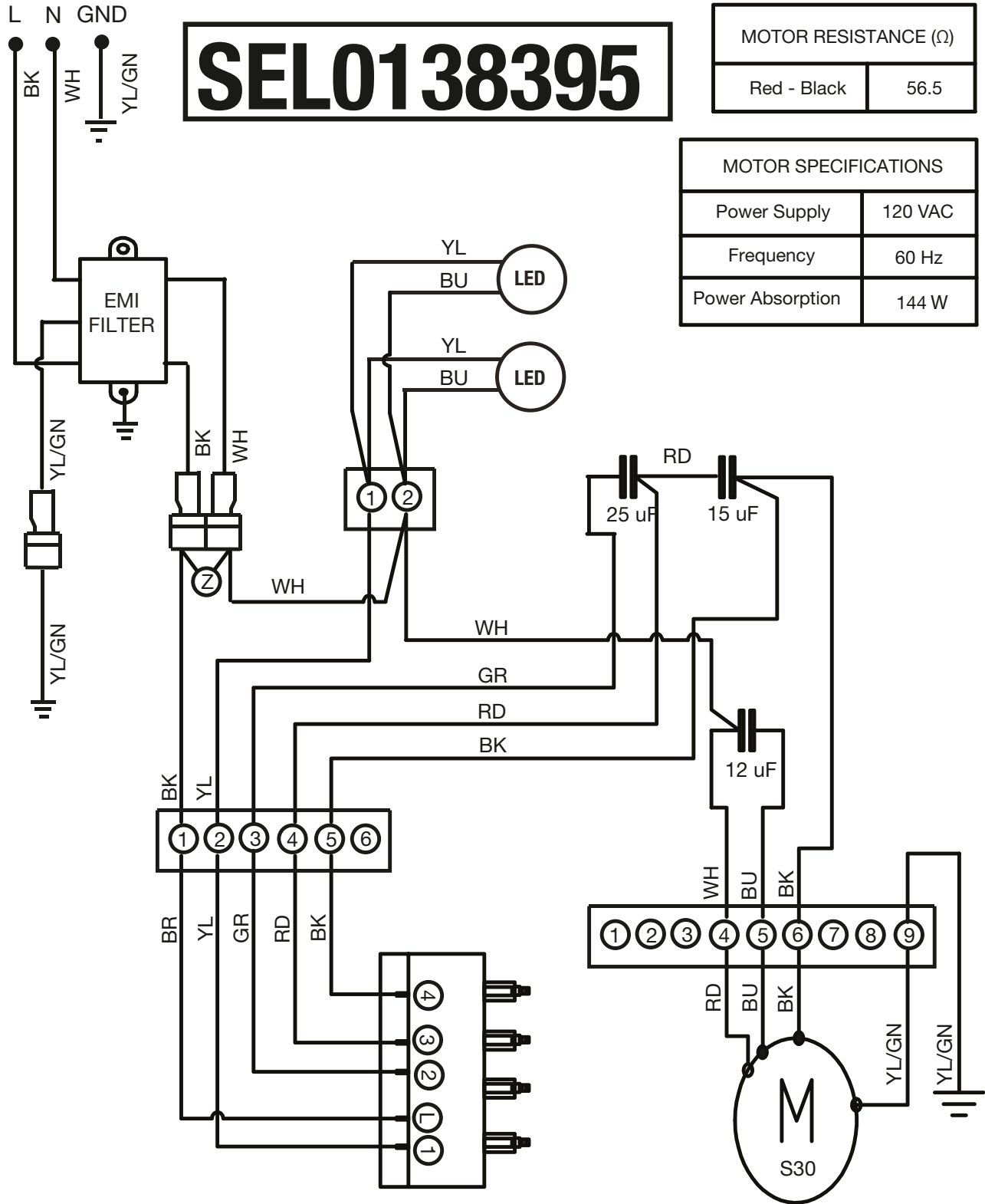
3. Remove and replace it with an appropriate Energy Star lamp for the fixture: 120-volt, 6.5-watt maximum with a GU10 base. Turn it clockwise to lock it into place.
4. Repeat steps 2-3 for the other lamps if needed.
5. Reconnect power.

# WIRING DIAGRAM

## SEL0138395

MOTOR RESISTANCE (Ω)	
Red - Black	56.5

MOTOR SPECIFICATIONS	
Power Supply	120 VAC
Frequency	60 Hz
Power Absorption	144 W



---

# ASSISTANCE OR SERVICE

---

When calling for assistance or service, please know the purchase date and the complete model and serial number of your appliance. This information will help us to better respond to your request.

## If you need replacement parts

If you need to order replacement parts, we recommend that you use only factory specified parts. Factory specified parts will fit right and work right because they are made with the same precision used to build every new appliance. To locate factory specified replacement parts in your area, call us or your nearest designated service center.

---

## In the U.S.A.

Call the Whirlpool Customer eXperience Center toll-free: **1-800-253-1301**.

### Our consultants provide assistance with:

- Features and specifications on our full line of appliances.
- Installation information.
- Use and maintenance procedures.
- Accessory and repair parts sales.
- Specialized customer assistance (Spanish speaking, hearing impaired, limited vision, etc.).
- Referrals to local dealers, repair parts distributors and service companies. Whirlpool designated service technicians are trained to fulfill the product warranty and provide afterwarranty service anywhere in the United States.

To locate the Whirlpool designated service company in your area, you can also look in your telephone directory Yellow Pages.

### For further assistance

If you need further assistance, you can write to Whirlpool Corporation with any questions or concerns at:

Whirlpool Brand Home Appliances  
Customer eXperience Center  
553 Benson Road  
Benton Harbor, MI 49022-2692

Please include a daytime phone number in your correspondence.

## In Canada

Call the Whirlpool Canada LP Customer eXperience Centre toll-free: **1-800-807-6777**.

### Our consultants provide assistance with:

- Features and specifications on our full line of appliances.
- Use and maintenance procedures.
- Accessory and repair parts sales.
- Specialized customer assistance (Spanish speaking, hearing impaired, limited vision, etc.).
- Referrals to local dealers, repair parts distributors, and service companies. Whirlpool Canada LP designated service technicians are trained to fulfill the product warranty and provide after-warranty service anywhere in Canada.

### For further assistance

If you need further assistance, you can write to Whirlpool Canada LP with any questions or concerns at:

Customer eXperience Centre  
Whirlpool Canada LP  
200 - 6750 Century Ave.  
Mississauga, Ontario L5N 0B7

Please include a daytime phone number in your correspondence.

---

## Accessories

### Stainless Steel Cleaner and Polish

Order Part Number 31462A



# SÉCURITÉ DE LA HOTTE

## Votre sécurité et celle des autres est très importante.

Nous donnons de nombreux messages de sécurité importants dans ce manuel et sur votre appareil ménager. Assurez-vous de toujours lire tous les messages de sécurité et de vous y conformer.



Voici le symbole d'alerte de sécurité.

Ce symbole d'alerte de sécurité vous signale les dangers potentiels de décès et de blessures graves à vous et à d'autres.

Tous les messages de sécurité suivront le symbole d'alerte de sécurité et le mot "DANGER" ou "AVERTISSEMENT". Ces mots signifient :

**! DANGER**

**Risque possible de décès ou de blessure grave si vous ne suivez pas immédiatement les instructions.**

**! AVERTISSEMENT**

**Risque possible de décès ou de blessure grave si vous ne suivez pas les instructions.**

Tous les messages de sécurité vous diront quel est le danger potentiel et vous disent comment réduire le risque de blessure et ce qui peut se produire en cas de non-respect des instructions.



# IMPORTANTES INSTRUCTIONS DE SÉCURITÉ

**AVERTISSEMENT** : POUR RÉDUIRE LE RISQUE D'INCENDIE, CHOC ÉLECTRIQUE OU DOMMAGES CORPORELS, RESPECTER LES INSTRUCTIONS SUIVANTES :

- Utiliser cet appareil uniquement dans les applications envisagées par le fabricant. Pour toute question, contacter le fabricant.
- Avant d'entreprendre un travail d'entretien ou de nettoyage, interrompre l'alimentation de la hotte au niveau du tableau de disjoncteurs, et verrouiller le tableau de disjoncteurs pour empêcher tout rétablissement accidentel de l'alimentation du circuit. Lorsqu'il n'est pas possible de verrouiller le tableau de disjoncteurs, placer sur le tableau de disjoncteurs une étiquette d'avertissement proéminente interdisant le rétablissement de l'alimentation.
- Tout travail d'installation ou câblage électrique doit être réalisé par une personne qualifiée, dans le respect des prescriptions de tous les codes et normes applicables, y compris les codes du bâtiment et de protection contre les incendies.
- Ne pas faire fonctionner un ventilateur dont le cordon ou la fiche est endommagé(e). Jeter le ventilateur ou le retourner à un centre de service agréé pour examen et/ou réparation.
- Une source d'air de débit suffisant est nécessaire pour le fonctionnement correct de tout appareil à gaz (combustion et évacuation des gaz à combustion par la cheminée), pour qu'il n'y ait pas de reflux des gaz de combustion. Respecter les directives du fabricant de l'équipement de chauffage et les prescriptions des normes de sécurité - comme celles publiées par la National Fire Protection Association (NFPA) et l'American Society for Heating, Refrigeration and Air Conditioning Engineers (ASHRAE), et les prescriptions des autorités réglementaires locales.
- Lors des opérations de découpage et de perçage dans un mur ou un plafond, ne pas endommager les câblages électriques et les canalisations qui peuvent s'y trouver.
- Les ventilateurs d'évacuation doivent toujours décharger l'air à l'extérieur.

**MISE EN GARDE** : Cet appareil est conçu uniquement pour la ventilation générale. Ne pas l'utiliser pour l'extraction de matières ou vapeurs dangereuses ou explosives.

**MISE EN GARDE** : Pour minimiser le risque d'incendie et évacuer adéquatement les gaz, veiller à acheminer l'air aspiré par un conduit jusqu'à l'extérieur - ne pas décharger l'air aspiré dans un espace vide du bâtiment comme une cavité murale, un plafond, un grenier, un vide sanitaire ou un garage.

**AVERTISSEMENT** : POUR RÉDUIRE LE RISQUE D'INCENDIE, UTILISER UNIQUEMENT DES CONDUITS MÉTALLIQUES.

**AVERTISSEMENT** : POUR MINIMISER LE RISQUE D'UN FEU DE GRAISSE SUR LA CUISINIÈRE :

- Ne jamais laisser un élément de surface fonctionner à puissance de chauffage maximale sans surveillance. Un renversement/débordement de matière grasseuse pourrait provoquer une inflammation et la génération de fumée. Utiliser une puissance de chauffage moyenne ou basse pour le chauffage d'huile.
- Veiller à toujours faire fonctionner le ventilateur de la hotte lors de la cuisson avec une puissance de chauffage élevée ou lors de la cuisson d'un mets à flamber (à savoir crêpes Suzette, cerise jubilé, steak au poivre flambé).
- Nettoyer fréquemment les ventilateurs d'extraction. Veiller à ne pas laisser la graisse s'accumuler sur les surfaces du ventilateur ou des filtres.
- Utiliser toujours un ustensile de taille appropriée. Utiliser toujours un ustensile adapté à la taille de l'élément chauffant.

**AVERTISSEMENT** : POUR RÉDUIRE LE RISQUE DE DOMMAGES CORPORELS APRÈS LE DÉCLENCHEMENT D'UN FEU DE GRAISSE SUR LA CUISINIÈRE, APPLIQUER LES RECOMMANDATIONS SUIVANTES :<sup>a</sup>

- Placer sur le récipient un couvercle bien ajusté, une tôle à biscuits ou un plateau métallique POUR ÉTOUFFER LES FLAMMES, puis éteindre le brûleur. VEILLER À ÉVITER LES BRÛLURES. Si les flammes ne s'éteignent pas immédiatement, ÉVACUER LA PIÈCE ET APPELER LES POMPIERS.
- NE JAMAIS PRENDRE EN MAIN UN RÉCIPENT ENFLAMMÉ - vous risquez de vous brûler.
- NE PAS UTILISER D'EAU, ni un torchon humide - ceci pourrait provoquer une explosion de vapeur brûlante.
- Utiliser un extincteur SEULEMENT si :
  - Il s'agit d'un extincteur de classe ABC, dont on connaît le fonctionnement.
  - Il s'agit d'un petit feu encore limité à l'endroit où il s'est déclaré.
  - Les pompiers ont été contactés.
  - Il est possible de garder le dos orienté vers une sortie pendant l'opération de lutte contre le feu.

<sup>a</sup>Recommandations tirées des conseils de sécurité en cas d'incendie de cuisine publiés par la NFPA.

- **AVERTISSEMENT** : Pour réduire le risque d'incendie ou de choc électrique, ne pas utiliser ce ventilateur avec un quelconque dispositif de réglage de la vitesse à semi-conducteurs.

## LIRE ET CONSERVER CES INSTRUCTIONS

# EXIGENCES D'INSTALLATION

## Outils et pièces

Rassembler les outils et pièces nécessaires avant d'entreprendre l'installation. Lire et observer les instructions fournies avec chacun des outils de la liste ci-dessous.

### Outils nécessaires

- Perceuse
- Foret de 1/4" (3,0 cm)
- Foret de 1/8" (3,0 mm) pour avant-trous
- Crayon
- Pince à dénuder ou couteau tout usage
- Ruban à mesurer ou règle
- Pistolet à calfeutrage et calfeutrant étanche
- Tournevis à lame plate
- Tournevis à tête cruciforme
- Scie sauteuse ou scie à guichet
- Brides de conduit
- Cisaille de ferblantier
- Compas ou gabarit de diamètre 8" (20,3 cm)

### Pièces fournies

Sortir les pièces de l'emballage. Vérifier que toutes les pièces sont présentes.

- 2 - filtres métalliques
- 3 vis pour clapet de 3,5 x 9,5 mm
- 4 vis de montage de 4,5 x 13 mm
- 2 vis de 3,5 x 9,5 mm per le montage del couvercle de sortie superieure/arriere
- Couvercle de sortie superieure/arriere
- Module clapet/connecteur de conduit de 3 1/4" x 10" (8,3 x 25,4 cm)
- Adaptateur Torx®† T-20

### Pièces nécessaires

- Conduit métallique rond de 3 1/4" x 10" (8,3 x 25,4 cm) ou d'un diamètre de 6" (15,2 cm) ou plus
- Clapet anti-reflux de 6" (15,2 cm) ou plus de diamètre, pour utilisation avec un circuit d'évacuation de 6" (15,2 cm) ou plus de diamètre
- Raccord de transition de 3 1/4" x 10" (8,3 x 25,4 cm) sur 6" (15,2 cm) ou plus de diamètre pour utilisation avec circuit d'évacuation d'un diamètre de 6" (15,2 cm) ou plus.
- 3 connecteurs de fils homologués UL
- 1 serre-câble de 1/2" (12,7 mm) (homologation UL ou CSA)

### Pour armoires avec cavité au fond :

- Deux tringles d'appui de largeur 2" (5,1 cm). Longueur et épaisseur selon les dimensions de l'encastrement.
- Quatre vis à bois à tête plate ou vis à métaux avec rondelles et écrous, pour la fixation des tringles d'appui.

## Exigences d'emplacement

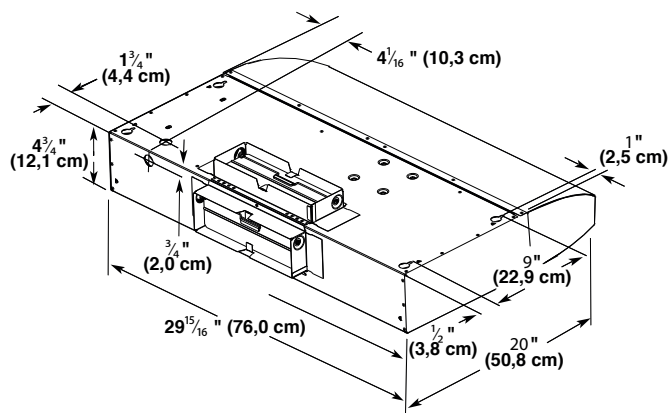
**IMPORTANT :** Observer les dispositions de tous les codes et règlements en vigueur.

- C'est à l'installateur qu'incombe la responsabilité de respecter les distances de séparation spécifiées sur la plaque signalétique. La plaque signalétique est située à l'intérieur de la hotte, sur la paroi de gauche.
- Installer la hotte de cuisinière à distance de toute zone exposée à des courants d'air, comme fenêtres, portes et bouches de chauffage à fort débit.
- Respecter les dimensions indiquées pour les ouvertures à découper dans les armoires. Ces dimensions représentent les valeurs minimales des dégagements. Consulter les instructions d'installation du fabricant de la table de cuisson/du four avant d'effectuer des coupes.
- Une source d'électricité avec liaison à la terre est nécessaire. Voir la section "Spécifications électriques".
- La hotte a été configurée à l'usine pour une installation avec décharge à l'extérieur.
- Toutes les ouvertures dans le plafond et le mur de l'emplacement d'installation de la hotte doivent être scellées.

### Pour une installation dans une résidence mobile

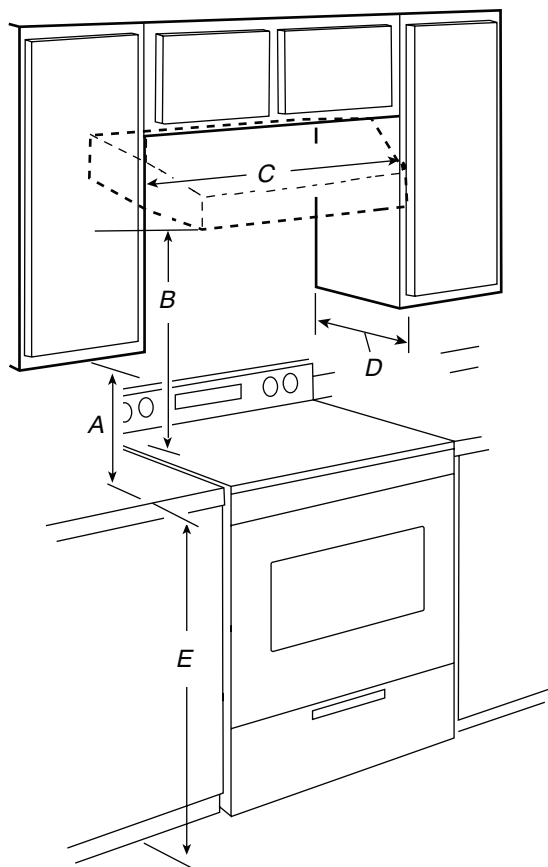
L'installation de cette hotte doit satisfaire aux exigences de la norme Manufactured Home Construction Safety Standards, Titre 24 CFR, partie 328 (anciennement Federal Standard for Mobile Home Construction and Safety, titre 24, HUD, partie 280); lorsque cette norme n'est pas applicable, l'installation doit satisfaire aux critères de la plus récente édition de la norme Manufactured Home Installation 1982 (Manufactured Home Sites, Communities and Setups) ANSI A225.1/NFPA 501A\*, ou des codes locaux.

### Dimensions du produit



† TORX est une marque déposée d'Acument Intellectual Properties, LLC.

## Distances de dégagement à respecter



- A. Dégagement minimal de 18" (45,7 cm) entre l'armoire supérieure et le comptoir
- B. 24" (61,0 cm) min. pour les surfaces de cuisson électrique, 27" (68,6 cm) min. pour les surfaces de cuisson au gaz ; distance max. suggérée de 30" (76,2 cm) entre le bas de la hotte et la surface de cuisson
- C. Largeur minimale de l'ouverture 30" (76,2 cm)
- D. Profondeur de l'armoire 13" (33 cm)
- E. Hauteur de la base de l'armoire de 36" (91,4 cm)

## Exigences concernant l'évacuation

- Le système doit évacuer l'air à l'extérieur.
- Ne pas terminer le circuit d'évacuation dans un grenier ou dans un autre espace clos.
- Ne pas utiliser une bouche d'évacuation murale de 4" (10,2 cm) normalement utilisée pour un équipement de buanderie.
- Utiliser un conduit métallique rond de diamètre de 6" (15,2 cm) ou plus grand ou un conduit métallique rectangulaire de diamètre de 3¼" x 10" (8,3 cm x 25,4 cm). Un conduit en métal rigide est recommandé. Il n'est pas recommandé d'utiliser un conduit en plastique ou en métal très mince.
- La longueur du circuit d'évacuation et le nombre de coudes doivent être réduits au minimum pour des performances optimales.

## Pour un fonctionnement efficace et silencieux :

- Ne pas utiliser plus de trois coudes à 90°.
- Veiller à incorporer une section de conduit rectiligne d'au moins 24" (61 cm) entre deux raccords coudés adjacents.
- Ne pas installer 2 coudes ensemble.
- Au niveau de chaque jointure du circuit d'évacuation, assurer l'étanchéité avec les brides de serrage.
- Le circuit d'évacuation doit comporter un clapet anti-reflux. Si la bouche d'évacuation murale ou par le toit comporte un clapet anti-reflux, ne pas utiliser le clapet fourni avec la hotte.
- À l'aide d'un produit de calfeutrage, assurer l'étanchéité autour de la bouche de décharge à l'extérieur (à travers le mur ou le toit).

## Installations dans les régions au climat froid

Un clapet anti-reflux additionnel devrait être installé pour minimiser le reflux d'air froid et une barrière thermique devrait aussi être installée pour minimiser la conduction des températures extérieures par l'intermédiaire du conduit d'évacuation. Le clapet anti-reflux doit être placé du côté air froid de la barrière thermique.

La barrière thermique doit être aussi proche que possible de l'entrée du circuit d'évacuation dans la partie chauffée de la maison.

## Air d'appoint

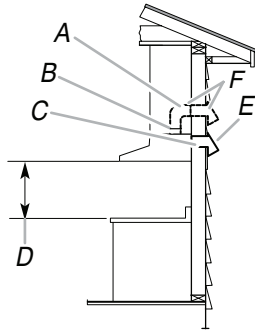
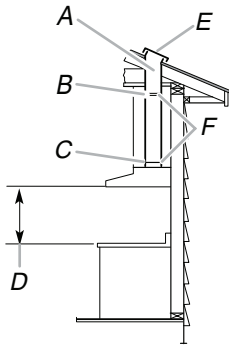
Le code du bâtiment local peut exiger l'emploi d'un système d'appoint d'air lors de l'emploi d'un ventilateur d'extraction dont la capacité d'aspiration est supérieure à un débit (pieds cubes par minute) spécifié. Le débit spécifié en pieds cubes par minute varie d'une juridiction à l'autre. Consulter un professionnel des installations de chauffage ventilation/climatisation au sujet des exigences spécifiques applicables dans la juridiction locale.

## Méthodes d'évacuation

La sortie à l'extérieur du circuit d'évacuation peut se faire à travers le toit ou le mur. La longueur effective du circuit ne doit pas dépasser 35 pi (10,7 m) dans le cas d'un conduit rectangulaire de 3¼" x 10" (8,3 x 25,4 cm), ou 50 pi (15,2 m) dans le cas d'un conduit rond de diamètre 6" (15,2 cm) ou plus grand.

**REMARQUE :** L'emploi d'un conduit flexible est déconseillé. Un conduit flexible peut causer une contre-pression et des turbulences d'air, qui réduisent considérablement la performance.

La canalisation de ce ventilateur vers l'extérieur du bâtiment a un effet important sur la circulation d'air, le bruit et la consommation d'énergie du ventilateur. Un passage de conduit court et droit est préférable pour une meilleure performance. Éviter d'installer le ventilateur avec un conduit plus petit que recommandé. Un isolant autour du conduit peut réduire la perte d'énergie et inhiber la croissance de moisissures. Un ventilateur installé avec un conduit existant peut ne pas atteindre son débit d'air nominal.



- A. Conduit rond de diamètre de 6" (15,2 cm) ou plus grand ou un conduit rectangulaire de diamètre de 3 1/4" x 10" (8,3 x 25,4 cm) à travers le toit
- B. Conduit rond : utiliser un clapet de diamètre de 6" (15,2 cm) ou plus grand (à acheter séparément)
- C. Conduit rond : utiliser un raccord de transition de 3 1/4" x 10" (8,3 x 25,4 cm) sur 6" (15,2 cm) ou de plus grande taille (à acheter séparément)
- D. 27" (68,6 cm) à 30" (76,2 cm) au-dessus de la surface de cuisson au gaz 24" (61,0 cm) à 30" (76,2 cm) au-dessus de la surface de cuisson électrique
- E. Bouche de décharge sur toit
- F. Assurer l'étanchéité des jointures du conduit avec du ruban adhésif/mastic pour conduits.

- A. Conduit rond de diamètre de 6" (15,2 cm) ou plus grand ou un conduit rectangulaire de diamètre de 3 1/4" x 10" (8,3 x 25,4 cm) à travers le toit
- C. Conduit rond : utiliser un raccord de transition de 3 1/4" x 10" (8,3 x 25,4 cm) sur 6" (15,2 cm) ou de plus grande taille (à acheter séparément)
- C. 3 1/4" x 10" (8,3 x 25,4 cm) à travers le mur
- D. 27" (68,6 cm) à 30" (76,2 cm) au-dessus de la surface de cuisson au gaz 24" (61,0 cm) à 30" (76,2 cm) au-dessus de la surface de cuisson électrique
- E. Bouche de décharge murale
- F. Assurer l'étanchéité des jointures du conduit avec du ruban adhésif/mastic pour conduits.

Assurer le scellement des joints et des pénétrations extérieures du conduit à l'aide du mastic ou un autre matériau similaire afin de créer un passage d'air étanche, minimiser les pertes et gains de chaleur et réduire le risque de condensation.

Placer/enrouler de l'isolant tout autour du conduit et/ou ventilateur afin de minimiser les gains et pertes de chaleur, et la possibilité d'accumulation de condensation dans le conduit.

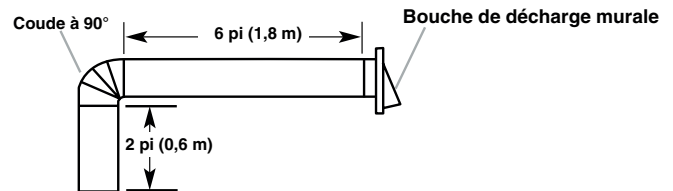
### Calcul de la longueur du circuit d'évacuation

Pour calculer la longueur effective du circuit d'évacuation nécessaire, additionner les longueurs équivalentes (en pieds ou mètres) de tous les composants utilisés dans le circuit.

### Système d'évacuation avec conduits ronds de 6" (15,2 cm) ou plus grand

Composant	Rond	
Coude à 45°	2,5 pi (0,8 m)	
Coude à 90°	5,0 pi (1,5 m)	
Bouche de décharge murale de 6" (15,2 cm) ou plus grand	0,0 pi (0,0 m)	
3 1/4" x 10" (8,3 cm x 25,4 cm) à 6" (15,2 cm)	4,5 pi (1,4 m)	
3 1/4" x 10" (8,3 cm x 25,4 cm) à 6" (15,2 cm)	5,0 pi (1,5 m)	

### Exemple de circuit d'évacuation

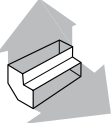
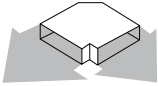
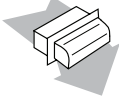


Longueur maximum recommandée = 50 pi (15,2 m)

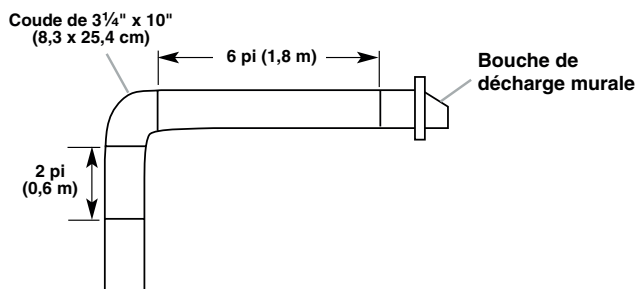
1 coude à 90°	= 5,0 pi (1,5 m)
1 bouche de décharge murale	= 0,0 pi (0,0 m)
Section droite de 8 pi (2,4 m)	= 8,0 pi (2,4 m)
Système à longueur de 7" (17,8 cm)	= 13,0 pi (3,9 m)

## Système de décharge de 3/4" x 10" (8,3 cm x 25,4 cm)

### Composant

Coude à 90° de 3/4" x 10" (8,3 m x 25,4 cm)	5,0 pi (1,5 m)	
Coude plat à 90° de 3/4" x 10" (8,3 cm x 25,4 cm)	12,0 pi (3,7 m)	
Bouche de décharge murale de 3/4" x 10" (8,3 cm x 25,4 cm)	0,0 pi (0,0 m)	

### Exemple de circuit d'évacuation



**Longueur maximum recommandée = 35 pi (10,7 m)**

1 coude à 90°	= 5,0 pi (1,5 m)
Section droite de 8 pi (2,4 m)	= 8,0 pi (2,4 m)
1 bouche de décharge murale	= 0,0 pi (0,0 m)
<b>Longueur du système de 3/4" x 10" (8,3 cm x 25,4 cm)</b>	<b>= 13,0 pi (3,9 m)</b>

## Spécifications électriques

Observer les dispositions de tous les codes et règlements en vigueur.

S'assurer que l'installation électrique est appropriée et conforme au National Electrical Code, à la norme ANSI/NFPA 70 (plus récente édition) ou à la norme CSA C22.1-94, au Code canadien de l'électricité, partie 1 et C22.2 N° 0-M91 (plus récente édition) et à tous les codes et règlements locaux.

Si les codes le permettent et si l'on utilise un conducteur distinct de liaison à la terre, il est recommandé qu'un électricien qualifié vérifie la qualité de la liaison à la terre.

Pour obtenir un exemplaire des normes des codes ci-dessus, contacter :

National Fire Protection Association  
1 Batterymarch Park  
Quincy, MA 02269

CSA International  
8501 East Pleasant Valley Road  
Cleveland, OH 44131-5575

- L'appareil doit être alimenté par un circuit de 120 V, CA seulement, 60 Hz, protégé par fusible de 15 ampères.
- Si le domicile possède un câblage en aluminium, suivre la procédure ci-dessous :
  1. Raccorder une portion de câble en cuivre massif aux conducteurs de raccordement.
  2. Connecter le câblage en aluminium à la portion ajoutée de câblage en cuivre en utilisant des connecteurs et/ou des outils spécialement conçus et homologués UL pour raccorder le cuivre à l'aluminium.

Appliquer la procédure recommandée par le fabricant des connecteurs. Les raccordements aluminium/cuivre doivent satisfaire aux prescriptions des codes locaux et de l'industrie, et être conformes aux pratiques de câblage reconnues.

- Le calibre des conducteurs et les connexions doivent être compatibles avec les caractéristiques électriques de l'appareil spécifiées sur la plaque signalétique. La plaque signalétique de l'appareil est située derrière le filtre, sur la paroi arrière de la hotte.
- Le calibre des câbles et des raccordements doit être conforme au National Electrical Code, ANSI/NFPA 70 (édition la plus récente) ou CSA Standards C22.1-94, Code canadien des installations électriques, partie 1 et C22.2 No 0-M91 (édition la plus récente) et de tous les codes et règlements en vigueur.

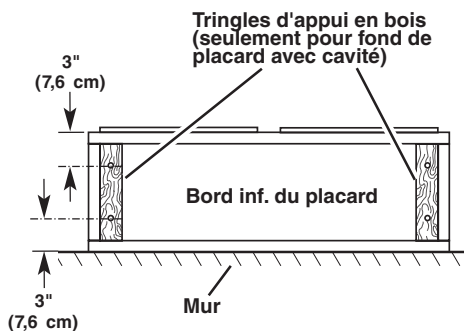
# INSTRUCTIONS D'INSTALLATION

## Préparation de l'emplacement

**REMARQUE :** On recommande d'installer le circuit d'évacuation avant d'entreprendre l'installation de la hotte.

Avant d'effectuer des découpes, s'assurer que l'espace est suffisant sur le mur ou le plafond pour le conduit d'évacuation.

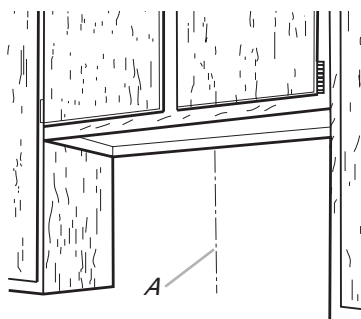
1. Déconnecter la source de courant électrique.
2. Déterminer la méthode d'évacuation à utiliser : évacuation par le plafond ou par le mur.
3. Choisir une surface plane pour l'assemblage de la hotte. Placer le matériau de protection sur cette surface.
4. Soulever la hotte et la placer inversée sur surface couverte.
5. Si le fond de l'armoire forme une cavité, ajouter des tringles d'appui en bois de chaque côté. Installer les vis pour fixer les tringles d'appui aux emplacements indiqués.



### Déterminer l'emplacement du trou de passage du câble

Percer seulement un trou de passage de 1 $\frac{1}{4}$ " (3,2 cm) de diamètre pour le câblage. Voir l'étape 2 ou 3 pour des instructions sur l'emplacement du trou de passage du câble.

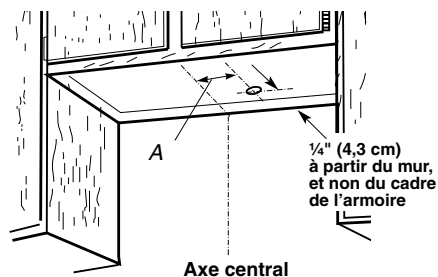
1. Déterminer et tracer clairement l'axe central sur le mur et l'armoire dans la zone où le passage du conduit d'évacuation sera réalisé.



A. Axe central

### 2. Câblage à travers le sommet de l'armoire :

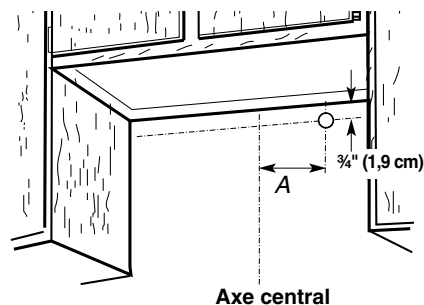
Tracer une ligne de distance "A" à droite de l'axe central, sur la face inférieure de l'armoire. Sur cette ligne, marquer le point situé à 1 $\frac{3}{4}$ " (4,4 cm) du mur arrière. Percer en ce point un trou de 1 $\frac{1}{4}$ " (3 cm) de diamètre à travers l'armoire.



A. 10  $\frac{7}{8}$ " (27,6 cm)

### 3. Passage du câble à travers le mur :

Tracer une ligne de distance "A" à droite de l'axe central, sur la face inférieure de l'armoire. Sur cette ligne, marquer le point situé à  $\frac{3}{4}$ " (1,9 cm) à partir de la face inférieure du mur. Percer en ce point un trou de 1 $\frac{1}{4}$ " (3,2 cm) de diamètre à travers le mur arrière.



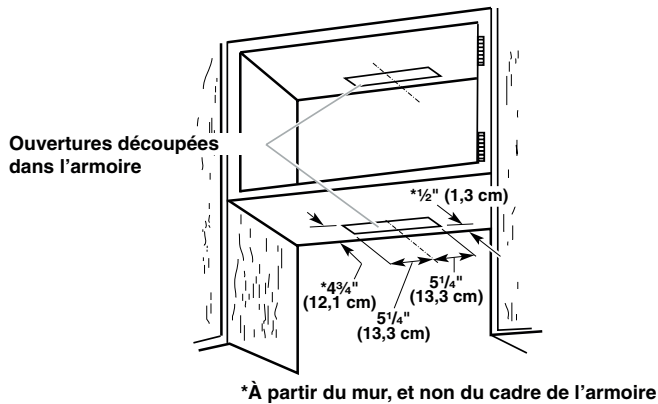
A. 10  $\frac{7}{8}$ " (27,6 cm)

**Style 1 – Découpages d'ouverture pour un système d'évacuation rectangulaire de 3¼" x 10" (8,3 cm x 25,4 cm)**

**Évacuation à travers le toit**

**Découpage d'une ouverture rectangulaire de 4¼" x 10½" (10,8 cm x 26,7 cm) sur la face inférieure et le sommet de l'armoire :**

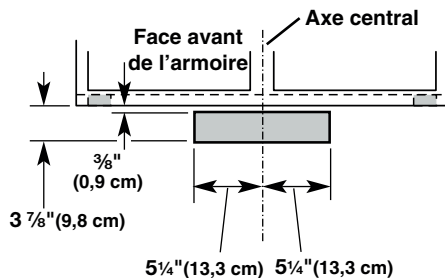
1. Tracer des lignes à ½" (1,3 cm) et 4¾" (12,1 cm) du mur arrière, sur l'axe central de la face inférieure de l'armoire.
2. Tracer des lignes à 5¼" (13,3 cm) de part et d'autre de l'axe central sur la face inférieure de l'armoire.
3. Utiliser une scie sauteuse ou une scie à guichet pour découper l'ouverture rectangulaire pour le passage du conduit d'évacuation.
4. Répéter les étapes 1 à 3 pour la face inférieure du sommet de l'armoire.



**Évacuation par le mur**

**Découpage d'une ouverture rectangulaire de 3½" x 10½" (8,9 cm x 26,7 cm) dans le mur :**

1. Mesurer 2 lignes de ⅜" (0,9 cm) et 3⅞" (9,8 cm) en descendant à partir de la face inférieure de l'armoire et marquer leur emplacement sur l'axe central du mur arrière.
2. Tracer des lignes à 5¼" (13,3 cm) de part et d'autre de l'axe central sur le mur.
3. Utiliser une scie sauteuse ou une scie à guichet pour découper l'ouverture rectangulaire dans le mur pour le passage du conduit d'évacuation.

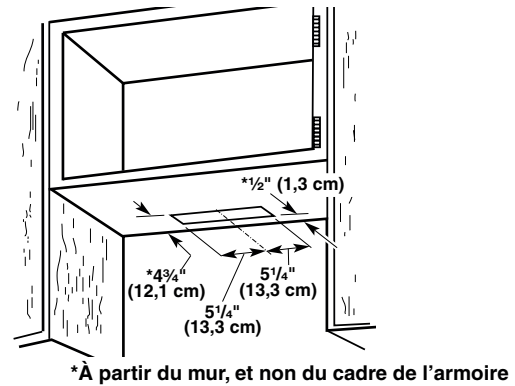


**Style 2 – Découpages d'ouverture pour un conduit d'évacuation rectangulaire de 3¼" x 10" (8,3 cm x 25,4 cm) sur raccord de transition rond.**

**Évacuation à travers le toit**

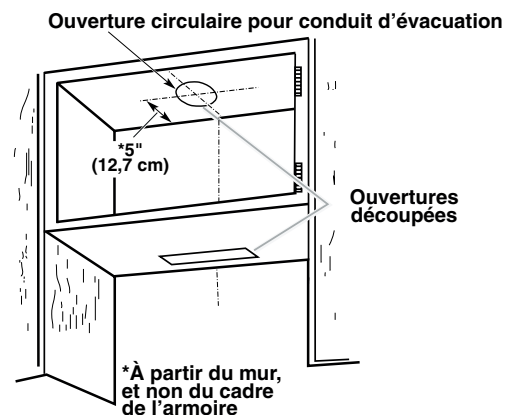
**Découpage d'une ouverture rectangulaire de 4¼" x 10½" (10,8 cm x 26,7 cm) sur la face inférieure de l'armoire :**

1. Tracer des lignes à ½" (1,3 cm) et 4¾" (12,1 cm) du mur arrière, sur l'axe central de la face inférieure de l'armoire.
2. Tracer des lignes à 5¼" (13,3 cm) de part et d'autre de l'axe central sur la face inférieure de l'armoire.
3. Utiliser une scie sauteuse ou une scie à guichet pour découper l'ouverture rectangulaire pour le passage du conduit d'évacuation.



**Découpage d'une ouverture circulaire sur la face inférieure du sommet de l'armoire :**

1. Tracer un axe central sur la face inférieure du sommet de l'armoire.
2. Tracer une ligne de 5" (12,7 cm) en partant du mur arrière sur la face inférieure du sommet de l'armoire.
3. Utiliser un compas ou un gabarit circulaire pour tracer un cercle avec un diamètre de ¼" (0,64 cm) supérieur à celui du conduit d'évacuation.
4. Utiliser une scie sauteuse ou une scie à guichet pour découper l'ouverture circulaire pour le passage du conduit d'évacuation.



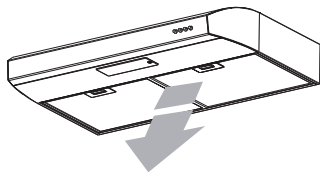
## Installation du conduit d'évacuation

1. Installer le conduit d'évacuation à travers les ouvertures découpées dans l'armoire murale ou le mur. Achever l'installation du système d'évacuation conformément à la méthode d'évacuation sélectionnée. Voir la section "Exigences concernant l'évacuation".
2. À l'aide d'un produit de calfeutrage, assurer l'étanchéité autour de la bouche de décharge à l'extérieur (à travers le mur ou le toit).

## Installation de la hotte

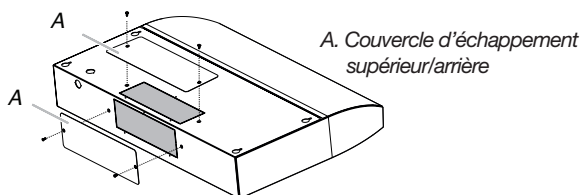
### Achever la préparation

1. Retirer les filtres à graisse. Voir la section "Entretien de la hotte".



- Selon votre installation, retirer l'opercule rectangulaire supérieur ou arrière du conduit d'évacuation. Si l'on utilise un conduit d'évacuation rond, retirer l'opercule arrachable rectangulaire supérieur.

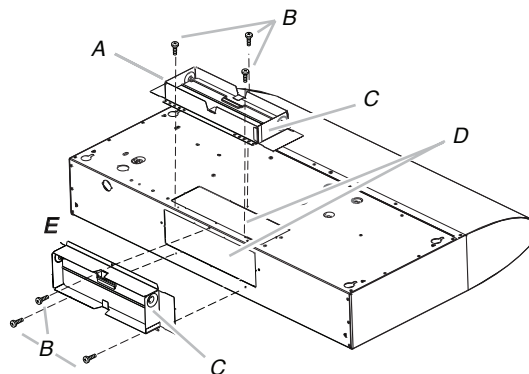
**REMARQUE:** Dans le cas vous décidez de changer votre sortie de ventilation, votre hotte de cuisinière est équipée d'un couvercle d'échappement supérieur/arrière pour couvrir le trou de sortie précédemment effectué.



- Veiller à ce que le pivot du clapet soit le plus proche possible du bord supérieur/arrière de la hotte.
- Enlever le ruban adhésif du volet du clapet.

**REMARQUE :** Le clapet/adaptateur d'évacuation peut être installé jusqu'à 1" (2,5 cm) de chaque côté du centre de la hotte pour pouvoir installer les conduits décentrés.

- Si l'on utilise un conduit rectangulaire, fixer les connecteurs rectangulaires du clapet/conduit à la hotte à l'aide de vis de tôlerie.

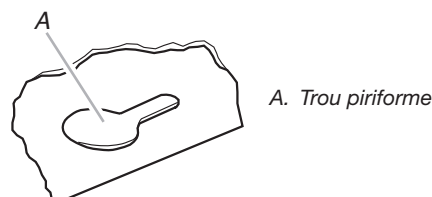


- A. Conduit vertical  
 B. Vis de tôlerie  
 C. Axe de charnière  
 D. Opercules arrachables du conduit d'évacuation  
 E. Conduit horizontal

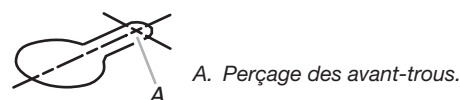
**REMARQUE :** Si la bouche de décharge murale est située directement derrière le connecteur de conduit, on doit veiller à empêcher toute interférence entre les clapets du connecteur et de la bouche de décharge murale. En cas d'interférence, supprimer le clapet du connecteur de conduit.

- En cas d'utilisation d'un conduit circulaire, fixer le raccord de transition (achat séparé) au sommet de la hotte à l'aide de vis de tôlerie.

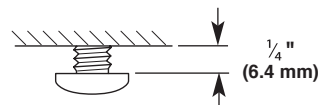
2. Soulever la hotte sous l'armoire et déterminer sa position d'installation finale en la centrant sous l'armoire. Sur la face inférieure de l'armoire, marquer l'emplacement des 4 trous allongés pour montage sur la hotte. Placer la hotte à part sur une surface couverte.



3. À l'aide d'un foret de 1/8" (3 mm), percer 4 avant-trous tel qu'illustré.



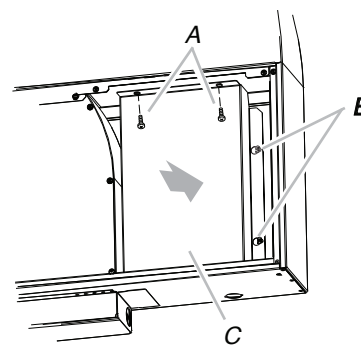
4. Installer les 4 vis de montage 4,5 x 13 mm dans les avant-trous. Laisser un espace d'environ 1/4" (6,4 mm) entre les têtes des vis et l'armoire pour faire glisser la hotte et la mettre en place.



5. Acheminer le câble d'alimentation du domicile selon les prescriptions du Code national de l'électricité ou des normes CSA et des codes et règlements locaux. La longueur du câblage depuis le tableau de distribution (avec fusibles ou disjoncteurs) doit être suffisante pour réaliser facilement le raccordement dans le boîtier de connexion de la hotte.

**REMARQUE :** Ne pas réalimenter avant d'avoir terminé l'installation.

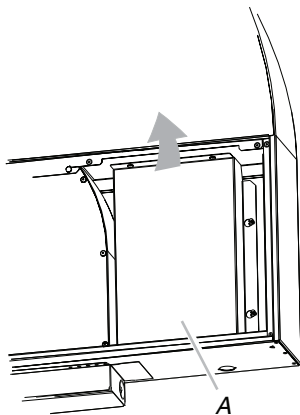
6. Ôter les vis du couvercle du boîtier de connexion. Faire ensuite glisser le couvercle vers le bord externe de la hotte pour placer l'extrémité large des trous de forme allongée sur les pattes de montage.



- A. Vis  
 B. Pattes de montage  
 C. Couvercle du boîtier de connexion

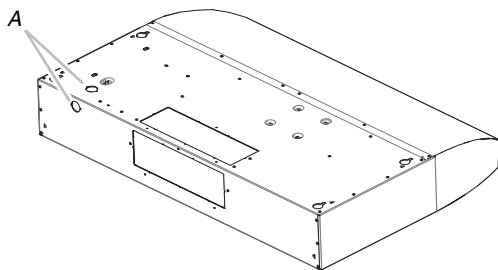


7. Pointer le couvercle du boîtier de connexion vers la tête de la vis pour le retirer. Retirer le couvercle du boîtier de connexion et le mettre de côté.



A. Couvercle de la boîte de connexion

8. Ôter l'opercule pour le passage de l'alimentation électrique du sommet ou de l'arrière de la hotte de ventilation (selon l'emplacement du point d'entrée du câble d'alimentation du domicile) et installer un serre-câbles de 1/2" (1,3 cm) homologué UL ou CSA.



A. Passage de l'alimentation électrique

9. À l'aide d'au moins deux personnes, soulever la hotte et la placer à son emplacement final. Insérer suffisamment de câble électrique à travers le serre-câble de 1/2" (homologation UL ou CSA) pour établir les connexions avec la boîte de connexion. Serrer les vis du serre-câbles.
10. Positionner les trous allongés de la hotte par-dessus la tête des vis de montage. Puis pousser la hotte vers le mur pour engager la partie étroite des trous sur les vis de fixation. Serrer les vis de montage en s'assurant que les vis sont dans la partie étroite des trous de fixation des vis.
11. Raccorder le circuit d'évacuation à la hotte. Assurer l'étanchéité des jointures avec des brides pour conduits.
12. Vérifier que les clapets anti-retour fonctionnent correctement.

## Raccordement électrique

### ⚠ AVERTISSEMENT



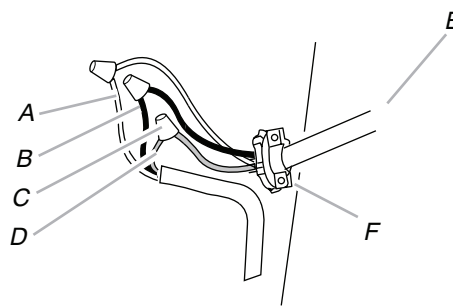
#### Risque de choc électrique

Déconnecter la source de courant électrique avant l'entretien.

Replacer pièces et panneaux avant de faire la remise en marche.

Le non-respect de ces instructions peut causer un décès ou un choc électrique.

1. Déconnecter la source de courant électrique.



- A. Conducteurs blancs  
 B. Conducteurs noirs  
 C. Capuchon de connexion homologué UL  
 D. Conducteurs verts (ou nus) ou jaunes-verts de liaison à la terre  
 E. Câble d'alimentation électrique du domicile  
 F. Serre-câble de 1/2" (homologation UL ou CSA)

2. Connecter ensemble les conducteurs blancs (A) à l'aide de connecteurs de fils (homologation UL).
3. Connecter les conducteurs noirs (B) aux connecteurs de fils (homologation UL).

### ⚠ AVERTISSEMENT



#### Risque de choc électrique

Relier le ventilateur à la terre.

Brancher le fil relié à la terre au fil vert et jaune relié à la terre dans la boîte de la borne.

Le non-respect de ces instructions peut causer un décès ou un choc électrique.

4. À l'aide des connecteurs de fils (homologation UL), connecter le conducteur de liaison à la terre (vert ou nu) du câble d'alimentation du domicile à la vis vert-jaune de liaison à la terre (C) dans le boîtier de connexion.
5. Réinstaller le couvercle du boîtier de connexion.
6. Vérifier que l'ampoule est bien fixée dans sa douille. Voir "Remplacement de la lampe DEL" dans la section Entretien de la hotte.
7. Rétablir l'alimentation électrique.

## Terminer l'installation

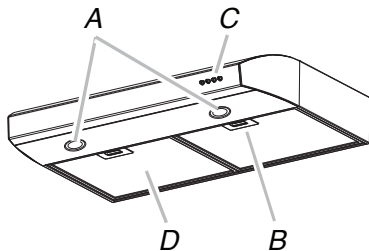
1. Réinstaller les filtres à graisse. Voir la section "Entretien de la hotte".
2. Contrôler le fonctionnement du ventilateur et de l'éclairage de la hotte. Voir la section "Utilisation de la hotte".  
Si la hotte ne fonctionne pas, déterminer si un disjoncteur s'est ouvert ou si un fusible du domicile est grillé. Déconnecter la source de courant électrique et inspecter les connexions du câblage.

**REMARQUE :** Pour pouvoir tirer le plus grand parti de la nouvelle hotte de cuisinière, lire la section "Utilisation de la hotte".

# UTILISATION DE LA HOTTE

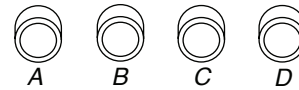
La hotte de cuisinière est conçue pour extraire fumée, vapeurs de cuisson et odeurs de la zone de la table de cuisson. Pour des résultats optimaux, mettre la hotte en marche avant d'entreprendre une cuisson, et la laisser fonctionner pendant plusieurs minutes après une cuisson afin d'évacuer toute odeur de cuisson et fumée de la cuisine.

Les commandes de la hotte se trouvent sur le panneau avant-droit de la hotte.



- A. Lampes à DEL
- B. Poignée du filtre à graisse
- C. Commandes du ventilateur et de l'éclairage
- D. Filtre à graisse

## Commandes de la hotte de cuisinière



- A. Bouton d'éclairage Marche/arrêt
- B. Bouton d'arrêt ventilateur et de vitesse minimale
- C. Bouton de vitesse modérée de ventilateur
- D. Bouton de vitesse maximale de ventilateur

## Fonctionnement de l'éclairage

Le bouton d'éclairage Marche/arrêt contrôle la lampe. Appuyer une fois sur le bouton pour allumer la lampe, puis une nouvelle fois pour l'éteindre.

## Utilisation du ventilateur

Les boutons BLOWER SPEED (vitesse du ventilateur) activent le ventilateur et contrôlent la vitesse du ventilateur et le niveau sonore pour un fonctionnement silencieux. On peut modifier la vitesse à tout moment pendant le fonctionnement du ventilateur en appuyant sur le bouton correspondant à la vitesse souhaitée. Appuyer une deuxième fois sur le bouton BLOWER OFF (arrêt ventilateur) pour arrêter le ventilateur.

# ENTRETIEN DE LA HOTTE

## Nettoyage

**IMPORTANT :** Nettoyer fréquemment la hotte et les filtres à graisse en suivant les instructions suivantes. Réinstaller les filtres à graisse avant de faire fonctionner la hotte.

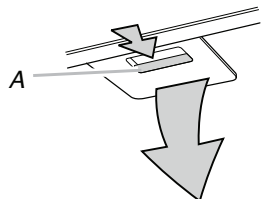
### Surfaces extérieures

**IMPORTANT :** Ne pas utiliser de tampons à récurer savonneux, de nettoyeurs abrasifs, de crème à polir pour table de cuisson, de tampons en laine d'acier, de chiffons de lavage rudes ou d'essuie-tout. **Méthode de nettoyage :**

- Frotter dans la direction du grain pour éviter de rayer ou d'endommager la surface.
- Nettoyant et poli pour acier inoxydable. Voir la section "Assistance ou service" pour commander.
- Détergent liquide ou nettoyeur tout usage : Rincer à l'eau propre et sécher avec un chiffon doux sans charpie.
- Nettoyant à vitre pour éliminer les traces de doigts.

## Filtre à graisse métallique

1. Retirer chaque filtre en tirant sur la poignée à ressort puis en tirant le filtre vers le bas.



A. Poignée à ressort

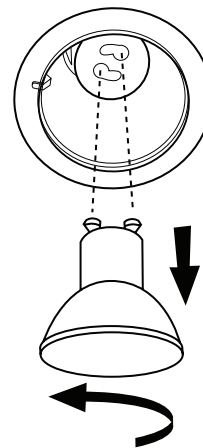
2. Laver le filtre métallique selon le besoin au lave-vaisselle ou avec une solution de détergent chaude.
3. Réinstaller le filtre en s'assurant que les poignées à ressort sont orientées vers l'avant. Insérer le filtre d'aluminium dans la rainure supérieure.
4. Enfoncer la poignée à ressort.
5. Pousser le filtre métallique vers le haut et relâcher la poignée pour l'emboîter.
6. Répéter les étapes 1 à 5 pour l'autre filtre.

## Remplacement des lampes DEL

Pour éviter d'endommager ou de réduire la longévité de l'ampoule neuve, ne pas toucher l'ampoule avec les doigts nus. Remplacer la lampe en la manipulant avec un mouchoir de papier ou des gants de coton.

Si les nouvelles lampes ne fonctionnent pas, vérifier que chaque lampe est correctement insérée dans sa douille avant de demander l'intervention d'un réparateur.

1. Déconnecter la source de courant électrique.
2. Pousser la plaque de verre vers le haut et la tourner dans le sens antihoraire.



3. Retirez et remplacez par une lampe Energy Star appropriée pour l'appareil: 120 volts, 6,5 watts maximum avec une base GU10. La tourner dans le sens horaire pour l'emboîter.
4. Répéter les étapes 2 et 3 pour les autres lampes, si nécessaire.
5. Rétablir l'alimentation électrique.

# SCHÉMA DE CÂBLAGE

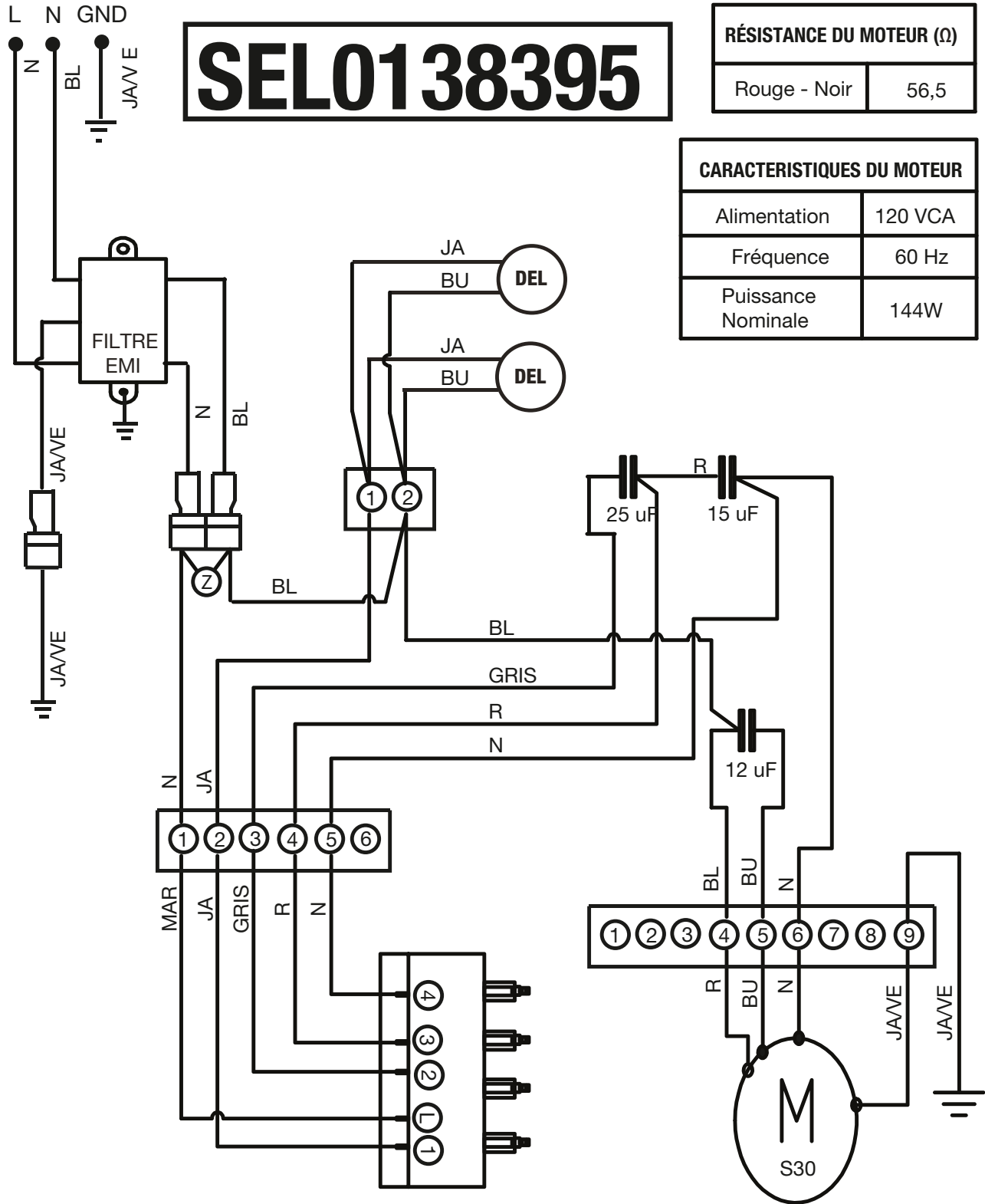
## SEL0138395

### RÉSISTANCE DU MOTEUR (Ω)

Rouge - Noir	56,5
--------------	------

### CARACTERISTIQUES DU MOTEUR

Alimentation	120 VCA
Fréquence	60 Hz
Puissance Nominale	144W



---

# ASSISTANCE OU DÉPANNAGE

---

Avant d'appeler pour de l'assistance ou du dépannage, avoir à portée de la main la date d'achat et les numéros de modèle et de série complets de l'appareil. Ces renseignements nous aideront à mieux répondre à votre demande.

## Si vous avez besoin de pièces de rechange

Pour commander des pièces de rechange, nous vous recommandons d'utiliser seulement des pièces spécifiées par l'usine. Les pièces spécifiées par l'usine fonctionneront bien, car elles sont fabriquées selon la même précision que celle utilisée pour fabriquer chaque nouvel appareil. Pour savoir où trouver des pièces de rechange spécifiées par l'usine dans votre région, appelez-nous ou communiquez avec le centre de service désigné le plus proche.

---

## Aux É.-U.

Appelez sans frais le Centre pour l'eXpérience de la clientèle de Whirlpool au  
**1-800-253-1301**

### Nos conseillers peuvent vous aider sur les points suivants :

- Caractéristiques et spécifications de notre gamme complète d'appareils ménagers.
- Renseignements sur l'installation.
- Procédures d'utilisation et d'entretien.
- Vente d'accessoires et de pièces de rechange.
- Assistance spécialisée au client (langue espagnole, malentendants, malvoyants, etc.).
- Orientation vers des concessionnaires, compagnies de service de réparation et distributeurs de pièces de rechange locaux. Les techniciens de service désignés par Whirlpool sont formés pour remplir la garantie des produits et fournir un service après garantie partout aux États-Unis.

Pour localiser le service d'entretien de votre région désigné par Whirlpool, consultez aussi les Pages jaunes.

### Pour plus d'assistance

Pour obtenir plus d'aide, écrivez à Whirlpool Corporation et soumettez toute question ou tout problème à :

Whirlpool Brand Home Appliances  
Customer eXperience Center  
553 Benson Road  
Benton Harbor, MI 49022-2692

Veillez indiquer dans votre correspondance un numéro de téléphone où l'on peut vous joindre dans la journée.

---

## Au Canada

Appelez sans frais le Centre pour l'eXpérience de la clientèle canadienne de Whirlpool au **1-800-807-6777**

### Nos conseillers peuvent vous aider sur les points suivants :

- Caractéristiques et spécifications de notre gamme complète d'appareils ménagers.
- Procédures d'utilisation et d'entretien.
- Vente d'accessoires et de pièces de rechange.
- Assistance spécialisée au client (langue espagnole, malentendants, malvoyants, etc.).
- Orientation vers des revendeurs, distributeurs de pièces de rechange et services de réparation locaux. Les techniciens de service désignés par Whirlpool Canada LP sont formés pour remplir la garantie des produits et fournir un service après la garantie, partout au Canada.

### Pour plus d'assistance

Pour obtenir plus d'assistance, écrivez à Whirlpool Canada LP et soumettez toute question ou tout problème à :

Customer eXperience Centre  
Whirlpool Canada LP  
200 – 6750 Century Ave.  
Mississauga, Ontario L5N 0B7

Veillez indiquer dans votre correspondance un numéro de téléphone où l'on peut vous joindre dans la journée.

---

## Accessoires

### Nettoyant et poli pour acier inoxydable

Commander la pièce n° 31462A





