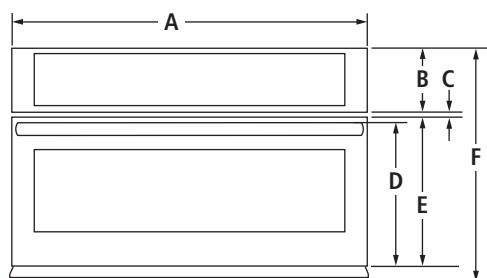


BUILT-IN MICROWAVE OVENS

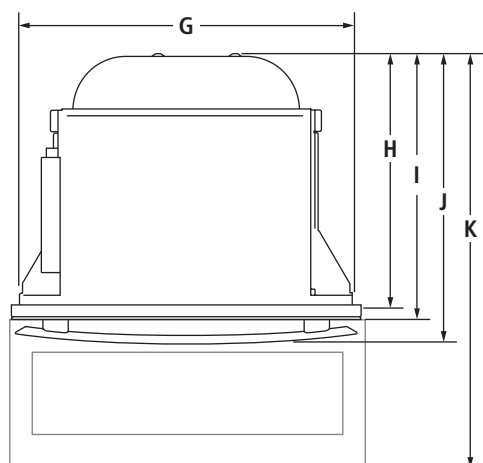
JMC2430D – 29³/₄" x 19⁷/₈" x 24³/₄"

JMC2427D – 26³/₄" x 19⁷/₈" x 24¹¹/₁₆"

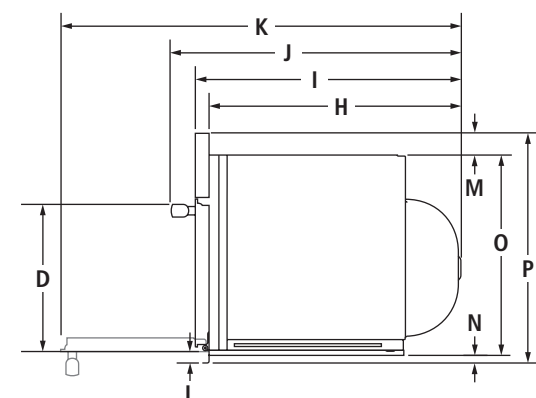
PRODUCT DIMENSIONS



FRONT VIEW



TOP VIEW



SIDE VIEW

MODEL #		JMC2430D		JMC2427D	
		in	cm	in	cm
A	Overall width	29 ³ / ₄	75.6	26 ³ / ₄	68.0
B	Height of control panel	5 ¹ / ₂	14.0	5 ¹ / ₂	14.0
C	Space between control panel and door				
	Pro-Style® Stainless	7 ¹ / ₁₆	1.1	—	—
	Euro-Style Stainless	7 ¹ / ₁₆	1.1	7 ¹ / ₁₆	1.1
D	Height to top of handle				
	Pro-Style® Stainless	12 ³ / ₈	31.4	—	—
	Euro-Style Stainless	12 ³ / ₁₆	31.0	12 ³ / ₁₆	31.0
	Black Floating Glass	12 ³ / ₁₆	31.0	—	—
E	Height of door	12 ³ / ₄	32.3	12 ³ / ₄	32.3
F	Overall height	19 ⁷ / ₈	50.3	19 ⁷ / ₈	50.3
G	Width of recessed oven	28 ³ / ₈	72.1	25 ³ / ₈	64.5
H	Depth of recessed oven	21 ¹ / ₂	54.6	21 ¹ / ₂	54.6
I	Depth with door				
	Pro-Style® Stainless	22 ¹¹ / ₁₆	57.7	—	—
	Euro-Style Stainless	22 ¹¹ / ₁₆	57.7	22 ⁵ / ₈	57.5
	Black Floating Glass	22 ⁵ / ₈	57.5	—	—
J	Depth with handle				
	Pro-Style® Stainless	25 ³ / ₈	64.4	—	—
	Euro-Style Stainless	24 ³ / ₄	62.9	24 ¹¹ / ₁₆	62.8
	Black Floating Glass	24 ¹¹ / ₁₆	62.8	—	—
K	Depth with door fully open				
	Pro-Style® Stainless	34 ³ / ₈	87.4	—	—
	Euro-Style Stainless	34 ³ / ₈	87.4	34 ³ / ₈	87.4
	Black Floating Glass	34 ¹ / ₂	87.6	—	—
L	Height of trim				
	Pro-Style® Stainless	1 ¹ / ₈	2.9	—	—
	Euro-Style Stainless	1 ¹ / ₈	2.9	1 ³ / ₁₆	3.0
	Black Floating Glass	1 ³ / ₁₆	3.0	—	—
M	Height from top of recessed oven to top of control panel	1 ¹⁵ / ₁₆	5.0	1 ¹⁵ / ₁₆	5.0
N	Height from bottom of recessed oven to bottom of trim	5 ⁵ / ₈	1.6	5 ⁵ / ₈	1.6
O	Height of recessed oven	17 ³ / ₈	44.1	17 ³ / ₈	44.1
P	Height to top of control panel	19 ³ / ₁₆	48.8	19 ³ / ₁₆	48.8

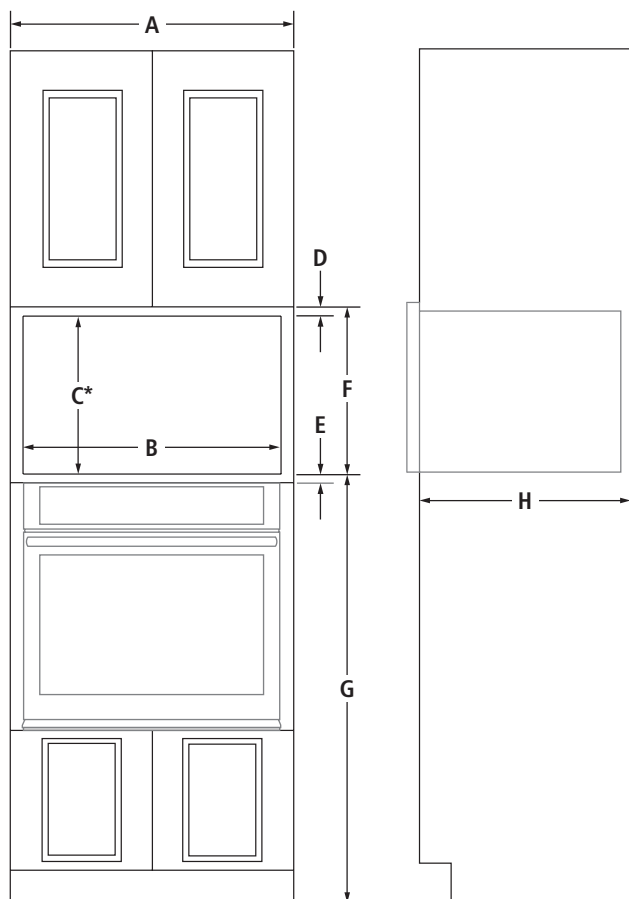
IMPORTANT: Dimensional specifications are provided for planning purposes only. Do not make any cutouts based on this information. Refer to the Installation Guide before selecting cabinetry, verifying electrical/gas connections, making cutouts or beginning installation. All Jenn-Air® appliances are appropriately UL, CUL or CSA approved.

BUILT-IN MICROWAVE OVENS

JMC2430D – 29¾" x 19⅞" x 24¾"

JMC2427D – 26¾" x 19⅞" x 24⅞"

OPENING/CLEARANCE DIMENSIONS



FRONT VIEW – INSTALLATION OVER SINGLE OVEN

SIDE VIEW

Approved models: JJW3430D, JJW2430D, JJW2427D

MODEL #		JMC2430D		JMC2427D	
		in	cm	in	cm
A	Width of cabinet (min.)	30	76.2	27	68.6
B	Width of cutout	28½	72.4	25½	64.8
C*	Height of cutout	17⅞-17¾	44.1-45.1	17⅞-17¾	44.1-45.1
D	Top of cutout to bottom of upper cabinet (min.)	2⅜	5.5	2⅜	5.5
E	Bottom of cutout to top of single oven (min.)	1	2.5	1	2.5
	Bottom of cutout to top of cabinet door (min.)	1½	3.8	1½	3.8
F	Bottom of cutout to bottom of upper cabinet door	19⅞	50.3	19⅞	50.3
G	Bottom of cutout to floor (recommended)	40	101.6	40	101.6
H	Depth of cutout (min.)	21⅞	55.5	21⅞	55.5

*Optional spacer kits are available for a cutout height of 19"-19⅜" (48.3-50.2 cm).

ELECTRICAL REQUIREMENTS

240 volt, 20-amp fused, grounded circuit is required. A dedicated circuit is recommended.

The length of conduit provided is for serviceability. Do not cut the conduit. The junction box should be located 3" (7.6 cm) maximum below the support surface. Drill a 1" (2.5 cm) minimum diameter hole in the left rear corner of the support surface for access to the junction box.

If the junction box is on the rear wall behind the oven, it must be recessed and located in any corner of the cabinet.

LOCATION REQUIREMENTS

Support structure must be able to support 90 lb (41.0 kg) including microwave oven and contents.

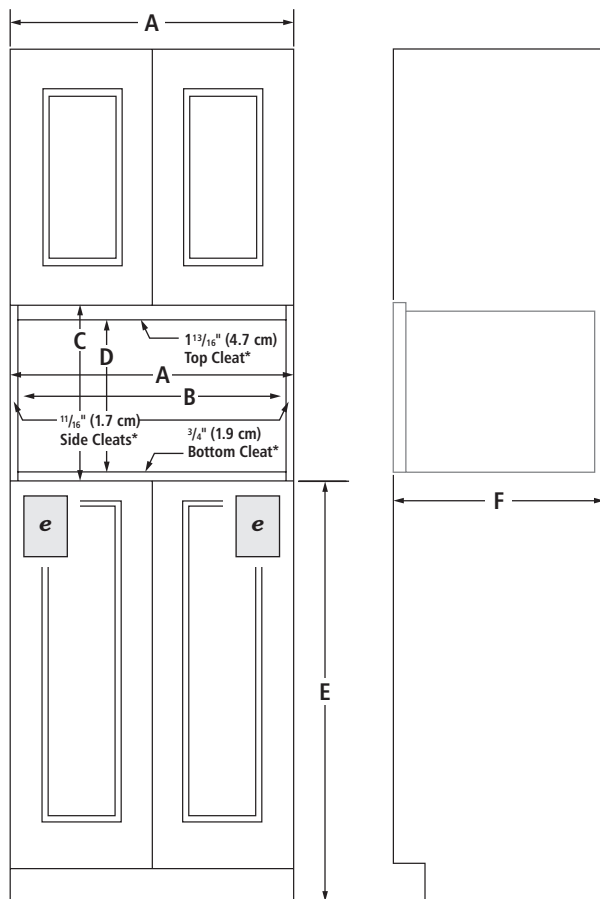
IMPORTANT: Dimensional specifications are provided for planning purposes only. Do not make any cutouts based on this information. Refer to the Installation Guide before selecting cabinetry, verifying electrical/gas connections, making cutouts or beginning installation. All Jenn-Air® appliances are appropriately UL, CUL or CSA approved.

BUILT-IN MICROWAVE OVENS – FLUSH INSTALLATION

JMC2430D – 29¾" x 19⅞" x 22⅛" (depth without handle)

JMC2427D – 26¾" x 19⅞" x 22⅝" (depth without handle)

OPENING/CLEARANCE DIMENSIONS



FRONT VIEW

SIDE VIEW

MODEL #	JMC2430D		JMC2427D	
	in	cm		
A	Width of flush inset cutout (min.)	30¼ 76.8	27¼ 69.2	
B	Width of opening (min.)	28⅞ 70.8	25⅞ 65.7	
C	Height of flush inset cutout (min.)	20⅜ 51.3	20⅜ 51.3	
D	Height of opening (min.)	17⅝ 44.7	17⅝ 44.7	
E	Bottom of cutout to floor	40 101.6	40 101.6	
F	Depth of cutout (min.)	23¼ 59.0	23¼ 59.0	
e	Recommended junction box location			

ELECTRICAL REQUIREMENTS

240 volt, 20-amp fused, grounded circuit is required. A dedicated circuit is recommended.

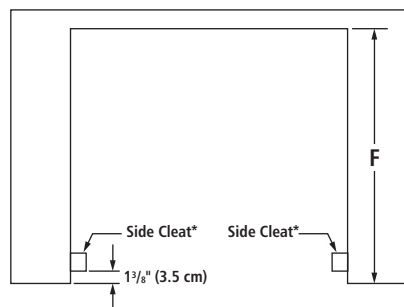
The length of conduit provided is for serviceability. Do not cut the conduit. The junction box should be located 3" (7.6 cm) maximum below the support surface. Drill a 1" (2.5 cm) minimum diameter hole in the left rear corner of the support surface for access to the junction box.

FLUSH INSTALLATION REQUIREMENTS

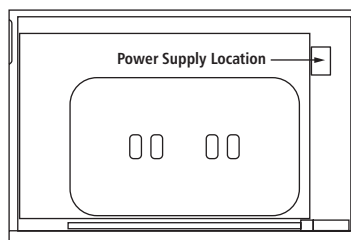
A 23¼" (59.0 cm) minimum cutout depth is required.

These dimensions will result in a ¼" (0.6 cm) reveal on the top, a ¼" (0.6 cm) reveal on the sides and a ⅛" (0.3 cm) reveal on the bottom of the microwave oven.

The front face of the cleats and platform will be visible and should be treated as a finished surface.



TOP VIEW



BACK VIEW

*Cleats and platform must be recessed 1⅜" (3.5 cm) from the front of the cabinet.

IMPORTANT: Dimensional specifications are provided for planning purposes only. Do not make any cutouts based on this information. Refer to the Installation Guide before selecting cabinetry, verifying electrical/gas connections, making cutouts or beginning installation. All Jenn-Air® appliances are appropriately UL, CUL or CSA approved.