



# High-Efficiency Top-Loading Washer Use and Care Guide

# Laveuse à chargement par le dessus À haute efficacité Guide d'utilisation et d'entretien

---

Para una versión de estas instrucciones en español, visite [www.whirlpool.com](http://www.whirlpool.com)

---

## Table of Contents

WASHER SAFETY .....	2
CONTROL PANEL AND FEATURES .....	4
CYCLE GUIDE.....	5
USING YOUR WASHER.....	6
WASHER MAINTENANCE .....	9
TROUBLESHOOTING .....	10
WARRANTY .....	14
ASSISTANCE OR SERVICE .....	Back Cover

## Table des matières

SÉCURITÉ DE LA LAVEUSE .....	15
TABLEAU DE COMMANDE ET CARACTÉRISTIQUES.....	17
GUIDE DE PROGRAMMES .....	18
UTILISATION DE LA LAVEUSE .....	19
ENTRETIEN DE LA LAVEUSE .....	22
DÉPANNAGE .....	24
GARANTIE .....	29
ASSISTANCE OU SERVICE.....	Couverture arrière

# Washer Safety

## Your safety and the safety of others are very important.

We have provided many important safety messages in this manual and on your appliance. Always read and obey all safety messages.



This is the safety alert symbol.

This symbol alerts you to potential hazards that can kill or hurt you and others.

All safety messages will follow the safety alert symbol and either the word "DANGER" or "WARNING." These words mean:

**! DANGER**

**You can be killed or seriously injured if you don't immediately follow instructions.**

**! WARNING**

**You can be killed or seriously injured if you don't follow instructions.**

All safety messages will tell you what the potential hazard is, tell you how to reduce the chance of injury, and tell you what can happen if the instructions are not followed.

## IMPORTANT SAFETY INSTRUCTIONS

**WARNING:** To reduce the risk of fire, electric shock, or injury to persons when using the washer, follow basic precautions, including the following:

- Read all instructions before using the washer.
- Do not wash articles that have been previously cleaned in, washed in, soaked in, or spotted with gasoline, dry-cleaning solvents, other flammable, or explosive substances as they give off vapors that could ignite or explode.
- Do not add gasoline, dry-cleaning solvents, or other flammable, or explosive substances to the wash water. These substances give off vapors that could ignite or explode.
- Under certain conditions, hydrogen gas may be produced in a hot water system that has not been used for 2 weeks or more. **HYDROGEN GAS IS EXPLOSIVE.** If the hot water system has not been used for such a period, before using the washing machine, turn on all hot water faucets and let the water flow from each for several minutes. This will release any accumulated hydrogen gas. As the gas is flammable, do not smoke or use an open flame during this time.
- Do not allow children to play on or in the washer. Close supervision of children is necessary when the washer is used near children.
- Before the washer is removed from service or discarded, remove the door or lid.
- Do not reach into the washer if the drum, tub or agitator is moving.
- Do not install or store the washer where it will be exposed to the weather.
- Do not tamper with controls.
- Do not repair or replace any part of the washer or attempt any servicing unless specifically recommended in this manual or in published user-repair instructions that you understand and have the skills to carry out.
- See "Electrical Requirements" located in the installation instructions for grounding instructions.

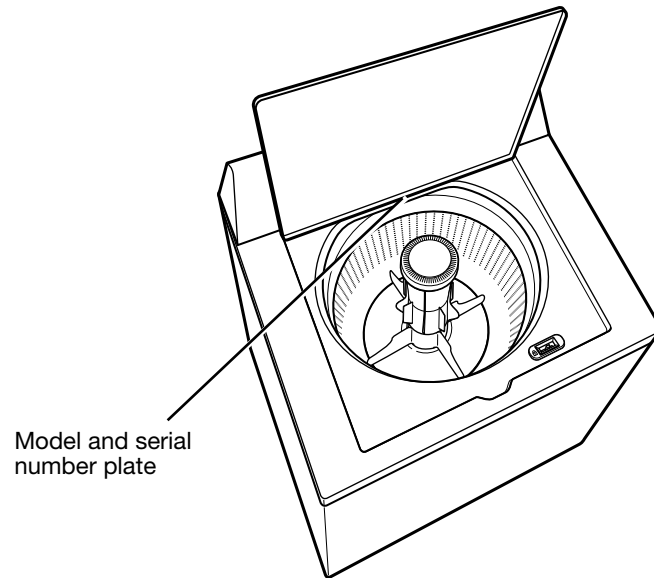
**SAVE THESE INSTRUCTIONS**

State of California Proposition 65 Warnings:

**WARNING:** This product contains one or more chemicals known to the State of California to cause cancer.

**WARNING:** This product contains one or more chemicals known to the State of California to cause birth defects or other reproductive harm.

## Model and Serial Number Location



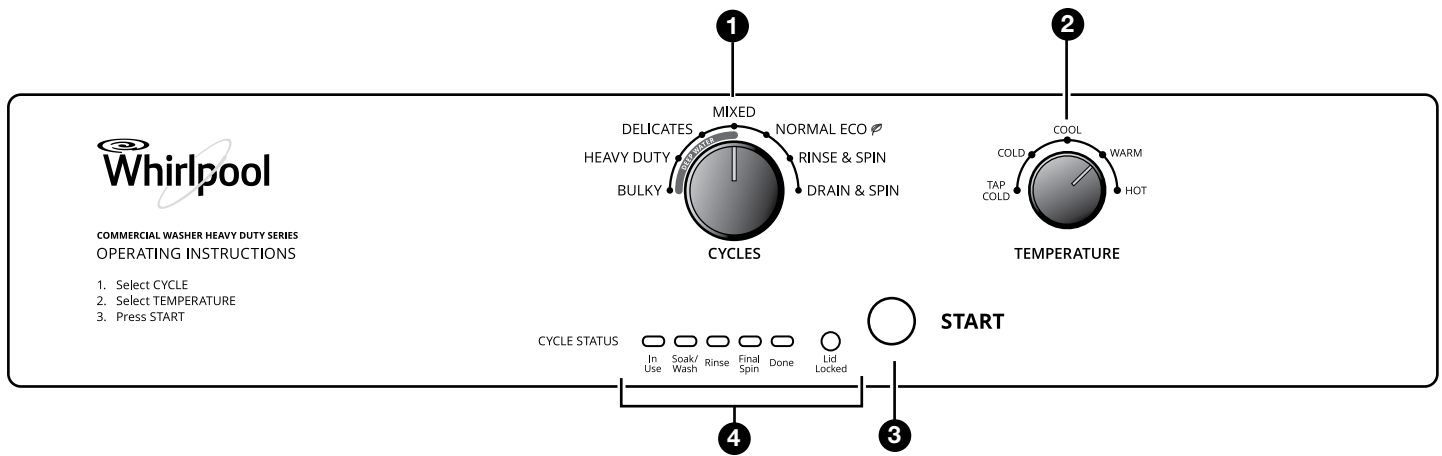
For future reference, please record the numbers below:

**Model Number** \_\_\_\_\_

**Serial Number** \_\_\_\_\_

**Key Code Number** \_\_\_\_\_

# Control Panel and Features



Not all features and options are available on all models.  
Appearance may vary.

## 1 WASH CYCLE KNOB

Use the Wash Cycle knob to select cycles on your washer. Knob does not advance during the progress of the cycle – see cycle status lights for each stage of the process. See “Cycle Guide” for detailed descriptions of cycles.

Select the cycle most suitable for your load. Items need to move freely. Tightly packing can lead to poor cleaning performance and may increase wrinkling and tangling.

## 2 TEMPERATURE

Temperature senses and maintains uniform water temperatures by regulating incoming hot and cold water.

Select a wash temperature based on the type of fabric and soils being washed. For best results, and following the garment label instructions, use the warmest wash water safe for your fabric.

- Normal Eco, Warm, and Hot water may be cooler than your previous washer. Deep Water cycles will provide higher temperatures for the wash cycle.
- Even in a cold and cool water wash, some warm water may be added to the washer to maintain a minimum temperature.

## 3 START BUTTON

Press to start the selected cycle. To unlock the lid during Final Spin, press and hold for 3 seconds to pause the cycle. Press and hold for 10 seconds to cancel a cycle.

**NOTE:** The lid will unlock once the basket stops spinning.

## 4 CYCLE STATUS LIGHTS INDICATOR



The Cycle Status lights show the progress of a cycle. At each stage of the process, you may notice sounds or pauses that are different from traditional washers.

### IN USE

This LED illuminates after the cycle starts and remains illuminated until the cycle is complete.

### SOAK/WASH

This LED remains illuminated during the Wash portion of the cycle.

### RINSE

This LED remains illuminated during the Rinse portion of the cycle. Fabric softener can be added at this stage of the cycle.

### FINAL SPIN/LID LOCKED

The Final Spin LED and the Lid Locked LED will both remain illuminated during this portion of the cycle. If you need to open the lid prior to cycle completion, press and hold START for 3 seconds.

### DONE

This LED illuminates when the cycle is complete and will turn off when the lid is open.

# Cycle Guide

For best fabric care, choose the cycle that best fits the load being washed.  
Not all cycles and options are available on all models.

Items to wash:	Cycle:	Wash Temperature*:	Spin Speed:	Cycle Details:
Cottons, linens	Normal Eco	Hot Warm Cool Cold Tap Cold	High	Use this cycle for normally soiled cottons.
Mixed-garment loads	Mixed	Hot Warm Cool Cold Tap Cold	High	Use this cycle for a wide variety of mixed-garment loads. This cycle features a deep bath rinse.
Sturdy items and mixed-garment loads	Heavy Duty	Hot Warm Cool Cold Tap Cold	High	Use this cycle for heavily soiled or sturdy items. This cycle features a deep bath rinse.
No-iron fabrics, perm. press, synthetics, machine-wash silks, hand-washed fabrics	Delicates	Hot Warm Cool Cold Tap Cold	Low	Use this cycle to wash lightly soiled loads of no-iron fabrics such as sport shirts, blouses, casual business clothes, permanent press, and blends. Also use to wash lightly soiled garments indicating "Machine Washable Silks" or "Gentle" cycle on the care label. Place small items in mesh garment bags before washing. This cycle features a deep bath rinse.
Large items such as sheets, sleeping bags, small comforters, jackets, small washable rugs	Bulky	Hot Warm Cool Cold Tap Cold	High	Use this cycle to wash large items such as jackets and small comforters. The washer will fill with enough water to wet down the load before the Wash portion of the cycle begins and uses a higher water level than other cycles.
Swimsuits and items requiring rinsing without detergent	Rinse & Spin	Cold	High	Use this cycle to wash swimsuits or items requiring rinsing without detergent. The washer combines a rinse and a high-speed spin for loads requiring an additional rinse cycle or to complete a load after a power interruption. Also, use this cycle for loads that require rinsing only.
Hand-washed items or dripping wet items	Drain & Spin	N/A	High	Use this cycle to drain the washer after cancelling a cycle or completing a cycle after a power interruption. This cycle uses a high-speed spin to reduce drying times for heavy items or hand-washed items.

\*All rinses are cold.

# Using Your Washer

## ⚠ WARNING



### Fire Hazard

Never place items in the washer that are dampened with gasoline or other flammable fluids.

No washer can completely remove oil.

Do not dry anything that has ever had any type of oil on it (including cooking oils).

Doing so can result in death, explosion, or fire.

## ⚠ WARNING



### Electrical Shock Hazard

Plug into a grounded 3 prong outlet.

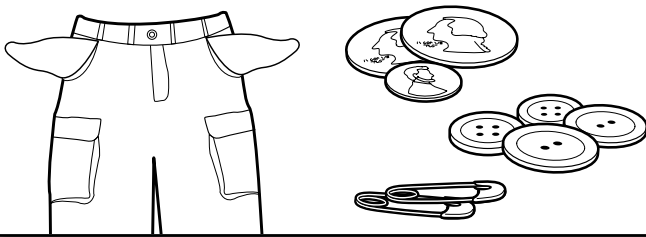
Do not remove ground prong.

Do not use an adapter.

Do not use an extension cord.

Failure to follow these instructions can result in death, fire, or electrical shock.

## 1. Sort and prepare your laundry



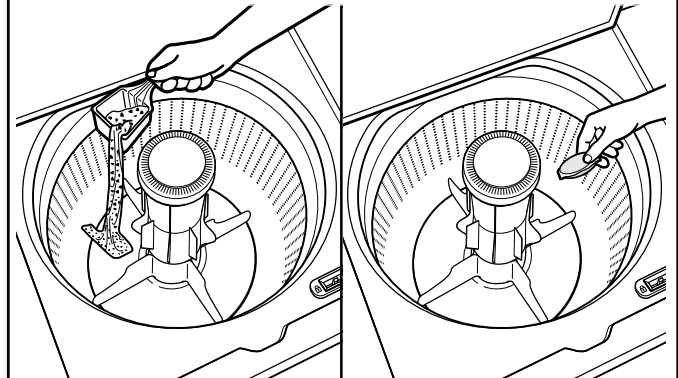
- Empty pockets. Loose change, buttons, or any small object can pass under the agitator and become trapped, causing unexpected sounds.
- Sort items by recommended cycle, water temperature, and colorfastness.
- Separate heavily soiled items from lightly soiled.
- Separate delicate items from sturdy fabrics.
- Do not dry garments if stains remain after washing, because heat can set stains into fabric.
- Treat stains promptly.
- Close zippers, fasten hooks, tie strings and sashes, and remove non-washable trim and ornaments.
- Mend rips and tears to avoid further damage to items during washing.

### Helpful Tips:

- When washing waterproof or water-resistant items, load evenly.
- Use mesh garment bags to help avoid tangling when washing delicate or small items.
- Turn knits inside out to avoid pilling. Separate lint-takers from lint-givers. Synthetics, knits, and corduroy fabrics will pick up lint from towels, rugs, and chenille fabrics.
- For best performance, heavier items like jeans, towels, and blankets should be placed in first so they are at the bottom of the mixed load.

**NOTE:** Always read and follow fabric care label instructions to avoid damage to your garments.

## 2. Add laundry products



**IMPORTANT:** Add a measured amount of detergent or single-dose laundry packet into the basket.

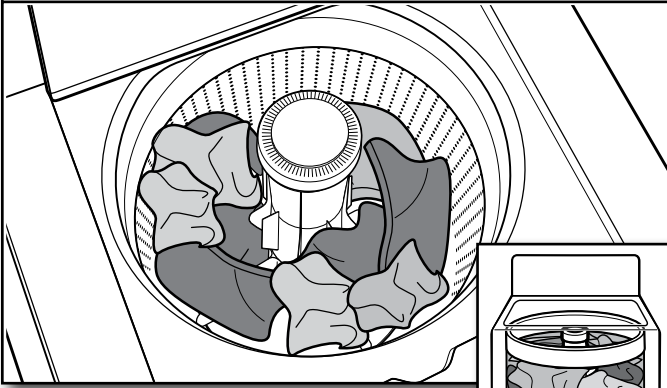
If using Oxi-type boosters, color-safe bleach, or fabric softener crystals, add to the bottom of the washer basket before adding clothes.

If using liquid chlorine bleach (optional), manually add product to wash water.

Do not overfill, dilute, or use more than 1 cup (250 mL) of liquid chlorine bleach. Do not use color-safe bleach or Oxi products in the same cycle with liquid chlorine bleach.

**NOTE:** Follow the manufacturer's instructions to determine the amount of laundry products to use. Manufacturer suggests using HE detergent.

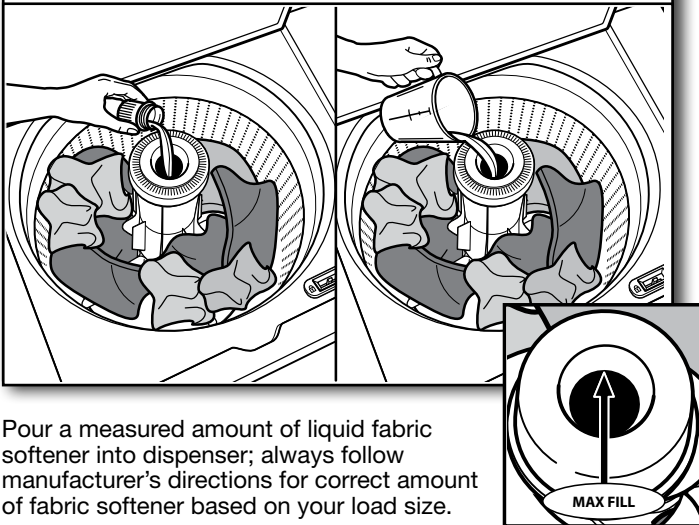
### 3. Load laundry into washer



Load garments in loose heaps evenly around basket wall. For best results, do not pack the load tightly. Do not wrap large items such as sheets around the agitator; load them in loose piles around the sides of the basket. Try mixing different sized items to reduce tangling.

**IMPORTANT:** Do not tightly pack or force items into washer. Items need to move freely for best cleaning and to reduce wrinkling and tangling. Load heavier items in first. Do not load above agitator cap. Do not load clothes above white inner collar.

### 4. Adding fabric softener to optional dispenser



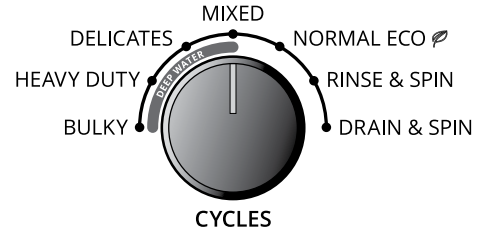
Pour a measured amount of liquid fabric softener into dispenser; always follow manufacturer's directions for correct amount of fabric softener based on your load size.

Dilute liquid fabric softener by filling the dispenser with warm water until liquid reaches the underside of the rim. See max fill line arrows.

#### Adding Liquid Fabric Softener Manually to Wash Load

During the final rinse, wait until the washer has completed filling. At that time, water valve will shut off and you will not hear any water entering the washer. Lift the lid and add the measured recommended amount of liquid fabric softener. Do not use more than the recommended amount. Close lid.

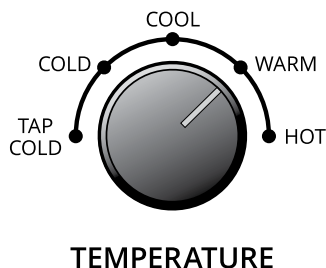
### 5. Select cycle



Appearance may vary.

Turn Cycle knob to choose your wash cycle. For more information, see "Cycle Guide."

## 6. Select TEMPERATURE



Once you select a cycle, select the desired wash temperature by turning the Temperature knob to the appropriate setting based on your load. All rinses are tap cold.

**NOTE:** Always read and follow fabric care label instructions to avoid damage to your garments.

Temperature	Suggested Fabrics
<b>Hot</b> Some cold water is added to save energy. This will be cooler than your hot water heater setting.	Whites and pastels Durable garments Heavy soils
<b>Warm</b> Some cold water will be added, so this will be cooler than what your previous washer provided.	Bright colors Moderate to light soils
<b>Cool</b> Warm water may be added to assist in soil removal and to help dissolve detergents.	Colors that bleed or fade Light soils
<b>Cold</b> This is the temperature from your faucet. If your tap cold water is less than 50°F (10°C), warm water may be added to assist in soil removal and help dissolve detergent.	Dark colors that bleed or fade Light soils
<b>Tap Cold</b> This is the temperature from your faucet.	Dark colors that bleed or fade Light soils

## 7. Press START to begin wash cycle



Press the Start button to start the wash cycle. When the cycle has finished, the Done indicator will light. Promptly remove garments after cycle has completed to avoid odor, reduce wrinkling, and avoid rusting of metal hooks, zippers, and snaps.



# Washer Maintenance

## WATER INLET HOSES

Replace inlet hoses after 5 years of use to reduce the risk of hose failure. Periodically inspect and replace inlet hoses if bulges, kinks, cuts, wear, or leaks are found.

When replacing your inlet hoses, mark the date of replacement on the label with a permanent marker.

## WASHER CARE

### Recommendations to Help Keep Your Washer Clean and Performing at Its Best

1. Always follow the detergent manufacturer's instructions regarding the amount of detergent to use. Never use more than the recommended amount because that may increase the rate at which detergent and soil residue accumulate inside your washer which, in turn, may result in undesirable odor.
2. Use warm and hot wash water settings sometimes (not exclusively cold water washes), because they do a better job of controlling the rate at which soils and detergent accumulate.
3. Always leave the washer lid open between uses to help dry out the washer and prevent the buildup of odor-causing residue.

### Cleaning Your Top Loading Washer

Read these instructions completely before beginning the routine cleaning processes recommended below. This Washer Maintenance Procedure should be performed, at a minimum, once per month or every 30 wash cycles, whichever occurs sooner, to control the rate at which soils and detergent may otherwise accumulate in your washer.

### Cleaning the Inside of the Washer

To keep your washer odor-free, follow the usage instructions provided above, and use this recommended cleaning procedure:

### Recommended Cycle for Cleaning the Washer

For optimal cleaning use chlorine bleach:

- a. Open the washer lid and remove any clothing or items.
- b. Add 1 cup (236 mL) of liquid chlorine bleach to the wash basket.

**NOTE:** Use of more liquid chlorine bleach than is recommended above could cause washer damage over time.

- c. Close the washer lid.
- d. Do not add any detergent or other chemical to the washer when following this procedure.
- e. Select the Heavy Duty cycle.
- f. Press the Start button to start the cycle.

**NOTE:** Do not interrupt cycle.

### Cleaning the Optional Fabric Softener Dispenser

After a period of using your washer, you may find some residue buildup in the dispenser. To remove residue from the dispenser, wipe with a damp cloth and towel dry. Use an all-purpose surface cleaner, if needed.

### Cleaning the Outside of the Washer

Use a soft, damp cloth or sponge to wipe away any spills. Use only mild soaps or cleaners when cleaning external washer surfaces.

**IMPORTANT:** To avoid damaging the washer's finish, do not use abrasive products.

**NOTE:** The Clean Washer cycle should be used 1 or 2 times a year. Check the Tech Sheet for access to the Clean Washer cycle in the Diagnostic Test Mode.

## NON-USE AND VACATION CARE

If moving, or not using your washer for a period of time, follow these steps:

1. Unplug or disconnect power to washer.
2. Turn off water supply to washer, to avoid flooding due to water pressure surge.

## WINTER STORAGE CARE

**IMPORTANT:** To avoid damage, install and store washer where it will not freeze. Because some water may stay in hoses, freezing can damage washer. If storing or moving during freezing weather, winterize your washer.

### To winterize washer:

1. Shut off both water faucets; disconnect and drain water inlet hoses.
2. Put 1 qt. (1 L) of R.V.-type antifreeze in basket and run a wash cycle for about 30 seconds to mix antifreeze and remaining water.
3. Unplug washer or disconnect power.

## TRANSPORTING YOUR WASHER

1. Shut off both water faucets. Disconnect and drain water inlet hoses.
2. If washer will be moved during freezing weather, follow "Winter Storage Care" directions before moving.
3. Disconnect drain hose from drain system and drain any remaining water into a pan or bucket. Disconnect drain hose from back of washer.
4. Unplug power cord.
5. Place inlet hoses and drain hose inside washer basket.
6. Drape power cord over edge and into washer basket.
7. Place packing tray from original shipping materials back inside washer. If you do not have packing tray, place heavy blankets or towels into basket opening. Close lid and place tape over lid and down front of washer. Keep lid taped until washer is placed in new location.
8. Reinstall bottom shipping cone if available.

## ⚠ WARNING



### Electrical Shock Hazard

**Plug into a grounded 3 prong outlet.**

**Do not remove ground prong.**

**Do not use an adapter.**

**Do not use an extension cord.**

**Failure to follow these instructions can result in death, fire, or electrical shock.**

## REINSTALLING/USING WASHER AGAIN

To reinstall washer after non-use, vacation, winter storage, or moving:

1. Refer to Installation Instructions to locate, level, and connect washer.
2. Before using again, run washer through the following recommended procedure:

### To use washer again:

1. Flush water pipes and hoses. Reconnect water inlet hoses. Turn on both water faucets.
2. Plug in washer or reconnect power.
3. Run washer through Normal cycle to clean washer and remove antifreeze, if used. Use half the manufacturer's recommended amount of detergent for a medium-size load.

## Troubleshooting

Before calling for service on your washer, please try the solutions suggested in this section.

If you experience	Possible Causes	Solution
<b>Vibration or Shaking</b>		
Check the following for proper installation or see "Using Your Washer" section.	Feet may not be in contact with the floor and locked to cabinet.	Front and rear feet must be in firm contact with floor, and washer must be level to operate properly.
	Washer may not be level.	Check floor for flexing or sagging. If flooring is uneven, a 3/4" (19 mm) piece of plywood under your washer will reduce sound. See "Level the Washer" in Installation Instructions.
	Load could be unbalanced or twisted.	Load dry items in loose heaps evenly around basket wall. Adding wet items to washer or adding more water to basket could unbalance washer. Wash smaller loads to reduce imbalance. Do not tightly pack. Avoid washing single items. Use Heavy Duty cycle for oversized, non-absorbent items such as comforters or poly-filled jackets. See "Cycle Guide" and "Using Your Washer" in this Use and Care Guide.
<b>Noises</b>		
Clicking or metallic noises	Objects caught in washer drain system.	Empty pockets before washing. Loose items such as coins could fall between basket and tub or may block pump. It may be necessary to call for service to remove items. It is normal to hear metal items on clothing such as metal snaps, buckles, or zippers touch against the basket.
Gurgling or humming	Washer may be draining water.	It is normal to hear the pump making a continuous humming sound with periodic gurgling or surging as final amounts of water are removed during the Drain & Spin cycles.
Humming	Load sensing may be occurring.	You may hear the hum of the sensing spins after you have started the washer. This is normal.
<b>Water Leaks</b>		
Check the following for proper installation:	Washer not level.	Water may splash off basket if washer is not level. Check that load is not unbalanced or tightly packed.
	Fill hoses not attached tightly.	Tighten fill-hose connection.

# Troubleshooting

Before calling for service on your washer, please try the solutions suggested in this section.

If you experience	Possible Causes	Solution
<b>Water Leaks (cont.)</b>		
Check the following for proper installation: (cont.)	Fill hose washers.	Make sure all 4 fill hose flat washers are properly seated.
	Drain hose connection.	Pull drain hose from washer cabinet and properly secure it to drainpipe or laundry tub.
		Do not place tape over drain opening.
	Check household plumbing for leaks or clogged sink or drain.	Water can back up out of a clogged sink or drainpipe. Check all household plumbing for leaks (laundry tubs, drain pipe, water pipes, and faucets).
Washer not loaded as recommended.	Improper loading can cause basket to be out of alignment and cause water to splash off tub. See "Using Your Washer" for loading instructions.	
<b>Washer not performing as expected</b>		
Washer won't run or fill; washer stops working	Check for proper water supply.	Both hoses must be attached and have water flowing to inlet valve.
		Both hot and cold water faucets must be turned on.
		Check that inlet valve screens have not become clogged.
		Check for any kinks in inlet hoses, which can restrict water flow.

## ⚠ WARNING



### Electrical Shock Hazard

**Plug into a grounded 3 prong outlet.**

**Do not remove ground prong.**

**Do not use an adapter.**

**Do not use an extension cord.**

**Failure to follow these instructions can result in death, fire, or electrical shock.**

	Check proper electrical supply.	Plug power cord into a grounded 3 prong outlet.
		Do not use an extension cord.
		Ensure there is power to outlet and that the polarity is correct.
		Reset a tripped circuit breaker. Replace any blown fuses. <b>NOTE:</b> If problems continue, contact an electrician.
	Normal washer operation.	Lid must be closed for washer to run.
		Washer will pause during certain phases of cycle. Do not interrupt cycle.
	Washer may be tightly packed.	Press START (PAUSE/UNLOCK) for 3 seconds and wait for lid to unlock. Remove several items, rearrange load evenly in basket, and add detergent. Close lid and press START.
		Do not add more than 1 or 2 additional items after cycle has started to avoid tightly packing or unbalancing.
All LEDs remain lit	Error code.	Try unplugging washer for 10 seconds and plug it back in to reset the control.
		Check for proper water supply per above.

# Troubleshooting

Before calling for service on your washer, please try the solutions suggested in this section.

If you experience	Possible Causes	Solution
<b>Washer not performing as expected (cont.)</b>		
Washer not draining/spinning, loads are still wet, or spin light remains on (indicating that the washer was unable to pump out water within 10 minutes)	Small items may have been caught in pump or between basket and tub, which can slow draining.	Empty pockets and use garment bags for small items.
	Use a cycle with a low spin speed.	Cycles with lower spin speeds remove less water than cycles with high spin speeds. Use the recommended cycle/spin speed for your garment. To remove extra water in the load on a nonpay model, select Final Spin. Load may need to be rearranged to allow even distribution of the load in the basket.
	The washer may be tightly packed or unbalanced.	Tightly packed or unbalanced loads may not allow the washer to spin correctly, leaving the load wetter than normal. Evenly arrange the wet load for balanced spinning on a nonpay model. Select the Final Spin cycle to remove excess water. See "Using Your Washer" for loading recommendations.
	Check plumbing for correct drain hose installation. Drain hose extends into standpipe farther than 4.5" (114 mm).	Check drain hose for proper installation. Use drain hose form and securely attach to drainpipe or tub. Do not tape over drain opening. Lower drain hose if the end is higher than 96" (2.4 m) above the floor. Remove any clogs from drain hose.
	Too much detergent causing suds to slow or stop draining and spinning.	Always measure and follow detergent directions for your load. To remove extra suds on a nonpay model, select Rinse & Spin. Do not add detergent.
Dry spots on load after cycle	High-speed spins extract more moisture than traditional top-load washers.	The high spin speeds combined with airflow during the final spin can cause items near the top of the load to develop dry spots during the final spin. This is normal.
Incorrect or wrong wash or rinse temperatures	Check for proper water supply.	Make sure hot and cold inlet hoses are not reversed.
		Both hoses must be attached to both washer and faucet, and have both hot and cold water flowing to inlet valve.
		Check that inlet valve screens are not clogged.
		Remove any kinks in hoses.
Energy-saving controlled-wash temperatures.	This washer uses cooler wash and rinse water temperatures than your previous washer. This includes cooler hot and warm washes.	
Load not rinsed	Check for proper water supply.	Make sure hot and cold inlet hoses are not reversed.
		Both hoses must be attached and have water flowing to the inlet valve.
		Both hot and cold water faucets must be on.
		Inlet valve screens on washer may be clogged.
		Remove any kinks in the inlet hose.
	Using too much detergent.	The suds from too much detergent can keep washer from operating correctly. Always measure detergent and follow detergent directions based on load size and soil level.
	Washer not loaded as recommended.	The washer is less efficient at rinsing when load is tightly packed.
		Load garments in loose heaps evenly around the basket wall. Load with dry items only. Do not load above bottom of white plastic clothes guard.
Use cycle designed for the fabrics being washed.		
Add only 1 or 2 additional garments after washer has started.		
Sand, pet hair, lint, etc., on load after washing	Heavy deposits of sand, pet hair, lint, and detergent, fabric softener, or non-chlorine bleach residues may require additional rinsing.	Use Heavy Duty cycle.
Load is tangling	Washer not loaded as recommended.	See "Using Your Washer" section.
		Select a cycle with a slower wash action and spin speed; however, items will be wetter than those using a higher speed spin. See the "Cycle Guide" to match your load with the best cycle.
		Load garments in loose heaps evenly around the basket wall.
		Reduce tangling by mixing types of load items. Use the recommended cycle for the type of garments being washed.

# Troubleshooting

Before calling for service on your washer, please try the solutions suggested in this section.

If you experience	Possible Causes	Solution
<b>Washer not performing as expected (cont.)</b>		
Not cleaning or removing stains	Washer not loaded as recommended.	Washer is less efficient at cleaning when load is tightly packed.
		Load garments in loose heaps evenly around the basket wall. Load with dry items only.
		Add only 1 or 2 additional garments after washer has started.
	Adding detergent on top of load.	Add detergent, oxi products, and color-safe bleach to the bottom of the basket before adding the load items.
	Using too much detergent.	The suds from too much detergent can keep washer from operating correctly. Always measure detergent and follow manufacturer's directions based on load size and soil level.
	Not using correct cycle for fabric type.	Use a higher soil level cycle option and warmer wash temperature to improve cleaning.
		Use Heavy Duty cycle for tough cleaning. See the "Cycle Guide" to match your load with the best cycle.
Not using dispensers.	Use dispensers to avoid chlorine bleach and fabric softener staining.	
	Load dispensers before starting a cycle.	
	Do not add products directly onto load.	
Not washing like colors together.	Wash like colors together and remove promptly after the cycle is complete to avoid dye transfer.	
Incorrect dispenser operation	Clogged dispenser.	Use only liquid chlorine bleach in the bleach dispenser. Use only fabric softener in the fabric softener dispenser.
Fabric damage	Sharp items were in pockets during wash cycle.	Empty pockets, zip zippers, and snap or hook fasteners before washing to avoid snags and tears.
	Strings and straps could have tangled.	Tie all strings and straps before starting wash load.
	Items may have been damaged before washing.	Mend rips and broken threads in seams before washing.
	Fabric damage can occur if load is tightly packed.	Load garments in loose heaps evenly around the basket wall. Load with dry items only. Load below white plastic clothes guard.
		Use cycle designed for the fabrics being washed.
		Add only 1 or 2 additional garments after washer has started.
	Liquid chlorine bleach may have been added incorrectly.	Do not pour liquid chlorine bleach directly onto load. Wipe up bleach spills.
		Undiluted bleach will damage fabrics. Do not use more than recommended by manufacturer.
Do not place load items on top of bleach dispenser when loading and unloading washer.		
Garment care instructions may not have been followed.	Always read and follow garment manufacturer's care label instructions. See the "Cycle Guide" to match your load with the best cycle.	
Odors	Monthly maintenance not done as recommended.	See "Washer Care" in "Washer Maintenance."
		Unload washer as soon as cycle is complete.
	Using too much detergent.	Be sure to measure correctly. Always follow the manufacturer's directions.
See "Washer Care" section.		
Lid Locked LED is flashing	The lid is not closed.	Close the lid and press START. The washer will not start or fill with the lid open.
	A cycle was stopped or paused using the Start (Pause/Unlock) button.	The washer may still be spinning. The lid will not unlock until the basket has stopped spinning. This may take several minutes if washing large loads or heavy fabrics.
Single-dose laundry packet not dissolving	Adding laundry packet incorrectly.	Be sure laundry packet is added to washer basket before adding clothes. Do not add packet to dispenser. Follow the manufacturer's instructions to avoid damage to your garments.

# WHIRLPOOL® COMMERCIAL LAUNDRY LIMITED WARRANTY

## IF YOU NEED SERVICE:

Contact your authorized Whirlpool® Commercial Laundry distributor. To locate your authorized Whirlpool® Commercial Laundry distributor, call:  
**1-800-662-3587, or for web inquiries, visit [www.WhirlpoolCommercialLaundry.com](http://www.WhirlpoolCommercialLaundry.com).**

For written correspondence:

**Whirlpool® Commercial Laundry Service Department  
2000 N M 63  
Benton Harbor, Michigan 49022-2632 USA**

## 90 DAY LIMITED WARRANTY

### WHAT IS COVERED

#### 90 DAY LIMITED WARRANTY (PARTS AND LABOR)

For 90 days from the original date of purchase, when this commercial appliance is installed, maintained, and operated according to the instructions attached to or furnished with the product, Whirlpool Corporation (hereafter "Whirlpool") will pay for factory specified replacement parts and repair labor to correct defects in materials or workmanship that existed when this commercial appliance was purchased.

#### TWO YEAR LIMITED WARRANTY (PARTS ONLY)

For the first two years from the original date of purchase, when this commercial appliance is installed, maintained, and operated according to the instructions attached to or furnished with the product, Whirlpool will pay for factory specified replacement parts to correct defects in materials or workmanship that existed when this commercial appliance was purchased.

**YOUR SOLE AND EXCLUSIVE REMEDY UNDER THIS LIMITED WARRANTY SHALL BE PRODUCT REPAIR AS PROVIDED HEREIN.** Whirlpool recommends that you use an "in network" service provider to diagnose and repair your Commercial Laundry product. Whirlpool will not be responsible under this warranty to provide additional replacement parts as a result of incorrect diagnosis or repair by an "out of network" service company. This limited warranty is valid in the United States or Canada and applies only when the commercial appliance is used in the country in which it was purchased. This limited warranty is effective from the date of the original consumer purchase. Proof of original purchase date is required to obtain service under this limited warranty.

### WHAT IS NOT COVERED

1. All other costs including labor, transportation, shipping, or custom duties for covered parts.
2. Factory specified replacement parts if this commercial appliance is used for other than normal, commercial use or when it is used in a manner that is inconsistent to published user or operator instructions and/or installation instructions.
3. Service calls to correct the installation of your commercial appliance, to instruct you on how to use your commercial appliance, to replace or repair house fuses, or to correct external wiring or plumbing.
4. Service calls to repair or replace appliance light bulbs, air filters, or water filters. Consumable parts are excluded from warranty coverage.
5. Damage resulting from improper handling of product during delivery, theft, accident, alteration, misuse, abuse, fire, flood, acts of God, improper installation, installation not in accordance with local electrical or plumbing codes, or use of products not approved by Whirlpool.
6. Pick up and delivery. This commercial appliance is designed to be repaired on location.
7. Repairs to parts or systems resulting from unauthorized modifications made to the commercial appliance.
8. The removal and reinstallation of your commercial appliance if it is installed in an inaccessible location or is not installed in accordance with published installation instructions.
9. Damage resulting from exposure to chemicals.
10. Changes to the building, room, or location needed in order to make the commercial appliance operate correctly.
11. Factory specified replacement parts on commercial appliances with original model/serial numbers that have been removed, altered, or cannot be easily determined.
12. Discoloration, rust, or oxidation of stainless steel surfaces.
13. Factory specified replacement parts as a result of incorrect diagnosis or repair by an "out of network" service company.

**The cost of repair or replacement under these excluded circumstances shall be borne by the customer.**

## DISCLAIMER OF IMPLIED WARRANTIES

IMPLIED WARRANTIES, INCLUDING ANY IMPLIED WARRANTY OF MERCHANTABILITY OR IMPLIED WARRANTY OF FITNESS FOR A PARTICULAR PURPOSE, ARE LIMITED TO TWO YEARS OR THE SHORTEST PERIOD ALLOWED BY LAW. Some states and provinces do not allow limitations on the duration of implied warranties of merchantability or fitness, so this limitation may not apply to you. This warranty gives you specific legal rights, and you also may have other rights that vary from state to state or province to province.

## DISCLAIMER OF REPRESENTATIONS OUTSIDE OF WARRANTY

Whirlpool makes no representations about the quality, durability, or need for service or repair of this major appliance other than the representations contained in this Warranty. If you want a longer or more comprehensive warranty than the limited warranty that comes with this major appliance, you should ask Whirlpool or your retailer about buying an extended warranty.

## LIMITATION OF REMEDIES; EXCLUSION OF INCIDENTAL AND CONSEQUENTIAL DAMAGES

**YOUR SOLE AND EXCLUSIVE REMEDY UNDER THIS LIMITED WARRANTY SHALL BE PRODUCT REPAIR AS PROVIDED HEREIN. WHIRLPOOL SHALL NOT BE LIABLE FOR INCIDENTAL OR CONSEQUENTIAL DAMAGES.** Some states and provinces do not allow the exclusion or limitation of incidental or consequential damages, so these limitations and exclusions may not apply to you. This warranty gives you specific legal rights, and you also may have other rights that vary from state to state or province to province.

# Sécurité de la laveuse

## Votre sécurité et celle des autres est très importante.

Nous donnons de nombreux messages de sécurité importants dans ce manuel et sur votre appareil ménager. Assurez-vous de toujours lire tous les messages de sécurité et de vous y conformer.



Voici le symbole d'alerte de sécurité.

Ce symbole d'alerte de sécurité vous signale les dangers potentiels de décès et de blessures graves à vous et à d'autres.

Tous les messages de sécurité suivront le symbole d'alerte de sécurité et le mot "DANGER" ou "AVERTISSEMENT". Ces mots signifient :

**! DANGER**

**Risque possible de décès ou de blessure grave si vous ne suivez pas immédiatement les instructions.**

**! AVERTISSEMENT**

**Risque possible de décès ou de blessure grave si vous ne suivez pas les instructions.**

Tous les messages de sécurité vous diront quel est le danger potentiel et vous disent comment réduire le risque de blessure et ce qui peut se produire en cas de non-respect des instructions.

## IMPORTANTES INSTRUCTIONS DE SÉCURITÉ

**AVERTISSEMENT** : Pour réduire les risques d'incendie, de choc électrique ou de blessures lors de l'utilisation de la laveuse, suivre les précautions fondamentales dont les suivantes :

- Lire toutes les instructions avant d'utiliser la laveuse.
- Ne pas laver des articles qui ont été nettoyés ou lavés avec de l'essence ou imbibés d'essence, solvants de nettoyage à sec, ou autres substances inflammables ou explosives; ces substances peuvent émettre des vapeurs susceptibles de s'enflammer ou d'exploser.
- Ne pas ajouter d'essence, solvant de nettoyage à sec ou autre produit inflammable ou explosif dans l'eau de lavage. Ces substances peuvent émettre des vapeurs susceptibles de s'enflammer ou d'exploser.
- Dans certaines conditions, de l'hydrogène gazeux peut se former dans un circuit d'eau chaude qui n'a pas été utilisé pendant 2 semaines ou plus. LE GAZ HYDROGÈNE EST EXPLOSIBLE. Si le circuit d'eau chaude n'a pas été utilisé pendant une telle période, avant d'utiliser la laveuse, ouvrir tous les robinets d'eau chaude et laisser l'eau s'écouler pendant plusieurs minutes par chaque robinet. Ceci permettra l'évacuation de l'hydrogène gazeux accumulé. Comme ce gaz est inflammable, ne pas fumer ou utiliser une flamme nue au cours de cette période.
- Ne pas laisser des enfants jouer sur ou à l'intérieur de la laveuse. Bien surveiller les enfants lorsque la laveuse est utilisée à proximité d'enfants.
- Avant de mettre la laveuse au rebut ou hors de service, enlever la porte ou le couvercle.
- Ne pas tenter d'atteindre un article à l'intérieur de la cuve de la laveuse lorsque le tambour, la cuve ou l'agitateur est en mouvement.
- Ne pas installer ou remiser cette laveuse à un endroit où elle serait exposée aux intempéries.
- Ne pas modifier les organes de commande.
- Ne pas réparer ou remplacer un composant quelconque de la laveuse, ni entreprendre une opération de service, si ce n'est spécifiquement recommandé dans ce manuel ou dans un manuel d'instructions de réparations destiné à l'utilisateur; il est alors essentiel que la personne concernée comprenne ces instructions et soit compétente pour les exécuter.
- Pour les instructions de liaison à la terre, voir "Spécifications électriques" dans les instructions d'installation.

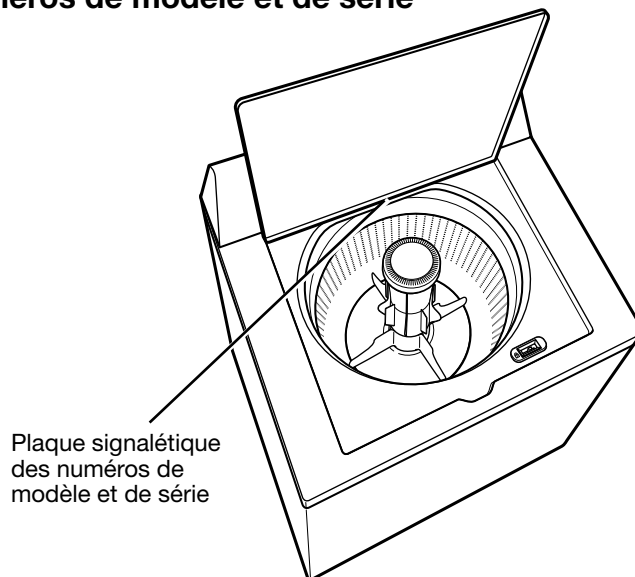
## CONSERVEZ CES INSTRUCTIONS

Avertissements de la proposition 65 de l'État de Californie :

**AVERTISSEMENT** : Ce produit contient au moins un produit chimique connu par l'État de Californie pour être à l'origine de cancers.

**AVERTISSEMENT** : Ce produit contient au moins un produit chimique connu par l'État de Californie pour être à l'origine de malformations et autres déficiences de naissance.

## Emplacement des numéros de modèle et de série



Pour référence ultérieure, inscrire les numéros ci-dessous :

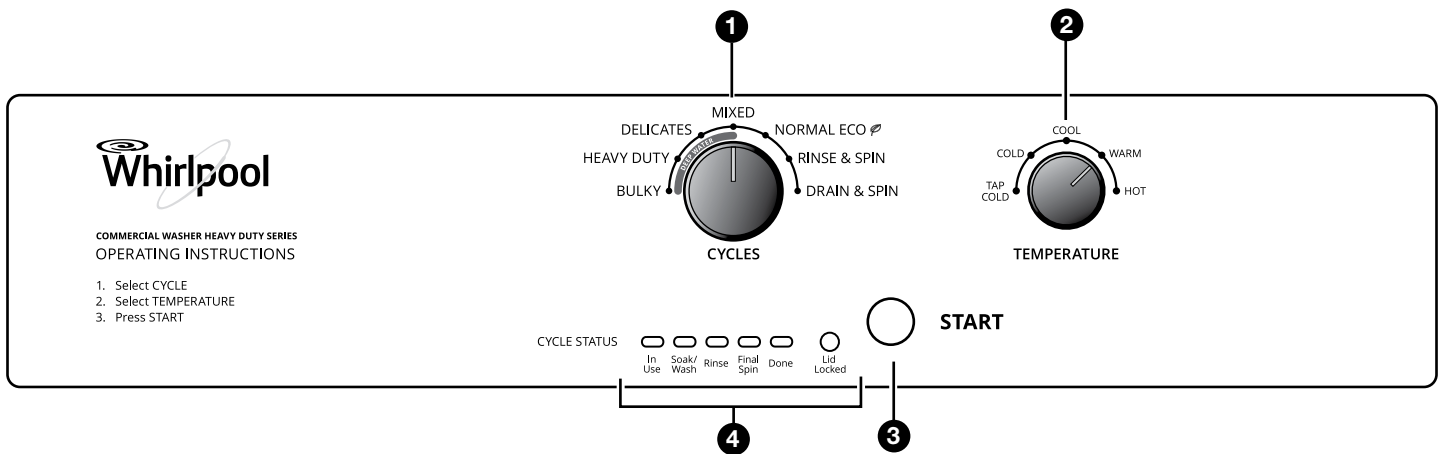
**Numéro de modèle** \_\_\_\_\_

**Numéro de série** \_\_\_\_\_

**Numéro de code d'identification** \_\_\_\_\_



# Tableau de commande et caractéristiques



Certains programmes et options ne sont pas disponibles sur certains modèles.  
L'apparence des appareils peut varier.

## 1 WASH CYCLE KNOB (bouton de programme de lavage)

Utiliser le bouton du programme de lavage pour sélectionner les programmes disponibles sur la laveuse. Le bouton reste statique pendant la progression du programme – voir les témoins lumineux de programme pour suivre sa progression étape par étape. Voir “Guide de programmes” pour des descriptions de programmes détaillées.

Sélectionner le réglage le plus adapté à votre charge. Les articles doivent pouvoir se déplacer librement. Trop tasser le linge peut entraîner une mauvaise performance de lavage et augmenter le froissement et l’emmêlement.

## 2 TEMPERATURE (température de lavage)

La fonction TEMPERATURE (température de lavage) détecte et maintient une température uniforme de l’eau en régulant le débit d’arrivée d’eau chaude et d’eau froide.

Sélectionner une température de lavage en fonction du type de tissu et de saleté à laver. Pour des résultats optimaux, suivre les instructions sur l’étiquette du vêtement et utiliser la température d’eau de lavage la plus chaude possible qui reste sans danger pour le tissu.

- Les températures utilisées pour Normal Eco, l’eau chaude et l’eau tiède peuvent être inférieures aux températures utilisées par votre précédente laveuse. Cycles d’eau profonde fourniront des températures plus élevées pendant le cycle de lavage.
- Même pour les lavages dont la température a été réglée sur Cool (frais) ou Cold (froid), il est possible que de l’eau tiède soit ajoutée à la laveuse pour maintenir une température minimale.

## 3 START BUTTON (bouton mise en marche)

Appuyer sur ce bouton pour démarrer le programme sélectionné. Pour déverrouiller le couvercle pendant l’essorage final, appuyez sur ce bouton pendant 3 secondes pour suspendre le programme et déverrouiller le couvercle. Appuyer pendant 10 secondes pour annuler un programme.

**REMARQUE :** Si le panier de lavage tourne, le couvercle peut mettre quelques minutes à se déverrouiller.

## 4 CYCLE STATUS LIGHTS INDICATOR (témoins lumineux des programmes)

CYCLE STATUS       
In Use Soak/Wash Rinse Final Spin Done

Les témoins lumineux indiquent la progression du programme. À chaque étape du processus, il est possible que l’on remarque des pauses ou des sons différents de ceux des laveuses ordinaires.

### IN USE (utilisé)

Ce voyant reste allumé après le cycle commence et reste allumé jusqu’à ce que le cycle est terminé.

### SOAK/WASH (trempage/lavage)

Ce voyant reste allumé pendant la partie de Wash (lavage) du cycle.

### RINSE (rinçage)

Ce voyant reste allumé pendant la partie de Rinse (rinçage) du cycle. adoucissant peut être ajouté à ce stade du cycle.

### FINAL SPIN/LID LOCKED (essorage finale/verrouillage du couvercle)

Le Final Spin (essorage finale) LED et le Lid Locked (verrouillage du couvercle) LED seront tous deux rester allumés pendant cette partie du cycle. Si vous avez besoin d’ouvrir le couvercle avant la fin du cycle, appuyez sur Start (mise en marche) pendant 3 secondes.

### DONE (terminé)

Cette LED illumine lorsque le cycle est terminé. Il reste allumé jusqu’à ce que le couvercle est ouvert.

# Guide de programmes

Pour un meilleur soin des tissus, choisir le programme qui convient le mieux à la charge à laver.

Certains programmes et options ne sont pas disponibles sur certains modèles.

Articles à laver :	Programme :	Température de lavage*:	Vitesse d'essorage :	Détails du programme :
Articles en coton et linge de maison	Normal Eco	Hot (Chaude) Warm (Tiède) Cool (Fraîche) Cold (Froide) Tap Cold (Froide du robinet)	High (Élevée)	Utiliser ce programme pour les articles en coton présentant un degré de saleté normal.
Charges mixtes vêtement	Mixed (Mixte)	Hot (Chaude) Warm (Tiède) Cool (Fraîche) Cold (Froide) Tap Cold (Froide du robinet)	High (Élevée)	Utiliser ce cycle pour une grande variété de charges mixtes vêtements. Ce cycle comprend un rinçage de baignoire profonde.
Articles robustes et charges mixtes vêtements	Heavy Duty (Résistant)	Hot (Chaude) Warm (Tiède) Cool (Fraîche) Cold (Froide) Tap Cold (Froide du robinet)	High (Élevée)	Utiliser ce programme pour les articles très sales ou robustes. Ce programme comporte un rinçage de baignoire profonde.
Articles non repassables, de pressage permanent, tissus synthétiques, articles en soie lavables en machine, articles lavés à la main	Delicates (Articles délicat)	Hot (Chaude) Warm (Tiède) Cool (Fraîche) Cold (Froide) Tap Cold (Froide du robinet)	Low (Basse)	Utiliser ce programme pour laver des charges de vêtements qui ne se repassent pas tels que chemises de sport, chemisiers, vêtements de travail tout-aller, articles à pressage permanent et mélanges de tissus. Utiliser aussi ce programme pour laver des vêtements légèrement sales dont l'étiquette de soin indique "Soie lavable en machine" ou "Programme délicat". Placer les petits articles dans des sacs en filet avant le lavage. Ce programme comporte un rinçage de baignoire profonde.
Articles de grande taille tels que les draps, les sacs de couchage, les petits duvets, les vestes, les petits tapis lavables	Bulky (Volumineux)	Hot (Chaude) Warm (Tiède) Cool (Fraîche) Cold (Froide) Tap Cold (Froide du robinet)	Low (Basse)	Utiliser ce programme pour laver les articles de grande taille tels que les vestes et les petits duvets. Le lave-linge se remplira de suffisamment d'eau pour mouiller la charge avant que la portion de lavage du programme ne commence. Il utilise un niveau d'eau plus élevé que les autres programmes.
Maillots de bain et articles nécessitant un rinçage sans détergent	Rinse & Spin (Rinçage & Essorage)	Cold (Froide)	High (Élevée)	Combine un rinçage et un essorage rapide pour les charges nécessitant un programme de rinçage supplémentaire ou pour finir de prendre soin d'une charge après une coupure de courant. Utiliser également pour les charges nécessitant uniquement un rinçage.
Articles très humides ou articles lavés à la main	Drain & Spin (Vidange & Essorage)	N/A	High (Élevée)	Ce programme utilise un essorage pour réduire les durées de séchage pour les tissus lourds et les articles lavés à la main nécessitant un soin spécial. Utiliser ce programme pour vidanger le lave-linge après avoir annulé un programme ou avoir terminé un programme après une coupure de courant.

\*Tous les rinçages se font à l'eau froide.

# Utilisation de la laveuse

## ⚠ AVERTISSEMENT



### Risque d'incendie

Ne jamais mettre des articles humectés d'essence ou d'autres fluides inflammables dans la laveuse.

Aucune laveuse ne peut complètement enlever l'huile.

Ne pas faire sécher des articles qui ont été salis par tout genre d'huile (y compris les huiles de cuisson).

Le non-respect de ces instructions peut causer un décès, une explosion ou un incendie.

## ⚠ AVERTISSEMENT



### Risque de choc électrique

Brancher sur une prise à 3 alvéoles reliée à la terre.

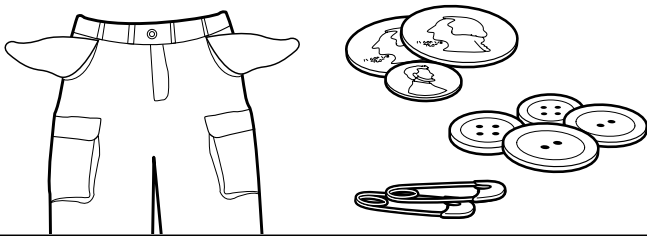
Ne pas enlever la broche de liaison à la terre.

Ne pas utiliser un adaptateur.

Ne pas utiliser un câble de rallonge.

Le non-respect de ces instructions peut causer un décès, un incendie ou un choc électrique.

## 1. Trier et préparer le linge



- Vider les poches. Des pièces de monnaie, des boutons ou objets de petite taille sont susceptibles de glisser sous l'impulseur et de s'y coincer, ce qui peut entraîner des bruits inattendus.
- Trier les articles en fonction du programme et de la température d'eau recommandés, ainsi que de la solidité des teintures.
- Séparer les articles très sales des articles peu sales.
- Séparer les articles délicats des tissus résistants.
- Ne pas sécher les vêtements si les taches sont toujours présentes après le lavage car la chaleur pourrait fixer les taches sur le tissu.
- Traiter les taches sans délai.
- Fermer les fermetures à glissière, attacher les crochets, cordons et ceintures en tissu. Ôter les garnitures et les ornements non lavables.
- Réparer les déchirures pour éviter que les articles ne s'endommagent encore davantage lors du lavage.

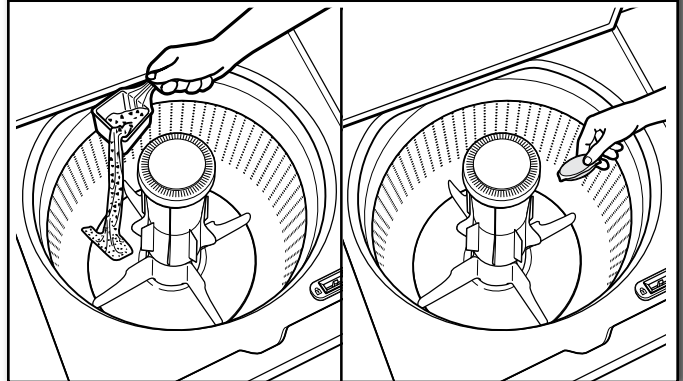
### Conseils utiles :

- Lors du lavage d'articles imperméables ou résistants à l'eau, charger la laveuse de façon uniforme.
- Utiliser des sacs en filet pour aider à empêcher l'emmêlement lors du lavage d'articles délicats ou de petits articles.
- Retourner les tricotés pour éviter le boulochage. Séparer les articles qui forment la charpie de ceux qui la retiennent. Les articles synthétiques, tricotés et articles en velours retiennent la charpie provenant des serviettes, des tapis et des tissus chenille.

- Pour des résultats optimaux, les articles les plus lourds tels les jeans, les serviettes et les couvertures doivent être chargés en premier pour se trouver au fond de la charge mixte.

**REMARQUE :** Toujours lire et suivre les instructions des étiquettes de soin des tissus pour éviter d'endommager les vêtements.

## 2. Ajouter les produits de lessive



**IMPORTANT :** Verser une mesure de détergent ou un sachet de lessive à dose unique dans le panier.

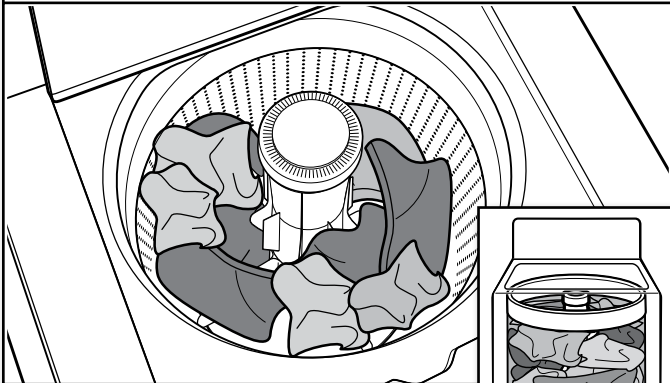
Si l'on utilise des produits activateurs de détergent de type Oxi, un agent de blanchiment sans danger pour les couleurs ou de l'assouplissant pour tissu sous forme de cristaux, les ajouter au fond du panier de la laveuse avant d'ajouter les vêtements.

Si vous utilisez l'agent de blanchiment liquide au chlore liquide (en option), l'ajouter manuellement à l'eau de lavage.

Ne pas trop remplir, diluer ou utiliser plus de 1 tasse (250 ml) de l'agent de blanchiment liquide au chlore liquide. Ne pas utiliser couleur javellissant ou Oxi produits dans le même cycle avec l'agent de blanchiment liquide au chlore liquide.

**REMARQUE :** Suivre les instructions du fabricant pour déterminer la quantité de produits de lessive à utiliser. Le fabricant suggère l'utilisation d'un détergent HE.

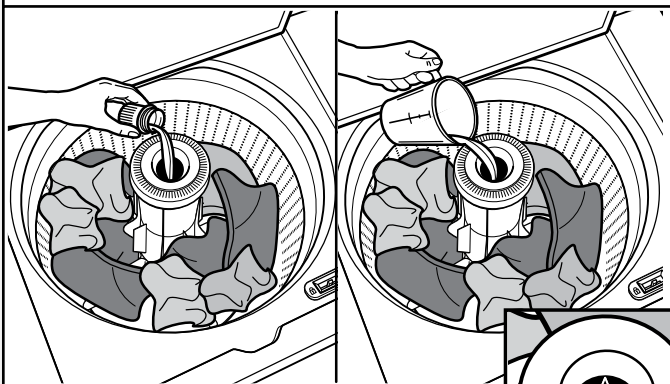
### 3. Charger les vêtements dans la laveuse



Charger les vêtements sans les tasser et de façon uniforme le long de la paroi du panier. Pour de meilleurs résultats, ne pas remplir au-delà de la hauteur maximale de charge recommandée. Ne pas enrouler de grands articles tels des draps autour de l'agitateur; les charger sans les tasser le long de la paroi du panier. Essayer de mélanger différents types d'articles pour réduire l'emmêlement.

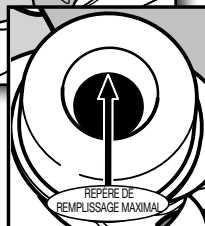
**IMPORTANT :** Ne pas tasser les articles ou les pousser dans la laveuse. Les articles doivent pouvoir se déplacer librement pour un nettoyage optimal et pour réduire le froissement et l'emmêlement. Charger les articles plus lourds d'abord. Ne pas charger au-delà du bouchon agitateur. Ne pas charger de vêtements par-dessus l'anneau intérieur blanc.

### 4. Verser une mesure d'assouplissant pour tissu liquide dans le distributeur facultatif



Verser une mesure d'assouplissant pour tissu liquide dans le distributeur – toujours suivre les instructions du fabricant concernant la dose d'assouplissant pour tissu à utiliser en fonction de la taille de la charge.

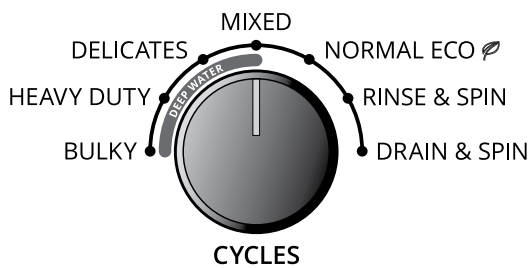
Diluer l'assouplissant pour tissu liquide en remplissant le distributeur d'eau tiède jusqu'à ce que le liquide atteigne la partie inférieure de l'anneau. Voir les flèches du repère de remplissage maximum.



### Ajouter manuellement l'assouplissant liquide pour tissu à la charge à laver

Au cours du rinçage final, attendre le remplissage complet de la laveuse. À ce moment-là, le robinet d'alimentation en eau se ferme, et l'on n'entend plus d'eau qui s'écoule dans la laveuse. Soulever le couvercle et verser la mesure recommandée d'assouplissant pour tissu liquide. Ne pas utiliser plus que la quantité recommandée. Fermer le couvercle.

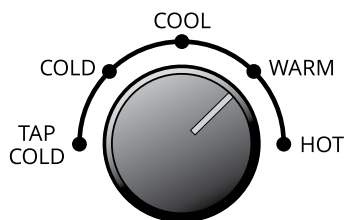
### 5. Sélectionner le programme



L'aspect peut varier.

Tourner le bouton de programme pour choisir un programme de lavage. Pour plus de renseignements, voir "Guide de programmes".

## 6. Sélectionner la TEMPERATURE (température de lavage)

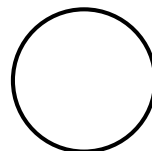


TEMPERATURE

Après avoir sélectionné un programme, sélectionner la température de lavage désirée en tournant le bouton Temperature (température de lavage). Tous les rinçages se font à l'eau froide du robinet.

**REMARQUE :** Toujours lire et suivre les instructions des étiquettes de soin des tissus pour éviter d'endommager les vêtements.

## 7. Appuyer sur START (mise en marche) pour démarrer le programme de lavage



START

Appuyer sur le bouton Start (mise en marche) pour démarrer le programme de lavage. Lorsque le programme est terminé, le témoin lumineux DONE (terminé) s'allume. Retirer rapidement les vêtements une fois le programme terminé pour éviter la formation d'odeurs, réduire le froissement et empêcher les crochets métalliques, fermetures à glissière et boutons-pression de rouiller.

Température	Tissus suggérés
<b>Hot (chaude)</b> De l'eau froide est ajoutée pour économiser de l'énergie. Ceci sera plus froid que le réglage du chauffe-eau pour l'eau chaude de votre domicile.	Blancs et couleurs claires Vêtements durables Saleté intense
<b>Warm (tiède)</b> De l'eau froide sera ajoutée; il est donc possible que l'eau soit plus froide que celle que fournissait votre laveuse précédente.	Couleurs vives Saleté modérée à légère
<b>Cool (fraîche)</b> De l'eau tiède est ajoutée pour favoriser l'élimination de la saleté et aider à dissoudre les détergents.	Couleurs qui déteignent ou s'atténuent Saleté légère
<b>Cold (froide)</b> Ceci correspond à la température à votre robinet. Si la température de l'eau froide à votre robinet est inférieure à 50 °F (10 °C), de l'eau tiède est ajoutée pour favoriser l'élimination de la saleté et aider à dissoudre les détergents.	Couleurs foncées qui déteignent ou s'atténuent Saleté légère
<b>Tap Cold (froide du robinet)</b> Ceci est la température de votre robinet.	Couleurs foncées qui déteignent ou s'atténuent Saleté légère

# Entretien de la laveuse

## TUYAUX D'ARRIVÉE D'EAU

Remplacer les tuyaux d'arrivée d'eau après 5 ans d'utilisation pour réduire le risque de défaillance intempestive. Inspecter périodiquement les tuyaux; les remplacer en cas de renflement, de déformation, de coupure et d'usure ou si une fuite se manifeste.

Lorsque vous remplacez les tuyaux d'arrivée d'eau, noter la date de remplacement au marqueur indélébile sur l'étiquette.

## ENTRETIEN DE LA LAVEUSE

### Recommandations pour une laveuse propre et pour un niveau de performance optimal

1. Toujours suivre les recommandations du fabricant de détergent HE pour déterminer la quantité de détergent HE à utiliser. Ne jamais utiliser plus que la quantité recommandée de détergent, car ceci peut augmenter le taux d'accumulation de résidus de détergent et de souillures à l'intérieur de la laveuse, ce qui pourrait entraîner la formation d'odeurs indésirables.
2. Exécuter périodiquement des lavages avec de l'eau tiède ou chaude (et non pas exclusivement des lavages à l'eau froide), car l'eau tiède ou chaude permet de contrôler plus efficacement la vitesse à laquelle les saletés et les résidus de détergent s'accumulent.
3. Veiller à toujours laisser le couvercle de la laveuse ouvert entre deux utilisations pour qu'elle puisse sécher, et pour éviter l'accumulation de résidus générateurs d'odeurs.

### Nettoyage de la laveuse à chargement par le dessus

Lire complètement ces instructions avant d'entreprendre les opérations de nettoyage de routine recommandées ci-dessous. Le processus d'entretien de la laveuse doit être exécuté au moins une fois par mois ou à intervalles de 30 lavages (selon la période la plus courte des deux); ceci permettra de contrôler la vitesse à laquelle les résidus de détergent et les souillures s'accumulent dans la laveuse.

### Nettoyage de l'intérieur de la laveuse

Pour que l'intérieur de la laveuse reste libre de toute odeur, suivre les instructions d'utilisation indiquées ci-dessus et effectuer la procédure de nettoyage mensuelle recommandée suivante :

### Programme recommandé pour le nettoyage de la laveuse

Pour un nettoyage optimal à l'agent de blanchiment liquide au chlore :

- a. Ouvrir le couvercle de la laveuse et retirer tout vêtement ou article.
  - b. Verser 1 tasse (236 mL) d'agent de blanchiment liquide au chlore dans le panier de lavage.
- REMARQUE :** L'emploi d'une quantité d'agent de blanchiment liquide au chlore supérieure à ce qui est recommandé ci-dessus pourrait endommager la laveuse avec le temps.
- c. Rabattre le couvercle de la laveuse.
  - d. Ne pas ajouter de détergent ou autre composé chimique dans la laveuse lors de l'exécution de cette procédure.
  - e. Sélectionner le programme Heavy Duty (service intense).
  - f. Appuyer sur le bouton Start (mise en marche) pour démarrer le programme.

**REMARQUE :** Ne pas interrompre le programme.

### Nettoyage de l'option distributeur d'assouplissant

Après avoir utilisé la laveuse pendant longtemps, on peut parfois constater une accumulation de résidus dans les distributeurs de la laveuse. Pour éliminer les résidus, essuyer avec un chiffon humide et les sécher avec une serviette. Si nécessaire, utiliser un nettoyeur tout-usage.

## ENTRETIEN DE LA LAVEUSE

### Nettoyage de l'extérieur de la laveuse

Utiliser une éponge ou un chiffon doux et humide pour essuyer les renversements éventuels. Utiliser uniquement des savons ou nettoyeurs doux pour nettoyer la surface externe de la laveuse.

**IMPORTANT :** Afin d'éviter d'endommager le revêtement de la laveuse, ne pas utiliser de produits abrasifs.

**REMARQUE :** Le programme de nettoyage de la laveuse doit être lancé 1 à 2 fois par an. Consulter la fiche technique pour accéder au programme de nettoyage de la laveuse en mode de test de diagnostic.

## NON-UTILISATION ET ENTRETIEN EN PÉRIODE DE VACANCES

En cas de déménagement ou si l'on n'utilise pas la laveuse pendant un certain temps, suivre les étapes suivantes :

1. Débrancher la laveuse ou déconnecter la source de courant électrique.
2. Fermer l'alimentation en eau à la laveuse pour éviter toute inondation due à une surpression.

## ENTRETIEN POUR ENTREPOSAGE HIVERNAL

**IMPORTANT :** Pour éviter tout dommage, installer et remiser la laveuse à l'abri du gel. L'eau qui peut rester dans les tuyaux risque d'abîmer la laveuse en temps de gel. Si la laveuse doit faire l'objet d'un déménagement ou d'entreposage au cours d'une période de gel, hiverner la laveuse.

### Hivernisation de la laveuse :

1. Fermer les deux robinets d'eau; déconnecter et vidanger les tuyaux d'arrivée d'eau.
2. Placer 1 pinte (1 L) d'antigel pour véhicule récréatif dans le panier et faire fonctionner la laveuse sur un programme pendant environ 30 secondes pour mélanger l'antigel et l'eau restante.
3. Débrancher la laveuse ou déconnecter la source de courant électrique.

## TRANSPORT DE LA LAVEUSE

1. Fermer les deux robinets d'eau. Débrancher et vidanger les tuyaux d'arrivée d'eau.
2. Si l'on déplace la laveuse pendant une période de gel, suivre les instructions de la section "Entretien pour entreposage hivernal" avant de la déplacer.
3. Déconnecter le tuyau de vidange du système de vidange et vidanger l'eau restante dans un plat ou un seau. Déconnecter le tuyau de vidange à l'arrière de la laveuse.
4. Débrancher le cordon d'alimentation.
5. Placer les tuyaux d'arrivée d'eau dans le panier de la laveuse.
6. Faire passer le cordon d'alimentation par dessus la console et l'enrouler dans le panier de la laveuse.
7. Replacer l'emballage en polystyrène circulaire des matériaux d'expédition d'origine à l'intérieur de la laveuse. Si vous n'avez plus l'emballage circulaire, placer des couvertures lourdes ou des serviettes dans l'ouverture du panier. Fermer le couvercle et placer du ruban adhésif sur le couvercle et jusqu'à la partie inférieure avant de la laveuse. Laisser le couvercle fermé par l'adhésif jusqu'à ce que la laveuse soit installée à son nouvel emplacement.
8. Réinstaller le cône d'expédition inférieur si disponible.

## ⚠ AVERTISSEMENT



### Risque de choc électrique

**Brancher sur une prise à 3 alvéoles reliée à la terre.**

**Ne pas enlever la broche de liaison à la terre.**

**Ne pas utiliser un adaptateur.**

**Ne pas utiliser un câble de rallonge.**

**Le non-respect de ces instructions peut causer un décès, un incendie ou un choc électrique.**

## RÉINSTALLATION/RÉUTILISATION DE LA LAVEUSE

Pour réinstaller la laveuse en cas de non-utilisation, d'entreposage pour l'hiver, de déménagement ou en période de vacances :

1. Consulter les instructions d'installation pour choisir l'emplacement, régler l'aplomb de la laveuse et la raccorder.
2. Avant de réutiliser la laveuse, exécuter la procédure recommandée suivante :

### Remise en marche de la laveuse :

1. Vidanger les canalisations d'eau et les tuyaux. Reconnecter les tuyaux d'arrivée d'eau. Ouvrir les deux robinets d'eau.
2. Brancher la laveuse ou reconnecter la source de courant électrique.
3. Faire exécuter à la laveuse le programme Normal pour nettoyer la laveuse et éliminer l'antigel, le cas échéant. Utiliser la moitié de la quantité de détergent recommandée par le fabricant pour une charge de taille moyenne.

# Dépannage

Avant de demander une intervention de dépannage par téléphone pour votre laveuse, essayer d'abord les solutions suggérées dans cette section.

Si les phénomènes suivants se produisent	Causes possibles	Solution
<b>Vibrations ou tremblements</b>		
Vérifier ce qui suit pour que l'installation soit correcte ou voir la section "Utilisation de la laveuse".	Les pieds ne sont peut-être pas en contact avec le plancher ou peut-être qu'ils ne sont pas verrouillés au placard.	Les pieds avant et arrière doivent être en contact ferme avec le plancher et la laveuse doit être d'aplomb pour fonctionner correctement.
	La laveuse n'est peut-être pas d'aplomb.	Vérifier que le plancher n'est pas incurvé ou qu'il ne s'affaisse pas. Si le plancher est irrégulier, un morceau de contreplaqué de 3/4" (19 mm) placé sous la laveuse permettra de réduire le bruit.
		Voir "Réglage de l'aplomb de la laveuse" dans les Instructions d'installation.
	La charge est peut-être déséquilibrée ou tordue.	Charger les vêtements secs sans les tasser et de façon uniforme le long de la paroi du panier. Le fait d'ajouter des articles mouillés ou de rajouter de l'eau dans le panier pourrait déséquilibrer la laveuse.
		Laver des charges plus petites pour réduire le risque de déséquilibre.
		Ne pas trop tasser le linge. Éviter de laver un article seul.
Utiliser le programme Heavy Duty (service intense) pour les articles volumineux, non absorbants tels que les couettes ou les vestes avec rembourrage en polyester.		
	Voir "Guide de programmes" et "Utilisation de la laveuse" dans ce Guide d'utilisation et d'entretien.	
<b>Bruits</b>		
Cliquetis ou bruits métalliques	Des objets sont coincés dans le système de vidange de la laveuse.	Vider les poches avant le lavage. Les articles mobiles tels des pièces de monnaie sont susceptibles de tomber entre le panier et la cuve; ils peuvent aussi obstruer la pompe. Un appel pour intervention de dépannage s'avérera peut-être nécessaire pour retirer ces objets.
		Il est normal d'entendre les articles métalliques des vêtements comme les boutons-pression métalliques, boucles ou fermetures à glissière toucher le panier.
Gargouillement ou bourdonnement	La laveuse est peut-être en train d'évacuer de l'eau.	Il est normal d'entendre la pompe produire un bourdonnement continu accompagné de gargouillements ou de bruits de pompage périodiques lorsque les quantités d'eau restantes sont éliminées au cours des programmes d'essorage/de vidange.
Bourdonnement	Le processus de détection de la charge est peut-être en cours.	Il est possible que les essorages émettent un bruit de ronronnement après la mise en marche de la laveuse. Ceci est normal.
<b>Fuites d'eau</b>		
Vérifier ce qui suit pour que l'installation soit correcte :	La laveuse n'est pas d'aplomb.	Il est possible que de l'eau éclabousse en dehors du panier si la laveuse n'est pas d'aplomb. Vérifier que la charge n'est pas déséquilibrée ou trop tassée.
	Les tuyaux de remplissage ne sont pas solidement fixés.	Serrer le raccord du tuyau de remplissage.
	Rondelles d'étanchéité des tuyaux de remplissage.	Vérifier que les quatre rondelles d'étanchéité plates des tuyaux de remplissage d'eau sont correctement installées.
	Raccord du tuyau de vidange.	Tirer le tuyau de vidange de la caisse de la laveuse et le fixer correctement dans le tuyau de rejet à l'égoût ou l'évier de buanderie.
		Ne pas placer de ruban adhésif sur l'ouverture du système de vidange.
Inspecter le circuit de plomberie du domicile pour vérifier qu'il n'y a pas de fuites ou que l'évier ou le tuyau de vidange n'est pas obstrué.	De l'eau pourrait refouler de l'évier ou du tuyau de rejet à l'égoût obstrué. Inspecter tout le circuit de plomberie du domicile (éviers de buanderie, tuyau de vidange, conduites d'eau et robinets) pour vérifier qu'il n'y a aucune fuite.	



# Dépannage

Avant de demander une intervention de dépannage par téléphone pour votre laveuse, essayer d'abord les solutions suggérées dans cette section.

Si les phénomènes suivants se produisent	Causes possibles	Solution
<b>Fuites d'eau (suite)</b>		
Vérifier ce qui suit pour que l'installation soit correcte : (suite)	La laveuse n'a pas été chargée tel que recommandé.	Une charge déséquilibrée peut entraîner une déviation du panier et de l'eau pourrait alors éclabousser en dehors de la cuve. Voir "Utilisation de la laveuse" pour des instructions sur le chargement.
<b>La laveuse ne fonctionne pas comme prévu</b>		
La laveuse ne fonctionne pas ou ne se remplit pas; elle cesse de fonctionner	Vérifier que la laveuse est correctement alimentée en eau.	Les deux tuyaux doivent être fixés et l'eau doit pénétrer dans la valve d'arrivée.
		Les robinets d'eau chaude et d'eau froide doivent être ouverts tous les deux.
		Vérifier que les tamis des valves d'arrivée ne sont pas obstrués.
		Vérifier que les tuyaux d'arrivée d'eau ne sont pas déformés; ceci peut réduire le débit.

## AVERTISSEMENT



### Risque de choc électrique

- Brancher sur une prise à 3 alvéoles reliée à la terre.**
- Ne pas enlever la broche de liaison à la terre.**
- Ne pas utiliser un adaptateur.**
- Ne pas utiliser un câble de rallonge.**
- Le non-respect de ces instructions peut causer un décès, un incendie ou un choc électrique.**

	Vérifier que l'alimentation électrique est correcte.	Brancher le cordon d'alimentation dans une prise à 3 alvéoles reliée à la terre. Ne pas utiliser de câble de rallonge. Vérifier que la prise est alimentée et que la polarité est correcte. Remettre en marche un disjoncteur qui serait ouvert. Remplacer tout fusible grillé. <b>REMARQUE</b> : Si le problème persiste, appeler un électricien.
	Fonctionnement normal de la laveuse.	Le couvercle doit être fermé pour que la laveuse puisse fonctionner. La laveuse fait des pauses durant certaines étapes du programme. Ne pas interrompre le programme.
	Les vêtements sont peut-être tassés dans la laveuse.	Appuyer sur START (PAUSE/UNLOCK) (mise en marche [pause/déverrouillage]) pendant 3 secondes et attendre que le couvercle se déverrouille. Retirer plusieurs articles, répartir uniformément la charge dans le panier et ajouter du détergent. Fermer le couvercle et appuyer sur START (mise en marche). Ne pas ajouter plus de 1 ou 2 articles supplémentaires après le début du programme pour éviter un tassement excessif de la charge ou un déséquilibre.
Toutes les DEL restent allumées	Code d'erreur.	Essayer de débrancher la laveuse, attendre 10 secondes et la rebrancher pour réinitialiser la commande.
		Vérifier que l'alimentation en eau est adéquate comme décrit ci-dessus.

# Dépannage

Avant de demander une intervention de dépannage par téléphone pour votre laveuse, essayer d'abord les solutions suggérées dans cette section.

Si les phénomènes suivants se produisent	Possible Causes	Solution
<b>La laveuse ne fonctionne pas comme prévu (suite)</b>		
La laveuse ne se vidange pas/n'effectue pas d'essorage, les charges ressortent mouillées ou le témoin lumineux d'essorage reste allumé (indiquant que la laveuse n'était pas en mesure d'extraire l'eau [par pompage] en 10 minutes)	Des petits articles sont peut-être coincés dans la pompe ou entre le panier et la cuve, ce qui peut ralentir la vidange.	Vider les poches et utiliser des sacs à linge pour les petits articles.
	Utiliser des programmes comportant une vitesse d'essorage inférieure.	Les programmes avec vitesses d'essorage réduites éliminent moins d'eau que les programmes qui comportent des vitesses d'essorage supérieures. Utiliser la vitesse d'essorage appropriée/le programme recommandé pour le vêtement. Pour éliminer l'eau restant dans la charge sur un modèle sans paiement, sélectionner Final Spin (essorage final). On peut avoir à réarranger la charge pour en assurer une distribution uniforme dans le panier.
	La charge de la laveuse est peut-être tassée ou déséquilibrée.	Des charges excessivement tassées ou déséquilibrées peuvent empêcher la laveuse d'essorer correctement, ce qui laisse le linge plus mouillé qu'il ne devrait l'être. Répartir uniformément la charge mouillée pour que l'essorage soit équilibré sur un modèle sans paiement. Sélectionner le programme Final Spin (essorage final) pour enlever toute eau restée dans la laveuse. Voir "Utilisation de la laveuse" pour des recommandations sur le chargement.
	Inspecter le circuit de plomberie pour vérifier que le tuyau de vidange est correctement installé. Le tuyau de vidange se prolonge dans le tuyau rigide de rejet à l'égout au-delà de 4,5" (114 mm).	Vérifier que le tuyau de vidange est correctement installé. Utiliser la bride de retenue pour tuyau de vidange et la fixer solidement au tuyau de rejet à l'égout ou à l'évier de buanderie. Ne pas placer de ruban adhésif sur l'ouverture du système de vidange. Abaisser le tuyau de vidange si l'extrémité se trouve à plus de 96" (2,4 m) au-dessus du plancher. Retirer toute obstruction du tuyau de vidange.
	Un excès de mousse causé par une utilisation excessive de détergent peut ralentir ou arrêter la vidange ou l'essorage.	Toujours mesurer les quantités et suivre les instructions figurant sur le détergent en fonction de la charge. Pour éliminer tout excès de mousse sur un modèle sans paiement, sélectionner Rinse (rinçage) & Spin (essorage). Ne pas ajouter de détergent.
Endroits secs sur la charge après un programme	Un essorage à vitesse élevée extrait davantage d'humidité que les laveuses traditionnelles à chargement par le dessus.	Un essorage à vitesse élevée associé à une circulation d'air durant l'essorage final peut entraîner l'apparition de portions sèches sur le linge placé sur le haut de la charge au cours de l'essorage final. Ceci est normal.
Températures de lavage ou de rinçage incorrectes	Vérifier que la laveuse est correctement alimentée en eau.	Vérifier que les tuyaux d'arrivée d'eau chaude et froide ne sont pas inversés.
		Les deux tuyaux doivent être raccordés à la fois à la laveuse et au robinet, et la valve d'arrivée doit recevoir à la fois de l'eau chaude et de l'eau froide.
		Vérifier que les tamis des valves d'arrivée ne sont pas obstrués. Éliminer toute déformation des tuyaux.
Températures de lavage contrôlées pour effectuer des économies d'énergie.	Cette laveuse utilise des températures de lavage et de rinçage inférieures à celles qu'utilisait votre laveuse précédente. Cela signifie également des températures inférieures de lavage à l'eau chaude et à l'eau tiède.	
Charge non rincée	Vérifier que la laveuse est correctement alimentée en eau.	Vérifier que les tuyaux d'arrivée d'eau chaude et froide ne sont pas inversés.
		Les deux tuyaux doivent être fixés et l'eau doit pénétrer dans la valve d'arrivée.
		Les robinets d'eau chaude et d'eau froide doivent être ouverts tous les deux.
		Les tamis de la valve d'arrivée d'eau de la laveuse sont peut-être obstrués. Éliminer toute déformation du tuyau d'arrivée.
	Utilisation excessive de détergent.	La mousse produite par un excès de détergent peut empêcher la laveuse de fonctionner correctement. Toujours mesurer la quantité de détergent et toujours suivre les instructions du détergent en fonction de la taille et du niveau de saleté de la charge.

# Dépannage

Avant de demander une intervention de dépannage par téléphone pour votre laveuse, essayer d'abord les solutions suggérées dans cette section.

Si les phénomènes suivants se produisent	Causes possibles	Solution
<b>La laveuse ne fonctionne pas comme prévu (suite)</b>		
Charge non rincée (suite)	La laveuse n'a pas été chargée tel que recommandé.	La laveuse effectuera un rinçage moins performant si la charge est tassée.
		Charger les vêtements sans les tasser et de façon uniforme le long de la paroi du panier. Charger la laveuse uniquement avec des articles secs. Ne pas charger de vêtements par-dessus la protection pour vêtements en plastique blanc.
		Utiliser le programme conçu pour les tissus à laver.
		Si l'on souhaite ajouter des vêtements une fois que la laveuse a démarré, n'en rajouter qu'un ou deux supplémentaire.
Sable, poils d'animaux, charpie, etc. sur la charge après le lavage	Des dépôts lourds de sable, de poils d'animaux, de charpie, et des résidus de détergent, d'adoucissant pour tissu ou d'agent de blanchiment sans chlore peuvent nécessiter un rinçage supplémentaire.	Utiliser le programme Heavy Duty (service intense).
La charge est emmêlée	La laveuse n'a pas été chargée tel que recommandé.	Voir la section "Utilisation de la laveuse".
		Sélectionner un programme comportant un lavage plus lent et une vitesse d'essorage inférieure. Noter que les articles seront plus mouillés que si l'on utilise une vitesse d'essorage supérieure. Voir le "Guide de programmes" pour utiliser le programme qui correspond le mieux à la charge utilisée.
		Charger les vêtements sans les tasser et de façon uniforme le long de la paroi du panier.
		Réduire l'emmêlement en mélangeant plusieurs types d'articles dans la charge. Utiliser le programme recommandé correspondant aux types de vêtements à laver.
Ne nettoie ou ne détache pas	La laveuse n'a pas été chargée tel que recommandé.	La laveuse effectue un nettoyage moins performant si la charge est trop tassée.
		Charger les vêtements sans les tasser et de façon uniforme le long de la paroi du panier. Charger la laveuse uniquement avec des articles secs.
		Si l'on souhaite ajouter des vêtements une fois que la laveuse a démarré, n'en rajouter qu'un ou deux supplémentaire.
	Ajout de détergent sur le dessus de la charge.	Ajouter le détergent, les produits oxi et l'agent de blanchiment sans danger pour les couleurs au fond du panier avant de charger les articles dans la laveuse.
	Utilisation excessive de détergent.	La mousse produite par un excès de détergent peut empêcher la laveuse de fonctionner correctement. Toujours mesurer la quantité de détergent et toujours suivre les instructions du détergent en fonction de la taille et du niveau de saleté de la charge.
	Programme utilisé incorrect par rapport au type de tissu.	Utiliser une option de programme de niveau de saleté plus élevée et une température de lavage plus chaude pour améliorer le nettoyage.
		Utiliser le programme Heavy Duty (service intense) pour un nettoyage puissant. Voir le "Guide de programmes" pour utiliser le programme qui correspond le mieux à la charge utilisée.
Distributeurs non utilisés.	Utiliser les distributeurs pour éviter que l'agent de blanchiment au chlore et l'assouplissant pour tissu ne tachent les vêtements. Remplir les distributeurs avant de démarrer un programme.	

# Dépannage

Avant de demander une intervention de dépannage par téléphone pour votre laveuse, essayer d'abord les solutions suggérées dans cette section.

Si les phénomènes suivants se produisent	Causes possibles	Solution	
<b>La laveuse ne fonctionne pas comme prévu (suite)</b>			
Ne nettoie ou ne détache pas (suite)	Distributeurs non utilisés. (suite)	Ne pas verser de produits directement sur la charge.	
	Les couleurs similaires ne sont pas lavées ensemble.	Laver ensemble les couleurs semblables et les retirer rapidement une fois le programme terminé pour éviter tout transfert de teinture.	
Fonctionnement incorrect du distributeur	Distributeur obstrué.	Utiliser seulement un agent de blanchiment liquide dans le distributeur d'agent de blanchiment. Utiliser uniquement un assouplissant pour tissu dans le distributeur d'assouplissant pour tissu.	
Dommages aux tissus	Des objets pointus se trouvaient dans les poches au moment du programme de lavage.	Vider les poches, fermer les fermetures à glissière, les boutons pression et les agrafes avant le lavage pour éviter d'accrocher et de déchirer le linge.	
	Les cordons et les ceintures se sont peut-être emmêlés.	Attacher tous les cordons et les ceintures avant de démarrer le nettoyage de la charge.	
	Les articles étaient peut-être endommagés avant le lavage.	Raccommoder les déchirures et reprendre les fils cassés des coutures avant le lavage.	
	Des dommages au tissu peuvent se produire si la charge est trop tassée.		Charger les vêtements sans les tasser et de façon uniforme le long de la paroi du panier. Charger la laveuse uniquement avec des articles secs. Charger en-deçà de la protection pour vêtements en plastique blanc.
			Utiliser le programme conçu pour les tissus à laver.
			Si l'on souhaite ajouter des vêtements une fois que la laveuse a démarré, n'en rajouter qu'un ou deux supplémentaire.
	L'agent de blanchiment au chlore n'a pas été ajouté correctement.		Ne pas verser d'agent de blanchiment au chlore liquide directement sur la charge. Essuyer tous les renversements d'agent de blanchiment.
			Un agent de blanchiment non dilué endommagera les tissus. Ne pas utiliser plus que la quantité recommandée par le fabricant.
Ne pas placer d'articles sur le dessus du distributeur d'agent de blanchiment lorsqu'on charge et décharge la laveuse.			
Les instructions de soin des vêtements n'ont peut-être pas été suivies.		Toujours lire et suivre les instructions d'entretien du fabricant indiquées sur l'étiquette du vêtement. Voir le "Guide de programmes" pour utiliser le programme qui correspond le mieux à la charge utilisée.	
Odeurs	L'entretien mensuel n'est pas effectué tel que recommandé.	Voir "Entretien de la laveuse" dans la section "Entretien de la laveuse."	
		Décharger la laveuse dès que le programme est terminé.	
	Utilisation excessive de détergent.	Veiller à mesurer correctement. Toujours suivre les instructions du fabricant. Voir la section "Entretien de la laveuse".	
Le témoin lumineux Lid Locked (couvercle verrouillé) clignote	Le couvercle n'est pas fermé.	Rabattre le couvercle et appuyer sur START (mise en marche). La laveuse ne démarrera et ne se remplira pas si le couvercle est ouvert.	
	Un programme a été interrompu ou suspendu à l'aide du bouton Start (Pause/Unlock) (mise en marche [pause/déverrouillage]).	La laveuse est peut-être toujours en phase d'essorage. Le couvercle ne se déverrouillera pas avant que le panier ne cesse de tourner. Si on lave des charges de grande taille ou des tissus lourds, ceci peut prendre quelques minutes.	
Le sachet de lessive à dose unique ne se dissout pas	Sachet de lessive mal utilisé.	Veiller à ajouter le sachet de lessive dans le panier de la laveuse avant d'ajouter les vêtements. Ne pas placer de sachet dans les distributeurs. Suivre les instructions du fabricant pour éviter d'endommager les vêtements.	

# GARANTIE LIMITÉE POUR LES PRODUITS DE BUANDERIE COMMERCIAUX WHIRLPOOL®

## SI VOUS AVEZ BESOIN DE SERVICE :

Communiquer avec votre distributeur de produits de buanderie commerciaux Whirlpool® autorisé. Pour savoir où se trouve le distributeur de produits de buanderie commerciaux Whirlpool® autorisé le plus près de chez vous, visiter le [www.WhirlpoolCommercialLaundry.com](http://www.WhirlpoolCommercialLaundry.com).

Pour les correspondances écrites :

**Whirlpool® Commercial Laundry Service Department**  
2000 N M 63  
Benton Harbor, Michigan 49022-2632 USA

## GARANTIE LIMITÉE DE 90 JOURS

### CE QUI EST COUVERT

#### GARANTIE LIMITÉE DE 90 JOURS (PIÈCES ET MAIN-D'ŒUVRE)

Pendant 90 jours à compter de la date d'achat d'origine, lorsque cet appareil ménager à usage commercial est installé, entretenu et utilisé conformément aux instructions jointes à ou fournies avec le produit, Whirlpool Corporation (ci-après désignée "Whirlpool") paiera pour la main d'œuvre et les pièces de rechange spécifiées par l'usine pour corriger les vices de matériaux ou de fabrication qui existaient déjà lorsque cet appareil ménager à usage commercial a été acheté.

#### GARANTIE LIMITÉE DE DEUX ANS (PIÈCES UNIQUEMENT)

Pendant les deux premières années à compter de la date d'achat d'origine, lorsque cet appareil ménager à usage commercial est installé, utilisé et entretenu conformément aux instructions jointes à ou fournies avec le produit, Whirlpool paiera pour les pièces de rechange spécifiées par l'usine pour corriger les vices de matériaux ou de fabrication qui existaient déjà lorsque cet appareil ménager à usage commercial a été acheté.

**VOTRE SEUL ET EXCLUSIF RECOURS DANS LE CADRE DE LA PRÉSENTE GARANTIE LIMITÉE CONSISTE EN LA RÉPARATION PRÉVUE CI-DESSUS.** Whirlpool recommande que l'utilisateur emploie les services d'un dépanneur "intra-réseau" pour diagnostiquer la panne et réparer le produit de buanderie à usage commercial concerné. Dans le cadre de la présente garantie, Whirlpool ne sera pas responsable de l'octroi de pièces de rechange supplémentaires suite à un diagnostic erroné ou à une réparation effectuée par un dépanneur "hors réseau". Cette garantie limitée est valide aux États-Unis ou au Canada et s'applique exclusivement lorsque l'appareil commercial est utilisé dans le pays où il a été acheté. La présente garantie limitée est valable à compter de la date d'achat initial par le consommateur. Une preuve de la date d'achat initial est exigée pour obtenir un dépannage dans le cadre de la présente garantie limitée.

### CE QUI N'EST PAS COUVERT

1. Tous les autres coûts, y compris les frais de main-d'œuvre, de transport, d'expédition ou de droits de douane pour les pièces couvertes.
  2. Les pièces de rechange spécifiées par l'usine lorsque cet appareil ménager à usage commercial est utilisé à des fins autres qu'un usage commercial normal ou lorsque les instructions d'installation ou les instructions fournies à l'opérateur ou l'utilisateur ne sont pas respectées.
  3. Les visites de service pour rectifier l'installation de l'appareil ménager à usage commercial, montrer à l'utilisateur comment utiliser l'appareil ménager à usage commercial, remplacer ou réparer des fusibles ou rectifier le câblage ou la plomberie externe.
  4. Les interventions de dépannage pour réparer ou remplacer les ampoules électriques, filtres à air ou filtres à eau de l'appareil. Les pièces consommables ne sont pas couvertes par la garantie.
  5. Les dommages imputables à : mauvaise manipulation du produit lors de la livraison, vol, accident, modification, usage impropre ou abusif, incendie, inondation, actes de Dieu, installation fautive ou installation non conforme aux codes locaux d'électricité ou de plomberie ou l'utilisation de produits non approuvés par Whirlpool.
  6. Enlèvement et livraison. Cet appareil ménager à usage commercial est conçu pour être réparé sur site.
  7. Les réparations aux pièces ou systèmes résultant d'une modification non autorisée faite à l'appareil commercial.
  8. L'enlèvement et la réinstallation de votre appareil commercial si celui-ci est installé dans un endroit inaccessible ou n'est pas installé conformément aux instructions d'installation fournies.
  9. Dommages entraînés par l'exposition du produit à des produits chimiques.
  10. Des modifications apportées à l'immeuble, à la pièce ou aux lieux afin de permettre à l'appareil ménager à usage commercial de fonctionner correctement.
  11. Les pièces de rechange spécifiées par l'usine pour les appareils commerciaux dont les numéros de série et de modèle originaux ont été enlevés, modifiés ou qui ne peuvent pas être facilement identifiés.
  12. La décoloration, la rouille ou l'oxydation des surfaces en acier inoxydable.
  13. Les pièces de rechange spécifiées par l'usine suite à un diagnostic erroné ou à une réparation effectuée par un service de dépannage "hors réseau".
- Le coût d'une réparation ou d'un remplacement dans le cadre de ces circonstances exclues est à la charge du client.**

## CLAUSE D'EXONÉRATION DE RESPONSABILITÉ AU TITRE DES GARANTIES IMPLICITES

LES GARANTIES IMPLICITES, Y COMPRIS LES GARANTIES IMPLICITES DE QUALITÉ MARCHANDE OU D'APTITUDE À UN USAGE PARTICULIER, SONT LIMITÉES À DEUX ANS OU À LA PLUS COURTE PÉRIODE AUTORISÉE PAR LA LOI. Certains États et certaines provinces ne permettent pas de limitation sur la durée des garanties implicites, de qualité marchande ou d'aptitude à un usage particulier, de sorte que la limitation ci-dessus peut ne pas être applicable dans votre cas. Cette garantie vous confère des droits juridiques spécifiques et vous pouvez également jouir d'autres droits qui peuvent varier d'une juridiction à l'autre.

## EXONÉRATION DE RESPONSABILITÉ DANS LES DOMAINES NON COUVERTS PAR LA GARANTIE

Whirlpool décline toute responsabilité au titre de la qualité, de la durabilité ou en cas de dépannage ou de réparation nécessaire sur cet appareil ménager autre que les responsabilités énoncées dans la présente garantie. Si vous souhaitez une garantie plus étendue ou plus complète que la garantie limitée fournie avec ce gros appareil ménager, adressez-vous à Whirlpool ou à votre détaillant pour obtenir les modalités d'achat d'une garantie étendue.

## LIMITATION DES RECOURS; EXCLUSION DES DOMMAGES FORTUITS OU INDIRECTS

VOTRE SEUL ET EXCLUSIF RECOURS DANS LE CADRE DE LA PRÉSENTE GARANTIE LIMITÉE CONSISTE EN LA RÉPARATION PRÉVUE CI-DESSUS. WHIRLPOOL NE SERA PAS TENUE RESPONSABLE DES DOMMAGES DIRECTS OU INDIRECTS. Certains États et certaines provinces ne permettent pas l'exclusion ou la limitation des dommages fortuits ou indirects de sorte que ces limitations et exclusions peuvent ne pas être applicables dans votre cas. Cette garantie vous confère des droits juridiques spécifiques et vous pouvez également jouir d'autres droits qui peuvent varier d'une juridiction à l'autre.

# Notes

# Notes

## Assistance or Service

Before calling for assistance or service, please check "Troubleshooting" or visit [www.whirlpool.com/help](http://www.whirlpool.com/help). It may save you the cost of a service call. If you still need help, follow the instructions below. When calling, please know the purchase date and the complete model and serial number of your appliance. This information will help us to better respond to your request.

### If you need replacement parts or to order accessories

We recommend that you use only FSP® Factory Specified Parts. These parts will fit right and work right because they are made with the same precision used to build every new WHIRLPOOL® appliance.

**To locate FSP® replacement parts or accessories go to [www.whirlpoolpartsonline.com](http://www.whirlpoolpartsonline.com).**

Questions? Call us toll free at **1-866-698-2538** or in Canada call **1-800-688-2002**.

### Our consultants provide assistance with

#### In the U.S.A.

- Features and specifications on our full line of appliances.
- Installation information.
- Specialized customer assistance (Spanish speaking, hearing impaired, limited vision, etc.).

#### In the U.S.A. and Canada

- Use and maintenance procedures.
- Accessory and repair parts sales.
- Referrals to local dealers, repair parts distributors, and service companies. Whirlpool designated service technicians are trained to fulfill the product warranty and provide after-warranty service, anywhere in the United States and Canada.

You can write with any questions or concerns at:

Whirlpool Brand Appliances  
Customer eXperience Center  
553 Benson Road  
Benton Harbor, MI 49022-2692  
1-866-698-2538

Whirlpool Brand Appliances  
Customer eXperience Centre  
Unit 200-6750 Century Ave  
Mississauga, Ontario L5N 0B7  
1-800-688-2002

Please include a daytime phone number in your correspondence.

## Assistance ou Service

Avant de faire un appel pour obtenir de l'assistance ou un entretien, vérifiez la section "Dépannage" ou consulter [www.whirlpool.com/help](http://www.whirlpool.com/help). Cette vérification peut vous faire économiser le coût d'une visite de réparation.

Si vous avez encore besoin d'aide, suivez les instructions ci-dessous.

Lors d'un appel, garder à portée de main la date d'achat et les numéros de modèle et de série de votre appareil. Ces renseignements nous aideront à mieux répondre à votre demande.

### Pour commander des pièces de rechange ou des accessoires

Pour commander des pièces de rechange, nous vous recommandons d'utiliser seulement des pièces spécifiées par l'usine. Ces pièces conviendront et fonctionneront bien parce qu'elles sont fabriquées selon les mêmes spécifications précises utilisées pour construire chaque nouvel appareil WHIRLPOOL®.

**Pour trouver des pièces de rechange FSP® ou des accessoires, visiter le [www.whirlpool.ca](http://www.whirlpool.ca).**

Des questions? Composer le numéro sans frais **1-800-688-2002**.

### Nos consultants fournissent l'assistance pour :

- Procédés d'utilisation et d'entretien.
- Vente d'accessoires et de pièces de rechange.
- Références aux concessionnaires, compagnies de service de réparation et distributeurs de pièces de rechange locaux. Les techniciens de service désignés par Whirlpool sont formés pour remplir la garantie des produits et fournir un service après la garantie, partout au Canada.

### Pour plus d'assistance

Vous pouvez nous soumettre toute question ou tout problème en écrivant à l'adresse ci-dessous :

Whirlpool Brand Appliances  
Centre pour l'eXpérience de la clientèle  
Unit 200-6750 Century Ave  
Mississauga, Ontario L5N 0B7  
1-800-688-2002

Dans votre correspondance, veuillez indiquer un numéro de téléphone où nous pouvons vous joindre dans la journée.