

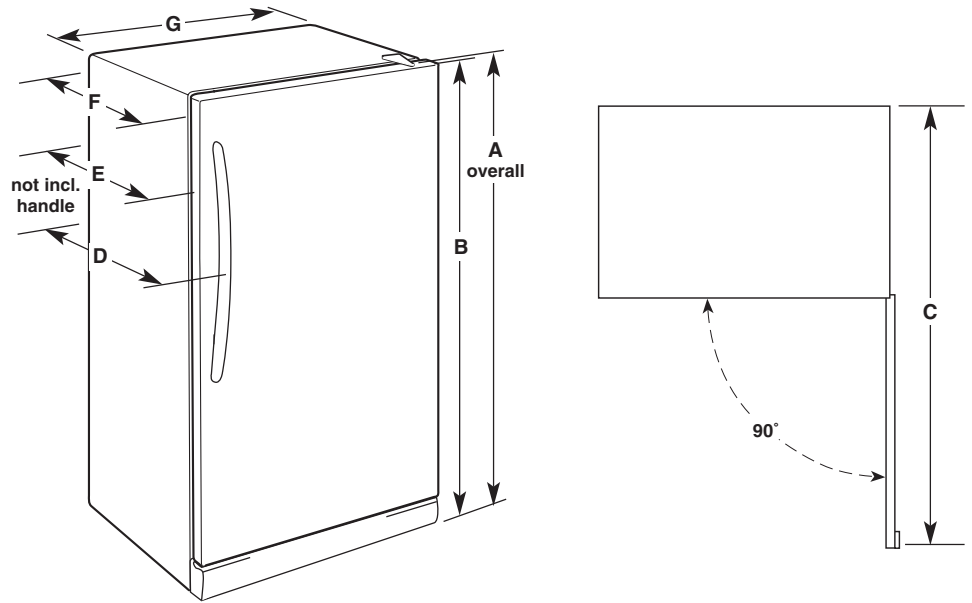
PRODUCT MODEL NUMBERS

WSR57R18DM

Electrical: A 115 V, 60 Hz., AC only, 15 or 20 A fused, grounded electrical supply is required. It is recommended that a separate circuit serving only your freezer be provided. Use an outlet that cannot be turned off by a switch. Do not use an extension cord.

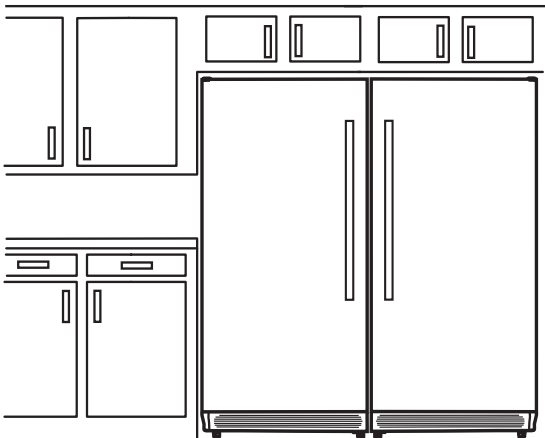
NOTE: Before performing any type of installation, cleaning, or removing a light bulb, turn the control (Thermostat, Refrigerator or Freezer Control depending on the model) to OFF and then disconnect the refrigerator from the electrical source. When you are finished, reconnect the refrigerator to the electrical source and reset the control (Thermostat, Refrigerator or Freezer Control depending on the model) to the desired setting. See "Using the Controls."

PRODUCT DIMENSIONS



| Model Number | Model Size | Door Swing | Height - Overall "A" | Height - Top of Cabinet "B" | Depth - Doors Open 90° "C" | Depth - With Handles "D" | Depth - Without Handles "E" | Depth - Cabinet Only "F" | Width - Cabinet "G" |
|--------------|--------------|------------|--|--|--|---|---|---|---|
| WSR57R18DM | 17.7 cu. ft. | Right | 66 ³ / ₄ " (169.5 cm) | 66 ¹ / ₄ " (168.3 cm) | 55 ³ / ₄ " (141.6 cm) | 31 ¹ / ₄ " (79.4 cm) | 28 ⁷ / ₄ " (73.3 cm) | 24 ⁵ / ₈ " (62.5 cm) | 30 ¹ / ₄ " (76.8 cm) |

LOCATION REQUIREMENTS



Ventilation and Clearance

- This refrigerator may be installed side by side with another freezer. Allow at least 1" (2.54 cm) between back of cabinet and the wall, and a 1/4" (6.4 mm) clearance between the appliances.
- If you are installing your refrigerator next to a fixed wall, leave 2" on the hinge side so the door can open wider.
- Keep flammable materials and vapors, such as gasoline, away from freezer.
- Do not cover the refrigerator with items such as blankets, sheets, tablecloths, etc. This reduces air circulation.

Temperature

Your refrigerator operates most efficiently when located in an area where the temperature will not fall below 40°F (5°C). Place your refrigerator in a location where the temperature will not fall below this recommended temperature.