

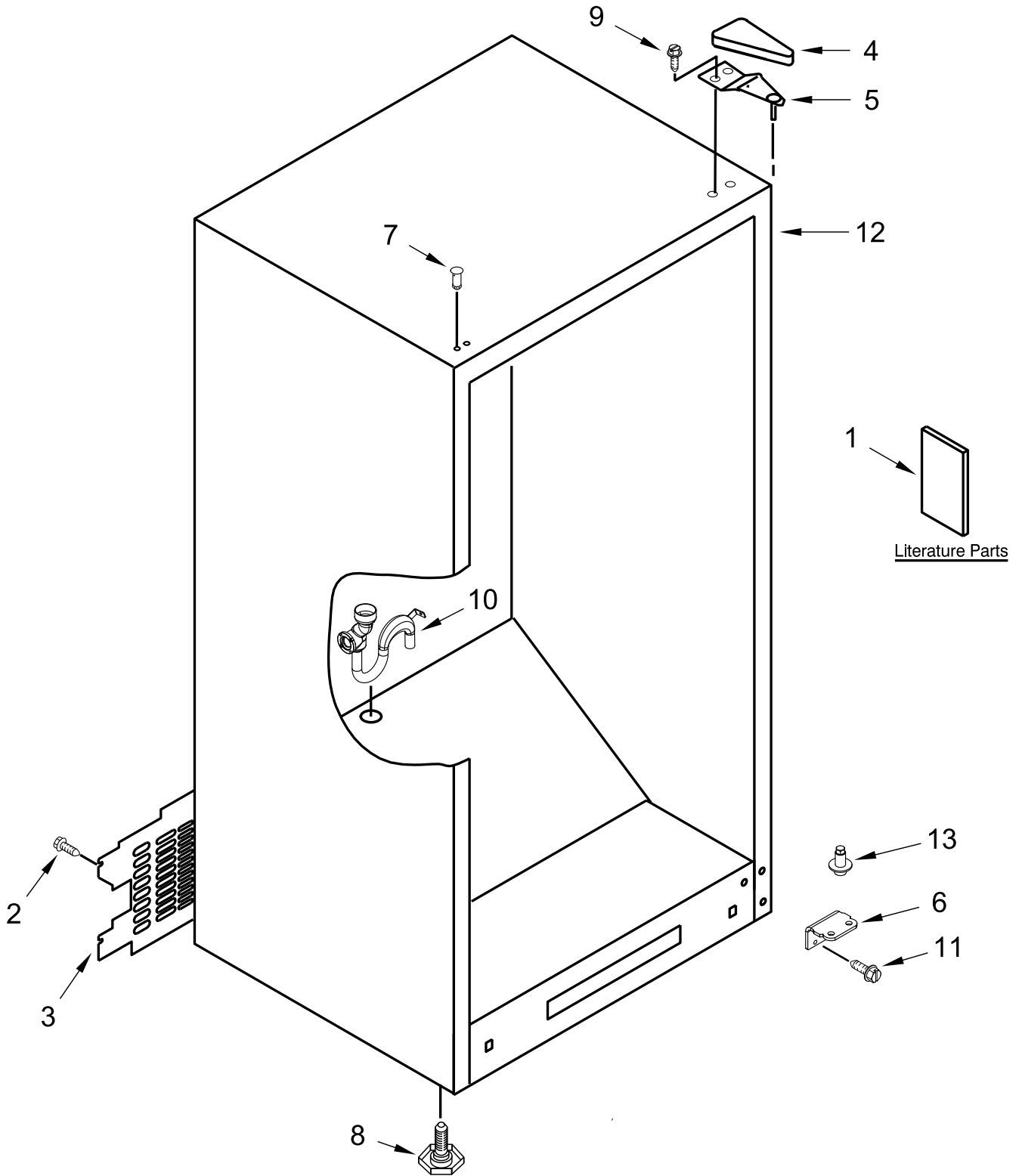


16 Cubic Foot Vertical Freezer

MODELS:

MZF34X16DW00 (White)

CABINET PARTS



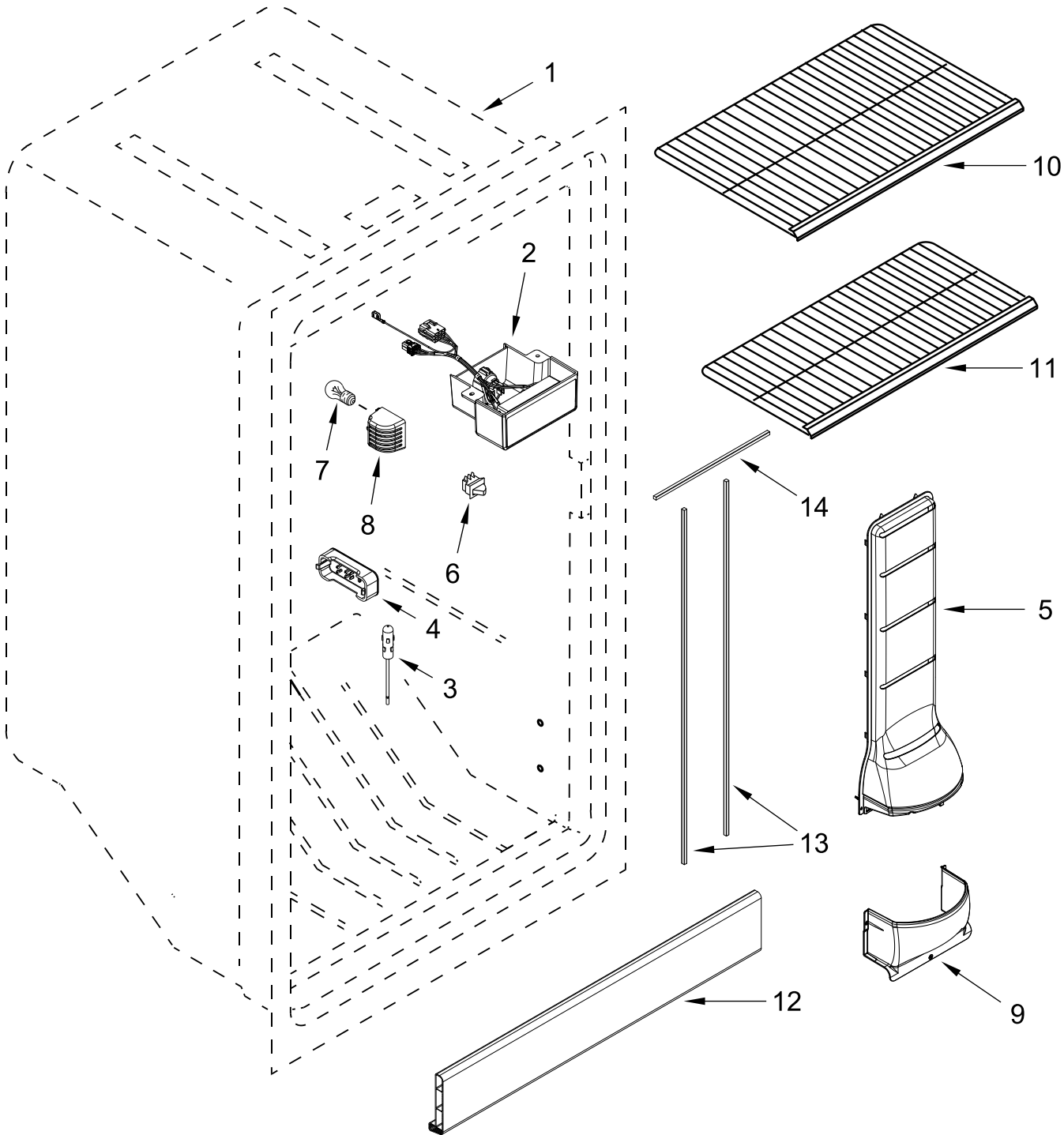
CABINET PARTS

<u>Illus.</u> <u>No.</u>	<u>Part No.</u>	<u>Description</u>
1		Literature Parts
	W10675483	Use & Care Guide
	W10680102	Energy Guide
	W10653921	Tech Sheet
2	3-80732-014	Screw
3	W10574323	Cover, Unit
4		Cover, Hinge
	2213360	White

<u>Illus.</u> <u>No.</u>	<u>Part No.</u>	<u>Description</u>
5	2261963	Assembly, Top Hinge
6		Hinge Plate, Bottom
	W10574264	White
7		Plug, Hole
	W10520304	White
8	3-82710-001	Leg, Leveler
9	3400113	Screw

<u>Illus.</u> <u>No.</u>	<u>Part No.</u>	<u>Description</u>
10	W10717194	Drain Tube
11	12991302	Screw
12		Cabinet (Not A Serviceable Part)
13	W10574325	Hinge Pin, Lower

LINER PARTS



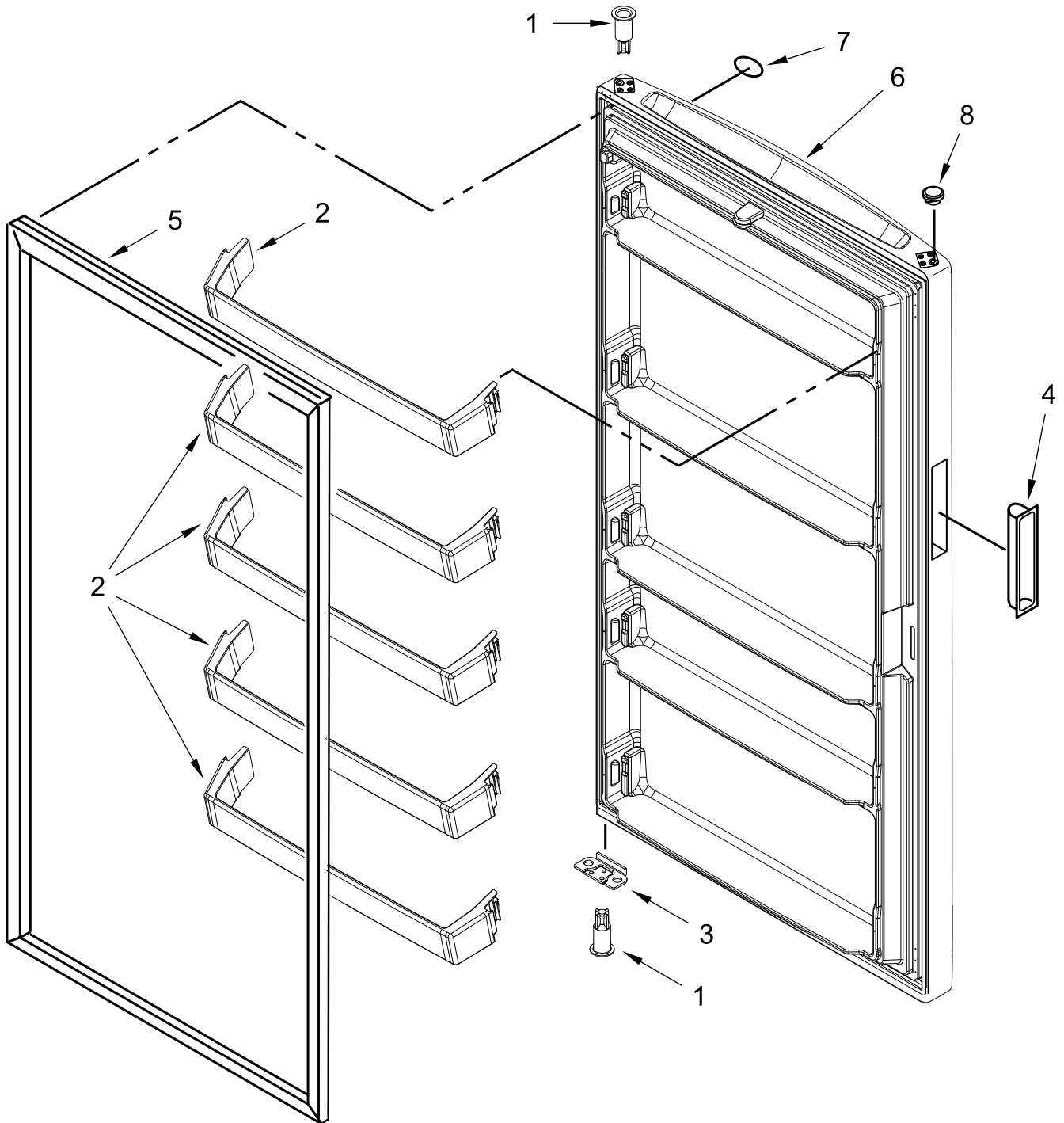
LINER PARTS

<u>Illus.</u> <u>No.</u>	<u>Part No.</u>	<u>Description</u>
1		Liner (Not A Serviceable Part)
2	W10683037	Control Assembly
3	W10384183	Thermistor, Refrigerator Compartment
4	W10608692	Cover, Thermistor
5	W10574585	Air Tower

<u>Illus.</u> <u>No.</u>	<u>Part No.</u>	<u>Description</u>
6	W10755325	Switch, Light
7	W10565137	Lamp, LED
8	W10569269	Lens, Control Box
9	W10574581	Cover, Evaporator Fan
10	W10569280	Wire Shelf, Deep
11	W10569281	Wire Shelf, Shallow

<u>Illus.</u> <u>No.</u>	<u>Part No.</u>	<u>Description</u>
12	W10581588	Trim, Door
13	W10574563	Gasket, Air Tower (Vertical)
14	W10574564	Gasket, Air Tower (Horizontal)

DOOR PARTS



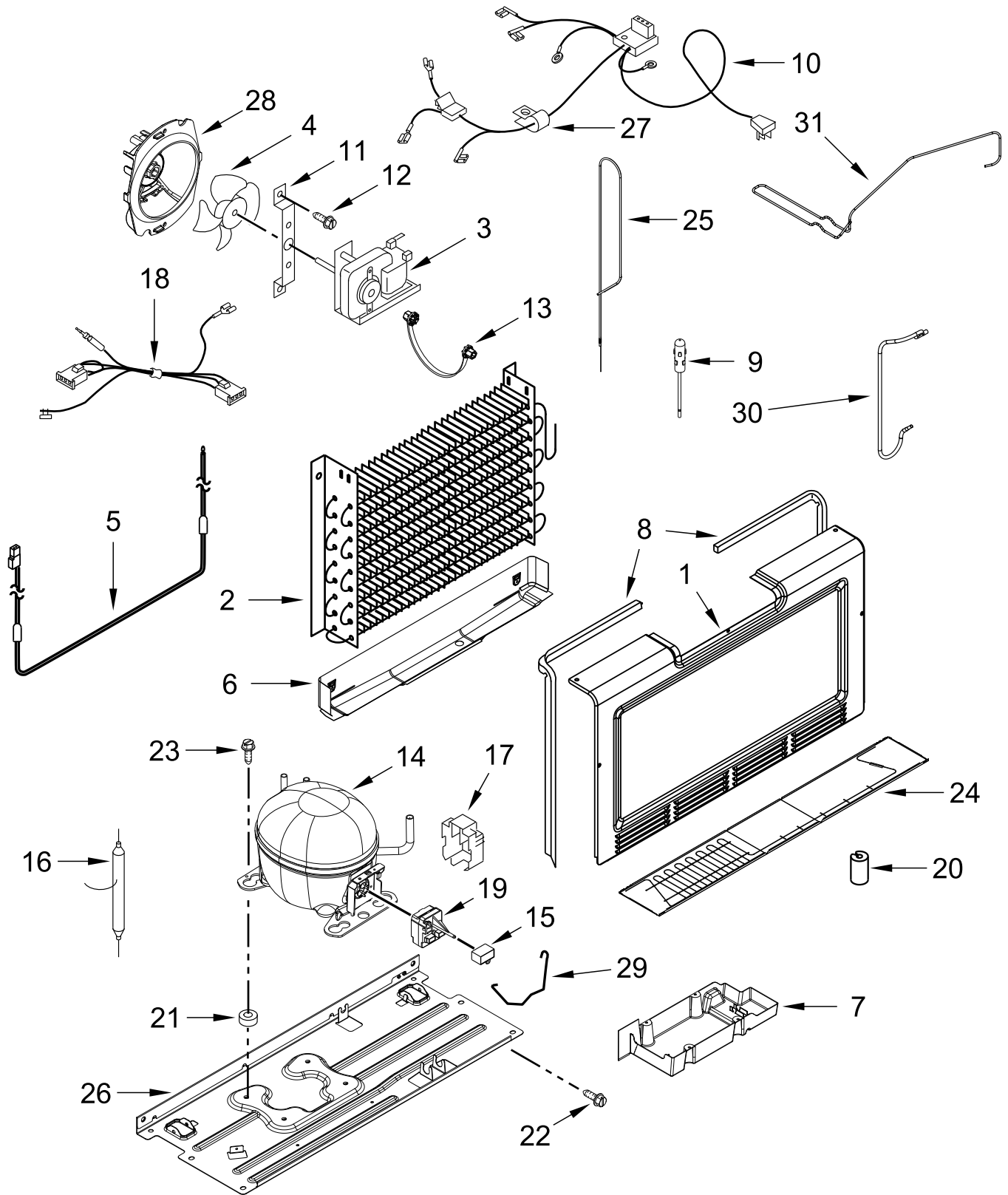
DOOR PARTS

<u>Illus.</u> <u>No.</u>	<u>Part No.</u>	<u>Description</u>
1	2314293	Thimble
2	W10737497	Rail, Door Shelf
3	W10628869	Bracket, Door Stop
4		Handle, Door
	W10352523	White

<u>Illus.</u> <u>No.</u>	<u>Part No.</u>	<u>Description</u>
5		Gasket, Door
	W10574473	White
6		Door Assembly
	W10673692	White
7	W10612925	Badge

<u>Illus.</u> <u>No.</u>	<u>Part No.</u>	<u>Description</u>
8		Plug, Hole
	2212648	White

UNIT PARTS



UNIT PARTS

<u>Illus.</u> <u>No.</u>	<u>Part No.</u>	<u>Description</u>	<u>Illus.</u> <u>No.</u>	<u>Part No.</u>	<u>Description</u>	<u>Illus.</u> <u>No.</u>	<u>Part No.</u>	<u>Description</u>
1	W10574307	Cover, Evaporator	13	W10150583	Grommet, Fan Motor	26	W10574278	Pan, Compressor
2	W10574283	Evaporator	14	W10665797	Compressor	27	549193	Clamp, Power Cord
3	W10359880	Fan Motor	15	W10350564	Capacitor	28	W10574469	Shroud, Evaporator Fan
4	2169142	Blade, Fan	16	W10709968	Drier	29	W10574470	Bale Strap
5	W10316428	Heater, Defrost	17	W10574450	Shield, Capacitor	30	W10574571	Suction Tube
6	W10314195	Shield, Heat	18	W10693200	Harness, Evaporator Fan	31	W10574478	Discharge Tube
7	W10574291	Drain Pan, Evaporator	19	W10330834	Device, Start			REFRIGERANT CHARGE
8	W10574305	Gasket, Evaporator Cover	20	2319835	Grommet, Condenser			3.5 oz (R-134)
9	W10383615	Thermistor, Freezer Evaporator	21	2183042	Grommet			
10	W10622169	Wire Harness (Includes Power Cord)	22	W10142287	Bolt			
11	13058002	Clip, Evaporator Motor	23	489473	Screw			
12	3-80732-014	Screw	24	W10682880	Condenser			
			25	W10574281	Exchanger, Heat			

OPTIONAL PARTS (NOT INCLUDED)

PAIN, PRESSURIZED SPRAY (12 OZ.)

<u>Illus. No.</u>	<u>Part No.</u>	<u>Description</u>
	350942	White Primer
	350939	Enamel, Black
	350930	White
	8171357	Graphite

PAIN, TOUCH-UP (1/2OZ.)

<u>Illus. No.</u>	<u>Part No.</u>	<u>Description</u>
	72017	White
	72032	Black
	80051	Graphite
	W10134625	Apollo Grey

PAIN, BULK (1 QT.)

<u>Illus. No.</u>	<u>Part No.</u>	<u>Description</u>
	799344	White
	8171358	Graphite

MISCELLANEOUS

<u>Illus. No.</u>	<u>Part No.</u>	<u>Description</u>
	212643	Sealer, Gum (4 Feet)
	479502	Tape, Vinyl (3/4 x 108")
	505587	Sealer, Mastic (1 Qt)
	503695	Cork, Sealer
	542638	Grease, Silicone (1/2 Oz.)
	542639	Cement, Alumilastic (1 1/4 Oz.)
	833938	Kit, Terminal Connector

TORX SCREW WRENCH

<u>Illus. No.</u>	<u>Part No.</u>	<u>Description</u>
	1117510	Torx Key