

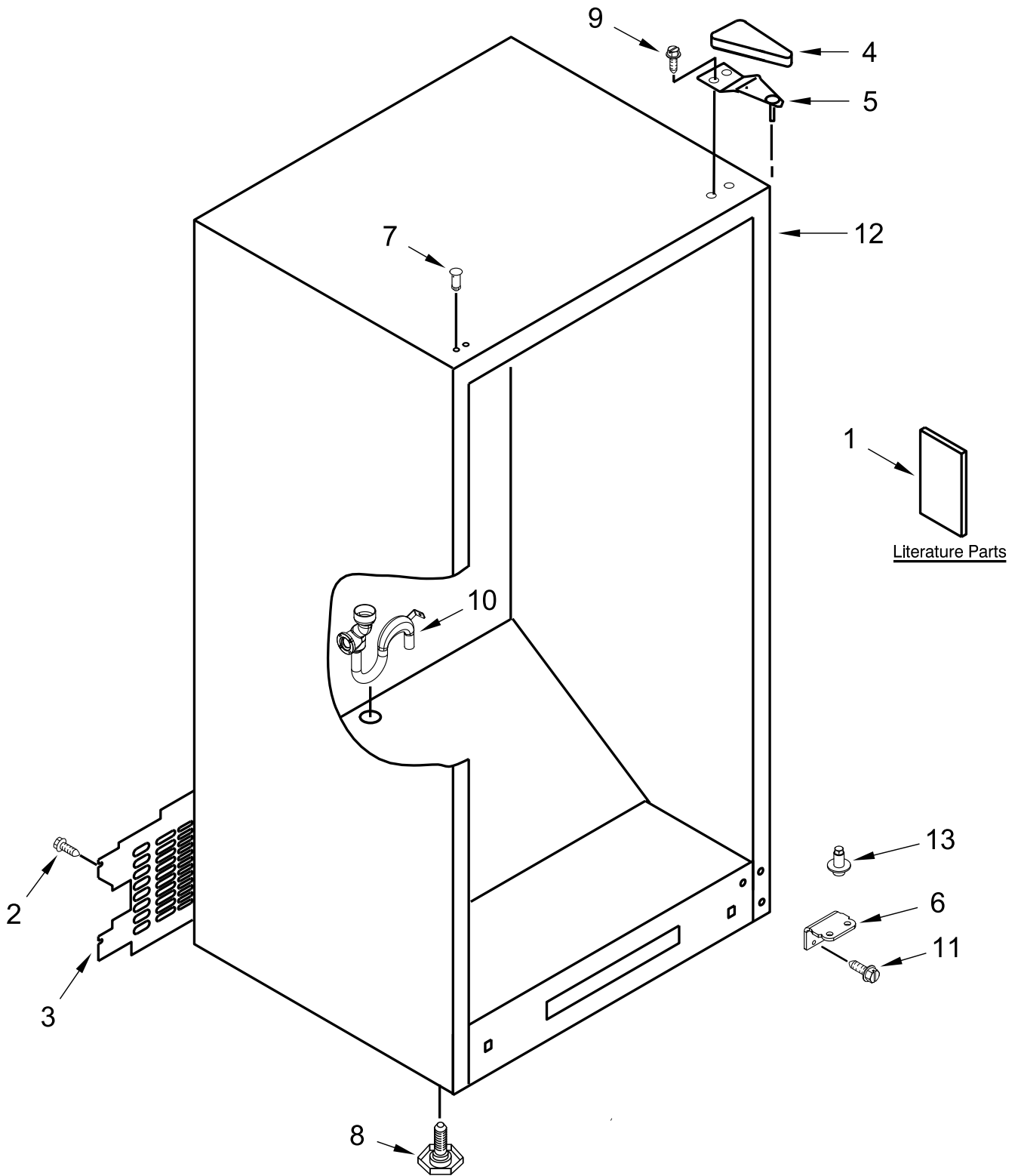


16 Cubic Foot Vertical Freezer

MODELS:

WZF56R16DW00 (White)

CABINET PARTS



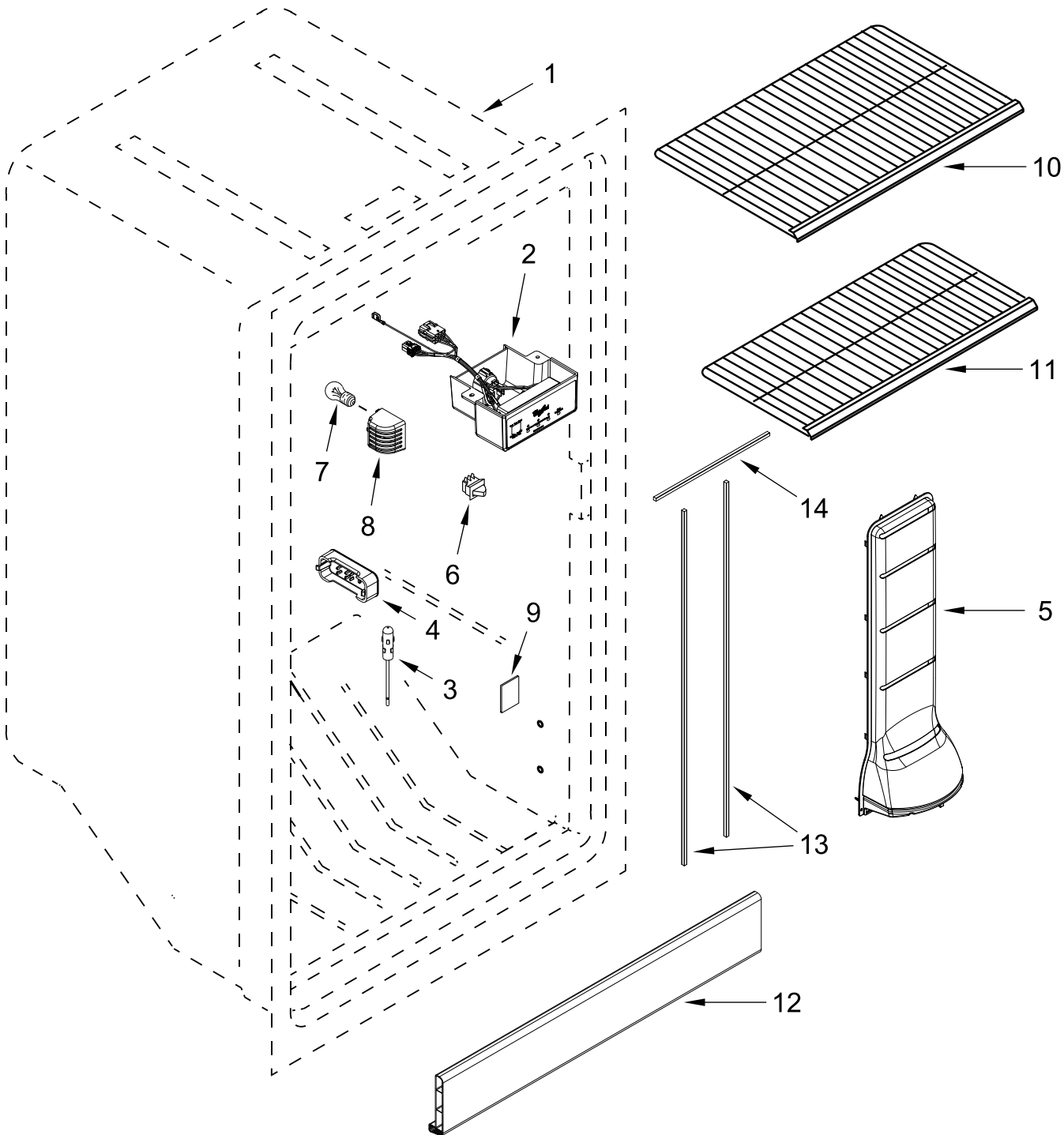
CABINET PARTS

<u>Illus.</u> <u>No.</u>	<u>Part No.</u>	<u>Description</u>
1		Literature Parts
	W10668404	Use & Care Guide
	W10669226	Energy Guide
	W10653921	Tech Sheet
2	3-80732-014	Screw
3	W10574323	Cover, Unit
4		Cover, Hinge
	2213360	White

<u>Illus.</u> <u>No.</u>	<u>Part No.</u>	<u>Description</u>
5	2261963	Assembly, Top Hinge
6		Hinge Plate, Bottom
	W10574264	White
7		Plug, Hole
	W10520304	White
8	3-82710-001	Leg, Leveler
9	3400113	Screw

<u>Illus.</u> <u>No.</u>	<u>Part No.</u>	<u>Description</u>
10	W10717194	Drain Tube
11	12991302	Screw
12		Cabinet (Not A Serviceable Part)
13	W10574325	Hinge Pin, Lower

LINER PARTS



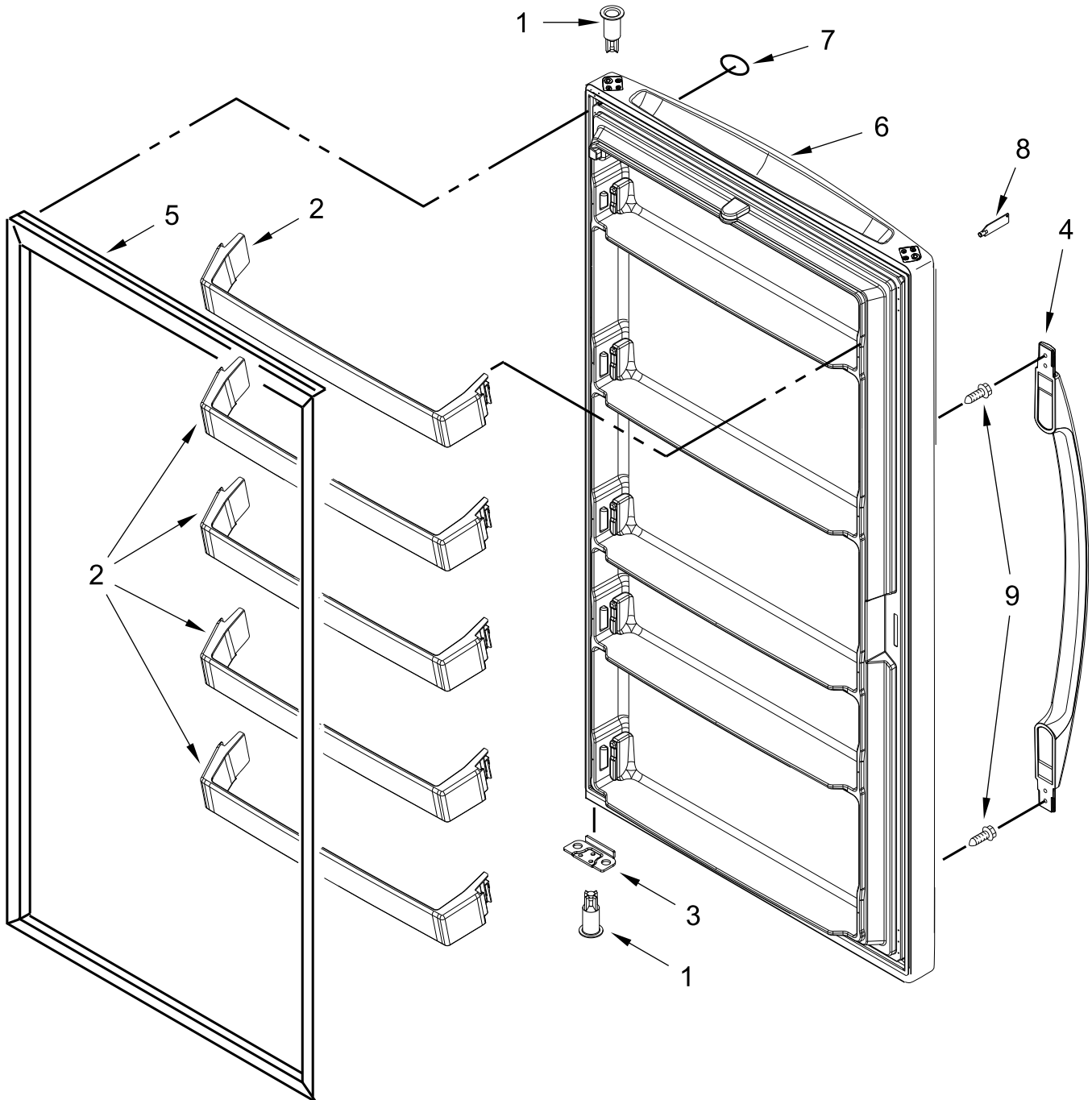
LINER PARTS

<u>Illus.</u> <u>No.</u>	<u>Part No.</u>	<u>Description</u>
1		Liner (Not A Serviceable Part)
2	W10701910	Control Assembly
3	W10384183	Thermistor, Refrigerator Compartment
4	W10608692	Cover, Thermistor
5	W10574403	Air Tower
6	W10755325	Switch, Light
7	W10565137	Lamp, LED

<u>Illus.</u> <u>No.</u>	<u>Part No.</u>	<u>Description</u>
8	W10569269	Lens, Control Box
9	1-60123-001	Cover, Ice maker Hole
10	W10569280	Wire Shelf, Deep
11	W10569281	Wire Shelf, Shallow
12	W10581588	Trim, Door
13	W10574563	Gasket, Air Tower (Vertical)

<u>Illus.</u> <u>No.</u>	<u>Part No.</u>	<u>Description</u>
14	W10574564	Gasket, Air Tower (Horizontal)
		FOLLOWING PARTS NOT ILLUSTRATED
		ICE MAKER FIELD INSTALLABLE
	2155469A	ECKMF94

DOOR PARTS



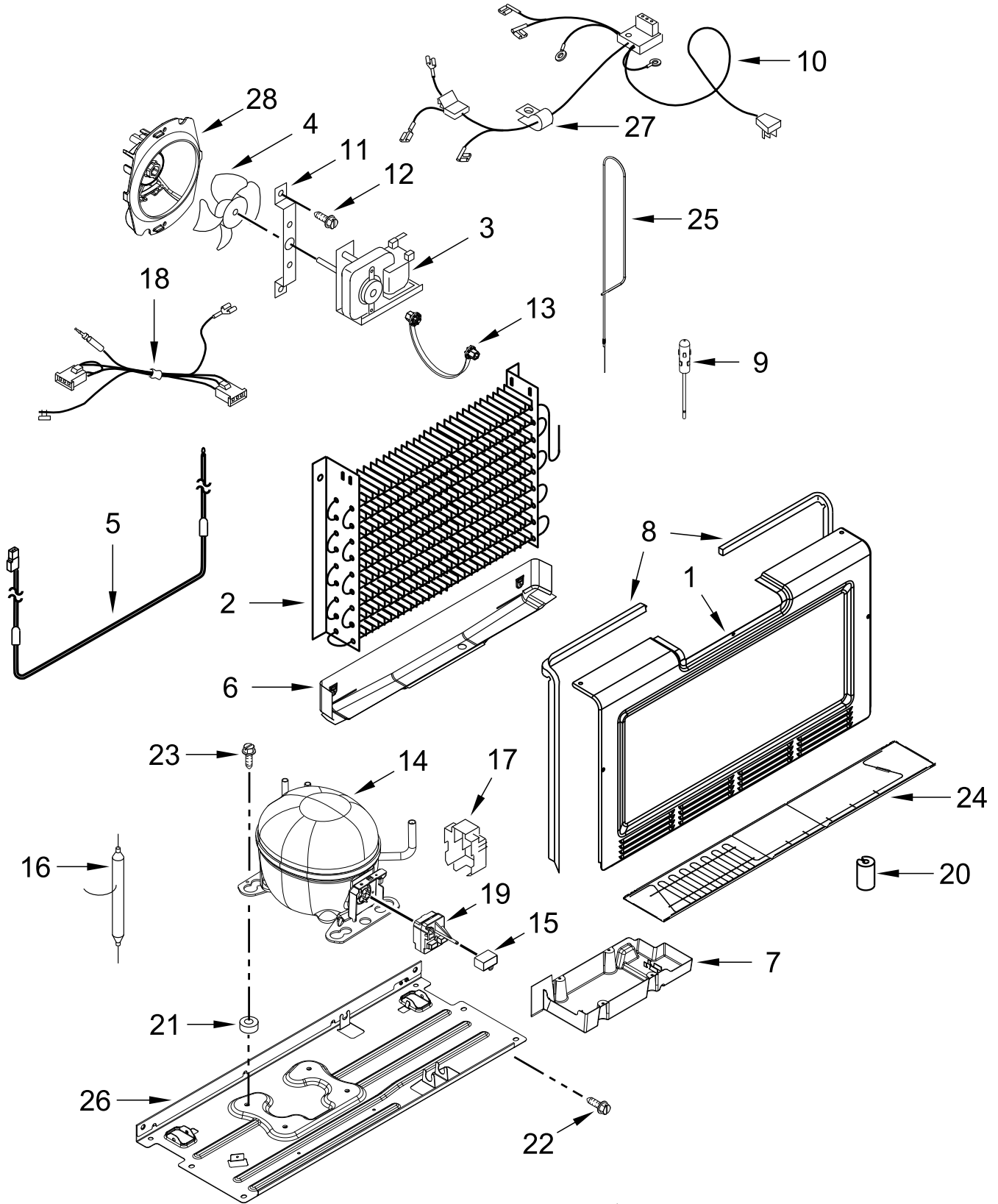
DOOR PARTS

<u>Illus.</u> <u>No.</u>	<u>Part No.</u>	<u>Description</u>
1	2314293	Thimble
2	W10737497	Rail, Door Shelf
3	W10628869	Bracket, Door Stop
4		Handle, Door
	W10612702	White

<u>Illus.</u> <u>No.</u>	<u>Part No.</u>	<u>Description</u>
5		Gasket, Door
	W10733691	White
6		Door Assembly (Includes Lock)
	W10574702	White

<u>Illus.</u> <u>No.</u>	<u>Part No.</u>	<u>Description</u>
7		Nameplate
	W10481434	White
8	2-80060-106	Key
9	W10460893	Screw

UNIT PARTS



UNIT PARTS

<u>Illus.</u> <u>No.</u>	<u>Part No.</u>	<u>Description</u>	<u>Illus.</u> <u>No.</u>	<u>Part No.</u>	<u>Description</u>	<u>Illus.</u> <u>No.</u>	<u>Part No.</u>	<u>Description</u>
1	W10574307	Cover, Evaporator	11	13058002	Clip, Evaporator Motor	21	2183042	Grommet
2	W10574283	Evaporator	12	3-80732-014	Screw	22	W10142287	Bolt
3	W10359880	Fan Motor	13	W10150583	Grommet, Fan Motor	23	489473	Screw
4	2169142	Blade, Fan	14	W10665797	Compressor	24	W10682880	Condenser
5	W10316428	Heater, Defrost	15	W10350564	Capacitor	25	W10574281	Exchanger, Heat
6	W10314195	Shield, Heat	16	W10709968	Drier	26	W10574278	Pan, Compressor
7	W10574291	Drain Pan, Evaporator	17	W10574450	Shield, Capacitor	27	549193	Clamp, Power Cord
8	W10574305	Gasket, Evaporator Cover	18	W10693200	Harness, Evaporator Fan	28	W10574469	Shroud, Evaporator Fan
9	W10383615	Thermistor, Freezer Evaporator	19	W10330834	Device, Start			REFRIGERANT CHARGE 3.5 oz (R-134)
10	W10675446	Wire Harness (Includes Power Cord)	20	2319835	Grommet, Condenser			

OPTIONAL PARTS (NOT INCLUDED)

PAIN T, PRESSURIZED SPRAY (12 OZ.)

<u>Illus. No.</u>	<u>Part No.</u>	<u>Description</u>
	350942	White Primer
	350939	Enamel, Black
	350930	White
	8171357	Graphite

PAIN T, TOUCH-UP (1/2OZ.)

<u>Illus. No.</u>	<u>Part No.</u>	<u>Description</u>
	72017	White
	72032	Black
	80051	Graphite
	W10134625	Apollo Grey

PAIN T, BULK (1 QT.)

<u>Illus. No.</u>	<u>Part No.</u>	<u>Description</u>
	799344	White
	8171358	Graphite

MISCELLANEOUS

<u>Illus. No.</u>	<u>Part No.</u>	<u>Description</u>
	212643	Sealer, Gum (4 Feet)
	479502	Tape, Vinyl (3/4 x 108")
	505587	Sealer, Mastic (1 Qt)
	503695	Cork, Sealer
	542638	Grease, Silicone (1/2 Oz.)
	542639	Cement, Alumilastic (1 1/4 Oz.)
	833938	Kit, Terminal Connector

TORX SCREW WRENCH

<u>Illus. No.</u>	<u>Part No.</u>	<u>Description</u>
	1117510	Torx Key