
INSTALLATION INSTRUCTIONS UNDERCOUNTER DISHWASHER

INSTRUCTIONS D'INSTALLATION LAVE-VAISSELLE SOUS PLAN DE TRAVAIL

Table of Contents.....	2
Table des matières.....	19

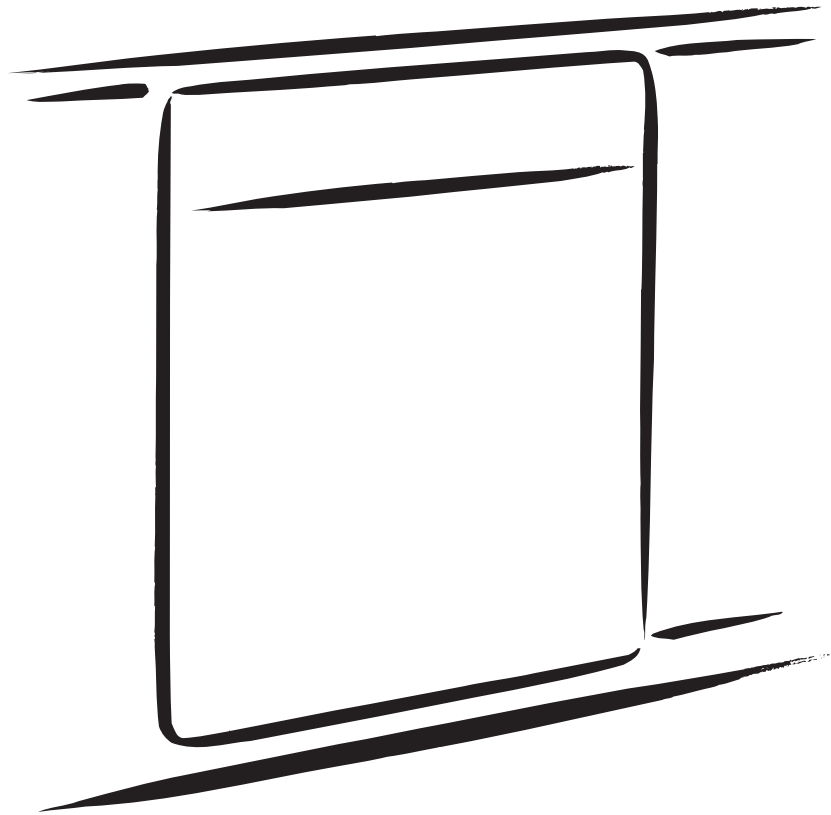


TABLE OF CONTENTS

DISHWASHER SAFETY	2	INSTALLATION INSTRUCTIONS	6
INSTALLATION REQUIREMENTS	3	Prepare cabinet opening using existing utility hookups.....	6
Tools and Parts	3	Prepare cabinet opening where there are	
Location Requirements	3	no existing utility hookups.....	7
Drain Requirements	5	Prepare Dishwasher	9
Water Supply Requirements.....	5	Make Electrical Connection	12
Electrical Requirements	5	Connect to water supply	13
		Connect to drain.....	13
		Secure dishwasher in cabinet opening.....	14

DISHWASHER SAFETY

Your safety and the safety of others are very important.

We have provided many important safety messages in this manual and on your appliance. Always read and obey all safety messages.



This is the safety alert symbol.

This symbol alerts you to potential hazards that can kill or hurt you and others.

All safety messages will follow the safety alert symbol and either the word "DANGER" or "WARNING."

These words mean:

⚠ DANGER

You can be killed or seriously injured if you don't immediately follow instructions.

⚠ WARNING

You can be killed or seriously injured if you don't follow instructions.

All safety messages will tell you what the potential hazard is, tell you how to reduce the chance of injury, and tell you what can happen if the instructions are not followed.

⚠ WARNING



Tip Over Hazard

Do not use dishwasher until completely installed.

Do not push down on open door.

Doing so can result in serious injury or cuts.

You need to:

- Slowly open dishwasher door while someone grasps the rear of the dishwasher. Remove shipping materials, drain hose and lower rack. Close dishwasher door until latched.
- Observe all governing codes and ordinances.
- Install this dishwasher as specified in these instructions.
- Installation should be performed by a qualified service technician. The dishwasher must be installed to meet all electrical and plumbing national and local codes and ordinances.

INSTALLATION REQUIREMENTS

Tools and Parts

Gather the required tools and parts before starting installation.

All installations

Tools needed:

- Pliers
- Phillips screwdriver
- 5/16" y 1/4" nut drivers or hex sockets
- Measuring tape or ruler
- 10" adjustable wrench that opens to 1 1/8" (2.9 cm)
- Flat-blade screwdriver
- Utility knife
- 2 twist-on wire connectors which are the proper size to connect your household wiring to 16-gauge wiring in dishwasher

- Small level
- Flashlight
- Shallow pan
- 5/8" open-end wrench
- Bath towel
- Wood block

Parts needed:

- Shims (if installed with built-up floor)
- 3/8" Compr x 3/4" hose fitting. (Part Number W10273460A)

In addition, for new installations

Tools needed:

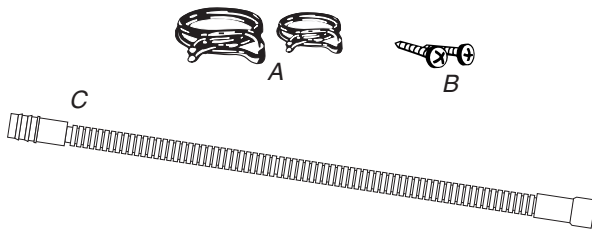
- Cordless drill with 1/2", 3/4" y 1 1/2" hole saw bits
- Small tubing cutter
- Wire stripper
- 1 1/2" to 2" screw-type clamp is connecting to waste-tee

Parts needed:

- Copper tubing (3/8" recommended) or flexible stainless steel braided fill line
- Clamp connector or conduit connector to fit a 7/8" (2.2 cm) diameter hole

Parts supplied

- A. 2 - drain hose clamps, 1 large and 1 small
- B. 2 - # 10 x 1/2" Phillips-head screws
- C. Drain hose



For part or kit, see local retailer or call Whirlpool Parts: 1-800-442-8991.

Location Requirements

Do not run drain lines, water lines or electrical wiring where they can interfere with or contact dishwasher motor or legs.

The location where the dishwasher will be installed must provide clearance between motor and flooring. Motor should not touch the floor.

Do not install dishwasher over carpeted flooring.

Shelter dishwasher and water lines leading to dishwasher against freezing. Damage from freezing is not covered by the warranty.

A side panel kit is available from your dealer for installing your dishwasher at the end of your cabinetry.

A moisture barrier accessory (Part Number 4396277) is available from your dealer for installing underneath the countertop.

Check location where dishwasher will be installed. The location must provide:

- easy access to water, electricity and drain.
- convenient access for loading and unloading dishes. Corner locations require a 2" (5.1 cm) minimum clearance between the side of the dishwasher door and the wall or cabinet.
- square opening for proper operation and appearance.
- cabinet front perpendicular to floor.
- level floor. (If floor at front of opening is not level with floor at rear of opening, shims may be needed to level dishwasher.)

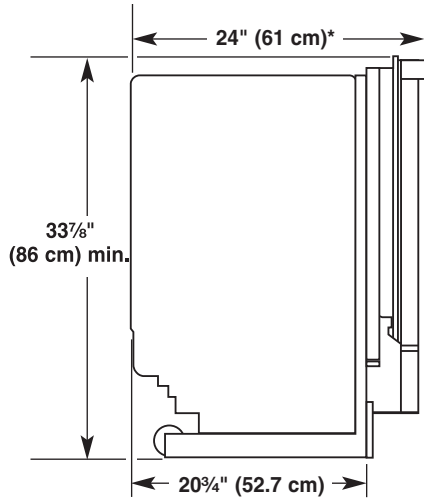
NOTE: To avoid shifting during dishwasher operation, shims must be securely attached to the floor.

If dishwasher will be left unused for a period of time or in a location where it may be subject to freezing, have it winterized by authorized service personnel.

Make sure pipes, wires and drain hose are within the shaded area shown in the "Cutout dimensions" section.

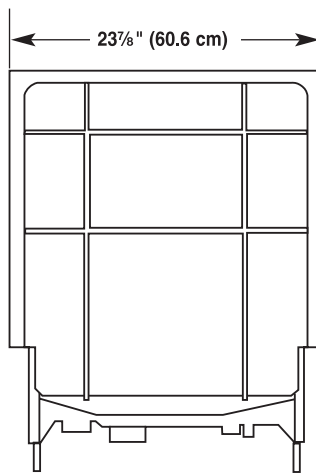
Helpful Tip: If the floor in the dishwasher opening is uneven (example: tile flooring only partway into opening), you will need to be exact in measuring dimensions and in leveling dishwasher.

Product dimensions



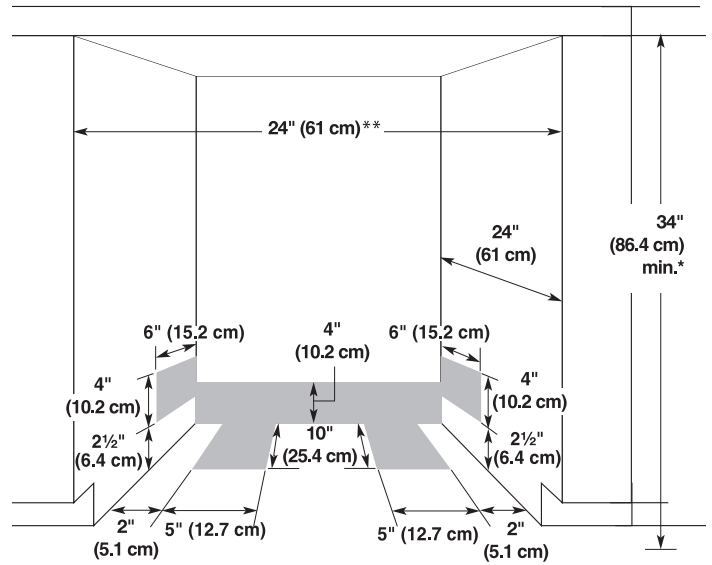
*To front of door frame

SIDE VIEW



REAR VIEW

Cutout dimensions



Cut holes in shaded area of cabinet walls or floor as specified below:

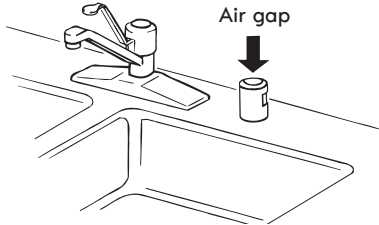
- water line – 1/2" (1.3 cm)
- drain line – 1 1/2" (3.8 cm)
- direct wire – 3/4" (1.9 cm)
- power supply cord – 1 1/2" (3.8 cm)

*Measured from the lowest point on the underside of countertop.

**Minimum, measured from narrowest point of opening.

Drain Requirements

- Use the new drain hose supplied with your dishwasher. If this is not long enough, use a new drain hose with a maximum length of 12 ft (3.7 m) that meets all current AHAM/IAPMO test standards, is resistant to heat and detergent, and fits the 1"
- Connect drain hose to waste tee or disposer inlet above drain trap in house plumbing and 20" (50.8 cm) minimum above the floor. It is recommended that the drain hose either be looped up and securely fastened to the underside of the counter, or be connected to an air gap.



- Use an air gap if the drain hose is connected to house plumbing lower than 20" (50.8 cm) above subfloor or floor.
- Use 1/2" minimum I.D. drain line fittings.

Water Supply Requirements

- A hot water line with 20 to 120 psi (138 to 862 kPa) water pressure.
- 120°F (49°C) water at dishwasher.
- 3/8" O.D. copper tubing with compression fitting or flexible braided fill line (1/2" minimum plastic tubing is not recommended).
- 3/8" Compr x 3/4" hose fitting.

Do not solder within 6" (15.2 cm) of water inlet valve.

Electrical Requirements

Contact a qualified electrician.

Assure that the electrical installation is adequate and in conformance with all national and local codes and ordinances.

You must have:

- 120-volt, 60 Hz, AC-only, 15- or 20-amp, fused electrical supply.
- Copper wire only.

We recommend:

- A time-delay fuse or circuit breaker.
- A separate circuit.

If direct wiring dishwasher:

- Use flexible, armored or nonmetallic sheathed, copper wire with grounding wire that meets the wiring requirements for your home and local codes and ordinances.
- Use strain relief method provided with house wiring junction box or install a UL Listed/CSA Approved clamp connector to the house wiring junction box. If using conduit, use a UL Listed/CSA Approved strain relief.

If connecting dishwasher with a power supply cord:

- Use Power Supply Cord Kit (Part Number 4317824) marked for use with dishwashers. Kit contents include:
 - Volex, Inc., UL Listed 16 gauge 3 wire power supply cord with 3 prong grounded plug.
 - Neer C-500 7/8" strain relief.
 - 3 wire connectors.
 - Part Number 302797 grommet

Follow the kit instructions for installing the power supply cord.

- Power supply cord must plug into a mating 3 prong, grounded outlet, located in the cabinet next to the dishwasher opening. Outlet must meet all local codes and ordinances.

INSTALLATION INSTRUCTIONS

⚠ WARNING



Electrical Shock Hazard

Disconnect electrical power at the fuse box or circuit breaker box before installing dishwasher.

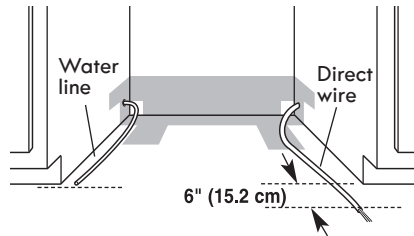
Failure to do so can result in death or electrical shock.

1. Disconnect power.
2. Turn off water supply.

Prepare cabinet opening using existing utility hookups

- Follow the steps in this section if you are installing the dishwasher in an existing cabinet opening with utility hookups.
- If you are installing the dishwasher in a cabinet opening that does not have hookups, follow the steps under “Prepare cabinet opening where there are no existing utility hookups” section.

1. Check that the water line reaches to the front left of opening where the water connection will be made.
2. Check that the direct wire reaches to the front right of opening where the electrical connection will be made.

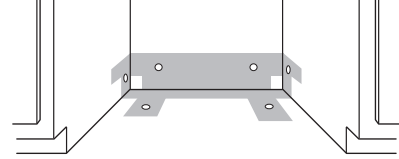


If the water line and the direct wire reach far enough into the opening, proceed to the next section “Install the drain hose.” If they do not reach far enough, follow the steps under “Prepare cabinet opening where there are no existing utility hookups.”

Install the drain hose

IMPORTANT: Always use a new drain hose when installing a new replacement dishwasher.

1. Drill a 1½" (3.8 cm) diameter hole in cabinet wall or floor on the side of the opening closest to the sink.



2. Connect drain hose to waste tee or waste disposer using one of the following methods:
 - Option 1, Waste disposer – with air gap
 - Option 2, No waste disposer – with air gap
 - Option 3, Waste disposer – no air gap*
 - Option 4, No waste disposer – no air gap*

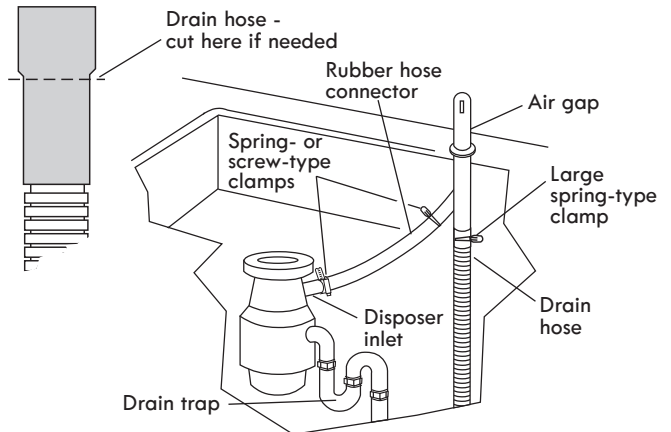
*An air gap is recommended.

Helpful Tip: To reduce the vibration of the hose, keep the hose away from the floor and the edge of the hole where it passes through the cabinet.

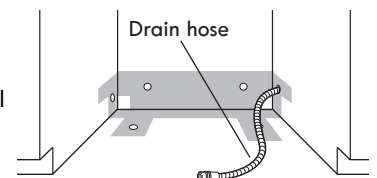
Option 1, Waste disposer - with air gap:

1. Remove the disposer knockout plug. Cut end of drain hose if needed (do not cut ribbed section).
2. Attach drain hose to air gap with large spring-type clamp. If the drain hose was cut, use a 1½" to 2" (3.8 to 5 cm) screw-type clamp*.
3. Use a rubber hose connector* with spring- or screw-type clamps* to connect air gap to disposer inlet.

This connection must be before the drain trap and at least 20" (50.8 cm) above the floor where dishwasher will be installed.



4. Insert drain hose through hole cut in cabinet to the front center of opening where drain connection will be made.

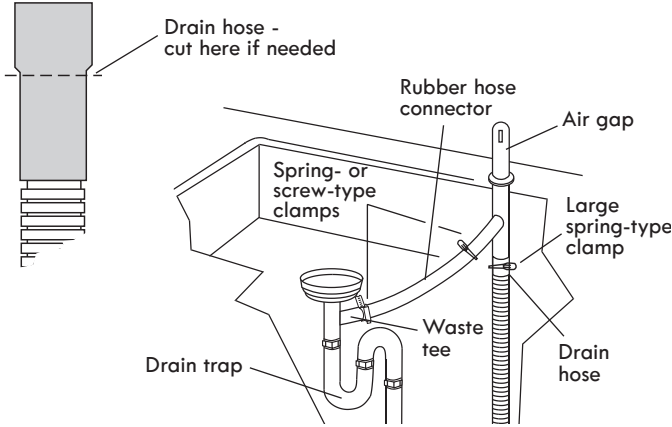


*Parts available from local plumbing supply stores.

Option 2, No waste disposer - with air gap:

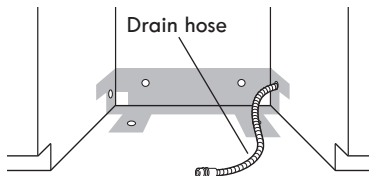
1. Cut end of drain hose if needed (do not cut ribbed section).
2. Attach drain hose to air gap with large spring-type clamp. If the drain hose was cut, use a 1½" to 2" (3.8 to 5 cm) screw-type clamp*.
3. Use a rubber hose connector* with spring- or screw-type clamps* to connect air gap to waste tee.

This connection must be before the drain trap and at least 20" (50.8 cm) above the floor where dishwasher will be installed.



4. Insert drain hose through hole cut in cabinet to the front center of opening where drain connection will be made.

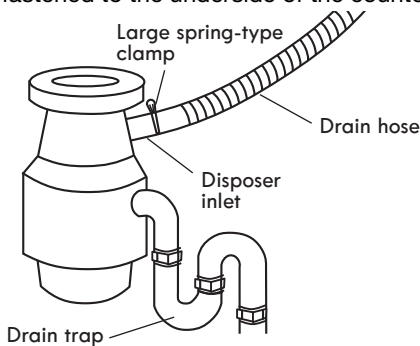
*Parts available from local plumbing supply stores.



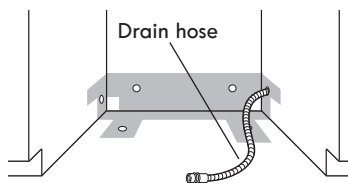
Option 3, Waste disposer - no air gap:

1. Remove the disposer knockout plug. Do not cut end of drain hose.
2. Attach drain hose to disposer inlet with large spring-type clamp.

This connection must be before the drain trap and at least 20" (50.8 cm) above the floor where dishwasher will be installed. It is recommended that the drain hose be looped up and securely fastened to the underside of the counter.



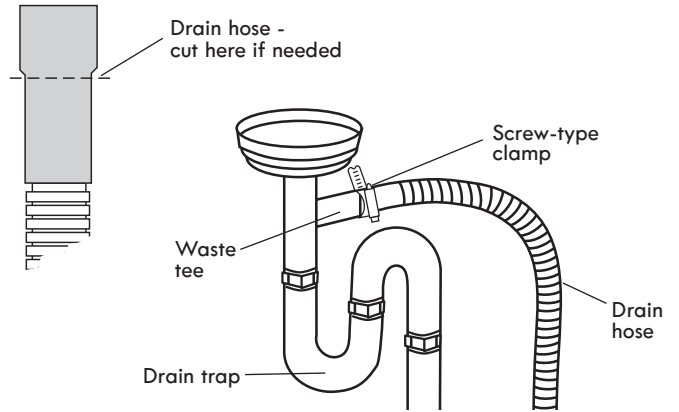
3. Insert drain hose through hole cut in cabinet to the front center of opening where drain connection will be made.



Option 4, No waste disposer - no air gap:

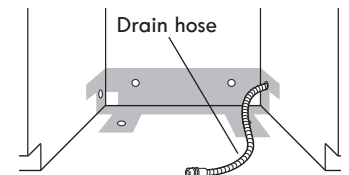
1. Cut end of drain hose if needed (do not cut ribbed section).
2. Attach drain hose to waste tee with 1½" to 2" (3.8 to 5 cm) screw-type clamp*.

This connection must be before the drain trap and at least 20" (50.8 cm) above the floor where dishwasher will be installed. It is recommended that the drain hose be looped up and securely fastened to the underside of the counter.



3. Insert drain hose through hole cut in cabinet to the front center of opening where drain connection will be made.

*Parts available from local plumbing supply stores.



Prepare cabinet opening where there are no existing utility hookups

Electrical connection

Option 1, Direct wire method:

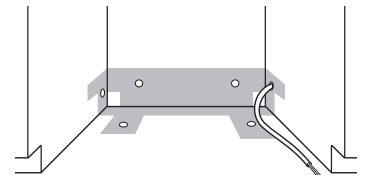
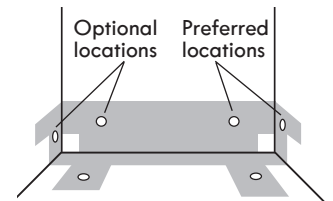
Helpful Tip: Wiring the dishwasher will be easier if you route wire into the cabinet opening from the right side.

1. Drill a ¾" (1.9 cm) hole in right-hand cabinet side, rear or floor. Preferred and optional locations are shown.
2. Wood cabinet: Sand the hole until smooth.

Metal cabinet: Cover hole with grommet, (Part Number 302797 - not provided).

3. Run wire into house wiring junction box.
4. Install a UL Listed/CSA Approved clamp connector (strain relief) for flexible-type wire. If installing conduit, attach a UL Listed/CSA Approved strain relief to the junction box.

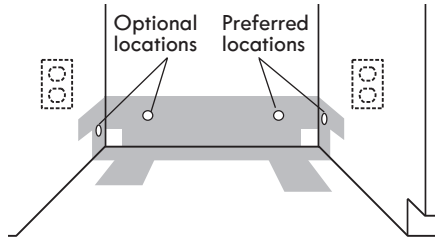
5. Run other end of wire through cabinet hole. Cable must extend to the right front of cabinet opening.



Option 2, Power supply cord method:

NOTE: A mating, 3 prong, ground-type wall receptacle is required in a cabinet next to the dishwasher opening.

1. Drill a 1½" (3.8 cm) hole in the cabinet rear or side. Preferred and optional locations are shown.
2. Wood cabinet: Sand the hole until smooth.

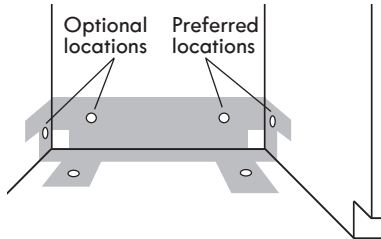


Metal cabinet: Cover hole with grommet (Part Number 302797) included with power supply cord kit.

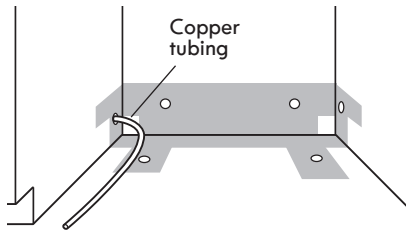
Install the water line

Helpful Tip: Routing the water line through the left side of cabinet opening will make water connection easier.

1. Drill a minimum ½" (1.3 cm) hole in the cabinet side, rear or floor. Preferred and optional locations are shown.



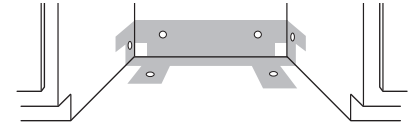
2. Measure overall length of copper tubing required.
3. Attach copper tubing to the water line with a manual shutoff valve.
4. Slowly feed copper tubing through hole in cabinet. Copper tubing will bend and kink easily, so be gentle. The copper tubing should be far enough into the cabinet opening to connect it to dishwasher inlet on the front left of the dishwasher.
5. Turn water shutoff valve to "ON" position. Flush water into a shallow pan to get rid of particles that may clog the inlet valve.
6. Turn shutoff valve to "OFF" position.



Install the drain hose

IMPORTANT: Always use a new drain hose.

1. Drill a 1½" (3.8 cm) diameter hole in cabinet wall or floor on the side of the opening closest to the sink.
2. Connect drain hose to waste tee or waste disposer using one of the following methods:
 - Option 1, Waste disposer – with air gap
 - Option 2, No waste disposer – with air gap
 - Option 3, Waste disposer – no air gap*
 - Option 4, No waste disposer – no air gap*



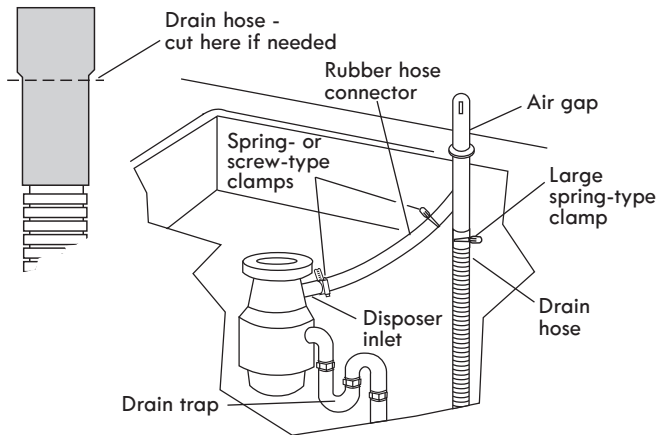
*An air gap is recommended.

Helpful Tip: To reduce the vibration of the hose, keep the hose away from the floor and the edge of the hole where it passes through the cabinet.

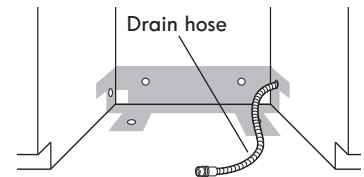
Option 1, Waste disposer - with air gap:

1. Remove the disposer knockout plug. Cut end of drain hose if needed (do not cut ribbed section).
2. Attach drain hose to air gap with large spring-type clamp. If the drain hose was cut, use a 1½" to 2" (3.8 to 5 cm) screw-type clamp*.
3. Use a rubber hose connector* with spring- or screw-type clamps* to connect air gap to disposer inlet.

This connection must be before the drain trap and at least 20" (50.8 cm) above the floor where dishwasher will be installed.



4. Insert drain hose through hole cut in cabinet to the front center of opening where drain connection will be made.

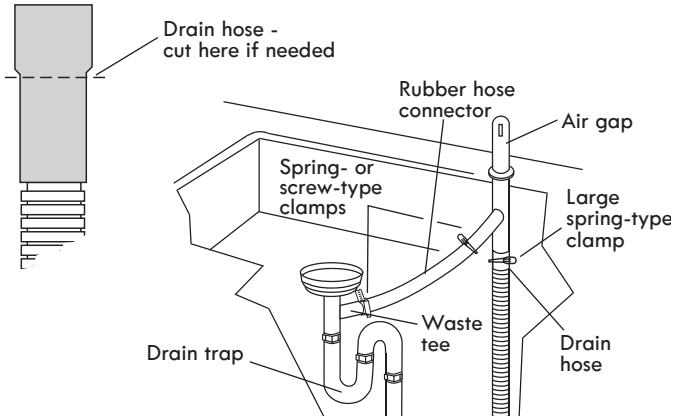


*Parts available from local plumbing supply stores.

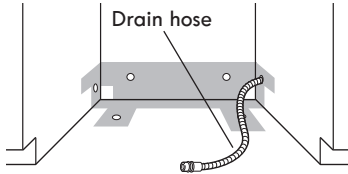
Option 2, No waste disposer - with air gap:

1. Cut end of drain hose if needed (do not cut ribbed section).
2. Attach drain hose to air gap with large spring-type clamp. If the drain hose was cut, use a 1½" to 2" (3.8 to 5 cm) screw-type clamp*.
3. Use a rubber hose connector* with spring- or screw-type clamps* to connect air gap to waste tee.

This connection must be before the drain trap and at least 20" (50.8 cm) above the floor where dishwasher will be installed.



4. Insert drain hose through hole cut in cabinet to the front center of opening where drain connection will be made.

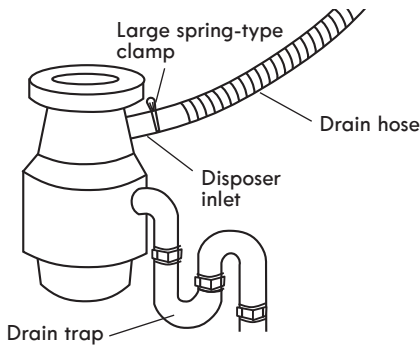


*Parts available from local plumbing supply stores.

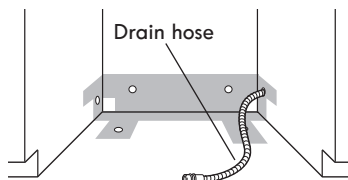
Option 3, Waste disposer - no air gap:

1. Remove the disposer knockout plug. Do not cut end of drain hose.
2. Attach drain hose to disposer inlet with large spring-type clamp.

This connection must be before the drain trap and at least 20" (50.8 cm) above the floor where dishwasher will be installed. It is recommended that the drain hose be looped up and securely fastened to the underside of the counter.



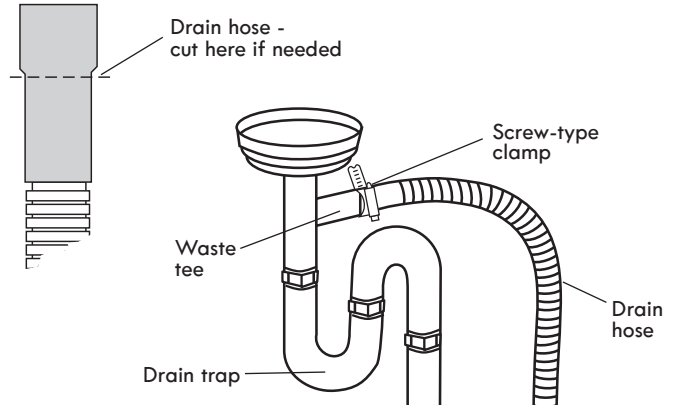
3. Insert drain hose through hole cut in cabinet to the front center of opening where drain connection will be made.



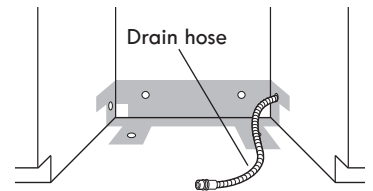
Option 4, No waste disposer - no air gap:

1. Cut end of drain hose if needed (do not cut ribbed section).
2. Attach drain hose to waste tee with 1½" to 2" (3.8 to 5 cm) screw-type clamp*.

This connection must be before the drain trap and at least 20" (50.8 cm) above the floor where dishwasher will be installed. It is recommended that the drain hose be looped up and securely fastened to the underside of the counter.



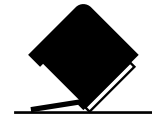
3. Insert drain hose through hole cut in cabinet to the front center of opening where drain connection will be made.



*Parts available from local plumbing supply stores.

Prepare Dishwasher

⚠ WARNING



Tip Over Hazard

Do not use dishwasher until completely installed.
Do not push down on open door.
Doing so can result in serious injury or cuts.

⚠ WARNING

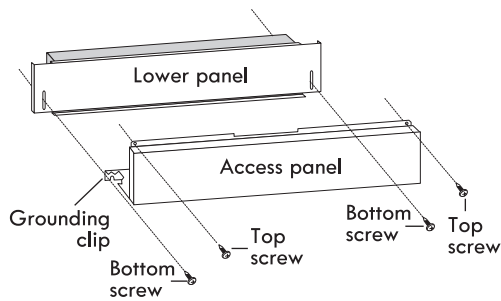
Excessive Weight Hazard

Use two or more people to move and install dishwasher.
Failure to do so can result in back or other injury.

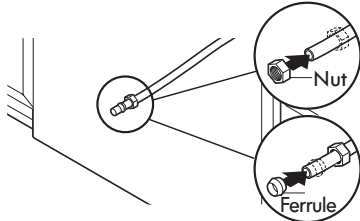
Helpful Tip: Put cardboard under dishwasher until it is installed in cabinet opening. The cardboard will help avoid damage to floor covering during installation.

1. Using 2 or more people, grasp the sides of dishwasher door frame and put the dishwasher on its back, resting on top of the corner posts.
2. Remove the 2 top screws and the 2 bottom screws attaching access panel and lower panel to dishwasher using a ¼" hex socket, nut driver or Phillips screwdriver.
3. Remove panels and set panels aside on a covered surface.

4. Check that grounding clip is attached to the lower panel.



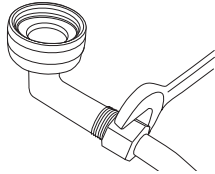
5. Slide nut and ferrule onto tubing.



Copper tubing only: Slide nut, then ferrule, about 1" (2.5 cm) onto copper tubing.

NOTE: To avoid vibration during operation, route the water supply line so that it does not touch the dishwasher base, frame or motor.

6. Add 90° elbow fitting to the water supply line.



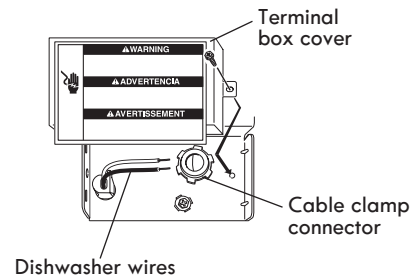
Connect the 3/8" compression fitting to the water supply line prior to installing the unit into the cabinet opening. Attach such that the 3/4" connection is facing upward.

Copper tubing only: Put the tubing into the 90° elbow fitting as far as it will go (the copper tubing bends and kinks easily). Slide the nut and ferrule forward and start the nut onto the elbow threads. Flexible braided connection: Secure nut to elbow using 9/16" open ended wrench or adjustable wrench.

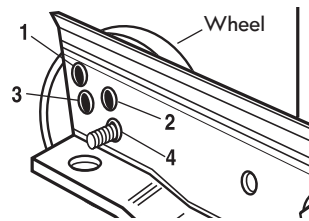
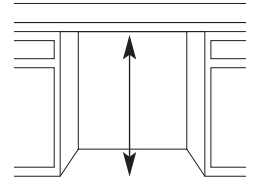
NOTE: Do not use Teflon® tape with compression fittings.

7. Remove terminal box cover.

- If you are direct wiring: Install a UL Listed/CSA Approved clamp connector to the terminal box. If using conduit, use a UL Listed/CSA Approved strain relief.
- If you are installing a power supply cord kit, do so now, following kit instructions. The power supply cord kit must be UL Listed and marked for use with dishwashers (that is, Power Supply Cord Kit Part Number 4317824).



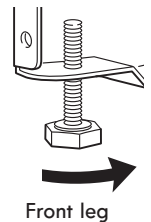
8. Measure height of cabinet opening from underside of countertop to floor where dishwasher will be installed (you need the lowest point). Check chart for that height opening. Put wheels in the required position.



Minimum cutout height	Wheel position
34" (86.4 cm)	1
34 1/8" (86.7 cm)	2
34 5/16" (87.2 cm)	3
34 1/2" (87.6 cm)	4

9. Turn both front leveler legs to the same height.

If the minimum cutout height is less than 34" (86.4 cm), the rear wheels can be removed for additional clearance. This will allow the dishwasher to fit into a 33 7/8" (86 cm) high cutout, but the dishwasher will be more difficult to move into position. If the wheels are removed, cover the floor when moving the dishwasher.



! WARNING

Excessive Weight Hazard

Use two or more people to move and install dishwasher.

Failure to do so can result in back or other injury.

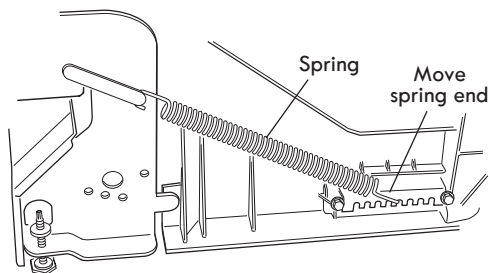
10. Using 2 or more people, stand the dishwasher up.

NOTE: Do not attach the dishwasher. This will be done later.

Check door spring tension

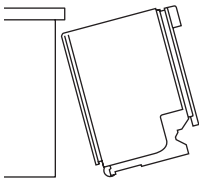
With another person holding the dishwasher to keep it from tipping, open and close the door a few times. If the door closes or falls open under its own weight, the door tension will need to be adjusted.

- If the door closes too quickly, decrease the spring tension by moving the spring end toward the front of the dishwasher.
- If the door falls open, increase the spring tension by moving the spring end toward the back of the dishwasher.
- Springs should be in the same notches on left and right sides.



Move dishwasher into cabinet opening

1. Using two or more people, stand the dishwasher up.
2. Grasp the sides of the dishwasher at the edges of the door panel.
3. Tilt dishwasher backward on wheels and move dishwasher close to cabinet opening. Do not push on the front of the panel or on the console — they may dent.
4. If dishwasher has a power supply cord, insert power supply cord into hole cut into cabinet. If using direct wire, check that it is on the right front side of opening.
5. Check that water line is on the left side of opening and drain hose is near the center of the hole in the cabinet.
6. Slowly move dishwasher completely into cabinet opening. Do not kink or pinch copper tubing, drain hose, power supply cord or direct wire between dishwasher and cabinet.



Helpful Tip: Once the dishwasher is in position, you may have to support the front of the dishwasher by raising, lowering or shimming front feet.

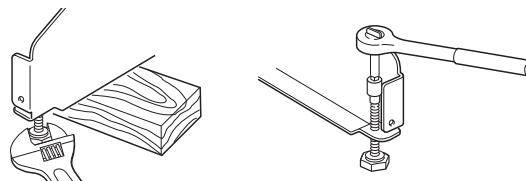
7. Remove cardboard from under dishwasher.
8. Using the precut slots in the insulation, attach the insulation to the sides of the tub using the molded hooks on each side of the tub.

NOTE: It is all right if dishwasher fits tightly into cabinet opening. Do not remove insulation blanket — the blanket reduces the sound level.

Level the dishwasher

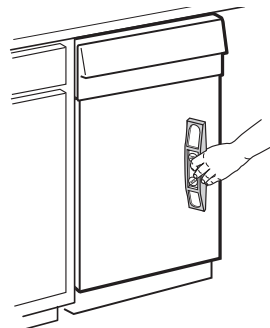
1. Align front of dishwasher door panel with cabinet doors. You may need to adjust alignment to be even with your cabinets.

Helpful Tip: Prop up one side of frame to hold dishwasher up off floor when adjusting front legs.



With some installations, it may be easier to adjust the front leg using the $\frac{3}{16}$ " hex head.

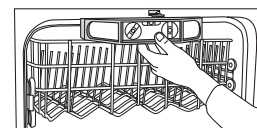
2. Check that leveling legs are firmly against the floor.
3. Close and latch the door. Place the level against the front of the dishwasher to check that it is vertically aligned. If needed, adjust leveling leg or add shims under rear wheel until dishwasher is even.



4. Repeat for other side of dishwasher.

NOTE: Shims must be securely attached to floor to prohibit their movement when the dishwasher is operated.

5. Place level against top front opening of tub. Check that dishwasher is level from side to side. If dishwasher is not level, adjust front legs up or down until dishwasher is level.



Make Electrical Connection

Check “Electrical Requirements” section.

You need to:

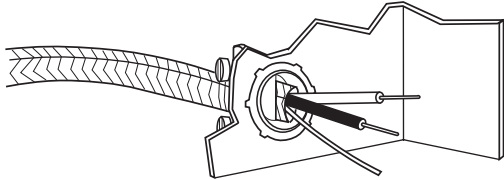
- have the correct electrical supply and recommended grounding method.

If you are:

- direct wiring, use Option 1
- using a power supply cord, use Option 2

Option 1, Direct wire method

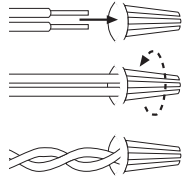
1. Route direct wire so that it does not touch dishwasher motor or lower part of dishwasher tub.



2. Pull direct wire through hole in terminal box.

Helpful Tip:

- Select the proper size twist-on connectors to connect your household wiring to 16-gauge dishwasher wiring.
- Insert wire ends into twist-on connector. Do not pre-twist bare wire.
- Twist connector.
- Gently tug on wires to be sure both are secured.



3. Connect the wires as follows using twist-on connectors sized to connect direct wire to 16-gauge dishwasher wire:

Power supply wire:	Terminal box wire:
white	↔ white
black	↔ black
ground wire	↔ green ground connector

⚠ WARNING



Electrical Shock Hazard

Electrically ground dishwasher.

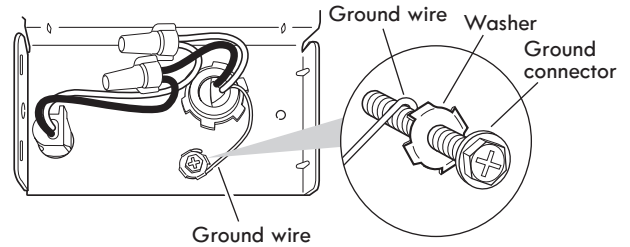
Connect ground wire to green ground connector in terminal box.

Do not use an extension cord.

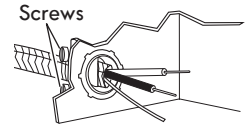
Failure to follow these instructions can result in death, fire, or electrical shock.

4. Form bare ground wire into a U-shaped hook. Wrap ground wire hook clockwise around ground connector and under the washer.

5. Securely tighten ground connector.

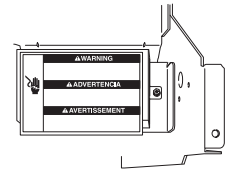


6. Tighten clamp connector or conduit connector screws.



7. Reinstall terminal box cover with wires inside terminal box.

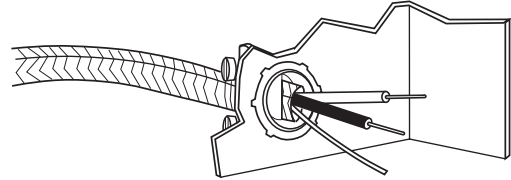
The cover must be outside the box on the left side.



8. Make sure no wires are pinched by cover.

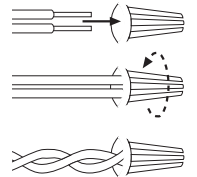
Option 2, Power supply cord method

1. Route the power supply cord so that it does not touch dishwasher motor or lower part of dishwasher tub.
2. Pull the direct wire through hole in terminal box.



Helpful Tip:

- Select the proper size twist-on connectors to connect your household wiring to 16-gauge dishwasher wiring.
- Insert wire ends into UL Listed/CSA Approved twist-on connector. Do not pre-twist bare wire.
- Twist connector.
- Gently tug on wires to be sure both are secured.



- Connect the wires as follows using twist-on connectors sized to connect power supply cord to 16-gauge dishwasher wire:

Power supply wire:	Terminal box wire:
white	↔ white
black	↔ black
ground wire	↔ green ground connector

⚠ WARNING



Electrical Shock Hazard

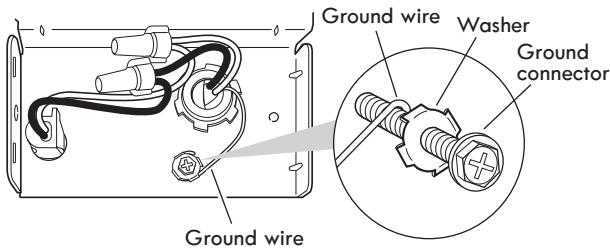
Electrically ground dishwasher.

Connect ground wire to green ground connector in terminal box.

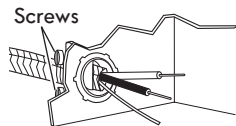
Do not use an extension cord.

Failure to follow these instructions can result in death, fire, or electrical shock.

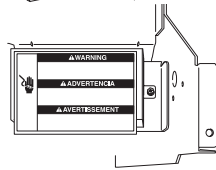
- Form bare ground wire into a U-shaped hook. Wrap ground wire hook clockwise around ground connector and under the washer.
- Securely tighten ground connector.



- Tighten clamp connector or conduit connector screws.



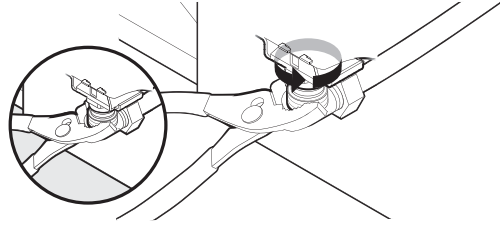
- Reinstall terminal box cover with wires inside terminal box. The cover must be outside the box on the left side.



- Make sure no wires are pinched by cover.
- Do not plug the dishwasher cord into the outlet until instructed to do so.
- Check that power supply cord does not touch dishwasher motor or lower part of dishwasher tub.

Connect to water supply

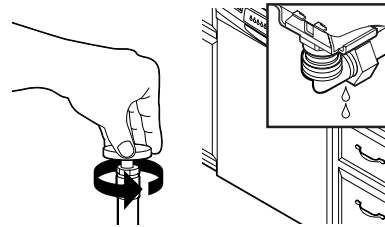
- Tighten 90° elbow fitting to valve.



Be sure rubber washer is properly seated in fitting. Slide the 3/4" fitting up to the valve and hand tighten to avoid unintentional cross-threading. Hand tighten until the coupling is tight. Using pliers, check the tightness of the coupling. An additional 1/4 to 1/2 turn may be required to seal the rubber gasket.

NOTE: Do not overtighten. Damage to the coupling can result.

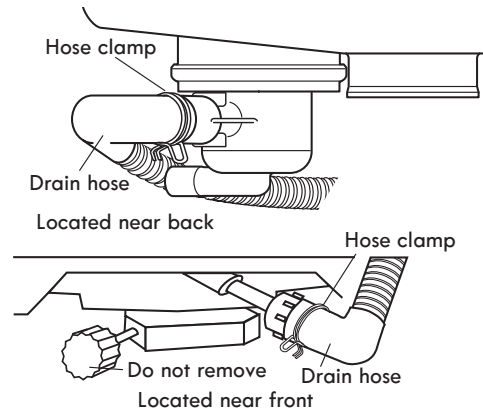
- Check for leaks.



Place paper towel under 90° elbow fitting. Turn on water supply and check for leaks. If leak occurs, repeat previous step.

Connect to drain

- To help minimize vibration, route drain hose to avoid contact with motor, door springs, water line, cabinet, flooring or the edge of the hole where it passes through the cabinet.
- Place shallow pan under end of drain hose connector. Pan will collect any water in drain hose.
- Remove the drain hose connector cap.
- Put the drain hose clamp onto the drain hose connector.



NOTE: Depending on the model, the drain connector may be located near the back or front of the dishwasher. For either location, connect the drain hose to the drain hose connector as follows:

5. Put the spring-type drain hose clamp over the drain hose connector.
6. Push the drain hose onto the drain hose connector.
7. Use pliers to open the clamp over the drain hose and drain hose connector. Push the drain hose onto connector as far as it will go.

Release the clamp. Check that the drain hose is secure.

NOTE: If a screw-type clamp is used instead of spring-type clamp, use a $\frac{5}{16}$ " nut driver to tighten the drain hose securely to the drain hose connector.

Secure dishwasher in cabinet opening

⚠ WARNING



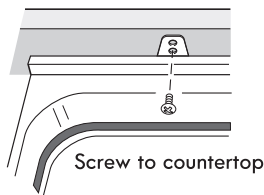
Tip Over Hazard

Do not use dishwasher until completely installed.

Do not push down on open door.

Doing so can result in serious injury or cuts.

1. If you have not already done so, open dishwasher door and place towel over pump assembly and spray arm of dishwasher. This will keep screws from falling into pump area if you unintentionally drop them when securing dishwasher to countertop.
2. Check that dishwasher is still level and centered side to side in the opening.
3. Secure dishwasher to countertop or sides of cabinet with two, #10 x $\frac{1}{2}$ " Phillips-head screws. The dishwasher must be secured to keep it from tipping when door is opened.

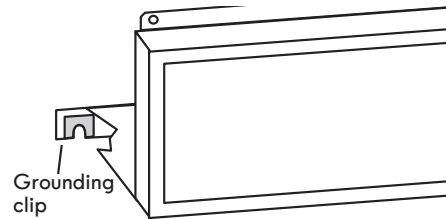


4. Open door about 3" (7.6 cm) and check that space between inner door and tub is equal on both sides. If spacing is not equal, loosen bracket screws and shift tub. Tighten bracket screws.
5. Check that top of door does not contact screws, brackets, or countertop. If it does, dishwasher must be lowered and re-leveled.
6. Remove towel from dishwasher.
7. Reinstall the lower dish rack.

Complete installation

1. Check that grounding clip is attached to the access panel.
2. Start the screws in the lower panel holes on the dishwasher. Do not tighten.

3. Place the lower panel behind the access panel.



4. Slide the lower panel over and down onto the screws.
5. Hold the 2 panels together and place them against the dishwasher leg.
6. Reattach the access panel to the dishwasher.
7. Reinstall the screws through the holes in the access panel and the slots in the lower panel. Install the right side screw first.
8. Check that the lower edge of the lower panel contacts the floor.
9. Tighten the screws.

Direct wire method:

⚠ WARNING



Electrical Shock Hazard

Electrically ground dishwasher.

Connect ground wire to green ground connector in terminal box.

Do not use an extension cord.

Failure to follow these instructions can result in death, fire, or electrical shock.

Power supply cord method:

⚠ WARNING



Electrical Shock Hazard

Plug into a grounded 3 prong outlet.

Do not remove ground prong.

Do not use an adapter.

Do not use an extension cord.

Failure to follow these instructions can result in death, fire, or electrical shock.

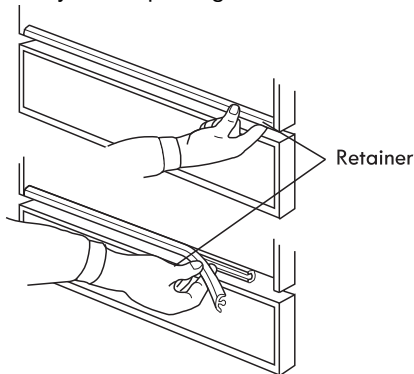
10. Reconnect power or plug in dishwasher.

To change door panel color

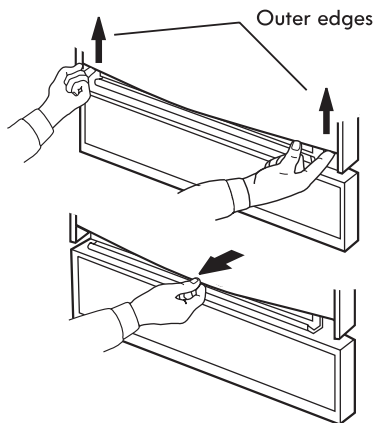
(For models so equipped.)

NOTE: If your model has a plastic door color panel, both sides of the panel are the same color.

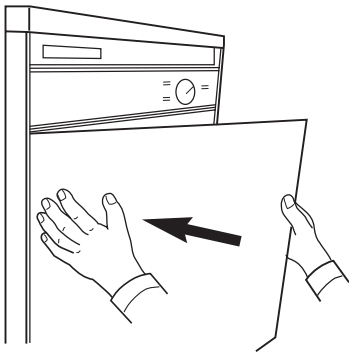
1. Handle panels gently. Insert finger under one end of retainer and pull toward you in a peeling action. Set retainer aside.



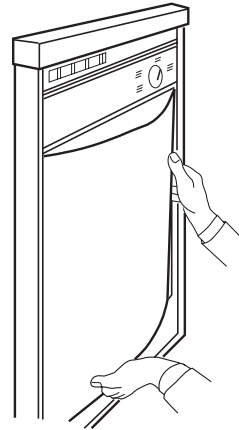
2. Lift door panel(s) at outer edges. Use one hand to bow bottom of panel(s). Remove panel(s). Do not remove spacer.



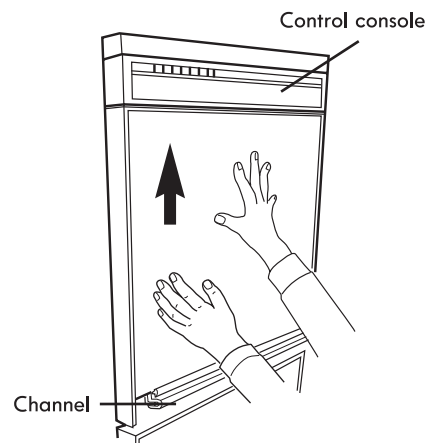
3. Insert one side of door panel(s), with desired color facing out, into one side of door frame.



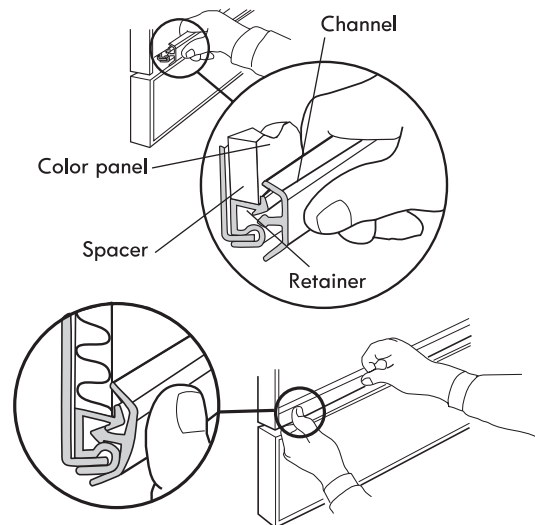
4. Bow door panel(s) and insert other side of door panel(s) into door frame.



5. Push in on door panel(s) near the top and slide panel(s) and spacer up inside bottom of control console, allowing panel(s) to rest on channel at bottom of door.

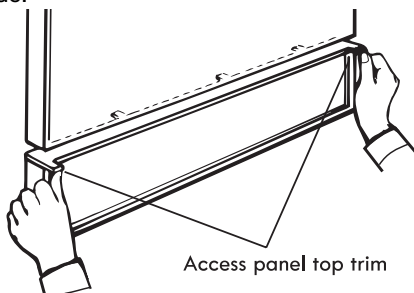


6. Snap one end of retainer into channel as shown. Push inward while sliding thumb along full length of retainer.

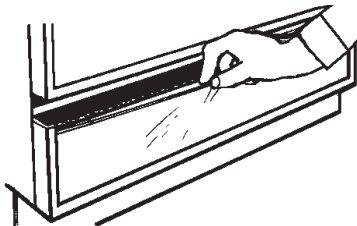


To change access panel color

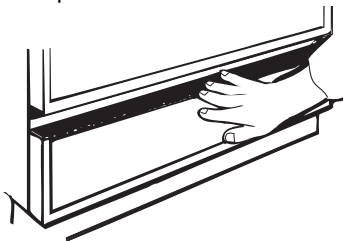
1. Handle panels gently. Push up with thumbs on each end of access panel top trim to unsnap trim. Remove top trim and set it aside.



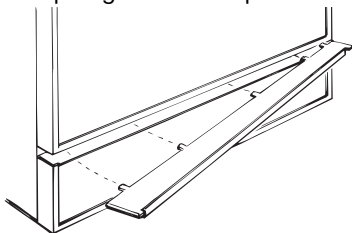
2. Slowly slide color access panel upward and remove. Do not remove spacer.



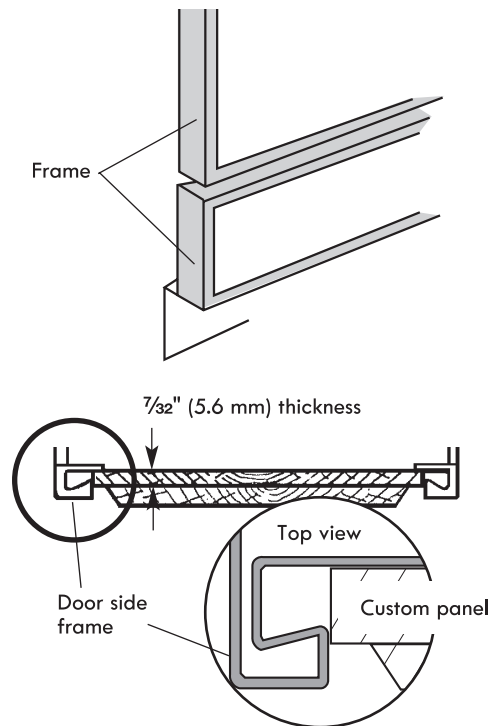
3. With desired color facing out, bow access panel and insert it into access panel frame. Slide panel down into groove along bottom of access panel frame.



4. Line up edges of top trim with sides of access panel frame. Tilt back of trim down and slide into place. Snap front of trim down to cover top edge of access panel.



Custom door and access panels



IMPORTANT: Your door panel and access panel must have a frame around the edges.

For custom door panels weighing less than 4 lbs (1.8 kg), use the door springs that came with your dishwasher. For custom door panels weighing more than 4 lbs (1.8 kg), you must use Heavy Duty Spring Kit, Part Number 4318050. Maximum door panel weight is 8 lbs (3.6 kg).

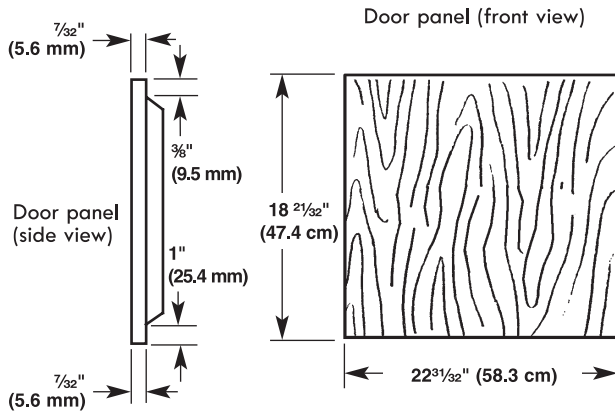
Dishwasher door panel and access panel (if model is so equipped) can be customized to match wood cabinets. A standard, $\frac{1}{4}$ " (6.4 mm) wood panel* can be used as is for customizing the door and access panels. It is recommended that a cabinetmaker cut the customized panel pieces because of the precise dimensions needed.

- Cut wood panels so that wood grain matches direction of grain in cabinets.
- File or sand edges of wood panels to avoid splinters.
- Dishwasher is subject to some humidity. Apply moisture-resistant sealer to both sides and edges of wood panels.
- Cut door panel accurately for a snug fit between door side frames.

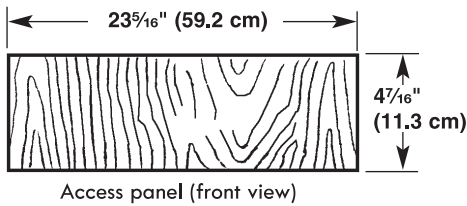
* $\frac{7}{32}$ " (5.6 mm) actual thickness.

Custom panel dimensions

These panels fit only models with frames around the door and access panels.



NOTE: Access panel is wider than door panel.



All edges routed to $\frac{7}{32}$ " (5.6 mm) thickness.

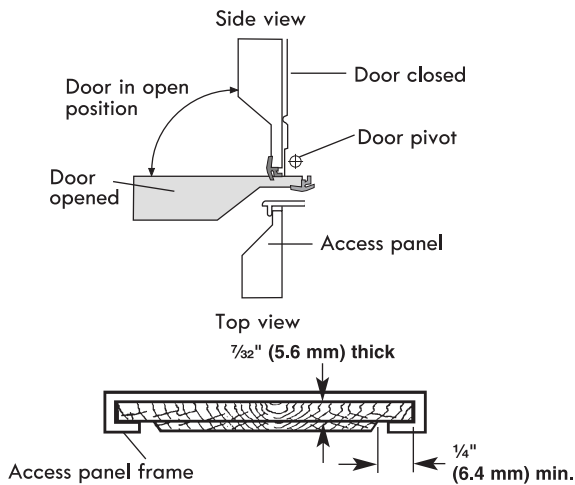
Routing custom panels

Cut door panel to clear access panel when door is in open position.

Custom door panel more than $\frac{7}{32}$ " (5.6 mm) thick: Route top and bottom to $\frac{7}{32}$ " (5.6 mm) thickness.

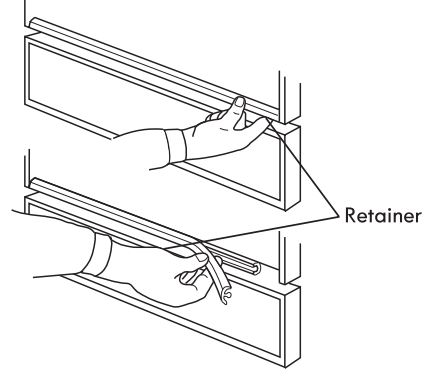
Custom access panel more than $\frac{7}{32}$ " (5.6 mm) thick: Route all four sides to $\frac{7}{32}$ " (5.6 mm) thickness.

Custom panels less than $\frac{7}{32}$ " (5.6 mm) thick: Install spacers behind panels.

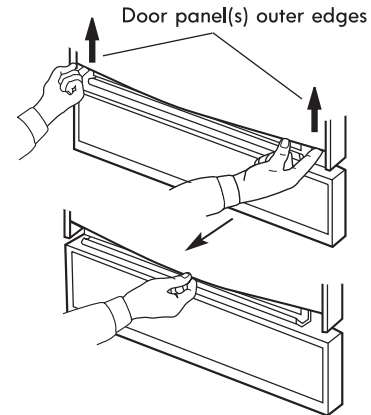


Install customized wood panels in door and access panel.

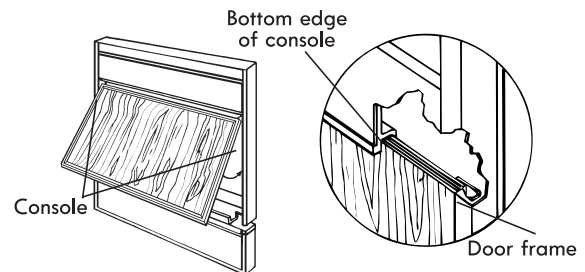
1. Cut wood door and access panels using specified dimensions. Make sure wood grain direction matches cabinet wood grain.
2. File or sand edges of wood panels to avoid splinters. Dishwasher is subject to some humidity. Cover both sides and edges of wood panels with moisture-resistant sealer.
3. Door Panel:
Handle panels gently. Insert finger under one end of retainer and pull toward you in a peeling action. Set retainer aside.



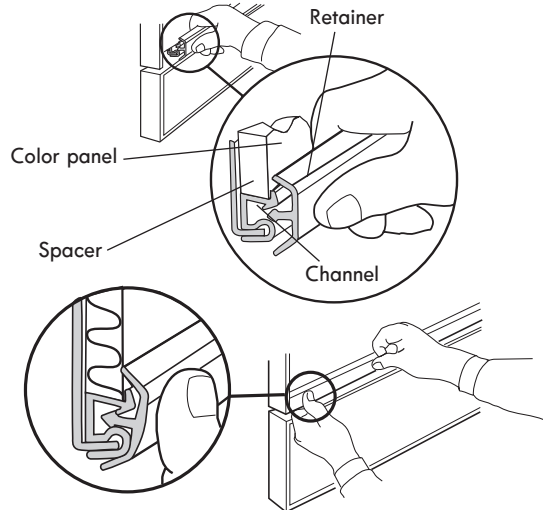
4. Lift door panel(s) at outer edges. Use one hand to bow bottom of panel(s). Remove panel(s) and spacer. Save panel(s) and spacer for future use.



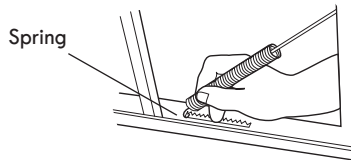
5. Insert top of wood door panel between sides of door frame about 3" (7.5 cm) below console. Rotate wood door panel down against dishwasher door. Slide top edge of wood door panel under bottom edge of console. Press lower portion of wood door panel in place between sides of door frame, allowing wood door panel to rest on channel at bottom.



6. Snap one end of retainer into channel as shown. Push inward while sliding thumb along full length of retainer.

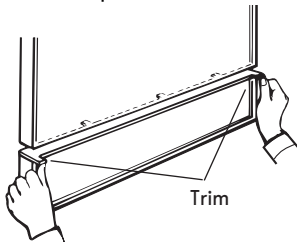


7. Check door for proper operation. Door should close easily without slamming and open with its own weight. If necessary, close door and adjust both door springs by moving spring ends to different holes in base.

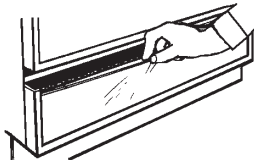


8. Access Panel:

Push up with thumbs on each end of access panel top trim to unsnap trim. Remove top trim and set it aside.

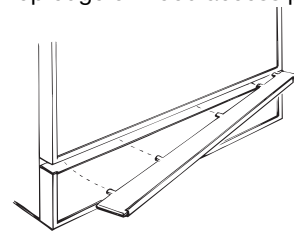


9. Gently slide color access panel and spacer upward and remove. Save color access panel and spacer for future use.



10. Insert wood access panel into access panel frame. Slide panel down into groove along bottom of access panel frame. It may be necessary to remove the two screws securing top of access panel to dishwasher frame and tilt access panel forward to install some wood panels.

11. Line up edges of top trim with sides of access panel frame. Tilt back of trim down and slide into place. Snap front of trim down to cover top edge of wood access panel.



Check operation

1. Read the Use and Care Guide that came with your dishwasher.
2. Check that all parts have been installed and no steps were skipped.
3. Check that you have all the tools you used.
4. Start dishwasher and allow it to complete the shortest wash cycle. After the first 2 minutes, unlatch door, wait 5 seconds, then open door.
5. Check that there is water in the bottom of the dishwasher tub. Check that dishwasher is working properly.
6. If the dishwasher is not working properly, disconnect power or unplug dishwasher and see "If dishwasher does not operate" section.

If dishwasher does not operate

First try the solutions suggested here to possibly avoid the cost of a service call.

- Has the circuit breaker tripped or the house fuse blown?
- Is the door closed tightly and latched?
- Has the cycle been set correctly to start the dishwasher?
- Is the water turned on?

If none of these work, call 1-800-253-1301 or in Canada, call 1-800-807-6777.

TABLE DES MATIÈRES

SÉCURITÉ DU LAVE-VAISSELLE	19	INSTRUCTIONS D'INSTALLATION	23
EXIGENCES D'INSTALLATION	20	Préparation des ouvertures dans les placards – utilisation des modes de raccordement existants pour canalisations et câblage.....	23
Outillage et pièces.....	20	Préparation de l'emplacement d'installation entre les placards lorsque les canalisations et câbles n'ont pas été installés.....	24
Emplacement d'installation.....	20	Préparation du lave-vaisselle.....	26
Spécifications de la canalisation d'évacuation.....	22	Raccordement électrique.....	29
Spécifications de l'alimentation en eau.....	22	Raccordement à la canalisation d'eau.....	30
Spécifications électriques.....	22	Raccordement à la canalisation d'évacuation.....	30
		Immobilisation du lave-vaisselle dans l'espace d'installation.....	31

SÉCURITÉ DU LAVE-VAISSELLE

Votre sécurité et celle des autres est très importante.

Nous donnons de nombreux messages de sécurité importants dans ce manuel et sur votre appareil ménager. Assurez-vous de toujours lire tous les messages de sécurité et de vous y conformer.



Voici le symbole d'alerte de sécurité.

Ce symbole d'alerte de sécurité vous signale les dangers potentiels de décès et de blessures graves à vous et à d'autres.

Tous les messages de sécurité suivront le symbole d'alerte de sécurité et le mot "DANGER" ou "AVERTISSEMENT". Ces mots signifient :

⚠ DANGER

Risque possible de décès ou de blessure grave si vous ne suivez pas immédiatement les instructions.

⚠ AVERTISSEMENT

Risque possible de décès ou de blessure grave si vous ne suivez pas les instructions.

Tous les messages de sécurité vous diront quel est le danger potentiel et vous disent comment réduire le risque de blessure et ce qui peut se produire en cas de non-respect des instructions.

⚠ AVERTISSEMENT



Risque de basculement

Ne pas utiliser le lave-vaisselle jusqu'à ce qu'il soit complètement installé.

Ne pas appuyer sur la porte ouverte.

Le non-respect de ces instructions peut causer des blessures graves ou des coupures.

Tenir compte de ceci :

- Ouvrir lentement la porte du lave-vaisselle tandis qu'une autre personne saisit l'arrière de l'appareil. Retirer les matériaux d'emballage, le tuyau de décharge et le panier inférieur. Fermer la porte du lave-vaisselle et verrouiller le loquet.
- Respecter les dispositions de tous les codes et règlements en vigueur.
- Installer le lave-vaisselle conformément aux prescriptions des présentes instructions.
- L'installation devrait être exécutée par un technicien qualifié. Veiller à respecter les dispositions de tous les codes et règlements locaux et nationaux régissant les installations de plomberie et d'électricité.

EXIGENCES D'INSTALLATION

Outillage et pièces

Rassembler tous les outils et pièces nécessaires avant de commencer l'installation.

Pour toutes les configurations d'installation

Outillage nécessaire :

- Pince
- Tournevis Phillips
- Tourne-écrou ou clé à douille – douilles hexagonales 5/16" ou 1/4"
- Mètre-ruban ou règle
- Clé à molette de 10" (ouverture jusqu'à 1 1/8" [2,9 cm])
- Tournevis à lame plate
- Couteau utilitaire
- 2 connecteurs de fils de taille appropriée pour le raccordement des conducteurs de l'appareil (calibre 16) au câblage de la maison

- Petit niveau
- Lampe torche
- Plat peu profond
- Clé plate 5/8"
- Serviette de bain
- Cale de bois

Pièces nécessaires :

- Cales (pour l'installation sur un plancher à rehaussement partiel)
- Raccord de compression de 3/8" x 3/4" pour tuyau. (Pièce n° W10273460A)

Outillage et pièces supplémentaires pour l'installation dans un local neuf

Outillage nécessaire :

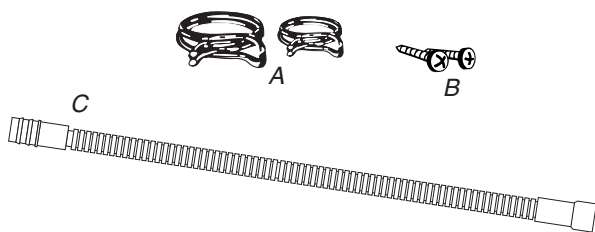
- Perceuse sans fil avec scies à trous de 1/2", 3/4" et 1 1/2"
- Petit coupe-tube
- Pince à dénuder
- Bride de tuyau à vis 1 1/2 à 2" pour raccordement sur un raccord T

Pièces nécessaires :

- Tube de cuivre (3/8" recommandé) ou conduit de raccordement flexible avec tresse d'acier inoxydable
- Serre-câble ou connecteur de conduit utilisable sur un trou de diamètre 7/8" (2,2 cm)

Pièces fournies

- A. 2 brides pour tuyau de décharge - 1 grosse, 1 petite
- B. 2 vis Phillips n° 10 x 1/2"
- C. Tuyau de décharge



Pour commander des pièces ou un ensemble, consulter votre marchand local ou Whirlpool Pièces : 1-800-442-8991.

Emplacement d'installation

Ne pas placer canalisation d'évacuation, canalisation d'eau ou câblage électrique à un endroit où cela susciterait interférence ou contact avec les pieds ou le moteur du lave-vaisselle.

À l'emplacement d'installation du lave-vaisselle, on doit pouvoir établir le dégagement approprié entre le moteur et le plancher. Le moteur ne doit pas toucher le plancher.

Ne pas installer le lave-vaisselle par-dessus un tapis.

Protéger du gel le lave-vaisselle et les canalisations d'eau qui l'alimentent; la garantie de l'appareil ne couvre pas les dommages imputables au gel.

Un ensemble "panneau latéral" est disponible chez les revendeurs pour l'installation du lave-vaisselle à l'extrémité d'une rangée de placards.

Un accessoire pare-vapeur (pièce n° 4396277) est disponible chez les revendeurs pour l'installation de l'appareil sous le plan de travail.

Inspecter l'emplacement d'installation du lave-vaisselle; il doit comporter les caractéristiques suivantes :

- facilité d'accès aux canalisations d'eau et d'égout et à la source d'électricité.
- accès facile pour chargement et déchargement de la vaisselle. Dans le cas de l'installation dans un angle, on doit pouvoir établir un dégagement de 2" (5,1 cm) ou plus entre le côté de la porte du lave-vaisselle et le mur ou le placard.
- ouverture carrée offrant l'esthétique appropriée et permettant un fonctionnement correct.
- façade des placards perpendiculaire au plancher.
- plancher horizontal et plat (s'il y a un écart de niveau entre l'avant et l'arrière sur le plancher de l'emplacement d'installation, il pourrait être nécessaire d'utiliser des cales pour établir l'aplomb de l'appareil).

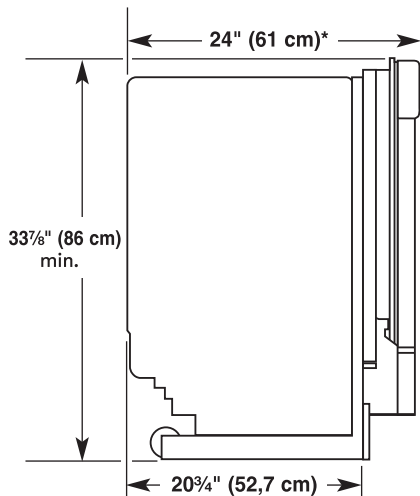
REMARQUE : Pour éviter tout déplacement des cales durant le fonctionnement de l'appareil, il est nécessaire de fixer solidement les cales au plancher.

Si le lave-vaisselle ne doit pas être utilisé pendant une période prolongée ou s'il est laissé à un endroit qui pourrait être exposé au gel, veiller à faire exécuter les opérations de pré-hivernage par un technicien compétent.

Veiller à ce que les canalisations d'eau et d'évacuation et les câbles électriques soient dans la zone marquée en gris dans la section "Dimensions de l'emplacement d'installation".

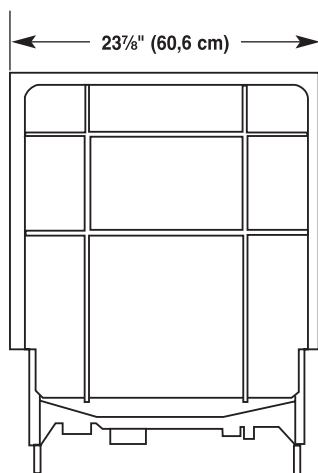
Conseil utile : Si le plancher de l'espace d'installation n'est pas parfaitement horizontal et plat (exemple : garnissage de carrelage sur une partie seulement), on devra accorder une attention particulière aux détails lors du relevé des dimensions et lors du réglage de l'aplomb du lave-vaisselle.

Dimensions du produit



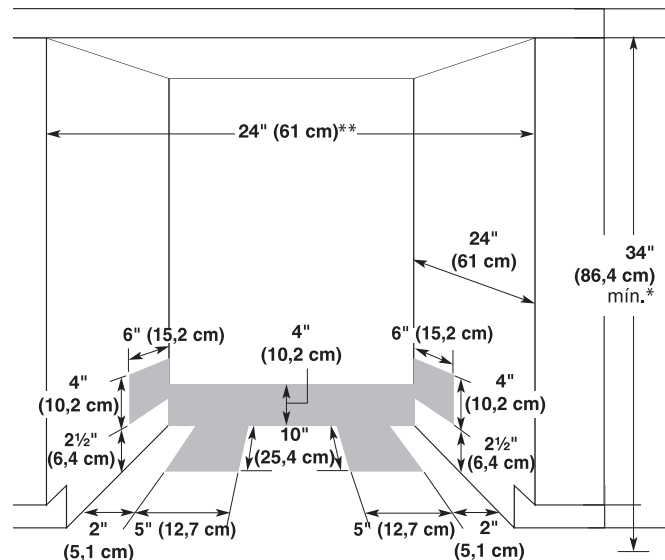
*Jusqu'au devant du cadre de la porte

VUE LATÉRALE



VUE ARRIÈRE

Dimensions de l'espace d'installation



Découper les trous dans la zone marquée en gris du plancher ou des parois des placards, selon les spécifications ci-dessous :

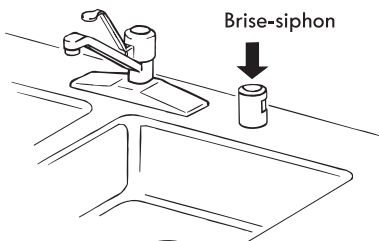
- Canalisation d'eau – 1/2" (1,3 cm)
- Canalisation d'évacuation – 1 1/2" (3,8 cm)
- Câble pour câblage direct – 3/4" (1,9 cm)
- Cordon d'alimentation – 1 1/2" (3,8 cm)

*Mesure depuis le point le plus bas de la face inférieure du plan de travail.

**Dimension minimale mesurée au point le plus étroit de l'ouverture.

Spécifications de la canalisation d'évacuation

- Utiliser le tuyau d'évacuation neuf fourni avec le lave-vaisselle. Si ce tuyau n'est pas suffisamment long, utiliser un tuyau d'évacuation neuf de longueur maximale 12 pi (3,7 m) qui satisfait les critères de la norme AHAM/IAPMO en vigueur, résistant à la chaleur et aux détergents, et qui pourra être connecté sur le raccord de sortie de 1" (2,5 cm) du lave-vaisselle.
- Connecter le conduit d'évacuation à la canalisation d'égout par l'intermédiaire d'un raccord T ou du raccord d'un broyeur à déchets situé plus haut que le siphon du circuit de plomberie de la maison, et à au moins 20" (50,8 cm) au-dessus du sol. On recommande de lover le tuyau d'évacuation et de le fixer solidement sur la face inférieure du plan de travail, ou de le raccorder à un dispositif brise-siphon.



- Utiliser un dispositif brise-siphon si le tuyau d'évacuation est connecté à la canalisation d'égout de la maison à moins de 20" (50,8 cm) au-dessus du sous-plancher ou du plancher.
- Utiliser un raccord de diamètre intérieur de 1/2" ou plus.

Spécifications de l'alimentation en eau

- Canalisation d'eau chaude, sous pression de 20 à 120 lb/po² (138 à 862 kPa).
- Température de 49°C (120°F) à l'entrée du lave-vaisselle.
- Canalisation de cuivre de diamètre externe 3/8" avec raccord à compression, ou conduit de raccordement flexible à tresse d'acier inoxydable (l'emploi d'un tube de plastique de 1/2" minimum est déconseillé).
- Raccord de compression de 3/8" x 3/4" pour tuyau. Contacter votre magasin local Sears pour acheter l'ensemble n° 11000.

Ne pas exécuter de raccordement par soudure à moins de 6" (15,2 cm) de l'électrovanne d'admission d'eau.

Spécifications électriques

Contactez un électricien qualifié.

Vérifier que l'installation électrique est adéquate et qu'elle satisfait les exigences de tous les codes et règlements locaux et nationaux en vigueur.

Caractéristiques exigées :

- 120 volts CA, 60 Hz; protection par fusible 15 ou 20 A.
- conducteurs de cuivre seulement

On recommande :

- un fusible temporisé ou disjoncteur.
- une alimentation par un circuit indépendant.

Pour le raccordement direct du lave-vaisselle :

- Utiliser un câble flexible blindé ou à gaine non métallique, des conducteurs de cuivre avec mise à la terre, satisfaisant les exigences des codes et règlements locaux.
- Arrimer le câble avec le dispositif fourni sur la boîte de connexion de la maison, ou installer un raccord à collets (homologation UL ou CSA) sur la boîte de connexion de la maison. Dans le cas de l'emploi d'un conduit, utiliser un serre-câble (homologation UL ou CSA).

Alimentation de l'appareil par un cordon d'alimentation :

- Utiliser le cordon d'alimentation (pièce n° 4317824) identifié pour l'utilisation avec un lave-vaisselle. L'ensemble comprend :
 - cordon d'alimentation Volex Inc., avec 3 conducteurs de calibre 16 (homologation UL) et fiche de branchement à 3 broches pour liaison à la terre.
 - serre-câble 7/8" Neer C-500.
 - 3 connecteurs de fils.
 - bague de protection - pièce n° 302797.Pour l'installation du cordon d'alimentation, procéder conformément aux instructions fournies avec l'ensemble.
- La fiche du cordon d'alimentation devra être branchée sur une prise de courant à 3 alvéoles de configuration correspondante, reliée à la terre, installée dans le placard à côté de l'emplacement d'installation du lave-vaisselle. La prise de courant doit satisfaire les exigences de tous les codes et règlements locaux.

INSTRUCTIONS D'INSTALLATION

⚠ AVERTISSEMENT



Risque de choc électrique

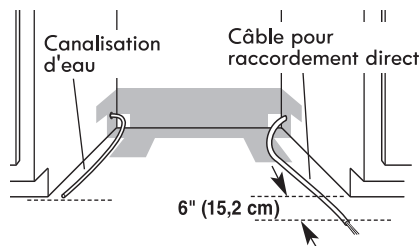
Interrompre l'alimentation électrique avant d'installer le lave-vaisselle (au niveau du tableau de distribution - fusible ou disjoncteur).

Le non-respect de cette instruction peut causer un décès ou un choc électrique.

1. Interrompre l'alimentation électrique.
2. Fermer l'arrivée d'eau.

Préparation des ouvertures dans les placards – utilisation des modes de raccordement existants pour canalisations et câblage

- Procéder conformément aux instructions de cette section pour l'installation de l'appareil à un emplacement déjà doté de moyens de raccordement.
- Pour l'installation de l'appareil à un emplacement où les canalisations et le câblage n'ont pas déjà été installés, procéder conformément aux instructions présentées à la section "Préparation de l'emplacement d'installation entre les placards lorsque les canalisations et câbles n'ont pas été installés".



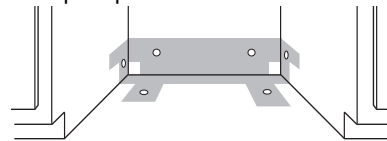
1. Vérifier que la canalisation d'eau atteint le côté avant gauche de l'espace d'installation (endroit où le raccordement à l'appareil sera effectué).
2. Vérifier que le câble d'alimentation atteint l'angle avant droit de l'espace d'installation (endroit où le raccordement à l'appareil sera effectué).

Si la canalisation d'eau et le câble de raccordement électrique direct sont suffisamment longs, passer à la section suivante "Installation du tuyau d'évacuation". Si la canalisation d'eau et le câble électrique ne sont pas suffisamment longs, procéder conformément aux instructions de la section "Préparation de l'emplacement d'installation entre les placards lorsque les canalisations et câbles n'ont pas été installés".

Installation du tuyau d'évacuation

IMPORTANT : On doit toujours utiliser un tuyau d'évacuation neuf, même pour l'installation d'un lave-vaisselle de remplacement.

1. Percer un trou de diamètre 1½" (3,8 cm) dans la paroi du placard ou dans le plancher sur le côté de l'espace d'installation le plus proche de l'évier.



2. Employer l'une des méthodes suivantes pour raccorder le tuyau d'évacuation sur un raccord T ou sur un broyeur à déchets.

- Option 1 - broyeur à déchets – avec brise-siphon
- Option 2 - pas de broyeur à déchets – avec brise-siphon
- Option 3 - broyeur à déchets – sans brise-siphon*
- Option 4 - pas de broyeur à déchets – sans brise-siphon*

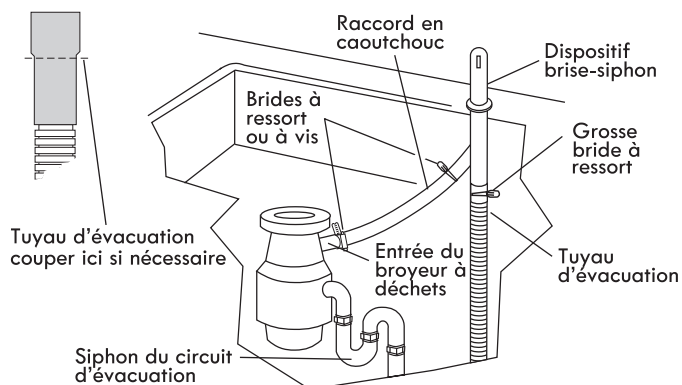
*On recommande qu'un brise-siphon soit disponible

Conseil utile : Pour réduire les effets de vibration du tuyau durant le fonctionnement, maintenir une séparation entre le tuyau et le plancher et entre le tuyau et la circonférence du trou de passage à travers le placard.

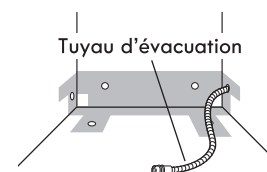
Option 1 - broyeur à déchets – avec brise-siphon :

1. Ôter l'opercule arrachable sur le broyeur à déchets. Si nécessaire, couper l'extrémité du tuyau d'évacuation (ne pas couper dans la section ondulée).
2. Connecter le tuyau d'évacuation sur le dispositif brise-siphon avec la grosse bride à ressort. Si le tuyau d'évacuation a été coupé, utiliser une bride à vis* de 1½ à 2" (3,8 à 5 cm).
3. Utiliser un raccord en caoutchouc* avec une bride à ressort ou à vis* pour raccorder le dispositif brise-siphon à l'entrée du broyeur à déchets.

Ce raccordement doit être réalisé en amont du siphon du circuit d'évacuation et à au moins 20" (50,8 cm) au-dessus du plancher de l'espace d'installation du lave-vaisselle.



4. Insérer le tuyau d'évacuation à travers le trou découpé dans le placard et acheminer le tuyau jusqu'à l'avant-centre de l'ouverture, au point de raccordement du tuyau d'évacuation.

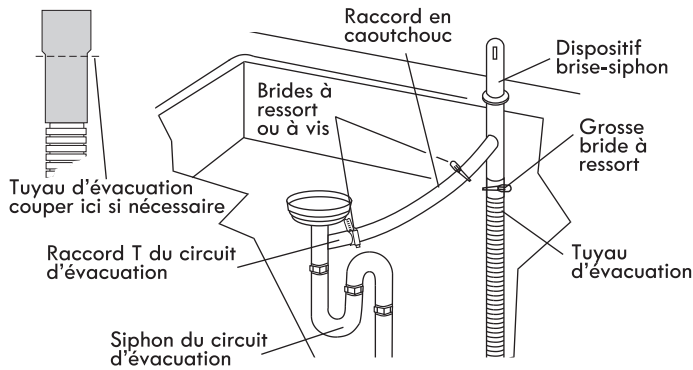


*Pièces disponibles dans un magasin local de fournitures de plomberie

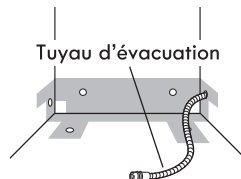
Option 2 - pas de broyeur à déchets – avec brise-siphon :

1. Si nécessaire, couper l'extrémité du tuyau d'évacuation (ne pas couper dans la section ondulée).
2. Connecter le tuyau d'évacuation sur le dispositif brise-siphon avec la grosse bride à ressort. Si le tuyau d'évacuation a été coupé, utiliser une bride à vis* de 1½ à 2" (3,8 à 5 cm).
3. Utiliser un raccord de caoutchouc* avec bride à ressort ou à vis* pour le raccordement entre le dispositif brise-siphon et le raccord T du circuit d'évacuation.

Ce raccordement doit être réalisé en amont du siphon du circuit d'évacuation et à au moins 20" (50,8 cm) au-dessus du plancher de l'espace d'installation du lave-vaisselle.



4. Insérer le tuyau d'évacuation à travers le trou découpé dans le placard et acheminer le tuyau jusqu'à l'avant-centre de l'ouverture, au point de raccordement du tuyau d'évacuation.

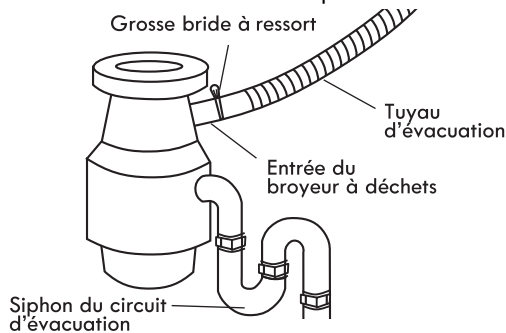


*Pièces disponibles dans un magasin local de fournitures de plomberie

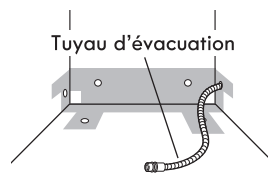
Option 3 - broyeur à déchets – sans brise-siphon :

1. Ôter l'opercule arrachable du broyeur à déchets. Ne pas couper l'extrémité du tuyau d'évacuation.
2. Connecter le tuyau d'évacuation sur le broyeur à déchets avec la grosse bride à ressort.

Ce raccordement doit être réalisé en amont du siphon du circuit d'évacuation et à au moins 20" (50,8 cm) au-dessus du plancher de l'espace d'installation du lave-vaisselle. On recommande de lover le tuyau d'évacuation et de le fixer solidement sur la face inférieure du plan de travail.



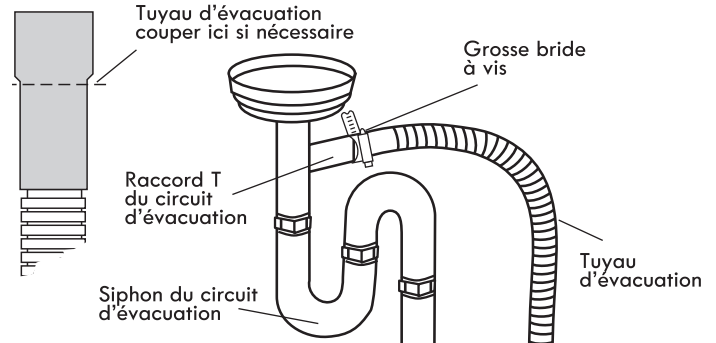
3. Insérer le tuyau d'évacuation à travers le trou découpé dans le placard et acheminer le tuyau jusqu'à l'avant-centre de l'ouverture, au point de raccordement du tuyau d'évacuation.



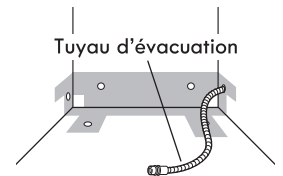
Option 4 - pas de broyeur à déchets – sans brise-siphon :

1. Si nécessaire, couper l'extrémité du tuyau d'évacuation (ne pas couper dans la section ondulée).
2. Connecter le tuyau d'évacuation sur le raccord T du circuit d'évacuation avec une bride à vis de 1½ à 2" (3,8 à 5 cm)*.

Ce raccordement doit être réalisé en amont du siphon du circuit d'évacuation et à au moins 20" (50,8 cm) au-dessus du plancher de l'espace d'installation du lave-vaisselle. On recommande de lover le tuyau d'évacuation et de le fixer solidement sur la face inférieure du plan de travail.



3. Insérer le tuyau d'évacuation à travers le trou découpé dans le placard et acheminer le tuyau jusqu'à l'avant-centre de l'ouverture, au point de raccordement du tuyau d'évacuation.



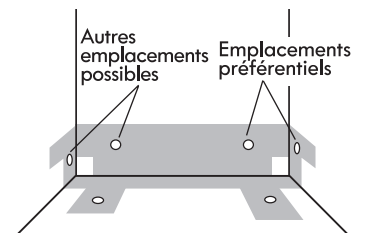
*Pièces disponibles dans un magasin local de fournitures de plomberie

Préparation de l'emplacement d'installation entre les placards lorsque les canalisations et câbles n'ont pas été installés

Raccordement électrique

Option 1 - raccordement direct :

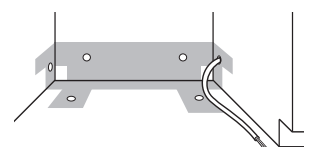
Conseil utile : Le raccordement au lave-vaisselle sera plus facile si on achemine le câble par le côté droit de l'espace d'installation.



1. Percer un trou de ¾" (1,9 cm) dans la paroi du placard, le mur arrière ou le plancher, sur le côté droit de l'espace d'installation. Les emplacements préférés ainsi que les autres emplacements possibles sont identifiés sur l'illustration.
2. Placard en bois : poncer la rive du trou percé pour produire une surface lisse.
Placard métallique : garnir la circonférence du trou percé avec une bague de protection (pièce n° 302797 - non fournie).

3. Acheminer le câble jusqu'à la boîte de connexion (tableau de distribution de la maison).

4. Pour un câble flexible, installer un serre-câble (homologation UL ou CSA). Dans le cas d'un conduit, installer un connecteur de conduit sur la boîte de connexion (homologation UL ou CSA).

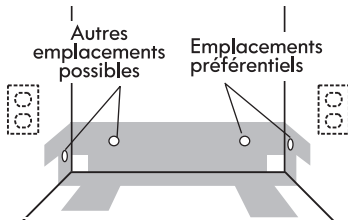


- Faire passer l'autre extrémité du câble à travers le trou percé dans le placard. L'extrémité du câble doit pouvoir parvenir jusqu'à l'angle avant droit de l'espace d'installation.

Option 2 - raccordement par cordon d'alimentation :

REMARQUE : Une prise de courant murale à 3 alvéoles de configuration correspondante, reliée à la terre, doit être installée dans le placard, à côté de l'emplacement d'installation du lave-vaisselle.

- Percer un trou de 1 1/2" (3,8 cm) dans la paroi du placard ou le mur arrière. Les emplacements préférés ainsi que les autres emplacements possibles sont identifiés sur l'illustration.



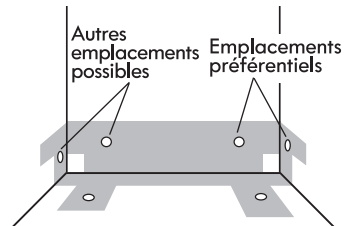
- Placard de bois : poncer la rive du trou percé pour produire une surface lisse.

Placard métallique : garnir la circonférence du trou percé avec la bague de protection (pièce n° 302797) fournie avec l'ensemble du cordon d'alimentation.

Installation de la canalisation d'eau

Conseil utile : Le raccordement au lave-vaisselle sera plus facile si on achemine la canalisation d'eau par le côté gauche de l'espace d'installation.

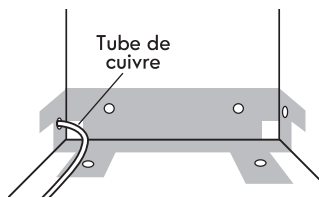
- Percer un trou de diamètre 1/2" (1,3 cm) ou plus dans la paroi du placard, le mur arrière ou le plancher. Les emplacements préférés ainsi que les autres emplacements possibles sont identifiés sur l'illustration.



- Mesurer la longueur totale de tube de cuivre nécessaire.

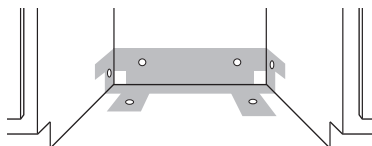
- Connecter le tube de cuivre à la canalisation d'eau par l'intermédiaire d'un robinet d'arrêt manuel.

- Enfiler doucement le tube de cuivre à travers le trou percé dans le placard. On doit travailler prudemment; le tube de cuivre est malléable et on peut facilement le déformer et même l'écraser. Le tube de cuivre doit pénétrer suffisamment dans le placard pour pouvoir être raccordé au point d'entrée du lave-vaisselle, à l'avant-gauche de celui-ci.



- Ouvrir le robinet d'arrêt à la position "ON" (marche) pour éliminer les particules qui pourraient obstruer l'électrovanne d'admission d'eau - récupérer l'eau qui s'écoule dans un plat peu profond.

- Tourner le robinet d'arrêt à la position "OFF" (arrêt).



Installation du tuyau d'évacuation

IMPORTANT : Utiliser toujours un tuyau d'évacuation neuf.

- Percer un trou de diamètre 1 1/2" (3,8 cm) dans la paroi du placard ou dans le plancher sur le côté de l'espace d'installation le plus proche de l'évier.
- Employer l'une des méthodes suivantes pour raccorder le tuyau d'évacuation sur un raccord T ou sur un broyeur à déchets.
 - Option 1 - broyeur à déchets – avec brise-siphon
 - Option 2 - pas de broyeur à déchets – avec brise-siphon
 - Option 3 - broyeur à déchets – sans brise-siphon*
 - Option 4 - pas de broyeur à déchets – sans brise-siphon*

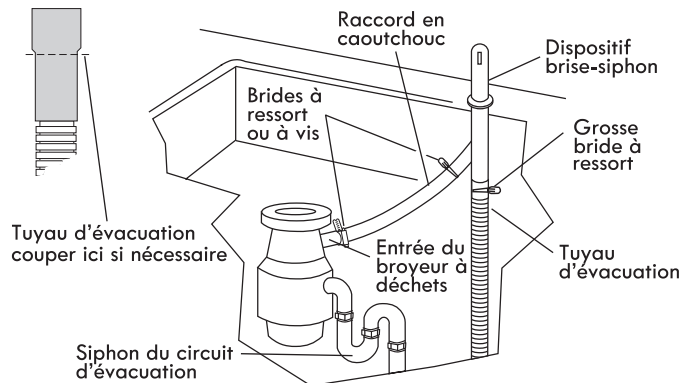
*On recommande qu'un brise-siphon soit disponible

Conseil utile : Pour réduire les effets de vibration du tuyau durant le fonctionnement, maintenir une séparation entre le tuyau et le plancher et entre le tuyau et la circonférence du trou de passage à travers le placard.

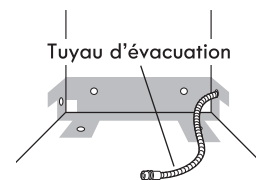
Option 1 - broyeur à déchets – avec brise-siphon :

- Ôter l'opercule arrachable sur le broyeur à déchets. Si nécessaire, couper l'extrémité du tuyau d'évacuation (ne pas couper dans la section ondulée).
- Connecter le tuyau d'évacuation sur le dispositif brise-siphon avec la grosse bride à ressort. Si le tuyau d'évacuation a été coupé, utiliser une bride à vis* de 1 1/2" à 2" (3,8 à 5 cm).
- Utiliser un raccord en caoutchouc* avec une bride à ressort ou à vis* pour raccorder le dispositif brise-siphon à l'entrée du broyeur à déchets.

Ce raccordement doit être réalisé en amont du siphon du circuit d'évacuation et à au moins 20" (50,8 cm) au-dessus du plancher de l'espace d'installation du lave-vaisselle.



- Insérer le tuyau d'évacuation à travers le trou découpé dans le placard et acheminer le tuyau jusqu'à l'avant-centre de l'ouverture, au point de raccordement du tuyau d'évacuation.

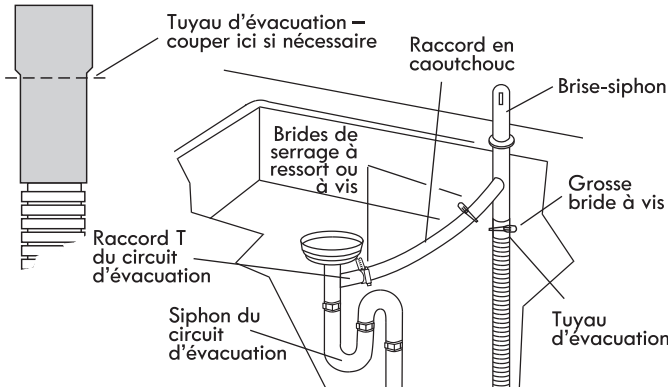


*Pièces disponibles dans un magasin local de fournitures de plomberie

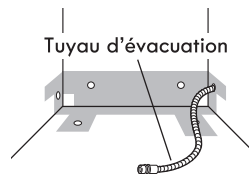
Option 2 - pas de broyeur à déchets – avec brise-siphon :

1. Si nécessaire, couper l'extrémité du tuyau d'évacuation (ne pas couper dans la section ondulée).
2. Connecter le tuyau d'évacuation sur le dispositif brise-siphon avec la grosse bride à ressort. Si le tuyau d'évacuation a été coupé, utiliser une bride à vis* de 1½ à 2" (3,8 à 5 cm).
3. Utiliser un raccord de caoutchouc* avec bride à ressort ou à vis* pour le raccordement entre le dispositif brise-siphon et le raccord T du circuit d'évacuation.

Ce raccordement doit être réalisé en amont du siphon du circuit d'évacuation et à au moins 20" (50,8 cm) au-dessus du plancher de l'espace d'installation du lave-vaisselle.



4. Insérer le tuyau d'évacuation à travers le trou découpé dans le placard et acheminer le tuyau jusqu'à l'avant-centre de l'ouverture, au point de raccordement du tuyau d'évacuation.

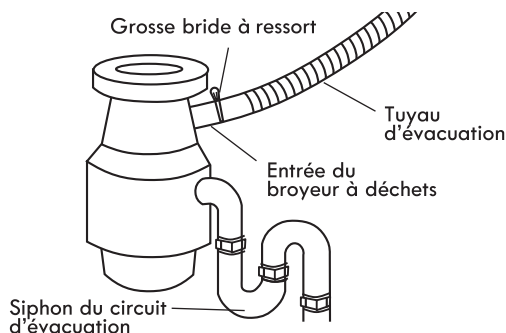


*Pièces disponibles dans un magasin local de fournitures de plomberie.

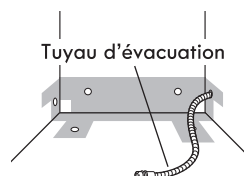
Option 3 - broyeur à déchets – sans brise-siphon :

1. Ôter l'opercule arrachable du broyeur à déchets. Ne pas couper l'extrémité du tuyau d'évacuation.
2. Connecter le tuyau d'évacuation sur le broyeur à déchets avec la grosse bride à ressort.

Ce raccordement doit être réalisé en amont du siphon du circuit d'évacuation et à au moins 20" (50,8 cm) au-dessus du plancher de l'espace d'installation du lave-vaisselle. On recommande de lover le tuyau d'évacuation et de le fixer solidement sur la face inférieure du plan de travail.



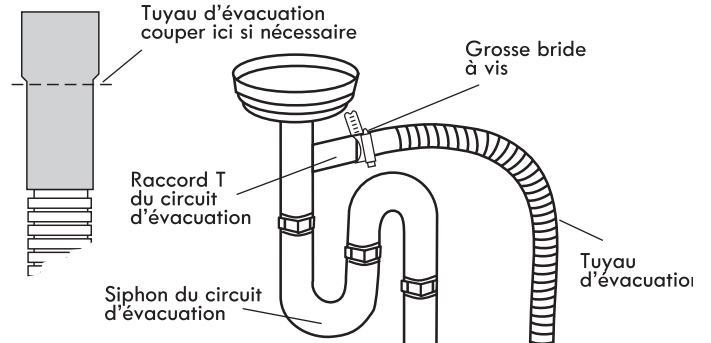
3. Insérer le tuyau d'évacuation à travers le trou découpé dans le placard et acheminer le tuyau jusqu'à l'avant-centre de l'ouverture, au point de raccordement du tuyau d'évacuation.



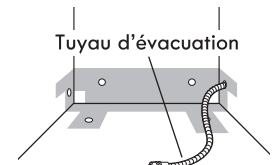
Option 4 - pas de broyeur à déchets – sans brise-siphon :

1. Si nécessaire, couper l'extrémité du tuyau d'évacuation (ne pas couper dans la section ondulée).
2. Connecter le tuyau d'évacuation sur le raccord T du circuit d'évacuation avec une bride à vis* de 1½ à 2" (3,8 à 5 cm)*.

Ce raccordement doit être réalisé en amont du siphon du circuit d'évacuation et à au moins 20" (50,8 cm) au-dessus du plancher de l'espace d'installation du lave-vaisselle. On recommande de lover le tuyau d'évacuation et de le fixer solidement sur la face inférieure du plan de travail.



3. Insérer le tuyau d'évacuation à travers le trou découpé dans le placard et acheminer le tuyau jusqu'à l'avant-centre de l'ouverture, au point de raccordement du tuyau d'évacuation.



*Pièces disponibles dans un magasin local de fournitures de plomberie.

Préparation du lave-vaisselle

⚠ AVERTISSEMENT



Risque de basculement

Ne pas utiliser le lave-vaisselle jusqu'à ce qu'il soit complètement installé.

Ne pas appuyer sur la porte ouverte.

Le non-respect de ces instructions peut causer des blessures graves ou des coupures.

⚠ AVERTISSEMENT

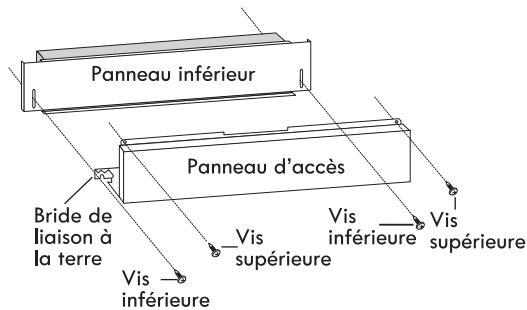
Risque du poids excessif

Utiliser deux personnes ou plus pour déplacer et installer le lave-vaisselle.

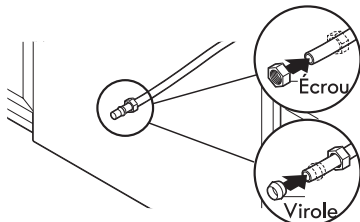
Le non-respect de cette instruction peut causer une blessure au dos ou d'autre blessure.

Conseil utile : Conserver une feuille de carton sous le lave-vaisselle jusqu'à son installation dans l'espace d'installation entre les placards. La feuille de carton protégera le plancher durant l'installation.

1. En utilisant 2 personnes ou plus, saisir l'aramature de porte du lave-vaisselle par les côtés et mettre le lave-vaisselle sur le dos en le faisant reposer sur les cornières.
2. Ôter les deux vis fixant le panneau de l'ouverture d'accès et le panneau inférieur sur le lave-vaisselle – utiliser une clé à douille de 1/4", un tourne-écrou ou un tournevis Phillips.
3. Placer les panneaux déposés à part, sur une surface protégée.
4. Vérifier que l'agrafe de liaison à la terre est fixée sur le panneau inférieur.



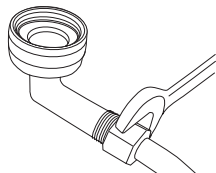
5. Enfiler l'écrou et la virole sur la canalisation.



Canalisation en cuivre uniquement : Enfiler l'écrou puis la virole sur la canalisation de cuivre, sur environ 1" (2,5 cm).

REMARQUE : Pour réduire les vibrations durant le fonctionnement, acheminer la canalisation d'alimentation en eau de telle manière qu'elle ne touche pas la base, le châssis ou le moteur de l'appareil.

6. Raccorder le raccord coudé de 90° à la canalisation d'alimentation en eau.

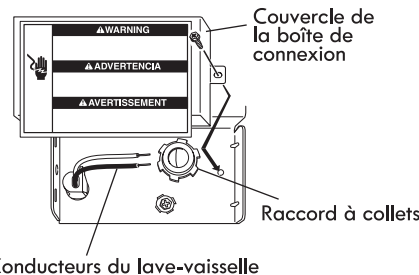


Raccorder le raccord de compression de 3/8" à la canalisation d'alimentation en eau avant d'installer l'appareil dans l'ouverture découpée dans le placard. Le fixer de façon à ce que le raccord de 3/4" soit orienté vers le haut.

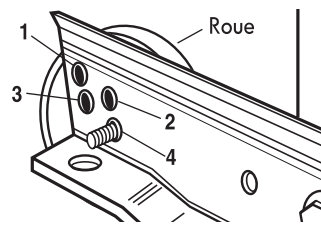
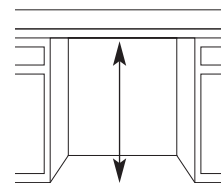
Canalisation en cuivre uniquement : insérer la canalisation dans le raccord coudé de 90° aussi loin que possible (la canalisation en cuivre se plie et s'écrase facilement). Faire glisser l'écrou et la virole vers l'avant et engager l'écrou sur le filetage du raccord coudé. Raccord flexible à tresse d'acier : Fixer l'écrou sur le coude à l'aide d'une clé plate ou d'une clé à molette de 5/8".

REMARQUE : Ne pas utiliser de ruban adhésif Teflon® avec les raccords de compression.

7. Ôter le couvercle de la boîte de connexion.
 - Dans le cas du câblage direct, installer un raccord à collets (homologation UL ou CSA) sur la boîte de connexion. Dans le cas de l'utilisation d'un conduit, installer un serre-câble (homologation UL ou CSA).
 - Si l'appareil doit être alimenté par un cordon d'alimentation, installer maintenant le cordon d'alimentation conformément aux instructions fournies avec l'ensemble. La trousse du cordon d'alimentation doit être homologuée UL et identifiée pour utilisation avec les lave-vaisselle (trousse de cordon d'alimentation, pièce n° 4317824).



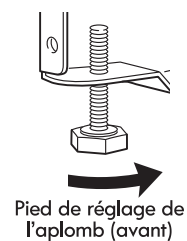
8. Mesurer la hauteur libre de l'espace d'installation, de la face inférieure du plan de travail jusqu'au plancher, à l'emplacement d'installation du lave-vaisselle (au niveau du point le plus bas). Consulter le tableau ci-dessous pour obtenir la hauteur de l'ouverture. Placer les roues de l'appareil à la position appropriée.



Hauteur libre minimale	Position des roues
34" (86,4 cm)	1
34 1/8" (86,7 cm)	2
34 5/16" (87,2 cm)	3
34 1/2" (87,6 cm)	4

9. Ajuster les pieds de réglage de l'aplomb à l'avant (à la même hauteur).

Si la hauteur libre minimale de l'ouverture est inférieure à 34" (86,4 cm), on peut enlever les roues arrière pour obtenir un dégagement supplémentaire. On pourra ainsi installer le lave-vaisselle sous le plan de travail si la hauteur libre est de 33 7/8" (86 cm); il sera cependant plus difficile de placer le lave-vaisselle à sa position de service finale. Si on enlève les roues, on devra veiller à protéger le plancher lors des déplacements du lave-vaisselle.



⚠ AVERTISSEMENT

Risque du poids excessif

Utiliser deux personnes ou plus pour déplacer et installer le lave-vaisselle.

Le non-respect de cette instruction peut causer une blessure au dos ou d'autre blessure.

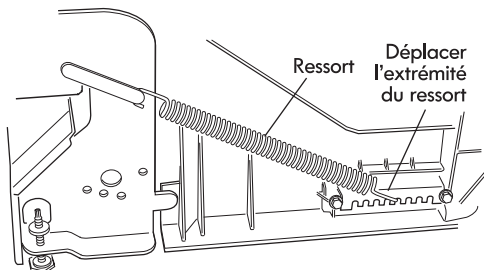
10. À l'aide d'au moins deux personnes, mettre le lave-vaisselle en position verticale.

REMARQUE : Ne pas fixer le lave-vaisselle. Ceci sera fait ultérieurement.

Contrôle de la tension des ressorts de la porte

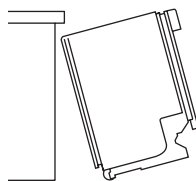
Alors qu'une autre personne retient le lave-vaisselle pour l'empêcher de basculer, ouvrir et refermer la porte plusieurs fois. Si la porte se ferme ou s'ouvre sous l'effet de son propre poids, il sera nécessaire d'ajuster la tension des ressorts de la porte.

- Si la porte se referme trop vite, diminuer la tension des ressorts en déplaçant l'extrémité des ressorts vers l'avant du lave-vaisselle.
- Si la porte retombe et s'ouvre, augmenter la tension des ressorts en déplaçant l'extrémité des ressorts vers l'arrière du lave-vaisselle.
- Les ressorts devraient être placés dans les mêmes encoches à gauche et à droite.



Insertion du lave-vaisselle dans l'ouverture du placard

1. À l'aide d'au moins deux personnes, mettre le lave-vaisselle en position verticale.
2. Saisir les côtés du lave-vaisselle par les rebords du panneau de porte.
3. Incliner le lave-vaisselle vers l'arrière sur ses roulettes et approcher l'appareil de l'ouverture dans le placard. Ne pas pousser sur l'avant du panneau ou sur la console – ceci pourrait faire subir des dommages à l'appareil.
4. Si le lave-vaisselle est alimenté par un cordon d'alimentation, insérer le cordon d'alimentation dans le trou découpé dans le placard.



Dans le cas d'un câblage direct, vérifier que le câble d'alimentation est sur le côté avant droit de l'espace d'installation.

5. Vérifier que la canalisation d'eau est sur le côté gauche de l'espace d'installation, et que le tuyau d'évacuation est près du centre du trou percé dans le placard.
6. Insérer lentement et complètement le lave-vaisselle dans l'ouverture d'encastrement du placard. Veiller à ne pas coincer le tube de cuivre, le tuyau d'évacuation, le cordon d'alimentation ou le câble de raccordement direct entre le lave-vaisselle et le placard.

Conseil utile : Lorsque le lave-vaisselle est à sa position de service, il peut être nécessaire de soutenir l'avant – soulever/abaisser ou caler les pieds avant.

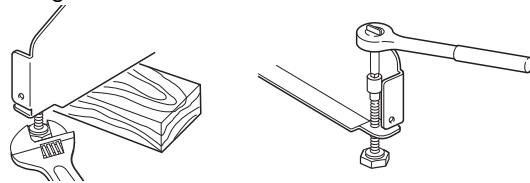
7. Enlever la feuille de carton placée sous le lave-vaisselle.
8. À l'aide des encoches prédécoupées dans le garnissage d'insonorisation/isolation, fixer le garnissage d'insonorisation/isolation aux côtés de la cuve à l'aide des crochets de chaque côté du tambour.

REMARQUE : Le fait qu'il n'y ait que peu d'espace entre le lave-vaisselle et l'ouverture d'encastrement du placard ne pose pas de problème. Ne pas enlever le garnissage d'insonorisation/isolation – il réduit le niveau sonore.

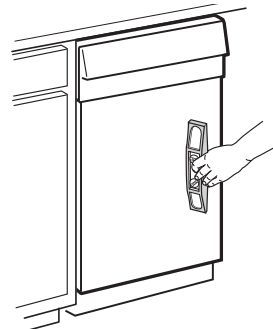
Établissement de l'aplomb du lave-vaisselle

1. Aligner l'avant du panneau de porte du lave-vaisselle avec les portes des placards. Cela pourrait nécessiter un léger déplacement du lave-vaisselle.

Conseil utile : Durant le réglage de la hauteur des pieds avant, soulever un côté du châssis du lave-vaisselle pour séparer le pied du plancher. Avec certaines installations, il peut être plus facile de régler le pied avant à l'aide d'une clé à tête hexagonale de $\frac{3}{16}$ ".



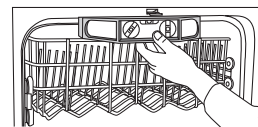
2. Vérifier que chaque pied de réglage de l'aplomb est fermement en appui sur le sol.
3. Fermer la porte et la verrouiller. Placer le niveau contre l'avant du lave-vaisselle pour voir s'il est aligné verticalement. Si nécessaire, ajuster la hauteur des pieds de réglage de l'aplomb ou ajouter des cales sous les roues arrière pour établir l'aplomb correct du lave-vaisselle.



4. Répéter ces opérations pour l'autre côté du lave-vaisselle.

REMARQUE : Pour éviter tout déplacement des cales durant le fonctionnement du lave-vaisselle, il est nécessaire de fixer fermement les cales au plancher.

5. Placer le niveau contre la partie supérieure de la cuve, à l'avant; vérifier l'aplomb transversal de l'appareil. Si le lave-vaisselle n'est pas d'aplomb, ajuster la hauteur des pieds réglables avant pour établir l'aplomb.



Raccordement électrique

Voir la section "Spécifications électriques".

On doit disposer :

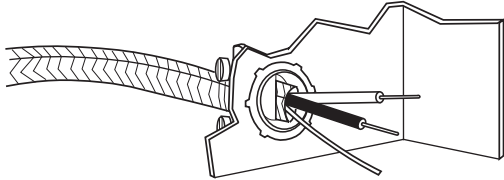
- d'une source d'électricité appropriée, et d'une liaison à la terre selon la méthode recommandée.

Si vous êtes :

- pour le câblage direct, utiliser l'option 1.
- pour l'alimentation par un cordon d'alimentation, utiliser l'option 2.

Option 1 - Câblage direct

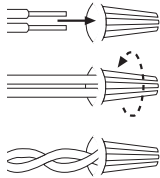
1. Acheminer le câble d'alimentation de telle manière qu'il ne touche pas le moteur du lave-vaisselle ni la partie inférieure de la cuve du lave-vaisselle.



2. Insérer les conducteurs du câble dans la boîte de connexion, à travers le trou.

Conseil utile :

- Sélectionner des connecteurs de fils de taille appropriée pour le raccordement des conducteurs de l'appareil (calibre 16) au câblage de la maison.
 - Insérer les extrémités des conducteurs dans le connecteur. Ne pas pré-torsader les conducteurs nus.
 - Visser le connecteur.
 - Tirer doucement sur les conducteurs pour vérifier la solidité de la connexion.
3. Utiliser des connecteurs de fils de taille appropriée pour le raccordement des conducteurs de l'appareil (calibre 16) au câblage de la maison, et réaliser les raccordements comme suit :



Câble d'alimentation		Conducteur dans la boîte de connexion
blanc	↔	blanc
noir	↔	noir
Liaison à la terre	↔	Connecteur de liaison à la terre vert

⚠ AVERTISSEMENT



Risque de choc électrique

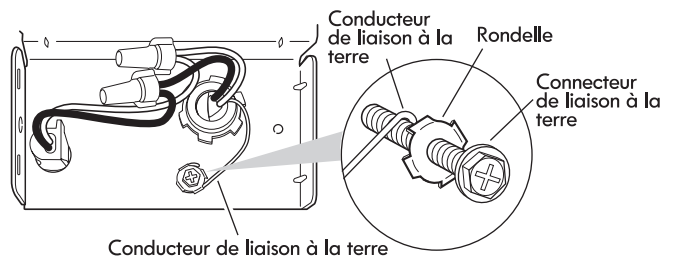
Relier le lave-vaisselle à la terre d'une méthode électrique.

Brancher le fil relié à la terre au connecteur vert relié à la terre dans la boîte de la borne.

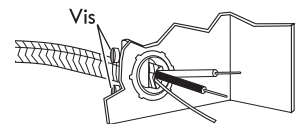
Ne pas utiliser un câble de rallonge.

Le non-respect de ces instructions peut causer un décès, un incendie ou un choc électrique.

4. Former un crochet en U avec le conducteur nu de liaison à la terre; placer le crochet du conducteur de liaison à la terre (dans le sens horaire) autour du connecteur de liaison à la terre et sous la rondelle.
5. Serrer fermement le connecteur de liaison à la terre.

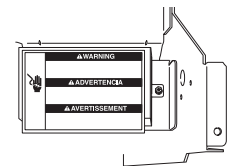


6. Serrer les vis de bridage du serre-câble ou du connecteur de conduit.



7. Réinstaller le couvercle de la boîte de connexion – enfermer les conducteurs à l'intérieur de la boîte.

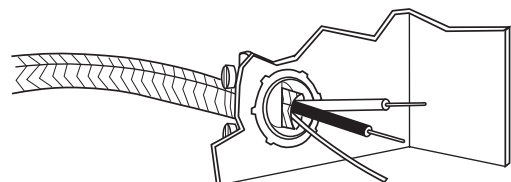
Le couvercle doit être placé à l'extérieur de la boîte de connexion, sur le côté gauche.



8. Veiller à ce qu'aucun conducteur ne soit coincé entre le couvercle et la boîte.

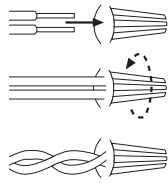
Option 2, Raccordement par cordon d'alimentation

1. Acheminer le cordon d'alimentation de telle manière qu'il ne touche pas le moteur du lave-vaisselle ni la partie inférieure de la cuve du lave-vaisselle.
2. Insérer le câble de raccordement direct dans la boîte de connexion, à travers le trou.



Conseil utile :

- Sélectionner des connecteurs de fils de taille appropriée pour le raccordement des conducteurs de l'appareil (calibre 16) au câblage de la maison.
 - Insérer les extrémités des conducteurs dans le connecteur homologué UL/CSA. Ne pas pré-torsader les conducteurs nus.
 - Visser le connecteur.
 - Tirer doucement sur les conducteurs pour vérifier la solidité de la connexion.
3. Utiliser des connecteurs de fils de taille appropriée pour le raccordement des conducteurs de l'appareil (calibre 16) au cordon d'alimentation électrique, et réaliser les raccordements comme suit :



Câble d'alimentation	Conducteur dans la boîte de connexion
blanc ↔ blanc	
noir ↔ noir	
Liaison à la terre ↔	Connecteur de liaison à la terre vert

⚠ AVERTISSEMENT



Risque de choc électrique

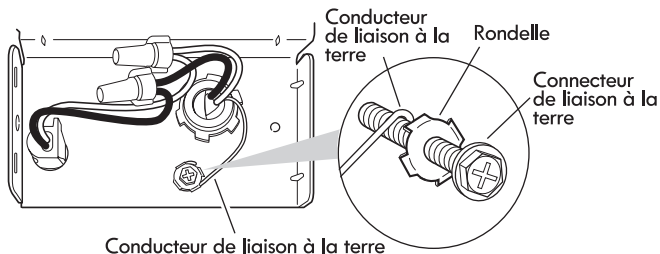
Relier le lave-vaisselle à la terre d'une méthode électrique.

Brancher le fil relié à la terre au connecteur vert relié à la terre dans la boîte de la borne.

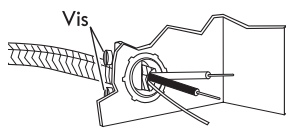
Ne pas utiliser un câble de rallonge.

Le non-respect de ces instructions peut causer un décès, un incendie ou un choc électrique.

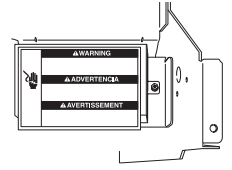
4. Former un crochet en U avec le conducteur nu de liaison à la terre; placer le crochet du conducteur de liaison à la terre (dans le sens horaire) autour du connecteur de liaison à la terre et sous la rondelle.
5. Serrer fermement le connecteur de liaison à la terre.



6. Serrer les vis de bridage du serre-câble ou du connecteur de conduit.



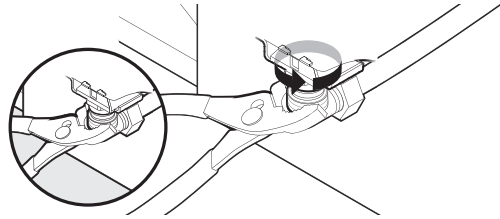
7. Réinstaller le couvercle de la boîte de connexion – enfermer les conducteurs à l'intérieur de la boîte. Le couvercle doit être placé à l'extérieur de la boîte de connexion, sur le côté gauche.



8. Veiller à ce qu'aucun conducteur ne soit coincé entre le couvercle et la boîte.
9. Ne pas brancher le cordon du lave-vaisselle dans une prise avant que les instructions ne le précisent.
10. Vérifier l'absence de tout contact entre le cordon d'alimentation et le moteur du lave-vaisselle ou la partie inférieure de la cuve du lave-vaisselle.

Raccordement à la canalisation d'eau

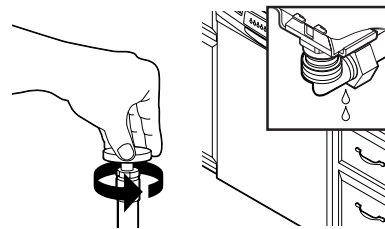
1. Raccorder le raccord coudé de 90° à la valve.



S'assurer que la rondelle de caoutchouc est correctement installée dans le raccord. Enfiler le raccord de 3/4" vers le haut jusqu'à la valve et serrer à la main afin d'éviter de fausser le filetage. Serrer à la main jusqu'à ce que le raccord soit serré. À l'aide d'une pince, vérifier l'étanchéité du raccord. 1/4 à 1/2 tour supplémentaire peut s'avérer nécessaire pour créer l'étanchéité du joint de caoutchouc.

REMARQUE : Ne pas trop serrer. Le raccord risque d'être endommagé.

2. Vérifier l'absence de fuites.

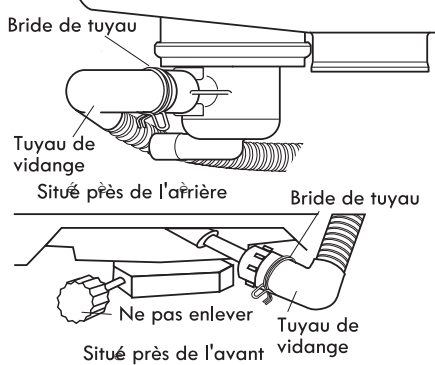


Placer une serviette de papier sous le raccord coudé de 90°. Ouvrir l'alimentation en eau et inspecter pour identifier toute fuite. Si une fuite se produit, répéter l'étape précédente.

Raccordement à la canalisation d'évacuation

1. Pour minimiser toute vibration, acheminer le conduit d'évacuation de telle manière qu'il n'y ait aucun contact avec le moteur, les ressorts de la porte, la canalisation d'eau, le placard, le plancher ou la circonférence du trou de passage à travers la paroi du placard.
2. Placer un plat peu profond sous l'extrémité du connecteur de tuyau de vidange. Le plat récupérera l'eau accumulée dans le tuyau de vidange.
3. Enlever le bouchon du tuyau de vidange.

- Placer la bride du tuyau de vidange sur le connecteur de tuyau de vidange.



REMARQUE : Selon votre modèle, le raccord d'évacuation peut se situer à l'arrière ou à l'avant du lave-vaisselle.

Quel que soit son emplacement, raccorder le tuyau de vidange au connecteur du tuyau de vidange de la façon suivante :

- Mettre la bride à ressort du tuyau de vidange sur le connecteur du tuyau de vidange.
- Insérer le tuyau de vidange sur le connecteur de tuyau de vidange.
- Utiliser une pince pour ouvrir la bride située sur le tuyau de vidange et le connecteur du tuyau de vidange. Insérer le tuyau de vidange sur le connecteur aussi loin que possible.
- Dégager la bride. Vérifier que le tuyau de vidange est fixé solidement.

REMARQUE : Si une bride à visser est utilisée au lieu d'une bride à ressort, utiliser une tourne-écrou de $\frac{5}{16}$ " pour bien fixer le connecteur du tuyau de vidange au tuyau de vidange.

Immobilisation du lave-vaisselle dans l'espace d'installation

AVERTISSEMENT



Risque de basculement

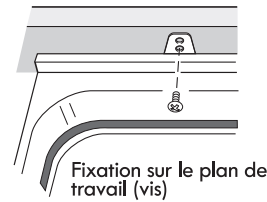
Ne pas utiliser le lave-vaisselle jusqu'à ce qu'il soit complètement installé.

Ne pas appuyer sur la porte ouverte.

Le non-respect de ces instructions peut causer des blessures graves ou des coupures.

- Si ce n'est pas déjà fait, ouvrir la porte du lave-vaisselle et placer une serviette au-dessus de l'ensemble pompe/bras d'aspersion du lave-vaisselle. Ceci empêchera les vis de tomber autour de la pompe si vous les faites glisser involontairement lorsque vous fixez le lave-vaisselle au plan de travail.

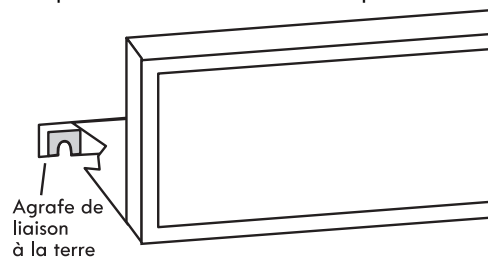
- Contrôler le bon aplomb du lave-vaisselle, et le centrage latéral de l'appareil dans l'ouverture.
- Assujettir le lave-vaisselle au plan de travail ou aux côtés des placards avec deux vis Phillips n° 10 x $\frac{1}{2}$ ". Il faut que le lave-vaisselle soit immobilisé pour qu'il ne bascule pas lors de l'ouverture de la porte.



- Entrouvrir la porte d'environ 3" (7,6 cm); vérifier que l'espace entre la doublure interne de la porte et la cuve est identique des deux côtés. Si l'espace n'est pas identique des deux côtés, desserrer les vis des brides d'arrimage et déplacer légèrement la cuve. Resserrer les vis.
- Vérifier que le sommet de la porte n'est pas en contact avec les vis, les brides ou le plan de travail. S'il y a un contact, on doit abaisser le lave-vaisselle puis établir de nouveau l'aplomb de l'appareil.
- Retirer la serviette du lave-vaisselle.
- Réinstaller le panier à vaisselle inférieur.

Dernières opérations de l'installation

- Vérifier que l'agrafe de liaison à la terre est fixée sur le panneau inférieur.
- Commencer à visser les vis dans les trous du panneau inférieur du lave-vaisselle. Ne pas serrer.
- Placer le panneau inférieur derrière le panneau d'accès.



- Faire glisser le panneau inférieur vers le bas, sur les vis.
- Maintenir les 2 panneaux ensemble et les placer contre le pied du lave-vaisselle.
- Réinstaller le panneau d'accès sur le lave-vaisselle.
- Réinstaller les vis dans les trous du panneau d'accès et les fentes du panneau inférieur. Installer d'abord la vis du côté droit.
- Vérifier que le bord inférieur du panneau inférieur est en contact avec le sol.
- Serrer les vis.

Alimentation de l'appareil par câblage direct :

⚠ AVERTISSEMENT



Risque de choc électrique

Relier le lave-vaisselle à la terre d'une méthode électrique.

Brancher le fil relié à la terre au connecteur vert relié à la terre dans la boîte de la borne.

Ne pas utiliser un câble de rallonge.

Le non-respect de ces instructions peut causer un décès, un incendie ou un choc électrique.

Alimentation de l'appareil par cordon d'alimentation :

⚠ AVERTISSEMENT



Risque de choc électrique

Brancher sur une prise à 3 alvéoles reliée à la terre.

Ne pas enlever la broche de liaison à la terre.

Ne pas utiliser un adaptateur.

Ne pas utiliser un câble de rallonge.

Le non-respect de ces instructions peut causer un décès, un incendie ou un choc électrique.

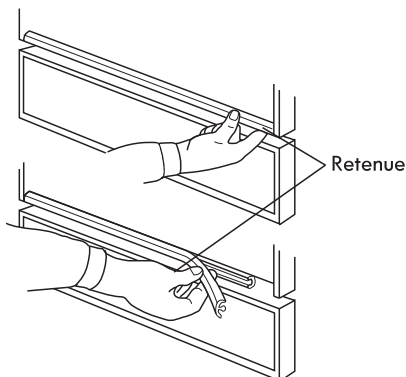
10. Rebrancher l'appareil ou reconnecter la source de courant électrique.

Changement de la couleur du panneau de la porte

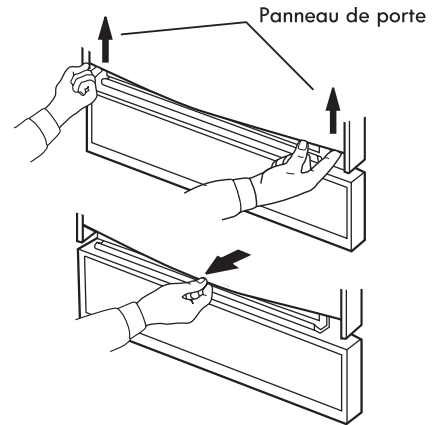
(Pour les modèles ainsi équipés.)

REMARQUE: Si votre modèle comporte des panneaux de porte de couleur en plastique, les deux côtés du panneau sont de la même couleur.

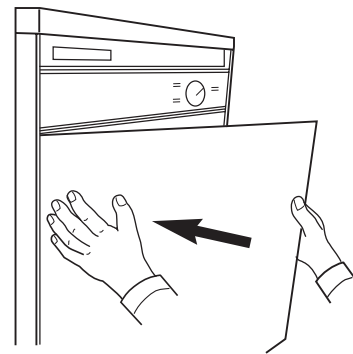
1. Manipuler les panneaux prudemment. Insérer le doigt sous une extrémité de la moulure de retenue, puis tirer la moulure de retenue vers soi et la mettre de côté.



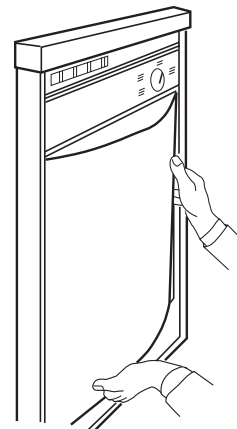
2. Soulever chaque extrémité du panneau de porte. À l'aide d'une main, cintrer le panneau inférieur. Enlever le panneau. Ne pas enlever la plaque d'espacement.



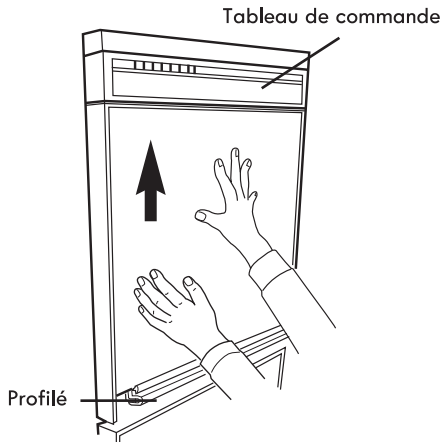
3. Insérer un côté du panneau de porte dans l'encadrement de la porte, la couleur désirée étant orientée vers l'extérieur.



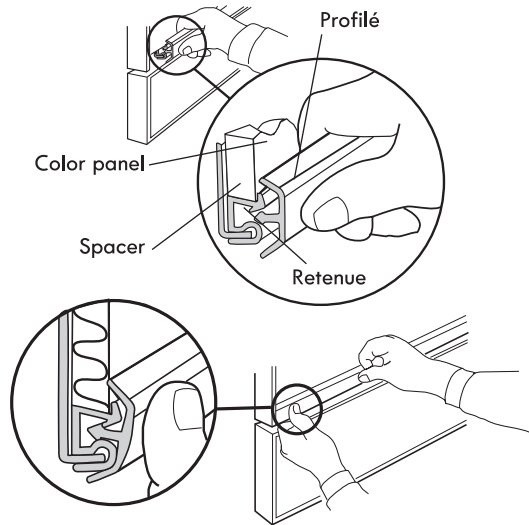
4. Cintrer le panneau et insérer l'autre côté dans l'encadrement de porte.



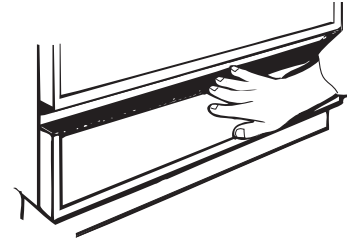
5. Pousser le panneau vers le haut et insérer le panneau et la plaque d'espacement dans la moulure inférieure du tableau de commande, en faisant reposer le panneau dans le profilé au bas de la porte.



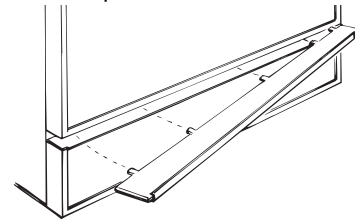
6. Emboîter l'extrémité de la moulure de retenue dans le profilé, tel qu'illustré. Pousser en faisant glisser le pouce sur toute la longueur de la moulure de retenue.



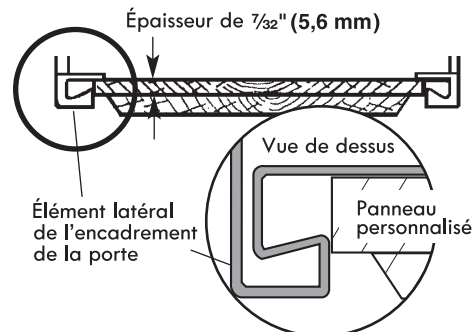
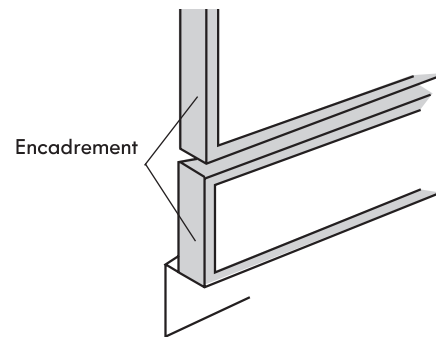
3. La couleur désirée étant orientée vers l'extérieur, cintrer le panneau et l'insérer dans l'encadrement du panneau. Faire glisser le panneau vers le bas pour qu'il s'engage dans la rainure en bas de l'encadrement du panneau d'accès.



4. Aligner les bords de la garniture supérieure avec les côtés de l'encadrement du panneau d'accès. Incliner l'arrière de la garniture vers le bas et la faire glisser jusqu'à sa position finale. Emboîter l'avant de la garniture pour qu'elle recouvre le bord supérieur du panneau de l'ouverture d'accès.

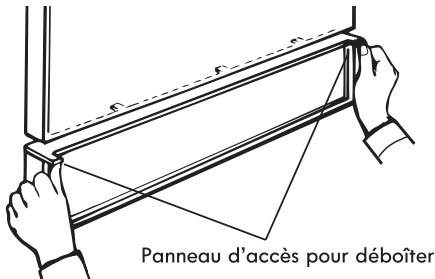


Panneaux de porte et d'accès personnalisés

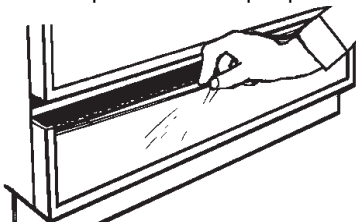


Changement de la couleur du panneau d'accès

1. Manipuler le panneau prudemment. Pousser vers le haut avec le pouce, de chaque côté de la garniture du panneau d'accès pour déboîter la garniture. Retirer la garniture et la mettre de côté.



2. Faire prudemment glisser le panneau coloré d'accès vers le haut et le retirer. Ne pas enlever la plaque d'espacement.



IMPORTANT: Vos panneaux de porte et d'accès doivent comporter un encadrement.

Pour les panneaux de porte personnalisés d'un poids inférieur à 1,8 kg (4 lb), utiliser les ressorts de porte fournis avec le lave-vaisselle. Pour les panneaux de porte personnalisés d'un poids supérieur à 1,8 kg (4 lb), vous devez utiliser l'ensemble de ressorts de service rigoureux, Pièce N° 4318050. Le poids maximal du panneau de porte est de 3,6 kg (8 lb).

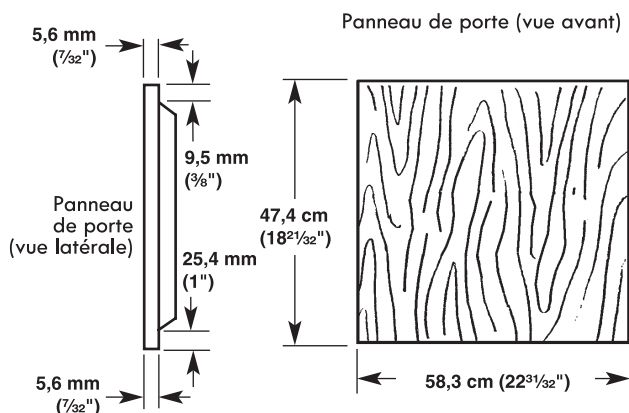
Il est possible d'installer sur le lave-vaisselle un panneau de porte et un panneau d'accès (pour les modèles ainsi équipés) personnalisés assortis aux portes en bois des placards. On peut utiliser sans modification un panneau en bois standard de 6 mm (1/4")*, pour la porte et le panneau d'accès. Du fait de la précision nécessaire des dimensions, on recommande que ces panneaux soient découpés par un ébéniste.

- Découper les panneaux en bois, de telle manière que l'orientation du grain du bois corresponde à celle du grain des portes des placards.
- Limer et poncer les bords des panneaux en bois pour éviter les éclats.
- Le lave-vaisselle est source d'humidité. Appliquer un bouche-pores résistant à l'humidité sur les deux faces et sur les bords des panneaux en bois.
- Découper le panneau de porte avec précision pour qu'il soit bien serré dans l'encadrement de la porte.

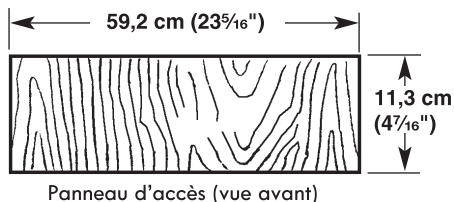
* Épaisseur réelle de $\frac{7}{32}$ " (5,6 mm).

Dimensions du panneau personnalisé

Ces panneaux ne conviennent que pour les modèles comportant un encadrement autour des panneaux de porte et d'accès.



REMARQUE : Le panneau d'accès est plus large que le panneau de porte



Épaisseur de 5,6 mm ($\frac{7}{32}$ ") sur les bords, réalisée par usinage.

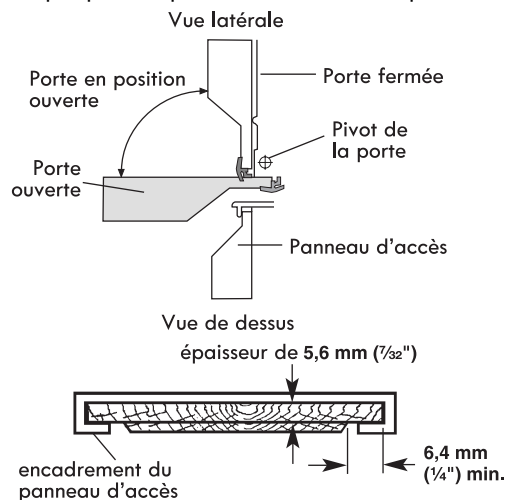
Usinage des panneaux personnalisés

Découper le panneau de porte de manière à ce qu'il ne touche pas le panneau d'accès lorsque la porte est en position ouverte.

Panneau de porte personnalisé d'épaisseur supérieure à $\frac{7}{32}$ " (5,6 mm) : Usiner les bords supérieur et inférieur pour obtenir une épaisseur de 5,6 mm ($\frac{7}{32}$ ").

Panneau d'accès personnalisé d'épaisseur supérieure à $\frac{7}{32}$ " (5,6 mm) : Usiner les quatre bords pour obtenir une épaisseur de $\frac{7}{32}$ " (5,6 mm).

Panneaux personnalisés d'épaisseur inférieure à $\frac{7}{32}$ " (5,6 mm) : Installer une plaque d'espacement derrière les panneaux.



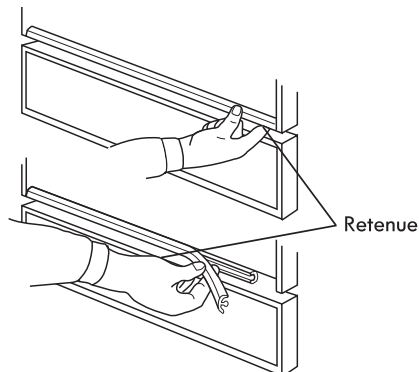
Installation des panneaux en bois personnalisés - porte et ouverture d'accès

1. Découper les panneaux de bois de la porte de l'ouverture d'accès selon les dimensions spécifiées, de telle manière que l'orientation du grain du bois corresponde à celle du placard.
2. Limer et poncer les bords des panneaux en bois pour éviter les éclats.

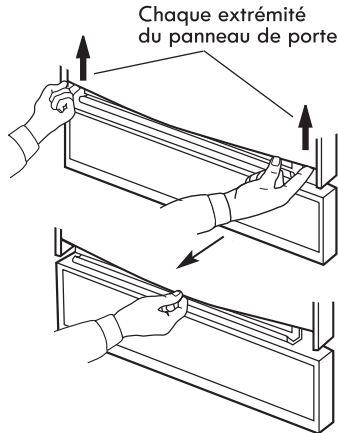
Le lave-vaisselle est source d'humidité. Appliquer un bouche-pores résistant à l'humidité sur les deux faces et sur les bords des panneaux en bois.

3. Panneau de porte :

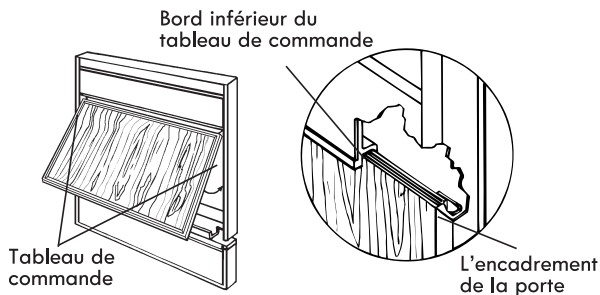
Manipuler les panneaux prudemment. Insérer le doigt sous une extrémité de la moulure de retenue, puis tirer la moulure de retenue vers soi et la mettre de côté.



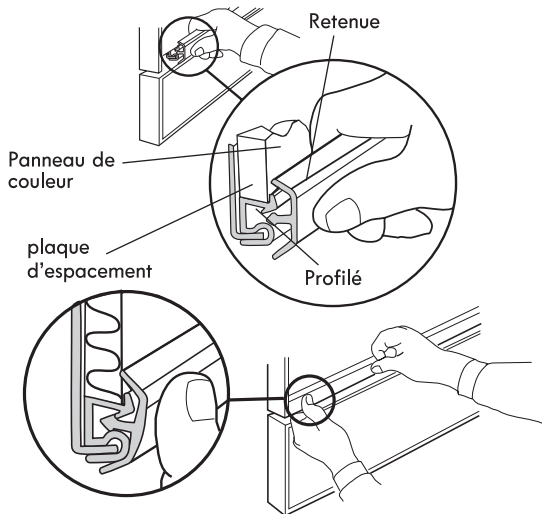
4. Soulever chaque extrémité du panneau de porte. À l'aide d'une main, cintrer le panneau inférieur. Enlever le panneau et la plaque d'espacement et les conserver pour usage futur.



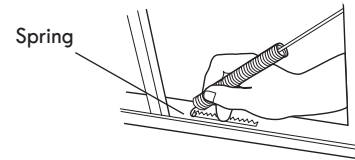
5. Insérer le bord supérieur du panneau en bois entre les éléments latéraux de l'encadrement de la porte, à environ 3" (7,5 cm) sous le tableau de commande. Faire pivoter le panneau en bois vers le bas, pour l'amener en contact avec la porte du lave-vaisselle. Faire glisser le bord supérieur du panneau en bois sous le bord inférieur du tableau de commande. Pousser le bas du panneau en bois pour l'insérer entre les éléments latéraux de l'encadrement de la porte, en faisant reposer le panneau de porte en bois dans le profilé U.



6. Emboîter l'extrémité de la moulure de retenue dans le profilé U, tel qu'illustré. Pousser en faisant glisser le pouce sur toute la longueur de la moulure de retenue.

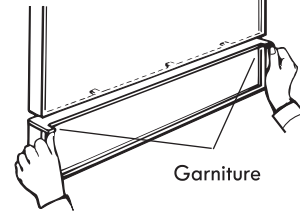


7. Vérifier le fonctionnement de la porte. Elle devrait se fermer facilement, sans effort, et ne pas s'ouvrir sous l'effet de son propre poids. S'il est nécessaire de régler les ressorts de la porte, fermer la porte, et modifier la position d'ancrage de l'extrémité des ressorts (dans les fentes prévues à cet effet à la base du lave-vaisselle).

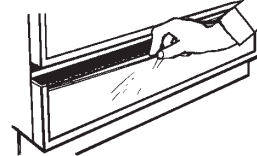


8. Panneau d'accès :

Pousser vers le haut avec les pouces de chaque côté de la garniture supérieure du panneau d'accès pour déboîter la garniture. Retirer la garniture et la mettre de côté.

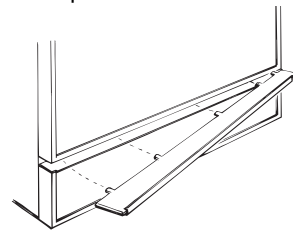


9. Faire glisser prudemment le panneau coloré vers le haut pour le retirer. Conserver le panneau coloré et la plaque d'espacement pour utilisation ultérieure.



10. Insérer le panneau en bois dans l'encadrement du panneau d'accès. Faire glisser le panneau vers le bas pour qu'il s'engage dans la rainure de l'élément inférieur de l'encadrement. Pour l'installation de certains panneaux en bois, il peut être nécessaire d'ôter les deux vis de montage supérieur et d'incliner le panneau vers l'avant.

11. Aligner les bords de la garniture supérieure avec les côtés de l'encadrement du panneau d'accès. Incliner l'arrière de la garniture vers le bas et la faire glisser jusqu'à sa position finale. Emboîter l'avant de la garniture pour qu'elle recouvre le bord supérieur du panneau d'accès.



Contrôle du fonctionnement

1. Lire le manuel d'utilisation et d'entretien fourni avec l'appareil.
2. Vérifier que toutes les pièces ont été installées et qu'aucune étape n'a été omise.
3. Vérifier la présence de tous les outils utilisés.
4. Mettre le lave-vaisselle en marche et commander l'exécution complète du programme de lavage le plus court. Après les deux premières minutes, déverrouiller la porte; attendre cinq secondes, puis ouvrir la porte.
5. Vérifier qu'il y a bien de l'eau au fond de la cuve du lave-vaisselle. Vérifier que le lave-vaisselle fonctionne correctement.
6. Si ce n'est pas le cas, déconnecter la source de courant électrique ou débrancher le lave-vaisselle et voir la section "Si le lave-vaisselle ne fonctionne pas".

Si le lave-vaisselle ne fonctionne pas

Essayer d'abord les solutions suggérées ici pour éviter le coût d'une intervention de dépannage.

- Disjoncteur ouvert ou fusible grillé?
- Porte bien fermée et verrouillée?
- Sélection correcte du programme sur l'appareil?
- Arrivée d'eau ouverte?

Si ces contrôles ne permettent pas de résoudre l'anomalie, téléphoner 1-800-253-1301 o Canada 1-800-807-6777.