



UPRIGHT FREEZER

Use & Care Guide

For questions about features, operation/performance, parts or service, call: **1-800-253-1301**.

In Canada, call for assistance **1-800-807-6777**,

or visit our website at...

www.whirlpool.com or www.whirlpool.com/canada

CONGÉLATEUR VERTICAL

Guide d'utilisation et d'entretien

Au Canada, pour assistance, composez le **1-800-807-6777**.

ou visitez notre site web www.whirlpool.com/canada

Table of Contents/Table des matières 2

TABLE OF CONTENTS

FREEZER SAFETY	3	FREEZER FEATURES	10
Proper Disposal of Your Old Freezer or Refrigerator	3	Refrigerated Shelves	10
INSTALLATION INSTRUCTIONS	4	Door Bin	11
Unpacking	4	Storage Basket	11
Location Requirements	4	Storage Gate.....	11
Electrical Requirements	5	FREEZER CARE	11
Water Supply Requirements.....	5	Cleaning Your Frost-Free Freezer	11
Connect the Water Supply	6	Base Grille.....	12
Freezer Door	6	Defrosting and Cleaning Your Manual Defrost Freezer	12
Adjust the Door.....	9	Changing the Light Bulb.....	13
FREEZER USE	9	Power Interruptions	13
Ensuring Proper Air Circulation	9	Moving Care	13
Using the Control	9	TROUBLESHOOTING	13
Indicator Light	10	ASSISTANCE OR SERVICE	15
Key Eject Lock	10	WARRANTY	16
Ice Maker	10		

TABLE DES MATIÈRES

SÉCURITÉ DU CONGÉLATEUR	17	Machine à glaçons.....	24
Mise au rebut appropriée de votre vieux congélateur ou réfrigérateur	17	CARACTÉRISTIQUES DU CONGÉLATEUR	25
INSTRUCTIONS D'INSTALLATION	18	Clayettes de réfrigération	25
Déballage	18	Balconnet de porte	25
Emplacement d'installation	18	Panier d'entreposage	25
Spécifications électriques.....	19	Barrière d'entreposage.....	25
Spécifications de l'alimentation en eau.....	19	ENTRETIEN DU CONGÉLATEUR	25
Raccordement de la canalisation d'alimentation en eau	19	Nettoyage du congélateur sans givre	25
Porte du congélateur	20	Grille de la base	26
Ajustement de porte	23	Dégivrage et nettoyage du congélateur à dégivrage manuel.....	26
UTILISATION DU CONGÉLATEUR	23	Remplacement de l'ampoule d'éclairage.....	27
Pour s'assurer d'une circulation d'air appropriée	23	Pannes de courant électrique.....	27
Utilisation de la commande	23	Déménagement	27
Témoin indicateur	24	DÉPANNAGE	28
Serrure à clé séparée.....	24	ASSISTANCE OU SERVICE	30
		GARANTIE	31

FREEZER SAFETY

Your safety and the safety of others are very important.

We have provided many important safety messages in this manual and on your appliance. Always read and obey all safety messages.



This is the safety alert symbol.

This symbol alerts you to potential hazards that can kill or hurt you and others.

All safety messages will follow the safety alert symbol and either the word "DANGER" or "WARNING."

These words mean:

⚠ DANGER

You can be killed or seriously injured if you don't immediately follow instructions.

⚠ WARNING

You can be killed or seriously injured if you don't follow instructions.

All safety messages will tell you what the potential hazard is, tell you how to reduce the chance of injury, and tell you what can happen if the instructions are not followed.

IMPORTANT SAFETY INSTRUCTIONS

WARNING: To reduce the risk of fire, electric shock, or injury when using your freezer, follow these basic precautions:

- Plug into a grounded 3 prong outlet.
- Do not remove ground prong.
- Do not use an adapter.
- Do not use an extension cord.
- Disconnect power before servicing.
- Replace all parts and panels before operating.
- Use nonflammable cleaner.
- Keep flammable materials and vapors, such as gasoline, away from freezer.
- Use two or more people to move and install freezer.
- Keep key away from children.
- Remove doors or lid from your old freezer or refrigerator.
- Disconnect power before installing ice maker (on ice maker kit ready models only).

SAVE THESE INSTRUCTIONS

Proper Disposal of Your Old Freezer or Refrigerator

⚠ WARNING

Suffocation Hazard

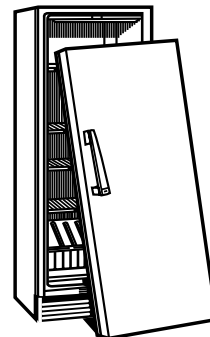
Remove doors or lid from your old freezer or refrigerator.

Failure to do so can result in death or brain damage.

IMPORTANT: Child entrapment and suffocation are not problems of the past. Junked or abandoned freezers or refrigerators are still dangerous... even if they will sit for "just a few days." If you are getting rid of your old refrigerator or freezer, please follow these instructions to help prevent accidents.

Before You Throw Away Your Old Freezer or Refrigerator:

- Take off the doors or lid.
- Leave the shelves in place so that children may not easily climb inside.



INSTALLATION INSTRUCTIONS

Unpacking

⚠ WARNING

Excessive Weight Hazard

Use two or more people to move and install freezer.
Failure to do so can result in back or other injury.

Remove Packaging Materials

- Remove tape and glue residue from surfaces before turning on the freezer. Rub a small amount of liquid dish soap over the adhesive with your fingers. Wipe with warm water and dry.
- Do not use sharp instruments, rubbing alcohol, flammable fluids, or abrasive cleaners to remove tape or glue. These products can damage the surface of your freezer. For more information, see "Freezer Safety."

When Moving Your Freezer:

Your freezer is heavy. When moving the freezer for cleaning or service, be sure to cover the floor with cardboard or hardboard to avoid floor damage. Always pull the freezer straight out when moving it. Do not wiggle or "walk" the freezer when trying to move it, as floor damage could occur.

Clean Before Using

After you remove all of the packaging materials, clean the inside of your freezer before using it. See the cleaning instructions in "Freezer Care."

Important information to know about glass shelves and covers:

Do not clean glass shelves or covers with warm water when they are cold. Shelves and covers may break if exposed to sudden temperature changes or impact, such as bumping. Tempered glass is designed to shatter into many small, pebble-size pieces. This is normal. Glass shelves and covers are heavy. Use both hands when removing them to avoid dropping.

Location Requirements

⚠ WARNING



Explosion Hazard

Keep flammable materials and vapors, such as gasoline, away from freezer.

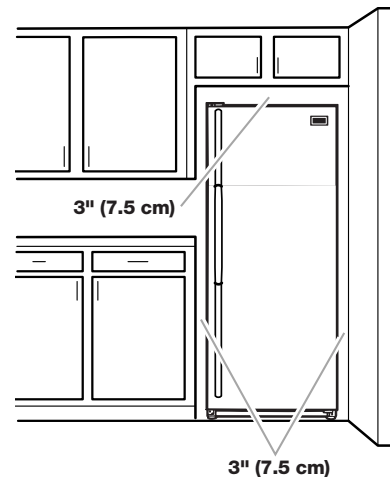
Failure to do so can result in death, explosion, or fire.

IMPORTANT: Do not install the freezer near an oven, radiator, or other heat source, nor in a location where the temperature will fall below 40°F (5°C).

Check the strength of the floor before installing your freezer. It should hold the weight of a freezer fully loaded with food.

Allow at least 3" (7.5 cm) of air space at the top and on both sides of the freezer and 1" (2.5 cm) between the back of the freezer and the wall. If the freezer is to be against a wall, leave extra space on the hinge side so the door can open wider.

NOTE: This freezer may be installed side by side with another refrigerator or freezer. Allow for a 3" (7.5 cm) clearance at the top and sides and a ¼" (0.64 cm) clearance between the appliances.



Electrical Requirements

⚠ WARNING



Electrical Shock Hazard

Plug into a grounded 3 prong outlet.

Do not remove ground prong.

Do not use an adapter.

Do not use an extension cord.

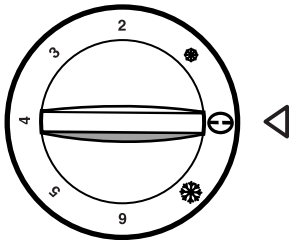
Failure to follow these instructions can result in death, fire, or electrical shock.

Before you move your freezer into its final location, it is important to make sure you have the proper electrical connection.

Recommended grounding method

A 115 Volt, 60 Hz., AC only, 15- or 20-amp fused, grounded electrical supply is required. It is recommended that a separate circuit serving only your freezer be provided. Use an outlet that cannot be turned off by a switch. Do not use an extension cord.

NOTE: Before performing any type of installation, cleaning, or removing a light bulb, turn the Temperature Control to the OFF position as shown and then disconnect the freezer from the electrical source.



Water Supply Requirements

(on some models)

Read all directions before you begin.

IMPORTANT:

- If you turn the freezer on before the water line is connected, turn the ice maker OFF.
- All installations must meet local plumbing code requirements.
- Use plastic tubing and check for leaks. Install plastic tubing only in areas where temperatures will remain above freezing.

TOOLS NEEDED: Flat-blade screwdriver, $\frac{7}{16}$ " and $\frac{1}{2}$ " open-end wrenches or two adjustable wrenches, $\frac{1}{4}$ " nut driver, drill bit and a cordless drill.

NOTE: Your freezer dealer has a kit available with a $\frac{1}{4}$ " (6.35 mm) saddle-type shutoff valve, a union, and plastic tubing. Before purchasing, make sure a saddle-type valve complies with your local plumbing codes. Do not use a piercing-type or $\frac{3}{16}$ " (4.76 mm) saddle valve which reduces water flow and clogs more easily.

Water Pressure

A cold water supply with water pressure of between 30 and 120 psi (207 to 827 kPa) is required to operate the water dispenser and ice maker. If you have questions about your water pressure, see "Troubleshooting" or call a licensed, qualified plumber.

Reverse Osmosis Water Supply

If a reverse osmosis water filtration system is connected to your cold water supply, the water pressure to the system needs to be a minimum of 40 to 60 psi (276 to 414 kPa).

If the water pressure to the reverse osmosis system is less than 40 to 60 psi (276 to 414 kPa), a booster pump can be inserted into the small tubing that goes from the cold water line to the reverse osmosis system.

If the water dispenser is still not dispensing water properly:

- Check to see whether the sediment filter in the reverse osmosis system is blocked. Replace the filter if necessary.
- Allow the storage tank on the reverse osmosis system to refill after heavy usage.
- If your refrigerator has a water filter, it may further reduce the water pressure when used in conjunction with a reverse osmosis system. Remove the water filter.

If you have questions about your water pressure, refer to "Troubleshooting" or call a licensed, qualified plumber.

Connect the Water Supply

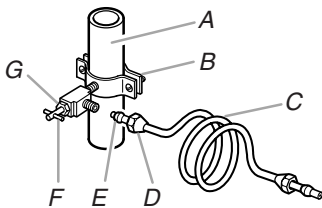
(on some models)

Connect to Water Line

1. Unplug freezer or disconnect power.
2. Turn OFF main water supply. Turn ON nearest faucet long enough to clear line of water.
3. Locate a ½" to 1¼" (12.7 mm to 3.18 cm) vertical cold water pipe near the freezer.

IMPORTANT:

- Make sure it is a cold water pipe.
 - Horizontal pipe will work, but drill on the top side of the pipe, not the bottom. This will help keep water away from the drill and normal sediment from collecting in the valve.
4. Determine the length of plastic tubing you need. Measure from the connection on the lower left rear of freezer to the water pipe. Add 7 ft (2.1 m) to allow for cleaning. Use ¼" (6.35 mm) O.D. (outside diameter) plastic tubing. Be sure both ends of plastic tubing are cut square.
 5. Using a cordless drill, drill a ¼" (6.35 mm) hole in the cold water pipe you have selected.



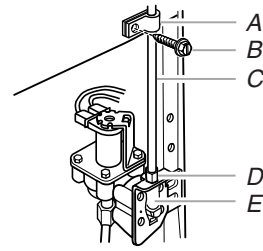
A. Cold water pipe
B. Pipe clamp
C. Copper tubing
D. Compression nut
E. Compression sleeve
F. Shutoff valve
G. Packing nut

6. Fasten the shutoff valve to the cold water pipe with the pipe clamp. Be sure the outlet end is solidly in the ¼" (6.35 mm) drilled hole in the water pipe and that the washer is under the pipe clamp. Tighten the packing nut. Tighten the pipe clamp screws slowly and evenly so washer makes a watertight seal. Do not overtighten or you may crush the plastic tubing.
7. Slip the compression sleeve and compression nut on the plastic tubing as shown. Insert the end of the tubing into the outlet end squarely as far as it will go. Screw compression nut onto outlet end with adjustable wrench. Do not overtighten.
8. Place the free end of the tubing in a container or sink, and turn ON the main water supply. Flush the tubing until water is clear. Turn OFF the shutoff valve on the water pipe. Coil the plastic tubing.

Connect to Freezer

1. Attach the plastic tube to the valve inlet using a compression nut and sleeve as shown. Tighten the compression nut. Do not overtighten.
2. Use the tube clamp on the back of the freezer to fasten the tubing to the freezer as shown. This will help avoid damage to the tubing when the freezer is pushed back against the wall.
3. Turn shutoff valve ON.

4. Check for leaks. Tighten any connections (including connections at the valve) or nuts that leak.



A. Tube clamp
B. Tube clamp screw
C. Plastic tubing
D. Compression nut
E. Valve inlet

5. The ice maker is equipped with a built-in water strainer. If your water conditions require a second water strainer, install it in the ¼" (6.35 mm) water line at either tube connection. Obtain a water strainer from your nearest appliance dealer.

⚠ WARNING



Electrical Shock Hazard

Plug into a grounded 3 prong outlet.

Do not remove ground prong.

Do not use an adapter.

Do not use an extension cord.

Failure to follow these instructions can result in death, fire, or electrical shock.

6. Plug into a grounded 3 prong outlet.

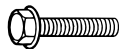
Freezer Door

TOOLS NEEDED: ⅝" hex head socket wrench, ⅝" hex head socket wrench, ¼" hex head socket wrench, ½" hex head socket wrench, ⅜" hex head socket wrench, #2 Phillips screwdriver, flat-blade screwdriver, ⅝" open-end wrench, flat 2" putty knife.

IMPORTANT:

- All graphics referenced in the following instructions are included later in this section after "Final Steps." The graphics shown are for a right-hand swing door (hinges factory installed on the right).
- If you only want to remove and replace the door, see the "Remove Door and Hinges" and "Replace Door and Hinges."
- Before you begin, turn the control OFF, and remove food and adjustable door or utility bins from door.

Remove Door and Hinges



5/16" Hex Head Hinge Screw

1. Unplug freezer or disconnect power.
2. Open freezer door and remove base grille from the bottom front of the freezer. See Base Grille Graphic 1A.
3. Close the freezer door and keep it closed until you are ready to lift it free from the cabinet.
NOTE: Provide additional support for the door while the hinges are being moved. Do not depend on the door magnets to hold the door in place while you are working.
4. Remove the parts for the top hinge as shown in Top Hinge Graphic 1B.
5. Lift the freezer door free from the lower hinge and cabinet and set aside.
6. Remove three hex head hinge screws and bottom hinge assembly. See Bottom Hinge Graphic 1C.

Reverse Door (optional on some models)

IMPORTANT: If you want to reverse your door so that it opens in the opposite direction, continue with "Reverse Door (optional on some models)" instructions. If you are not reversing the door, see "Replace Door and Hinges."

Cabinet

1. Remove the cabinet hinge hole plugs from the cabinet top and move them to the opposite side hinge holes as shown in Graphic 2.
2. Remove the door stop screws from the Bottom Hinge bracket. See Bottom Hinge Graphic 1C.
3. Remove the Hinge Pin Nut and Hinge Pin from the hinge bracket.
4. Rotate the hinge bracket for installation on the opposite side of the cabinet. See Graphic 3.
5. Reinstall the Hinge Pin Nut and Hinge Pin to the hinge bracket. Hinge Pin must point "up" when hinge bracket is installed to the cabinet.
6. Invert the door stop so that the countersunk holes line up with the screw holes in the hinge assembly. See Graphic 4.
7. Reinstall the door stop screws. See Graphic 3.
8. Reinstall the hinge bracket to the cabinet with the 3 hex head hinge screws.

Handle

Move the door handle from one side of the door to the other.

Style 1

1. Grasping the lower part of the handle firmly, slide it up and pull the handle straight out from the door. See Graphic 1-1.
2. Using a 1/4" hex head socket wrench, remove the grommets from the door.
3. Reinstall the grommets on the opposite side of the door.
4. Position the handle so that the large holes in the mounting clips are down and align the holes with the grommets.
5. Rotate the handle so that the mounting clips are flat against the door and slide the handle down to engage.

Style 2

1. Loosen setscrews located on side of handle at each end. See Graphic 1-2.
2. Remove handle from grommets.

3. Using a 1/4" hex head socket wrench, remove the grommets from the door.
4. Position the grommets on the opposite side of the door and reinstall.
5. Position the handle over grommets on the opposite side of the freezer door.
6. Ensure grommets are fitted into handle holes.
7. Tighten the upper and lower setscrews with hex key provided. Do not overtighten setscrews.

Style 3

1. Slide the handle up and off the clips. See Graphic 1-3.
2. Using a flat-blade screwdriver, remove the screws from the clips and remove the clips from the door.
3. Position the clips on the opposite side of the freezer door and reinstall the screws.
4. Position handle over the clips.
5. Apply even pressure and push down to lock in place.

Replace Door and Hinges

NOTE: Graphic may be reversed if door swing is reversed.

1. Replace the parts for the bottom hinge as shown and tighten screws. See Bottom Hinge Graphic 1C. Replace the freezer door.
NOTE: Provide additional support for the door while the hinges are being moved. Do not depend on the door magnets to hold the door in place while you are working.
2. Assemble the parts of the top hinge as shown in the Top Hinge Graphic 1B. Do not tighten the screws completely.
3. Line up the door so that the bottom aligns evenly with the cabinet. Tighten all screws.

Final Steps

1. Check all holes to make sure that hole plugs and screws are in place. Reinstall top hinge cover. See Top Hinge Graphic 1B.
2. Replace the base grille. See Base Grille Graphic 1A.

⚠ WARNING



Electrical Shock Hazard

Plug into a grounded 3 prong outlet.

Do not remove ground prong.

Do not use an adapter.

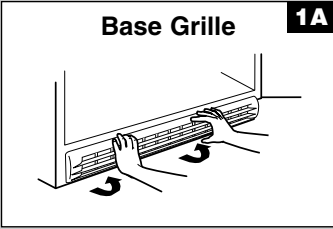
Do not use an extension cord.

Failure to follow these instructions can result in death, fire, or electrical shock.

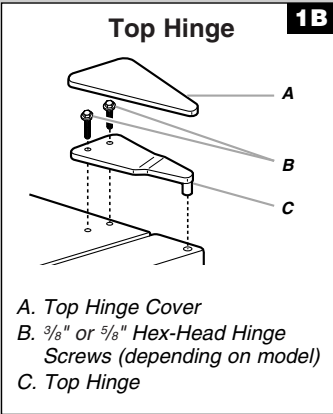
3. Plug into a grounded 3 prong outlet.
4. Reset the control. See "Using the Control."
5. Return all removable door parts to door and food to freezer.

Door Removal & Replacement

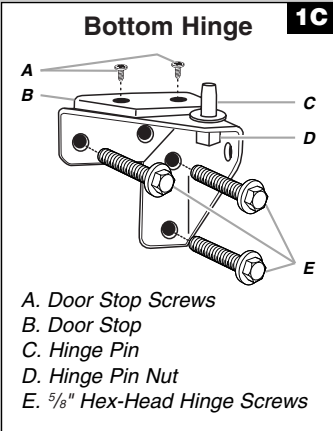
Base Grille **1A**



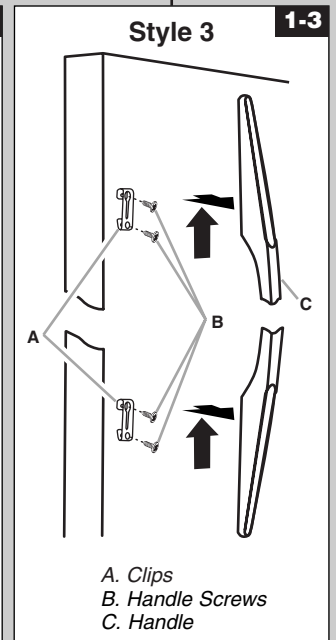
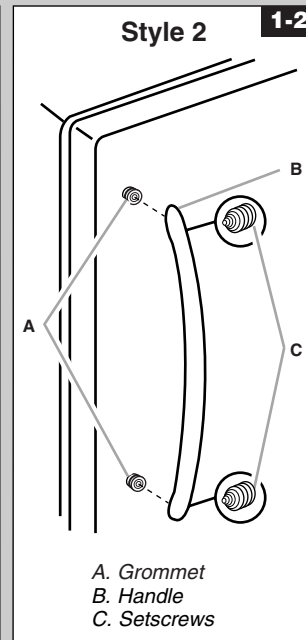
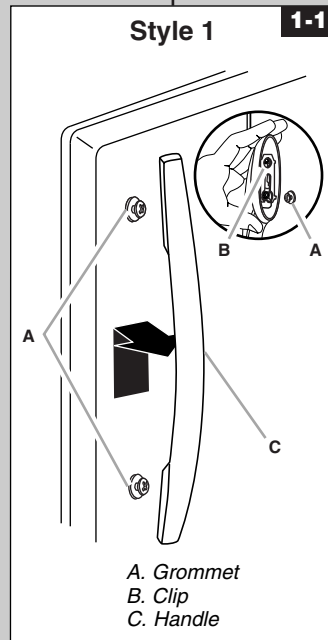
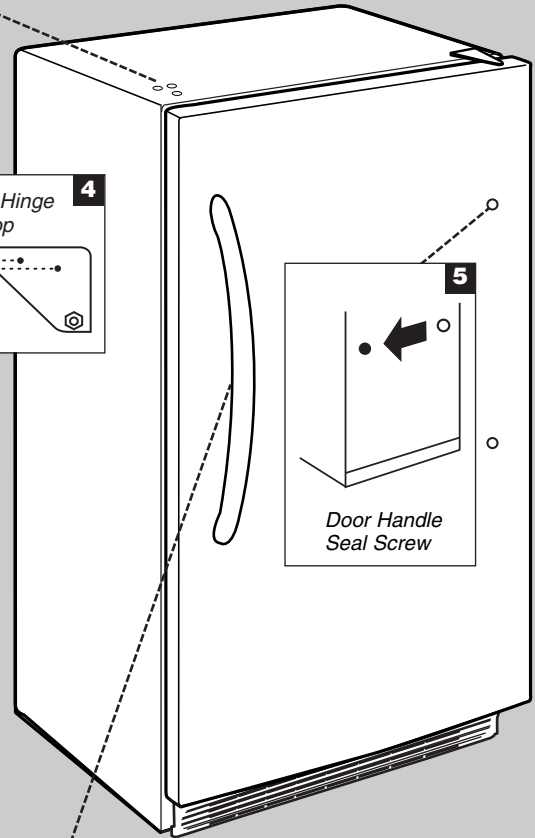
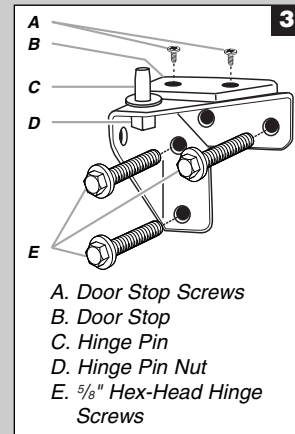
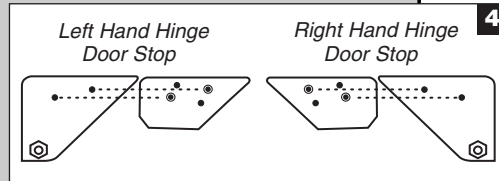
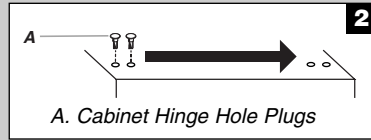
Top Hinge **1B**



Bottom Hinge **1C**



Door Swing Reversal (optional)

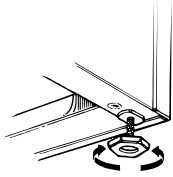


Adjust the Door

1. Locate the two front leveling legs taped among the packing materials.
2. Screw these legs into the front holes on the bottom of the freezer. The back of the freezer rests on two fixed supports.
3. Adjust the front legs just enough to lift the cabinet up off of the floor.

NOTE: If your model is equipped with rollers, the front legs should be lowered enough to lift the rollers off of the floor to ensure the freezer does not roll forward when the door is opened.

4. Place a leveling tool on top of the freezer first side to side, then front to back. Turn leg counterclockwise to raise a corner. Turn leg clockwise to lower a corner.

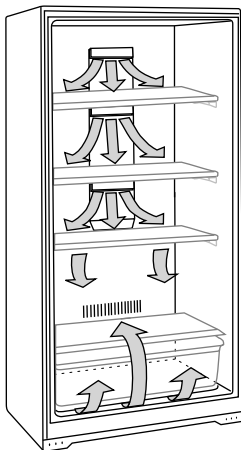


5. Repeat Step 4 until freezer is level.
6. After freezer is fully loaded with food, recheck with level as in Step 4.

FREEZER USE

Ensuring Proper Air Circulation

In order to ensure proper temperature, you need to permit proper airflow in the freezer. As shown in the illustration, cool air enters through the freezer wall and moves down. The air then recirculates through the vent near the bottom.



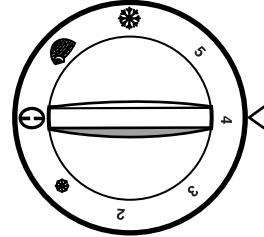
Do not block any of these vents with food packages. If the vents are blocked, airflow will be restricted, and temperature and moisture problems may occur.

IMPORTANT: To avoid odor transfer and drying out of food, wrap or cover foods tightly.

Using the Control

Turn the freezer temperature control to 4. This setting is designed to maintain the temperature at or near 0°F (-17.8°C) under normal operating conditions.

Allow the freezer to cool 6 to 8 hours before filling with frozen food. Let the freezer cool overnight before adding large amounts of unfrozen food. Do not add more than 2 to 3 lbs (907 to 1,350 g) of unfrozen food per cubic foot (28.32 L) of freezer space.



NOTE: When the freezer is first started, the compressor will run constantly until the freezer is cooled. It may take up to 6 or 8 hours (or longer), depending on room temperature and the number of times the freezer door is opened. After the freezer is cooled, the compressor will turn on and off as needed to keep the freezer at the proper temperature.

The outside of your freezer may feel warm. This is normal. The freezer's design and main function is to remove heat from packages and air space inside the freezer. The heat is transferred to the room air, making the outside of the freezer feel warm.

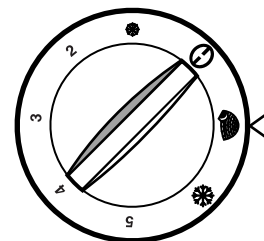
Adjusting Control

- Turn control to a higher number for colder temperatures.
- Turn control to a lower number for less cold temperatures.

NOTE: The small snowflake icon represents the number 1 or the least cold setting. The large snowflake icon represents 6 or the coldest setting.

Fast Freeze (on some models)

This setting causes the freezer to run continuously, driving the freezer temperature to the coldest possible temperature. To activate, adjust the control knob to the igloo icon, which represents the fast freeze setting. Use this feature just before adding large amounts of unfrozen foods. For best food quality, do not exceed 3 lbs (1,350 g) per cubic foot (28.32 L). Return to your normal setting after 24 to 48 hours.



Temperature Alarm (on some models)

The temperature monitor alarm is located to the left of the temperature control and sounds an audible alarm if the temperature reaches 10°F (-12°C) or more above normal for the selected setting.

The alarm is controlled by a three-position switch.



- | The proper setting for normal freezer use. The alarm is on, and the amber light will be illuminated.
- 0 Keeps the alarm from sounding when the freezer is warm, such as during start-up or defrosting.
- ✓ Tests the alarm regardless of temperature.

Indicator Light

(on some models)

The indicator light assures you that your freezer is running. If the indicator light is not glowing, immediately check for:

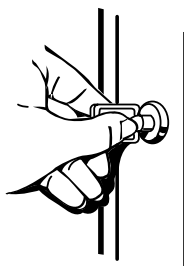
- Power interruption.
- An unplugged power cord.
- An open circuit breaker or blown fuse.
- A burned out indicator light.



Key Eject Lock

(on some models)

To lock or unlock the freezer, you must hold the key in the lock while turning. The lock is spring loaded, so the key cannot be left in the lock.



If the key is lost, contact your dealer for a replacement. Always give the model and serial number of your freezer when requesting a replacement key.

Ice Maker

(on some models)

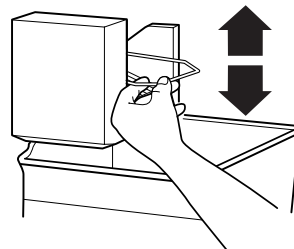
To Turn the Ice Maker On/Off

NOTE: Do not force the wire shutoff arm up or down.

- To turn the ice maker on, simply lower the wire shutoff arm.

NOTE: Your ice maker has an automatic shutoff. As ice is made, the ice cubes fill the ice storage bin and the ice cubes will raise the wire shutoff arm to the OFF (arm up) position.

- To manually turn the ice maker off, lift the wire shutoff arm to the OFF (arm up) position and listen for the click to make sure the ice maker will not continue to operate.



Ice Production Rate

The ice maker should produce approximately 7 to 9 batches of ice in a 24-hour period. If ice is not being made fast enough, turn the Temperature Control toward a higher (colder) number in half number steps. (For example, if the control is at 3, move it to between 3 and 4.) Wait 24 hours and, if necessary, gradually turn the Temperature Control to the highest setting, waiting 24 hours between each increase.

Remember

- Allow 24 hours to produce the first batch of ice. Discard the first three batches of ice produced.
- The quality of your ice will be only as good as the quality of the water supplied to your ice maker. Avoid connecting the ice maker to a softened water supply. Water softener chemicals (such as salt) can damage parts of the ice maker and lead to poor quality ice. If a softened water supply cannot be avoided, make sure the water softener is operating properly and is well maintained.
- Do not store anything on top of the ice maker or in the ice storage bin.

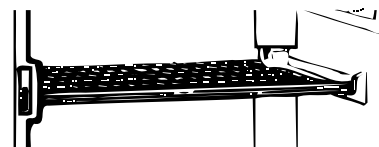
FREEZER FEATURES

This manual covers several different models. The freezer you have purchased may have some or all of the items listed. The locations of the features may not match those of your model.

Refrigerated Shelves

(on some models)

Your freezer is equipped with refrigerated interior shelves. Packages in direct contact with the shelves will have the best refrigeration. Fresh, unfrozen food packages should be stored directly on the shelves and not on top of already frozen food packages.



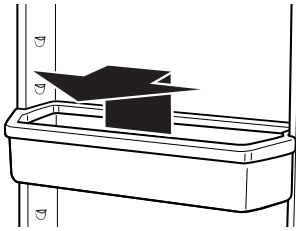
When placing the food packages in your freezer, please remember:

- The cabinet shelves have the best freezing capability. The door shelves and the bottom of the cabinet have a slightly less cold temperature. Therefore, packages sensitive to temperature (meat, poultry, etc.) should not be placed on the door shelves or the freezer bottom.
- Leave some space between the food packages so that cold air can pass over and around them.

Door Bin

To remove and replace the bin:

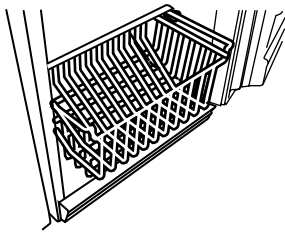
1. Remove the bin by tipping the front of the bin forward and sliding out.
2. Replace the bin by sliding it in above the desired support tilting it back into place.



Storage Basket

(on some models)

The slide out basket provides separate storage space for items that are difficult to store on freezer shelves. To remove the basket, pull out and lift up.

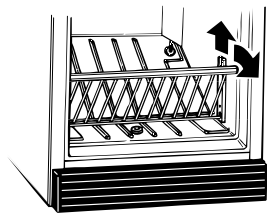


Storage Gate

(on some models)

To Lower and Raise the Storage Gate:

1. Lift the top of the gate up slightly, out of the supports. Pull the gate forward and down.
2. Return the gate to the upright position. Lift the top of the gate slightly to clear the supports. Lower the gate into the supports.



FREEZER CARE

Cleaning Your Frost-Free Freezer

(some models)

⚠ WARNING



Explosion Hazard

Use nonflammable cleaner.

Failure to do so can result in death, explosion, or fire.

Frost-free means that you will not have to defrost your freezer. Frost is removed by air moving and collecting any moisture and depositing it on the cooling coil. The cooling coil periodically warms up just enough to melt the frost, and it then flows down to the drain pan (located behind the base grille) where it is evaporated.

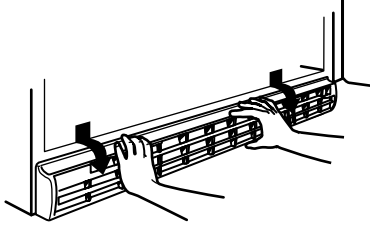
Complete cleaning should be done at least once a year.

1. Unplug freezer or disconnect power.
 2. Remove all frozen food. Wrap frozen food in several layers of newspaper and cover with a blanket. Food will stay frozen for several hours. You may also store frozen food in a cooler, additional refrigerator-freezer, or in a cool area.
 3. Wash the inside walls with a solution of mild detergent in warm water or 2 tbs (26 mg) baking soda to 1 qt (0.95 L) warm water.
 - Do not use abrasive or harsh cleaners such as window sprays, scouring cleansers, flammable fluids, cleaning waxes, concentrated detergents, bleaches or cleansers containing petroleum products on plastic parts, interior and door liners or gaskets. Do not use paper towels, scouring pads, or other harsh cleaning tools. These can scratch or damage materials.
 4. Rinse well and wipe dry with a clean soft cloth.
 5. Use the appropriate cleaning method for your exterior finish.
 - Painted metal:** Wash exteriors with a clean sponge or soft cloth and a mild detergent in warm water. Do not use abrasive or harsh cleaners, or cleaners designed for stainless steel. Dry thoroughly with a soft cloth.
 - Stainless steel finish:** Wash with a clean sponge or soft cloth and a mild detergent in warm water. Do not use abrasive or harsh cleaners. Dry thoroughly with a soft cloth.
 - To keep your stainless steel refrigerator looking like new and to remove minor scuffs or marks, it is suggested that you use the manufacturer's approved Stainless Steel Cleaner and Polish.
- IMPORTANT:** This cleaner is for stainless steel parts only!
- Do not allow the Stainless Steel Cleaner and Polish to come into contact with any plastic parts such as the trim pieces, dispenser covers or door gaskets. If unintentional contact does occur, clean plastic part with a sponge and mild detergent in warm water. Dry thoroughly with a soft cloth.
6. Replace all frozen food.
 7. Plug in freezer or reconnect power.
 8. See "Using the Control."

Base Grille

To Remove and Replace the Base Grille:

1. Open the freezer door and remove the base grille by pulling down and out from the top.
2. Replace the base grille by putting the clips in the openings in the refrigerator panel. Push in until the base grille snaps into place.



Defrosting and Cleaning Your Manual Defrost Freezer

(some models)

⚠ WARNING



Explosion Hazard

Use nonflammable cleaner.

Failure to do so can result in death, explosion, or fire.

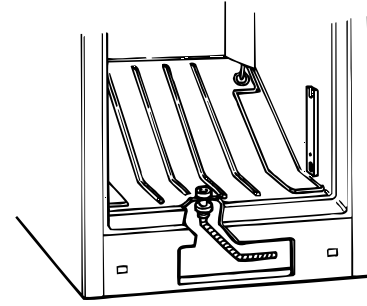
Defrost and clean your freezer when frost has built up to about ¼" (6 mm) thickness. Complete defrosting and cleaning should be done at least once a year. In high humidity areas, a freezer may need more frequent defrosting and cleaning.

Do not use abrasive cleaners on your freezer. Do not use cleaning waxes, concentrated detergents, bleaches, or cleaners containing petroleum on plastic parts. Damage can occur.

NOTE: The drain cap must be removed before defrosting the freezer and replaced securely afterward.

1. Unplug freezer or disconnect power.
2. Remove all frozen food. Wrap frozen food in several layers of newspaper and cover with a blanket. Food will stay frozen for several hours. You may also store frozen food in a cooler, an additional refrigerator or freezer, or a cool area.
3. Remove base grille. See "Base Grille."
4. **Style 1—Models with a drain system**
Reach under the unit and pull the drain hose out through the opening. The drain hose carries defrost water out of the freezer, and through the area behind the base grille. Place a large shallow pan under the drain hose. Remove the drain cap inside freezer.

NOTE: Check the drain pan frequently to avoid water overflow. Have a second pan handy for easier emptying.



Style 2—Models without a drain system

Remove water from the freezer bottom using a sponge or baster and empty the water into a large pan.

5. Place pans of hot water in freezer with door open to speed melting. Directing air from an electric fan into freezer will also help. Do not place fan or any electrical device in freezer.
6. Use a plastic scraper to remove frost.
NOTE: Do not use an ice pick, knife, or other sharp-pointed tool to defrost freezer. Damage can occur.
7. Wipe water from walls with a towel or sponge.
8. Wash the inside walls with a solution of mild detergent in warm water or 2 tbs (26 mg) baking soda to 1 qt (0.95 L) warm water. Do not use abrasive or harsh cleaners.
9. Rinse well and wipe dry with a clean soft cloth.
10. Use the appropriate cleaning method for your exterior finish.

Painted metal: Wash exteriors with a clean sponge or soft cloth and a mild detergent in warm water. Do not use abrasive or harsh cleaners, or cleaners designed for stainless steel. Dry thoroughly with a soft cloth.

Stainless steel finish: Wash with a clean sponge or soft cloth and a mild detergent in warm water. Do not use abrasive or harsh cleaners, or cleaners designed for stainless steel. Dry thoroughly with a soft cloth.

- To keep your Stainless Steel refrigerator looking like new and to remove minor scuffs or marks, it is suggested that you use the manufacturer's approved Stainless Steel Cleaner and Polish.

IMPORTANT: This cleaner is for Stainless Steel parts only!

- Do not allow the Stainless Steel Cleaner and Polish to come into contact with any plastic parts such as the trim pieces, dispenser covers or door gaskets. If unintentional contact does occur, clean plastic part with a sponge and mild detergent in warm water. Dry thoroughly with a soft cloth. To order the cleaner, see "Accessories."

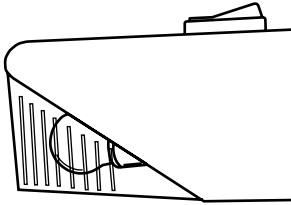
11. For models with a drain system, you should replace the drain hose, drain cap and base grille.
12. Replace all frozen food.
13. Plug in freezer or reconnect power.
14. See "Using the Control."

Changing the Light Bulb

NOTE: Not all appliance bulbs will fit your freezer. Be sure to replace the bulb with one of the same size, shape, and wattage.

Style 1

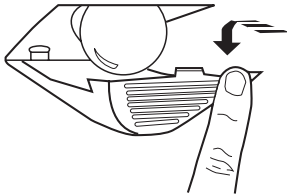
1. Unplug freezer or disconnect power.



2. Replace the light bulb with an appliance bulb of the same wattage.
3. Plug in freezer or reconnect power.

Style 2

1. Unplug freezer or disconnect power.
2. Remove the light shield. From the front of the light shield, push backward and down.



3. Replace the light bulb with an appliance bulb of the same wattage.
4. Replace the light shield.
5. Plug in freezer or reconnect power.

Power Interruptions

If the power will be out for 24 hours or less, keep the door closed to help food stay cold and frozen.

If the power will be out for more than 24 hours, do one of the following:

- Remove all frozen food and store it in a frozen food locker.
- If a food locker is not available, consume or can perishable food at once.

After the power is restored, unplug the freezer for 30 minutes, to allow the refrigeration system to equalize. During this time keep the door closed whenever possible.

REMEMBER: A full freezer stays cold longer than a partially filled one. A freezer full of meat stays cold longer than a freezer full of baked goods. If you see that food contains ice crystals, it may be refrozen, although the quality and flavor may be affected. If the condition of the food is poor, dispose of it.

Moving Care

When you are moving your freezer to a new home, follow these steps to prepare it for the move.

1. Remove all frozen food.
2. Unplug the freezer.
3. Take out all removable parts, wrap them well, and tape them together so they don't shift and rattle during the move.
4. Clean the freezer thoroughly.
5. Tape the freezer shut and tape the electrical cord to the cabinet.

When you get to your new home, refer to the "Installation Instructions" and "Freezer Use" sections for information on installation and setting the controls.

TROUBLESHOOTING

Try the solutions suggested here first to avoid the cost of an unnecessary service call...

Your freezer will not operate

⚠ WARNING



Electrical Shock Hazard

Plug into a grounded 3 prong outlet.

Do not remove ground prong.

Do not use an adapter.

Do not use an extension cord.

Failure to follow these instructions can result in death, fire, or electrical shock.

- **Is the power supply cord unplugged?** Plug into a grounded 3 prong outlet.

- **Has a household fuse blown or circuit breaker tripped?** Replace the fuse or reset the circuit breaker.
- **Is the Temperature Control turned to the OFF position?** See "Using the Control."
- **Is the freezer defrosting (on some models)?** Recheck to see whether the freezer is operating in 30 minutes. Your freezer will regularly run an automatic defrost cycle.

The lights do not work

⚠ WARNING



Electrical Shock Hazard

Plug into a grounded 3 prong outlet.

Do not remove ground prong.

Do not use an adapter.

Do not use an extension cord.

Failure to follow these instructions can result in death, fire, or electrical shock.

- **Is the power supply cord unplugged?** Plug into a grounded 3 prong outlet.
- **Is a light bulb loose in the socket or burned out?** See “Changing the Light Bulb.”

There is water in the defrost drain pan (on some models)

- **Is the freezer defrosting?** The water will evaporate. It is normal for water to drip into the defrost pan.
- **Is it more humid than normal?** When it is humid, expect that the water in the defrost pan will take longer to evaporate.

The motor seems to run too much

- **Is there excessive frost or a package keeping the door from closing?** Defrost and clean the freezer, or move the package so the door closes properly.
- **Is the room temperature hotter than normal?** The motor will run longer under warm conditions. At normal room temperatures, your motor will run about 40% to 80% of the time. Under warmer conditions, it will run even more.
- **Has a large amount of food just been added to the freezer?** Adding a large amount of food warms the freezer. The motor normally will run longer to cool the freezer back down.
- **Is the door opened often?** The motor will run longer when this occurs. Conserve energy by getting all items out at one time, keeping food organized, and closing the door as soon as possible.
- **Is the control set correctly for the surrounding conditions?** See “Using the Control.”
- **Is the door completely closed?** Push the door firmly shut. If it will not shut all the way, see “The door will not close completely or is difficult to open” later in this section.

- **Are the condenser coils dirty (on some models)?** This blocks air transfer and makes the motor work harder. Clean the condenser coils. See “Freezer Care.”
- **Is the door gasket sealed all the way around?** Contact a qualified person or a technician.
- **Is there enough air circulation space around the freezer?** See “Location Requirements.”

NOTE: If the problem is not due to any of the above, remember that your new freezer will run longer than your old one due to its high-efficiency motor.

The ice maker is not producing ice or not enough ice (on some models)

- **Has the ice maker just been installed?** Wait 72 hours for full ice production to begin. Once your freezer is cooled, the ice maker should produce 70-120 cubes every 24 hours.
- **Is the freezer temperature cold enough to produce ice?** Wait 24 hours after hookup for ice production. See “Using the Control.”
- **Is the wire shutoff arm in the OFF (arm up) position?** Lower the wire shutoff arm to the ON (arm down) position. See “Ice Maker.”
- **Is the water line shutoff valve to the freezer turned on?** Turn on the water valve. See “Connect the Water Supply.”
- **Does the ice maker mold have water in it or has no ice been produced?** Be sure your freezer has been connected to a water supply and the supply shutoff valve is turned on. See “Connect the Water Supply.”
- **Is an ice cube jammed in the ejector arm?** Remove the ice from the ejector arm with a plastic utensil. See “Ice Maker.”
- **Has a large amount of ice just been removed?** Allow 24 hours for ice maker to produce more ice.
- **Is the control set correctly?** If too little ice is produced, see “Using the Control.”

NOTE: If not due to any of the above, there may be a problem with the water line. Call for service.

Off-taste, odor or gray color in the ice (on some models)

- **Are the plumbing connections new, causing discolored or off-flavored ice?** Discard the first few batches of ice.
- **Have the ice cubes been stored too long?** Throw old ice away and make a new supply.

⚠ WARNING



Explosion Hazard

Use nonflammable cleaner.

Failure to do so can result in death, explosion, or fire.

- **Do the freezer and ice bin need to be cleaned?** See “Freezer Care.”
- **Does the water contain minerals (such as sulfur)?** A filter may need to be installed to remove the minerals.

Temperature is too warm

- **Are the air vents blocked?** Move objects away from the air vents. See “Ensuring Proper Air Circulation” for air vent locations.
- **Is the door opened often?** Be aware that the freezer will warm when this occurs. In order to keep the freezer cool, try to get everything you need out of the freezer at once, keep food organized so it is easy to find, and close the door as soon as the food is removed.
- **Has a large amount of food just been added to the freezer?** Adding a large amount of food warms the freezer. It can take several hours for the freezer to return to the normal temperature.
- **Is the control set correctly for the surrounding conditions?** See “Using the Control.”

The door will not close completely or is difficult to open

- **Are food packages blocking the door?** Rearrange containers so that they fit more tightly and take up less space.
- **Are the shelves and basket out of position (on some models)?** Put the shelves and basket back into their correct positions.

WARNING



Explosion Hazard

Use nonflammable cleaner.

Failure to do so can result in death, explosion, or fire.

- **Are the gaskets dirty or sticky?** Clean gaskets according to the directions in “Freezer Care.”
- **Does the freezer wobble or seem unstable?** See “Adjust the Door.”

The freezer clicks but does not run

- **Has the local power failed?** Unplug the freezer for 30 minutes to allow the refrigeration system to equalize. During this time, keep the door closed whenever possible.

ASSISTANCE OR SERVICE

Before calling for assistance or service, please check “Troubleshooting.” It may save you the cost of a service call. If you still need help, follow the instructions below.

When calling, please know the purchase date and the complete model and serial number of your appliance. This information will help us to better respond to your request.

If You Need Replacement Parts

If you need to order replacement parts, we recommend that you only use factory specified parts. Factory specified parts will fit right and work right, because they are made with the same precision used to build every new WHIRLPOOL® appliance.

To locate factory specified parts in your area, call us or your nearest designated service center.

Call customer service toll free: **1-800-253-1301**

In Canada call: **1-800-807-6777**.

For Further Assistance

If you need further assistance, you can write to us with any questions or concerns at:

Whirlpool Brand Home Appliances
Customer eXperience Center
553 Benson Road
Benton Harbor, MI 49022-2692

WHIRLPOOL CORPORATION MAJOR APPLIANCE WARRANTY

LIMITED WARRANTY

For one year from the date of purchase, when this major appliance is operated and maintained according to instructions attached to or furnished with the product, Whirlpool Corporation or Whirlpool Canada LP (hereafter "Whirlpool") will pay for Factory Specified Parts and repair labor to correct defects in materials or workmanship that existed when this major appliance was purchased. Service must be provided by a Whirlpool designated service company. YOUR SOLE AND EXCLUSIVE REMEDY UNDER THIS LIMITED WARRANTY SHALL BE PRODUCT REPAIR AS PROVIDED HEREIN. This limited warranty is valid only in the United States or Canada and applies only when the major appliance is used in the country in which it was purchased. Proof of original purchase date is required to obtain service under this limited warranty.

ITEMS EXCLUDED FROM WARRANTY

This limited warranty does not cover:

1. Replacement parts or repair labor if this major appliance is used for other than normal, single-family household use or when it is used in a manner that is inconsistent to published user or operator instructions and/or installation instructions.
 2. Service calls to correct the installation of your major appliance, to instruct you on how to use your major appliance, to replace or repair house fuses, or to correct house wiring or plumbing.
 3. Service calls to repair or replace appliance light bulbs, air filters or water filters. Consumable parts are excluded from warranty coverage.
 4. Damage resulting from accident, alteration, misuse, abuse, fire, flood, acts of God, improper installation, installation not in accordance with electrical or plumbing codes, or use of products not approved by Whirlpool.
 5. Cosmetic damage, including scratches, dents, chips or other damage to the finish of your major appliance, unless such damage results from defects in materials or workmanship and is reported to Whirlpool within 30 days from the date of purchase.
 6. Any food or medicine loss due to refrigerator or freezer product failures.
 7. Pickup and delivery. This major appliance is intended to be repaired in your home.
 8. Repairs to parts or systems resulting from unauthorized modifications made to the appliance.
 9. Expenses for travel and transportation for product service if your major appliance is located in a remote area where service by an authorized Whirlpool servicer is not available.
 10. The removal and reinstallation of your major appliance if it is installed in an inaccessible location or is not installed in accordance with Whirlpool's published installation instructions.
 11. Replacement parts or repair labor on major appliances with original model/serial numbers that have been removed, altered or cannot be easily determined.
 12. Discoloration, rust, or oxidation of stainless steel surfaces.
-

DISCLAIMER OF IMPLIED WARRANTIES

IMPLIED WARRANTIES, INCLUDING ANY IMPLIED WARRANTY OF MERCHANTABILITY OR IMPLIED WARRANTY OF FITNESS FOR A PARTICULAR PURPOSE, ARE LIMITED TO ONE YEAR OR THE SHORTEST PERIOD ALLOWED BY LAW. Some states and provinces do not allow limitations on the duration of implied warranties of merchantability or fitness, so this limitation may not apply to you. This warranty gives you specific legal rights, and you also may have other rights that vary from state to state or province to province.

LIMITATION OF REMEDIES; EXCLUSION OF INCIDENTAL AND CONSEQUENTIAL DAMAGES

YOUR SOLE AND EXCLUSIVE REMEDY UNDER THIS LIMITED WARRANTY SHALL BE PRODUCT REPAIR AS PROVIDED HEREIN. WHIRLPOOL SHALL NOT BE LIABLE FOR INCIDENTAL OR CONSEQUENTIAL DAMAGES. Some states and provinces do not allow the exclusion or limitation of incidental or consequential damages, so these limitations and exclusions may not apply to you. This warranty gives you specific legal rights, and you also may have other rights that vary from state to state or province to province.

If outside the 50 United States and Canada, contact your authorized Whirlpool dealer to determine if another warranty applies.

If you think you need repair service, first see the "Troubleshooting" section of the Use & Care Guide. If you are unable to resolve the problem after checking "Troubleshooting," additional help can be found by checking the "Assistance or Service" section or by calling Whirlpool. In the U.S.A., call **1-800-253-1301**. In Canada, call **1-800-807-6777**.

5/08

Keep this book and your sales slip together for future reference. You must provide proof of purchase or installation date for in-warranty service.

Write down the following information about your major appliance to better help you obtain assistance or service if you ever need it. You will need to know your complete model number and serial number. You can find this information on the model and serial number label located on the product.

Dealer name _____

Address _____

Phone number _____

Model number _____

Serial number _____

Purchase date _____

SÉCURITÉ DU CONGÉLATEUR

Votre sécurité et celle des autres est très importante.

Nous donnons de nombreux messages de sécurité importants dans ce manuel et sur votre appareil ménager. Assurez-vous de toujours lire tous les messages de sécurité et de vous y conformer.



Voici le symbole d'alerte de sécurité.

Ce symbole d'alerte de sécurité vous signale les dangers potentiels de décès et de blessures graves à vous et à d'autres.

Tous les messages de sécurité suivront le symbole d'alerte de sécurité et le mot "DANGER" ou "AVERTISSEMENT". Ces mots signifient :

! DANGER

Risque possible de décès ou de blessure grave si vous ne suivez pas immédiatement les instructions.

! AVERTISSEMENT

Risque possible de décès ou de blessure grave si vous ne suivez pas les instructions.

Tous les messages de sécurité vous diront quel est le danger potentiel et vous disent comment réduire le risque de blessure et ce qui peut se produire en cas de non-respect des instructions.

IMPORTANTES INSTRUCTIONS DE SÉCURITÉ

AVERTISSEMENT : Pour réduire les risques d'incendie, de choc électrique ou des blessures lors de l'utilisation du congélateur, prendre quelques précautions fondamentales, y compris les suivantes :

- Brancher l'appareil sur une prise à 3 alvéoles reliée à la terre.
- Ne pas enlever la broche de liaison à la terre.
- Ne pas utiliser un adaptateur.
- Ne pas utiliser un câble de rallonge.
- Débrancher la source de courant électrique avant l'entretien.
- Replacer pièces et panneaux avant de faire la remise en marche.
- Utiliser un produit de nettoyage ininflammable.
- Garder les matériaux et les vapeurs inflammables, telle que l'essence, loin du congélateur.
- Utiliser deux ou plus de personnes pour déplacer et installer le congélateur.
- Garder la clé loin des enfants.
- Enlever les portes ou le couvercle de votre vieux congélateur ou réfrigérateur.
- Débrancher la source de courant électrique avant l'installation de la machine à glaçons (seulement pour modèles prêts à recevoir une machine à glaçons).

CONSERVEZ CES INSTRUCTIONS

Mise au rebut appropriée de votre vieux congélateur ou réfrigérateur

! AVERTISSEMENT

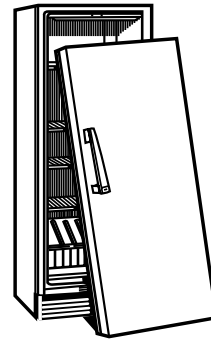
Risque de suffoquer

Enlever les portes ou le couvercle de votre vieux congélateur ou réfrigérateur.

Le non-respect de cette instruction peut causer un décès ou des lésions cérébrales.

Avant de mettre au rebut votre vieux congélateur ou réfrigérateur :

- Enlever les portes ou le couvercle.
- Laisser les tablettes en place, de sorte que les enfants ne puissent pas facilement se glisser à l'intérieur.



IMPORTANT : Le problème des enfants trouvés enfermés ou étouffés n'est pas nouveau. Les congélateurs ou réfrigérateurs jetés ou abandonnés présentent des dangers, même s'ils sont abandonnés pendant "quelques jours" seulement. Si vous vous débarrassez de votre vieux réfrigérateur ou congélateur, veuillez suivre les instructions suivantes pour aider à éviter les accidents.

INSTRUCTIONS D'INSTALLATION

Déballage

⚠ AVERTISSEMENT

Risque du poids excessif

Utiliser deux ou plus de personnes pour déplacer et installer le congélateur.

Le non-respect de cette instruction peut causer une blessure au dos ou d'autre blessure.

Enlèvement des matériaux d'emballage

- Enlever le ruban adhésif et la colle des surfaces du congélateur avant de le mettre en marche. Frotter une petite quantité de savon liquide pour la vaisselle sur l'adhésif avec les doigts. Rincer à l'eau tiède et essuyer.
- Ne pas utiliser d'instruments coupants, d'alcool à friction, de liquides inflammables ou de nettoyants abrasifs pour enlever le ruban adhésif ou la colle. Ces produits peuvent endommager la surface de votre congélateur. Pour plus de renseignements, voir "Sécurité du congélateur".

Déplacement de votre congélateur :

Votre congélateur est lourd. Lors du déplacement de votre congélateur pour le nettoyage ou un entretien, veiller à recouvrir le plancher avec du carton ou un panneau de fibre dur pour éviter qu'il ne subisse tout dommage. Toujours tirer le congélateur tout droit lors du déplacement. Ne pas incliner le congélateur d'un côté ou de l'autre ni le "faire marcher" en essayant de le déplacer car le plancher pourrait être endommagé.

Nettoyage avant l'utilisation

Après avoir enlevé tous les matériaux d'emballage, nettoyer l'intérieur du congélateur avant l'utilisation. Voir les instructions de nettoyage à "Entretien du congélateur".

Importants renseignements à savoir au sujet des tablettes et des couvercles en verre :

Ne pas nettoyer les tablettes ou couvercles en verre avec de l'eau tiède quand ils sont froids. Les tablettes et les couvercles peuvent se briser s'ils sont exposés à des changements soudains de température ou à un impact tel que coup brusque. Le verre trempé est conçu pour éclater en d'innombrables pièces minuscules. Ceci est normal. Les tablettes et les couvercles en verre sont lourds. Les saisir à deux mains lors de leur dépose afin d'éviter de les faire tomber.

Emplacement d'installation

⚠ AVERTISSEMENT



Risque d'explosion

Garder les matériaux et les vapeurs inflammables, telle que l'essence, loin du congélateur.

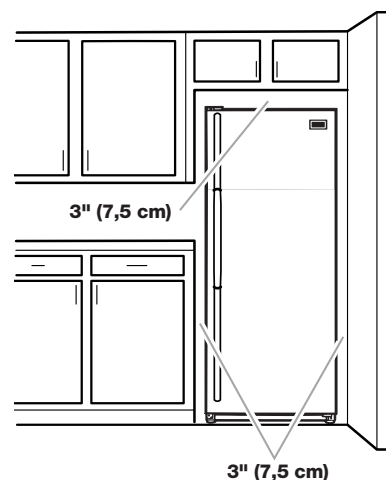
Le non-respect de cette instruction peut causer un décès, une explosion ou un incendie.

IMPORTANT : Ne pas installer le congélateur près d'un four, d'un radiateur ou d'une autre source de chaleur, ni dans un endroit où la température baissera au-dessous de 40°F (5°C).

Vérifier la solidité du plancher avant d'installer le congélateur. Le plancher doit supporter le poids d'un congélateur entièrement rempli d'aliments.

Laisser un espace d'au moins 3" (7,5 cm) en haut et des deux côtés du congélateur et de 1" (2,5 cm) entre l'arrière du congélateur et le mur. Si le congélateur doit être contre un mur, laisser un espace plus grand du côté des charnières pour que la porte puisse s'ouvrir plus.

REMARQUE : Ce congélateur peut être installé côte à côte avec un autre réfrigérateur ou congélateur. Laisser un dégagement de 3" (7,5 cm) sur le dessus et les côtés et un dégagement de 1/4" (0,64 cm) entre les appareils.



Spécifications électriques

⚠ AVERTISSEMENT



Risque de choc électrique

Brancher sur une prise à 3 alvéoles reliée à la terre.

Ne pas enlever la broche de liaison à la terre.

Ne pas utiliser un adaptateur.

Ne pas utiliser un câble de rallonge.

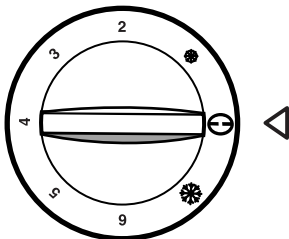
Le non-respect de ces instructions peut causer un décès, un incendie ou un choc électrique.

Avant de déplacer le congélateur à son emplacement final, il est important de vous assurer d'avoir le raccordement électrique approprié.

Méthode recommandée de mise à la terre

Une source de courant électrique de 115 V, 60 Hz, CA seulement, et protégée par un fusible de 15 ou 20 ampères, adéquatement mise à la terre est nécessaire. Il est recommandé d'utiliser un circuit distinct pour alimenter uniquement le congélateur. Utiliser une prise de courant murale qui ne peut pas être mise hors circuit à l'aide d'un commutateur. Ne pas employer un câble de rallonge.

REMARQUE : Avant de procéder à tout type d'installation, de nettoyage ou de changement d'une ampoule, tourner la commande de température à la position d'arrêt (OFF) tel qu'illustré puis déconnecter le congélateur de la source d'alimentation électrique.



Spécifications de l'alimentation en eau (sur certains modèles)

Lire toutes les instructions avant de commencer.

IMPORTANT :

- Si on doit utiliser le congélateur avant qu'il soit raccordé à la canalisation d'eau, placer la commande de la machine à glaçons à la position d'arrêt (OFF).
- Toutes les installations doivent être conformes aux exigences des codes locaux de plomberie.
- Utiliser un tube en plastique et vérifier s'il y a des fuites. Installer les tubes en plastique seulement à des endroits où la température se maintient au-dessus du point de congélation.

OUTILS REQUIS : Un tournevis à lame plate, clés plates de 7/16" et 1/2" ou deux clés à molette réglables, tourne-écrou, foret de 1/4" et perceuse sans fil.

REMARQUE : Votre marchand de congélateurs présente une trousse disponible avec un robinet d'arrêt à étrier de 1/4" (6,35 mm), un raccord et un tube en plastique. Avant l'achat, s'assurer que le robinet d'arrêt à étrier est conforme à vos codes locaux de plomberie. Ne pas employer de robinet d'arrêt à étrier de 3/16" (4,76 mm) ou de type à percer, ce qui réduit le débit d'eau et cause une obstruction plus facilement.

Pression de l'eau

Une alimentation en eau froide avec une pression entre 30 et 120 lb/po² (207 et 827 kPa) est nécessaire pour faire fonctionner le distributeur d'eau et la machine à glaçons. Si vous avez des questions au sujet de la pression de votre eau consulter "Dépannage" ou faire appel à un plombier qualifié agréé.

Alimentation en eau par osmose inverse

Si un système de purification de l'eau par osmose inverse est raccordé à votre alimentation en eau froide, la pression de l'eau au système doit être d'un minimum de 40 à 60 lb/po² (276 à 414 kPa).

Si la pression de l'eau au système d'osmose inverse est inférieure à 40 à 60 lb/po² (276 à 414 kPa), une pompe de surpression peut être insérée dans le petit tube qui va de la canalisation d'eau froide au système d'osmose inverse.

Si le distributeur d'eau ne distribue toujours pas d'eau correctement :

- Vérifier pour voir si le filtre du système d'osmose inverse est bloqué et le remplacer si nécessaire.
- Laisser le réservoir du système d'osmose inverse se remplir après une utilisation intense.
- Si votre réfrigérateur a comporte un filtre à eau, celui-ci utilisé peut réduire encore plus la pression de l'eau lorsqu'il est avec un système d'osmose inverse. Retirer le filtre à eau.

Si vous avez des questions au sujet de la pression de votre eau, consulter "Dépannage" ou appeler un plombier qualifié agréé.

Raccordement de la canalisation d'alimentation en eau (sur certains modèles)

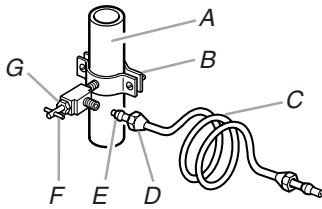
Raccordement à une canalisation d'eau

1. Débrancher le congélateur ou déconnecter la source de courant électrique.
2. FERMER le robinet principal d'arrivée d'eau. OUVRIR le robinet de puisage le plus proche pendant une période suffisante pour que la canalisation d'eau se vide.
3. Trouver une canalisation d'eau froide verticale de 1/2" à 1 1/4" (12,7 mm à 3,18 cm) près du congélateur.

IMPORTANT :

- Assurez-vous qu'il s'agit d'un conduit d'eau froide.
 - Un conduit horizontal fonctionnera, mais percer par le dessus de la canalisation et non pas par le dessous. Ainsi, l'eau ne risquera pas d'arroser la perceuse. Ceci empêche également les sédiments qu'on trouve normalement dans l'eau de s'accumuler dans le robinet.
4. Pour déterminer la longueur du tube en plastique, il faut mesurer la distance entre le point de connexion inférieur gauche à l'arrière du congélateur et la canalisation d'eau. Ajouter une longueur de 7 pi (2,1 m) pour permettre le nettoyage. Utiliser un tube en plastique de 1/4" (6,35 mm) de diamètre extérieur. Veiller à ce que le tube soit coupé d'équerre aux deux extrémités.

5. À l'aide d'une perceuse sans fil, percer un trou de 1/4" (6,35 mm) dans le tuyau de canalisation d'eau froide choisi.

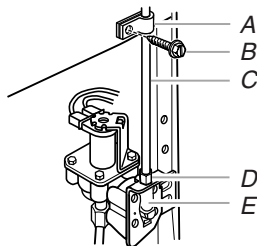


A. Canalisation d'eau froide
B. Bride de tuyau
C. Tube en cuivre
D. Écrou de compression
E. Bague de compression
F. Robinet d'arrêt
G. Écrou de serrage

6. Fixer le robinet d'arrêt sur la canalisation d'eau froide avec la bride de tuyau. Vérifier que l'extrémité du raccord de sortie du robinet est bien engagée dans le trou de 1/4" (6,35 mm) percé dans la canalisation et que la rondelle d'étanchéité est placée sous la bride de tuyau. Serrer l'écrou de serrage. Serrer lentement et uniformément les vis fixant la bride de tuyau sur la tuyauterie afin que la rondelle forme une jonction étanche. Ne pas serrer excessivement car ceci pourrait provoquer l'écrasement du tube en plastique.
7. Enfiler l'écrou et la bague de compression du raccord sur le tube en plastique comme on le voit sur l'illustration. Insérer l'extrémité du tube directement et aussi loin que possible dans l'ouverture de sortie du robinet. Visser l'écrou de compression sur l'extrémité du raccord de sortie avec une clé à molette. Ne pas serrer excessivement.
8. Placer le bout libre du tube dans un contenant ou évier et OUVRIER le robinet principal d'arrivée d'eau; laisser l'eau s'écouler par le tube jusqu'à ce que l'eau soit limpide. FERMER le robinet de la canalisation d'eau. Enrouler le tube en plastique.

Raccordement au congélateur

1. Fixer le tube en plastique à l'entrée du robinet d'eau en utilisant un écrou et une bague de compression tel qu'illustré. Serrer l'écrou de compression. Ne pas serrer excessivement.
2. Utiliser la bride du tube à l'arrière du congélateur pour fixer le tube au congélateur tel qu'illustré. Ceci aidera à empêcher les dommages au tube lorsque le congélateur est poussé contre le mur.
3. OUVRIER le robinet d'arrêt.
4. Inspecter pour rechercher les fuites. Serrer tous les raccords (y compris les raccordements du robinet d'arrivée d'eau) ou les écrous qui coulent.



A. Bride du tube
B. Vis de bride du tube
C. Tube en plastique
D. Écrou de compression
E. Entrée du robinet

5. La machine à glaçons est équipée d'un filtre à eau incorporé. Si la qualité de l'eau distribuée localement nécessite un deuxième filtre à eau, l'installer dans la canalisation d'eau de 1/4" (6,35 mm), à l'un ou l'autre des points de raccordement. On peut obtenir un tel filtre à eau chez le marchand d'appareils électroménagers le plus proche.

⚠ AVERTISSEMENT



Risque de choc électrique

Brancher sur une prise à 3 alvéoles reliée à la terre.

Ne pas enlever la broche de liaison à la terre.

Ne pas utiliser un adaptateur.

Ne pas utiliser un câble de rallonge.

Le non-respect de ces instructions peut causer un décès, un incendie ou un choc électrique.

6. Brancher sur une prise à 3 alvéoles reliée à la terre.

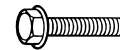
Porte du congélateur

OUTILLAGE NÉCESSAIRE : Clé à douille à tête hexagonale de 5/16", clé à douille à tête hexagonale de 5/8", clé à douille à tête hexagonale de 1/4", clé à douille à tête hexagonale de 1/2", clé à douille à tête hexagonale de 3/8", tournevis Phillips n° 2, tournevis à lame plate, clé plate de 5/16", couteau à mastic plat de 2".

IMPORTANT :

- Toutes les illustrations mentionnées dans les instructions suivantes sont incluses plus loin dans cette section après "Étapes finales". Les illustrations correspondent à une porte s'ouvrant à droite (charnières installées à droite à l'usine).
- Si vous désirez seulement enlever et réinstaller la porte, voir "Démontage - Porte et charnières" et "Réinstallation - Porte et charnières".
- Avant de commencer, tourner la commande à OFF (arrêt), et retirer les aliments et tout balconnet réglable ou compartiment utilitaire la porte.

Démontage - Porte et charnières



Vis de charnière à tête hexagonale de 5/16"

1. Débrancher le congélateur ou déconnecter la source de courant électrique.
2. Ouvrir la porte du congélateur et ôter la grille de la base située à l'avant de la partie inférieure du congélateur. Voir la grille de la base sur l'illustration 1A.
3. Fermer la porte du congélateur; la maintenir fermée jusqu'au moment où on est prêt à la séparer de la caisse de l'appareil.

REMARQUE : Prévoir un support additionnel des portes pendant la réinstallation des charnières. La force d'attraction des aimants de la porte ne suffit pas à la maintenir en place.

- Retirer les pièces de la charnière supérieure - voir l'illustration 1B de la charnière supérieure.
- Soulever la porte du congélateur pour la séparer de la charnière inférieure et de la caisse et la conserver à part.
- Retirer les trois vis de charnière à tête hexagonale et la charnière inférieure. Voir l'illustration 1C de la charnière inférieure.

Inversion du sens d'ouverture de la porte (facultatif - sur certains modèles)

IMPORTANT : Si vous souhaitez inverser le sens d'ouverture de la porte, suivre les instructions de la section "Inversion du sens d'ouverture de la porte (facultatif - sur certains modèles)". S'il n'est pas nécessaire de changer l'orientation de la porte, voir "Réinstallation - Porte et charnières".

Caisse

- Enlever les bouchons d'obturation des trous de charnière au sommet de la caisse; transférer ceux-ci dans les trous de charnière du côté opposé. Voir l'illustration 2.
- Retirer les vis de butée de porte du support de charnière inférieure. Voir l'illustration 1C de la charnière inférieure.
- Retirer l'écrou de l'axe de la charnière et l'axe du support de charnière.
- Faire pivoter le support de charnière pour installer la porte sur le côté opposé de la caisse. Voir l'illustration 3.
- Réinstaller l'écrou de l'axe de la charnière et l'axe sur le support de charnière. L'axe de la charnière doit pointer vers le haut lorsque la support de charnière est installé sur la caisse.
- Inverser la butée de porte de façon à ce que les fraises soient alignées avec les trous des vis sur la charnière. Voir l'illustration 4.
- Réinstaller les vis de butée de porte. Voir l'illustration 3.
- Réinstaller le support de charnière sur la caisse à l'aide des trois vis de charnière à tête hexagonale.

Poignée

Retirer la poignée et la transférer d'un côté à l'autre de la porte.

Style 1

- Saisir fermement la partie inférieure de la poignée; la glisser vers le haut et tirer la poignée de la porte. Voir l'illustration 1-1.
- À l'aide d'une clé à douille à tête hexagonale de 1/4", retirer les œillets de la porte.
- Réinstaller les œillets sur le côté opposé de la porte.
- Placer la poignée de sorte que les grands trous sur les attaches de montage se trouvent en bas et aligner les trous avec les œillets.
- Faire tourner la poignée afin que les attaches de montage se trouvent à plat contre la porte, puis glisser la poignée vers le bas pour la mettre en place.

Style 2

- Dégager les vis de montage situées sur le côté de la poignée à chaque extrémité. Voir l'illustration 1-2.
- Retirer la poignée des œillets.
- À l'aide d'une clé à douille à tête hexagonale de 1/4", retirer les œillets de la porte.
- Réinstaller les œillets sur le côté opposé de la porte.
- Placer la poignée sur les œillets sur le côté opposé de la porte du congélateur.
- Vérifier que les œillets sont installés dans les trous de la poignée.
- Serrer les vis de montage supérieures et inférieures à l'aide de la clé à tête hexagonale fournie. Ne pas serrer excessivement les vis de montage.

Style 3

- Faire glisser la poignée vers le haut hors des attaches. Voir l'illustration 1-3.
- À l'aide d'un tournevis à lame plate, ôter les vis des attaches et retirer les attaches de la porte.
- Placer les attaches sur le côté opposé de la porte du congélateur et réinstaller les vis.
- Placer la poignée sur les attaches.
- Appliquer une pression uniforme et pousser vers le bas pour bloquer la poignée en place.

Réinstallation - Porte et charnières

REMARQUE : Si on inverse le sens d'ouverture de la porte, considérer l'image symétrique.

- Replacer les pièces de la charnière inférieure tel qu'illustré et serrer les vis. Voir l'illustration 1C de la charnière inférieure. Réinstaller la porte du congélateur.
REMARQUE : Prévoir un support additionnel de la porte pendant la réinstallation des charnières. La force d'attraction des aimants de la porte ne suffit pas à la maintenir en place.
- Assembler les pièces de la charnière supérieure (voir l'illustration 1B de la charnière supérieure). Ne pas complètement serrer les vis.
- Aligner la porte de façon à ce que la ligne inférieure soit de niveau avec la caisse. Serrer toutes les vis.

Étapes finales

- Inspecter tous les trous pour vérifier que tous les bouchons d'obturation et vis sont en place. Réinstaller le couvercle de la charnière supérieure. Voir l'illustration 1B de la charnière supérieure.
- Réinstaller la grille de la base. Voir la grille de la base sur l'illustration 1A.

⚠ AVERTISSEMENT



Risque de choc électrique

Brancher sur une prise à 3 alvéoles reliée à la terre.

Ne pas enlever la broche de liaison à la terre.

Ne pas utiliser un adaptateur.

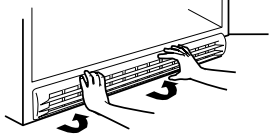
Ne pas utiliser un câble de rallonge.

Le non-respect de ces instructions peut causer un décès, un incendie ou un choc électrique.

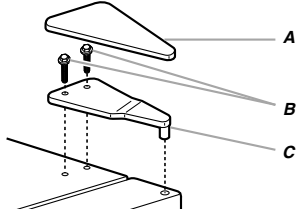
- Brancher sur une prise à 3 alvéoles reliée à la terre.
- Réinitialiser la commande. Voir "Utilisation de la commande".
- Réinstaller toutes les pièces amovibles de la porte et remettre les aliments dans le congélateur.

Dépose et réinstallation de la porte

Grille de la base **1A**

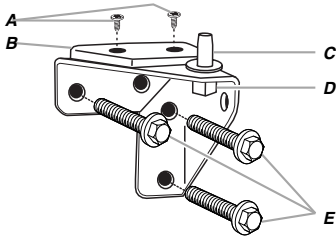


Charnière supérieure **1B**



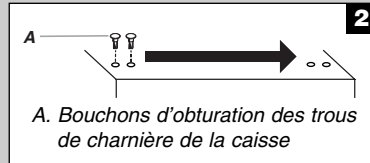
- A. Couverture de charnière supérieure
- B. Vis de charnière à tête hexagonale de 3/8" ou 5/8" (en fonction du modèle)
- C. Charnière supérieure

Charnière inférieure **1C**

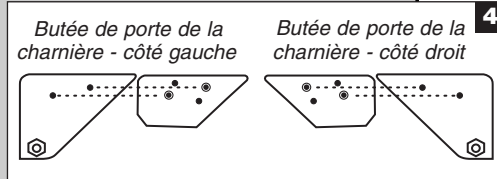


- A. Vis de butée de porte
- B. Butée de porte
- C. Axe de charnière
- D. Écrou de l'axe de charnière
- E. Vis de charnière à tête hexagonale de 5/8"

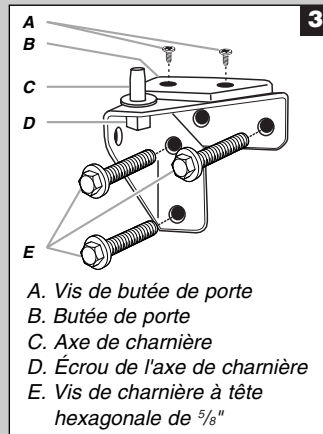
Inversion du sens d'ouverture de la porte (facultatif)



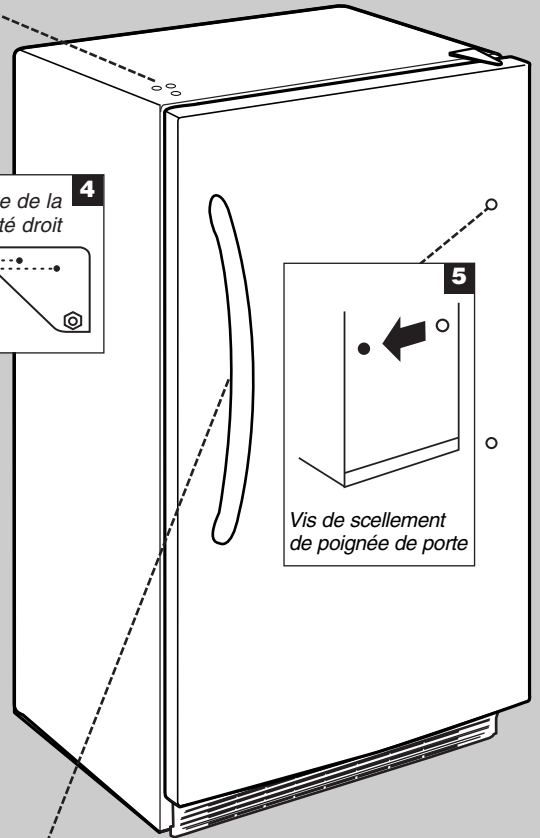
- A. Bouchons d'obturation des trous de charnière de la caisse



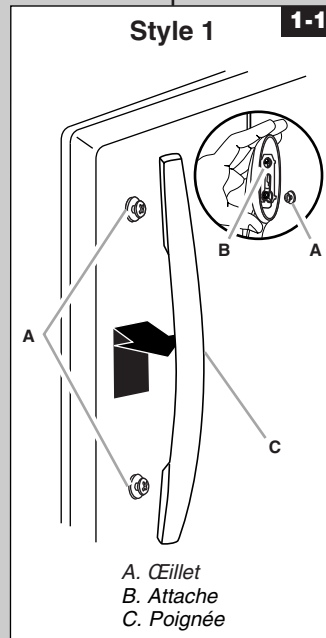
- Butée de porte de la charnière - côté gauche
- Butée de porte de la charnière - côté droit



- A. Vis de butée de porte
- B. Butée de porte
- C. Axe de charnière
- D. Écrou de l'axe de charnière
- E. Vis de charnière à tête hexagonale de 5/8"

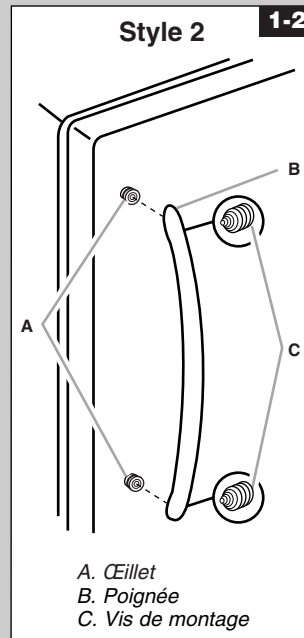


- 5. Vis de scellement de poignée de porte



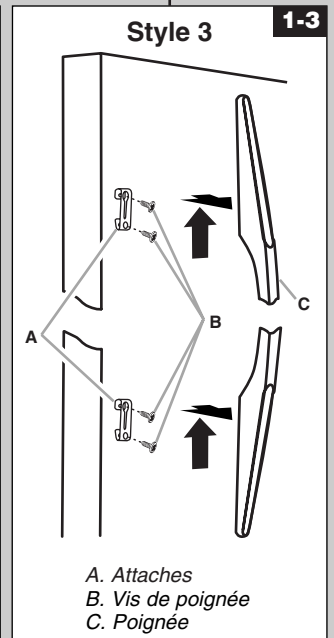
Style 1 **1-1**

- A. Œillet
- B. Attache
- C. Poignée



Style 2 **1-2**

- A. Œillet
- B. Poignée
- C. Vis de montage

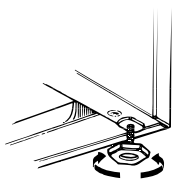


Style 3 **1-3**

- A. Attaches
- B. Vis de poignée
- C. Poignée

Ajustement de porte

1. Localiser les 2 pieds de nivellement à l'avant joints aux matériaux d'emballage.
2. Visser ces pieds dans les trous avant, à la base du congélateur. L'arrière du congélateur repose sur deux appuis fixes.
3. Ajuster les pieds avant juste assez pour soulever le meuble au-dessus du sol.
REMARQUE : Si votre modèle est équipé de roulettes, les pieds avant doivent être suffisamment abaissés pour mettre les roulettes hors service et s'assurer que le congélateur ne roule pas vers l'avant lorsqu'on ouvre la porte.
4. Placer un niveau au sommet du congélateur d'abord de côté à côté, puis de l'avant à l'arrière. Tourner le pied dans le sens antihoraire pour soulever un coin. Tourner le pied dans le sens horaire pour abaisser un coin.

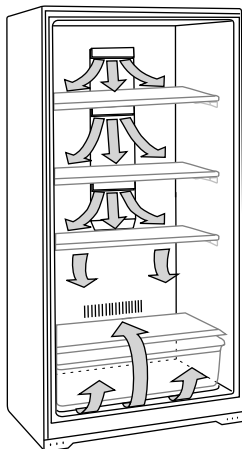


5. Répéter l'étape 4 jusqu'à ce que le congélateur soit d'aplomb.
6. Lorsque le congélateur est complètement rempli d'aliments, vérifier avec un niveau comme à l'étape 4.

UTILISATION DU CONGÉLATEUR

Pour s'assurer d'une circulation d'air appropriée

Pour s'assurer d'avoir des températures appropriées, il faut permettre à l'air de circuler dans le congélateur. Comme l'indique l'illustration, l'air froid pénètre dans tout le congélateur et se déplace vers le bas. L'air recircule ensuite par l'évent près de la base.



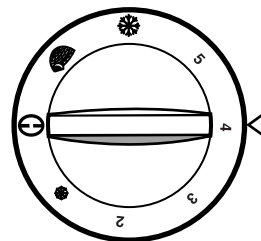
Ne pas obstruer l'une ou l'autre de ces ouvertures d'aération avec des aliments emballés. Si les ouvertures d'aération sont bloquées, le courant d'air sera coupé et des problèmes de température et d'humidité peuvent survenir.

IMPORTANT : Pour empêcher le transfert d'odeurs et l'assèchement des aliments, envelopper ou recouvrir hermétiquement les aliments.

Utilisation de la commande

Tourner la commande de température du congélateur à 4. Ce réglage est destiné à maintenir la température à ou près de 0° F (-17,8° C) dans des conditions normales d'utilisation.

Laisser le congélateur refroidir pendant 6 à 8 heures avant de le remplir d'aliments congelés. Laisser le congélateur refroidir une nuit avant d'ajouter de grandes quantités d'aliments non congelés. Ne pas ajouter plus de 2 à 3 lb (907 à 1350 g) d'aliments non congelés par pied cube (28,32 L) d'espace de congélation.



REMARQUE : Lors de la mise en marche initiale du congélateur, le compresseur fonctionne constamment, jusqu'à ce que le congélateur soit refroidi. Ce refroidissement peut demander jusqu'à 6 ou 8 heures (ou plus), selon la température ambiante et la fréquence des ouvertures de la porte du congélateur. Lorsque le congélateur est refroidi, le compresseur s'arrête et recommence au besoin, pour maintenir le congélateur à la température appropriée.

L'extérieur du congélateur peut paraître tiède. Ceci est normal. Le concept et la fonction principale du congélateur sont d'éliminer la chaleur des emballages et de l'espace d'air à l'intérieur du congélateur. La chaleur est transférée à l'air de la pièce, ce qui rend l'extérieur du congélateur tiède.

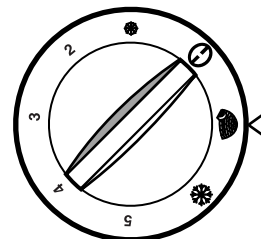
Ajustement de la commande de température

- Tourner la commande à un chiffre plus élevé pour des températures plus froides.
- Tourner la commande à un chiffre plus bas pour des températures moins froides.

REMARQUE : L'icône en forme de petit flocon de neige représente le numéro 1 ou le réglage le moins froid. L'icône en forme de gros flocon de neige représente le numéro 6 ou le réglage le plus froid.

Congélation rapide (sur certains modèles)

À ce réglage, le congélateur fonctionne continuellement et la température descend au plus bas niveau possible. Pour l'activer, régler le bouton de commande à l'icône en igloo, le réglage de congélation rapide. Utiliser cette caractéristique juste avant d'ajouter de grandes quantités d'aliments non congelés. Pour la meilleure qualité alimentaire, ne pas dépasser 3 livres (1350 g) par pied cube (28,32 L). Remettre la commande au réglage normal après 24 à 48 heures.



Alarme de la température (sur certains modèles)

Le dispositif de contrôle de la température est situé à gauche de la commande de température et émet un signal sonore lorsque la température atteint 10°F (-12°C) ou plus au-dessus de la température normale pour le réglage sélectionné.

Le dispositif d'alarme est contrôlé par un commutateur à trois positions.



- | Le réglage approprié pour une utilisation normale du congélateur. L'alarme est allumée et le témoin orange s'allume.
- 0 Empêche l'alarme de retentir lorsque le congélateur est tiède (lors du démarrage ou du dégivrage par exemple).
- ✓ Teste le dispositif d'alarme quelle que soit la température.

Témoin indicateur (sur certains modèles)

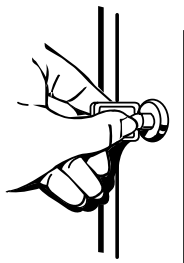
Un témoin indicateur vous assure que le congélateur fonctionne. Si le témoin indicateur n'est pas illuminé, vérifier immédiatement s'il existe :

- Une panne de courant.
- Un cordon électrique non branché.
- Un disjoncteur de circuit ouvert ou fusible grillé.
- Une ampoule de témoin indicateur grillée.



Serrure à clé séparée (sur certains modèles)

Pour verrouiller ou déverrouiller le congélateur, vous devez garder la clé dans la serrure en la tournant. La serrure est activée par ressort, de sorte que la clé ne peut pas être laissée dans la serrure.



Si la clé est perdue, contacter votre marchand pour un remplacement. Toujours donner les numéros de modèle et de série du congélateur lors d'une demande d'une clé de remplacement.

Machine à glaçons (sur certains modèles)

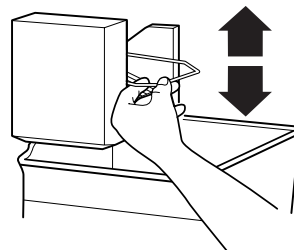
Mise en marche/arrêt de la machine à glaçons

REMARQUE : Ne pas forcer le commutateur du levier métallique vers le haut ou vers le bas.

- Pour mettre la machine à glaçons en marche, il suffit d'abaisser le levier métallique.

REMARQUE : Votre machine à glaçons a un arrêt automatique. Au fur et à mesure de la fabrication de la glace, les glaçons remplissent le bac d'entreposage de glaçons. Les glaçons soulèvent le levier métallique à la position OFF (élevée).

- Pour un arrêt manuel, soulever le levier métallique à la position OFF (élevée) et attendre le déclat pour s'assurer que la machine à glaçons ne continuera pas de fonctionner.



Taux de production de glaçons

La machine à glaçons devrait produire environ de 7 à 9 lots de glaçons par période de 24 heures. Si les glaçons ne sont pas fabriqués assez rapidement, tourner la commande de la température vers un chiffre plus élevé (plus froid) par étapes de un demi numéro. (Par exemple, si la commande est à 3, la déplacer entre 3 et 4.) Attendre 24 heures et, si nécessaire, tourner graduellement la commande de température au réglage le plus élevé, en attendant 24 heures entre chaque augmentation.

À noter

- Accorder 24 heures pour produire la première quantité de glaçons. Jeter les trois premières quantités de glaçons produites.
- La qualité de vos glaçons sera seulement aussi bonne que la qualité de l'eau fournie à votre machine à glaçons. Éviter de brancher la machine à glaçons à un approvisionnement d'eau adoucie. Les produits chimiques adoucisseurs d'eau (tels que le sel) peuvent endommager des pièces de la machine à glaçons et causer une piètre qualité des glaçons. Si une alimentation d'eau adoucie ne peut pas être évitée, s'assurer que l'adoucisseur d'eau fonctionne bien et qu'il est bien entretenu.
- Ne pas garder quoi que ce soit sur le dessus de la machine à glaçons ou dans le bac d'entreposage à glaçons.

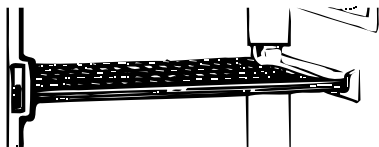
CARACTÉRISTIQUES DU CONGÉLATEUR

Ce manuel couvre plusieurs modèles différents. Le congélateur que vous avez acheté peut comporter certaines ou toutes les caractéristiques indiquées ci-dessous. Les emplacements des caractéristiques peuvent ne pas correspondre au modèle que vous avez.

Clayettes de réfrigération

(sur certains modèles)

Le congélateur est muni de clayettes intérieures réfrigérées. Les emballages en contact direct avec les clayettes auront la meilleure réfrigération. Des emballages d'aliments frais, non congelés, doivent être gardés directement sur les clayettes et non pas au-dessus des emballages d'aliments déjà congelés.



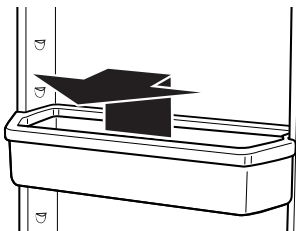
Lorsqu'on place des emballages d'aliments dans le congélateur, il faut se rappeler ce qui suit :

- Les clayettes de la caisse ont la meilleure capacité de congélation. Les compartiments dans la porte et la base de la caisse ont une température légèrement moins froide. Par conséquent, les emballages sensibles à la température (viande, volaille, etc.) ne devraient pas être placés dans les compartiments de la porte ou à la base du congélateur.
- Laisser de l'espace entre les emballages d'aliments, de sorte que l'air froid puisse circuler tout autour.

Balconnet de porte

Pour retirer et réinstaller le balconnet :

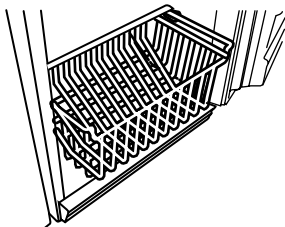
1. Retirer le balconnet en faisant basculer l'avant du balconnet vers l'avant et en le faisant glisser pour le sortir.
2. Réinstaller le balconnet en le faisant glisser au-dessus du support désiré et en le faisant basculer pour le remettre en place.



Panier d'entreposage

(sur certains modèles)

Le panier coulissant procure un espace de rangement séparé pour les articles difficiles à ranger sur les tablettes du congélateur. Pour retirer le panier, le tirer et le soulever.

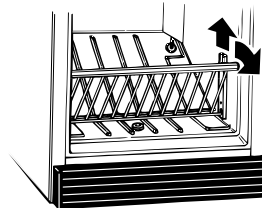


Barrière d'entreposage

(sur certains modèles)

Pour abaisser et lever la barrière d'entreposage :

1. Soulever légèrement le sommet de la barrière, hors des appuis. Tirer la barrière vers l'avant et vers le bas.
2. Retourner la grille à la position verticale. Soulever légèrement le sommet de la barrière pour la dégager des appuis. Abaisser la barrière dans les appuis.



ENTRETIEN DU CONGÉLATEUR

Nettoyage du congélateur sans givre

(certains modèles)

AVERTISSEMENT



Risque d'explosion

Utiliser un produit de nettoyage ininflammable.

Le non-respect de cette instruction peut causer un décès, une explosion ou un incendie.

“Sans givre” signifie que le congélateur n'aura pas besoin d'être dégivré. Le givre est enlevé par l'air en circulation qui accapare toute humidité et la dépose sur le serpentin de refroidissement. Le serpentin de refroidissement se réchauffe périodiquement, juste assez pour faire fondre le givre, et ensuite l'écoule dans le plat d'égouttage (situé derrière la grille de la base) où le liquide s'évapore.

Un nettoyage complet doit être fait au moins une fois par année.

1. Débrancher le congélateur ou déconnecter la source de courant électrique.
2. Retirer tous les aliments congelés. Envelopper les aliments congelés dans plusieurs épaisseurs de journaux et recouvrir d'une couverture. Les aliments demeureront congelés pendant plusieurs heures. On peut aussi entreposer les aliments congelés dans un contenant refroidisseur, un congélateur/réfrigérateur supplémentaire ou dans un endroit froid.
3. Laver les parois intérieures avec une solution de détergent doux dans de l'eau tiède ou avec 2 cuillerées à soupe (26 mg) de bicarbonate de sodium pour 1 pinte (0,95 L) d'eau tiède.
 - Ne pas utiliser des nettoyants abrasifs ou puissants tels que les nettoyants à vitre en atomiseurs, nettoyants à récurer, liquides inflammables, cires nettoyantes, détergents concentrés, agents de blanchiment ou nettoyants contenant du pétrole sur les pièces en plastique, les garnitures intérieures, ou garnitures et joints de portes. Ne pas utiliser d'essuie-tout, tampons à récurer ou autre outil de nettoyage abrasif. Ces produits risquent d'égratigner ou d'endommager les matériaux.

4. Bien rincer et essuyer avec un linge doux et propre.
5. Utiliser la méthode de nettoyage adéquate pour votre finition extérieure.

Métal peint : Laver les surfaces extérieures avec une éponge propre ou un linge doux et un détergent doux dans de l'eau tiède. Ne pas utiliser de nettoyant fort ou abrasif, ni de nettoyant conçu pour l'acier inoxydable. Sécher à fond avec un linge doux.

Finis en acier inoxydable : Laver avec une éponge propre ou un linge doux et un détergent doux dans de l'eau tiède. Ne pas utiliser de nettoyants forts ou abrasifs. Sécher à fond avec un linge doux.

- Pour que votre réfrigérateur en acier inoxydable conserve son aspect neuf et pour enlever les petites égratignures ou marques, il est suggéré d'utiliser le nettoyant et poli pour acier inoxydable approuvé par le fabricant.

IMPORTANT : Ce nettoyant doit être utilisé sur les pièces en acier inoxydable uniquement!

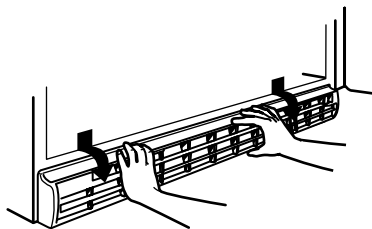
- Veiller à ce que le nettoyant et poli pour acier inoxydable n'entre pas en contact avec les pièces de plastique telles que garnitures, couvercles de distributeurs ou joints de porte. En cas de contact non intentionnel, nettoyer la pièce de plastique avec une éponge et un détergent doux et de l'eau tiède. Sécher à fond avec un linge doux.

6. Replacer tous les aliments congelés.
7. Brancher le congélateur ou reconnecter la source de courant électrique.
8. Voir "Utilisation de la commande".

Grille de la base

Pour enlever et replacer la grille de la base :

1. Ouvrir la porte du congélateur et retirer la grille de la base en la tirant vers le bas pour la dégager de la partie supérieure.
2. Réinstaller la grille de la base en plaçant les attaches dans les ouvertures sur le panneau du réfrigérateur. Enfoncer jusqu'à ce que la grille de la base s'enclenche en position.



Dégivrage et nettoyage du congélateur à dégivrage manuel (certains modèles)

AVERTISSEMENT



Risque d'explosion

Utiliser un produit de nettoyage ininflammable.

Le non-respect de cette instruction peut causer un décès, une explosion ou un incendie.

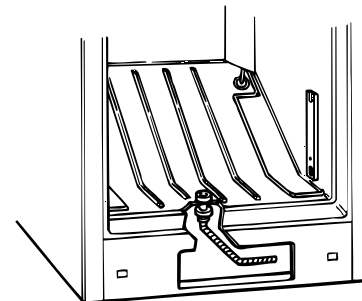
Dégivrer et nettoyer le congélateur lorsque le givre s'est accumulé à une épaisseur d'environ 1/4" (6 mm). Le dégivrage et le nettoyage au complet devraient être faits au moins une fois par année. Dans les endroits où l'humidité est élevée, un congélateur peut demander un dégivrage et un nettoyage plus fréquents.

Ne pas utiliser de nettoyants abrasifs sur le congélateur. Ne pas utiliser de cires à nettoyer, de détergents concentrés, d'agents de blanchiment, ou de nettoyants contenant du pétrole, sur les pièces en plastique. Des dommages peuvent survenir.

REMARQUE : Le bouchon d'écoulement doit être enlevé avant le dégivrage du congélateur et doit être bien replacé lorsque le dégivrage est terminé.

1. Débrancher le congélateur ou déconnecter la source de courant électrique.
2. Retirer tous les aliments congelés. Envelopper les aliments congelés dans plusieurs épaisseurs de journaux et recouvrir d'une couverture. Les aliments demeureront congelés pendant plusieurs heures. On peut aussi entreposer les aliments congelés dans un contenant refroidisseur, un congélateur additionnel de réfrigérateur ou dans un endroit froid.
3. Enlever la grille de la base. Voir "Grille de la base".
4. **Style 1—modèles avec système d'écoulement**
Accéder sous l'appareil et retirer le tuyau d'écoulement de l'ouverture. Le tuyau d'écoulement transporte l'eau de dégivrage à l'extérieur du congélateur, et à travers l'espace en arrière de la grille de la base. Placer un grand plat peu profond sous le tuyau d'écoulement. Enlever le bouchon d'écoulement à l'intérieur du congélateur.

REMARQUE : Vérifier fréquemment le plat d'écoulement pour éviter le débordement de l'eau. Garder un deuxième plat à proximité pour une vidange plus facile.



Style 2—modèles sans système d'écoulement

Utiliser une éponge ou une poire à jus pour enlever l'excès d'eau à la base du congélateur et vider l'eau dans un grand plat.

5. Placer des plats d'eau chaude dans le congélateur avec la porte ouverte pour hâter la décongélation. L'emploi d'un ventilateur électrique pour transmettre de l'air chaud dans le congélateur peut aussi aider. Ne pas placer le ventilateur ou tout dispositif électrique dans le congélateur.
6. Utiliser un grattoir en plastique pour enlever le givre.

REMARQUE : Ne pas utiliser un pic à glace, un couteau ou autre outil pointu pour dégivrer le congélateur. Des dommages peuvent survenir.
7. Essuyer l'eau des parois avec une serviette ou une éponge.
8. Laver les parois intérieures avec une solution de détergent doux dans de l'eau tiède ou avec 2 cuillerées à soupe (26 mg) de bicarbonate de sodium pour 1 pinte (0,95 L) d'eau tiède. Ne pas utiliser un nettoyant abrasif ou rude.
9. Bien rincer et essuyer avec un linge doux et propre.
10. Utiliser la méthode de nettoyage adéquate pour votre finition extérieure.

Métal peint : Laver les surfaces extérieures avec une éponge propre ou un linge doux et un détergent doux dans de l'eau tiède. Ne pas utiliser de nettoyant fort ou abrasif, ni de nettoyant conçu pour l'acier inoxydable. Sécher à fond avec un linge doux.

Finis en acier inoxydable : Laver avec une éponge propre ou un linge doux et un détergent doux dans de l'eau tiède. Ne pas utiliser de nettoyant fort ou abrasif, ni de nettoyant conçu pour l'acier inoxydable. Sécher à fond avec un linge doux.

- Pour que votre réfrigérateur en acier inoxydable conserve son aspect neuf et pour enlever les petites égratignures ou marques, il est suggéré d'utiliser le Nettoyant et poli pour acier inoxydable approuvé par le fabricant.

IMPORTANT : Ce nettoyant doit être utilisé sur les pièces en acier inoxydable uniquement!

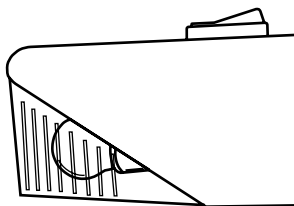
- Veiller à ce que le nettoyant et poli pour acier inoxydable n'entre pas en contact avec les pièces de plastique telles que garnitures, couvercles de distributeurs ou joints de porte. En cas de contact non intentionnel, nettoyer la pièce de plastique avec une éponge et un détergent doux et de l'eau tiède. Sécher à fond avec un linge doux. Pour commander le nettoyant, voir "Accessoires".
11. Pour les modèles avec système d'écoulement, vous devez replacer le tuyau d'écoulement, le bouchon d'écoulement et la grille de la base.
 12. Replacer tous les aliments congelés.
 13. Brancher le congélateur ou reconnecter la source de courant électrique.
 14. Voir "Utilisation de la commande".

Remplacement de l'ampoule d'éclairage

REMARQUE : Votre congélateur ne pourra pas accommoder toutes les ampoules pour appareils ménagers. S'assurer de remplacer l'ampoule par une ampoule de grosseur, de forme et de wattage semblables.

Style 1

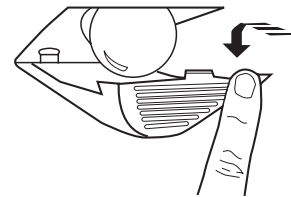
1. Débrancher le congélateur ou déconnecter la source de courant électrique.



2. Remplacer l'ampoule par une ampoule pour appareils ménagers de même puissance.
3. Brancher le congélateur ou reconnecter la source de courant électrique.

Style 2

1. Débrancher le congélateur ou déconnecter la source de courant électrique.
2. Enlever le protège-ampoule. À partir de l'avant du protège-ampoule, tirer vers l'arrière et vers le bas.



3. Remplacer l'ampoule par une ampoule pour appareils électroménagers de même wattage.
4. Réinstaller le protège-ampoule.
5. Brancher le congélateur ou reconnecter la source de courant électrique.

Pannes de courant électrique

Si le courant électrique doit être interrompu pendant 24 heures ou moins, garder la porte fermée pour aider les aliments à demeurer froids et congelés.

Si le service doit être interrompu pendant plus de 24 heures, faire l'une des choses suivantes :

- Retirer tous les aliments congelés et les entreposer dans un casier frigorifique.
- S'il n'y a pas de casier frigorifique, consommer ou mettre immédiatement en conserve les aliments périssables.

Après avoir rétabli l'alimentation électrique, débrancher le congélateur pendant 30 minutes, pour permettre au système de réfrigération de se stabiliser. Pendant ce temps, laisser la porte fermée si possible.

À noter : Un congélateur plein restera froid plus longtemps qu'un congélateur partiellement rempli. Un congélateur plein de viande demeure froid plus longtemps qu'un congélateur rempli d'aliments cuits. Si les aliments contiennent des cristaux de glace, ils peuvent être remis à congeler, cependant la qualité et la saveur risquent d'être affectées. Si les aliments semblent de piètre qualité ou douteux, les jeter.

Déménagement

En cas de déménagement et de déplacement du congélateur dans une nouvelle habitation, suivre ces étapes pour préparer le déménagement.

1. Enlever tous les aliments congelés.
2. Débrancher le congélateur.
3. Retirer toutes les pièces amovibles, bien les envelopper et les attacher ensemble avec du ruban adhésif pour qu'elles ne bougent ou ne s'entrechoquent pas durant le déménagement.
4. Bien nettoyer le congélateur.
5. Immobiliser le couvercle du congélateur avec un ruban adhésif et fixer le cordon électrique à la caisse avec un ruban adhésif.

Lorsque vous arrivez à la nouvelle demeure, consulter les sections "Instructions d'installation" et "Utilisation du congélateur" pour des renseignements sur l'installation et le réglage des commandes.

DÉPANNAGE

Essayer les solutions suggérées ici d'abord afin d'éviter le coût d'une visite de service inutile...

Le congélateur ne fonctionne pas

⚠ AVERTISSEMENT



Risque de choc électrique

Brancher sur une prise à 3 alvéoles reliée à la terre.

Ne pas enlever la broche de liaison à la terre.

Ne pas utiliser un adaptateur.

Ne pas utiliser un câble de rallonge.

Le non-respect de ces instructions peut causer un décès, un incendie ou un choc électrique.

- **Le cordon d'alimentation électrique est-il débranché?**
Brancher sur une prise à 3 alvéoles reliée à terre.
- **Le fusible est-il grillé ou le disjoncteur s'est-il déclenché?**
Remplacer le fusible ou enclencher de nouveau le disjoncteur.
- **Le réglage de la commande de température est-il à la position OFF/arrêt?** Voir la section "Utilisation de la commande".
- **Le congélateur se dégivre-t-il (sur certains modèles)?**
Vérifier de nouveau si le congélateur fonctionne après 30 minutes. Le congélateur exécute régulièrement un programme de dégivrage automatique.

Les ampoules ne fonctionnent pas

⚠ AVERTISSEMENT



Risque de choc électrique

Brancher sur une prise à 3 alvéoles reliée à la terre.

Ne pas enlever la broche de liaison à la terre.

Ne pas utiliser un adaptateur.

Ne pas utiliser un câble de rallonge.

Le non-respect de ces instructions peut causer un décès, un incendie ou un choc électrique.

- **Le cordon d'alimentation électrique est-il débranché?**
Brancher sur une prise à 3 alvéoles reliée à terre.
- **Une ampoule d'éclairage est-elle dévissée dans la douille ou est-elle grillée?** Voir la section "Remplacement de l'ampoule d'éclairage".

Le plat de dégivrage contient de l'eau (sur certains modèles)

- **Le congélateur est-il en train de se dégivrer?** L'eau s'évaporerait. Il est normal que l'eau dégoutte dans le plat de dégivrage.
- **Y a-t-il plus d'humidité que d'habitude?** Lorsqu'il y a de l'humidité, prévoir que l'eau dans le plat de dégivrage prendra plus de temps à s'évaporer.

Le moteur semble fonctionner excessivement

- **Est-ce que le givrage excessif ou un emballage empêche la porte de fermer?** Dégivrer et nettoyer le congélateur, ou déplacer l'emballage pour que la porte puisse bien se fermer.
- **La température ambiante est-elle plus chaude que normalement?** Prévoir que le moteur fonctionnera plus longtemps dans des conditions de chaleur. Aux températures ambiantes normales, prévoir que le moteur fonctionnera environ 40 % à 80 % du temps. Dans des conditions plus chaudes, prévoir un fonctionnement encore plus fréquent.
- **Une grande quantité d'aliments vient-elle d'être ajoutée au congélateur?** L'addition d'une grande quantité d'aliments réchauffe le congélateur. Il est normal que le moteur fonctionne plus longtemps afin de refroidir de nouveau le congélateur.
- **La porte est-elle ouverte fréquemment?**
Prévoir que le moteur fonctionnera plus longtemps dans ce cas. Afin de conserver l'énergie, essayer de sortir tout ce dont vous avez besoin à la fois, garder les aliments organisés et fermer la porte dès que possible.
- **La commande est-elle correctement réglée pour les conditions ambiantes?**
Voir la section "Utilisation de la commande".
- **La porte est-elle fermée complètement?**
Appuyer fermement sur la porte pour la fermer. Si elle ne ferme pas complètement voir "La porte ne ferme pas complètement ou est difficile à ouvrir" plus loin dans cette section.
- **Les serpentins du condenseur sont-ils sales? (sur certains modèles)?** Ceci empêche l'air de passer et fait plus travailler le moteur. Nettoyer les serpentins du condenseur. Voir la section "Entretien du congélateur".
- **Le joint d'étanchéité de la porte est-il scellé complètement?** Contacter une personne qualifiée ou un technicien.
- **Y a-t-il suffisamment d'espace pour la circulation de l'air autour du congélateur?** Voir la section "Exigences d'emplacement".

REMARQUE : Si le problème n'est pas attribuable à l'une des causes ci-dessus, se rappeler que votre congélateur neuf fonctionnera plus longtemps que votre ancien, grâce à son moteur à haute efficacité.

La machine à glaçons ne produit pas de glaçons ou pas assez (sur certains modèles)

- **La machine à glaçons vient-elle juste d'être installée?** Attendre 72 heures pour le commencement de la production complète de glaçons. Une fois que le congélateur est refroidi, la machine à glaçons devrait commencer à produire de 70 à 120 glaçons toutes les 24 heures.
- **La température du congélateur est-elle assez froide pour produire des glaçons?** Attendre 24 heures après le branchement pour la production de glaçons. Voir la section "Utilisation de la commande".
- **Le levier de la machine à glaçons est-il en position OFF/arrêt (élevée)?** Abaisser le levier métallique à la position ON (marche) (abaissée). Voir la section "Machine à glaçons".
- **Le robinet d'arrêt de la canalisation d'eau reliée au congélateur est-il ouvert?** Ouvrir le robinet d'eau. Voir la section "Raccordement de la canalisation d'alimentation en eau".
- **Y a-t-il de l'eau dans le moule de la machine à glaçons ou ne produit-elle pas de glaçons?** Vérifier si le congélateur a été branché à la canalisation d'eau de votre domicile, et si le robinet d'arrêt de la canalisation d'alimentation en eau est ouvert. Voir la section "Raccordement de la canalisation d'alimentation en eau".
- **Un glaçon est-il coincé dans le bras éjecteur?** Enlever le glaçon du bras éjecteur avec un ustensile en plastique. Voir la section "Machine à glaçons".
- **Une grande quantité de glaçons vient-elle d'être enlevée?** Attendre 24 heures pour que la machine à glaçons produise plus de glaçons.
- **La commande est-elle correctement réglée?** Si très peu de glaçons sont produits, voir la section "Utilisation de la commande".

REMARQUE : Si cette situation n'est pas attribuable à ce qui précède, il peut exister un problème avec la canalisation d'eau. Faire un appel de service.

Mauvais goût, odeur ou couleur grise des glaçons (sur certains modèles)

- **Les raccords de plomberie sont-ils neufs et causent-ils une décoloration et un mauvais goût des glaçons?** Jeter les premières quantités de glaçons.
- **Les glaçons ont-ils été gardés trop longtemps?** Jeter les vieux glaçons et en faire une nouvelle provision.

AVERTISSEMENT



Risque d'explosion

Utiliser un produit de nettoyage ininflammable.

Le non-respect de cette instruction peut causer un décès, une explosion ou un incendie.

- **Le congélateur et le bac à glaçons ont-ils besoin d'être nettoyés?** Voir la section "Entretien du congélateur".
- **L'eau contient-elle des minéraux (tels que le soufre)?** L'installation d'un filtre peut être requise afin d'enlever les minéraux.

La température est trop chaude

- **Les ouvertures d'aération sont-elles bloquées?** Enlever les objets devant les ouvertures. Voir la section "Pour s'assurer d'une circulation d'air appropriée" pour l'emplacement des ouvertures.
- **La porte est-elle ouverte fréquemment?** Le congélateur sera plus chaud lorsque la porte est ouverte fréquemment. Pour garder le congélateur froid, essayer de prendre tout ce dont vous avez besoin dans le congélateur à la fois, garder les aliments organisés, de sorte qu'il est facile de les trouver, et fermer la porte dès que les aliments sont retirés.
- **Une grande quantité d'aliments vient-elle d'être ajoutée au congélateur?** L'addition d'une grande quantité d'aliments réchauffe le congélateur. Plusieurs heures peuvent être nécessaires au congélateur pour retourner à la température normale.
- **La commande est-elle réglée correctement pour les conditions ambiantes?** Voir la section "Utilisation de la commande".

La porte ne ferme pas complètement ou est-elle difficile à ouvrir?

- **Des emballages alimentaires bloquent-ils l'ouverture de la porte?** Redisposer les contenants de sorte qu'ils sont plus serrés et prennent moins d'espace.
- **Le panier et les tablettes sont-ils déplacés? (sur certains modèles)?** Placer les tablettes et le panier à leur position correcte.

AVERTISSEMENT



Risque d'explosion

Utiliser un produit de nettoyage ininflammable.

Le non-respect de cette instruction peut causer un décès, une explosion ou un incendie.

- **Les joints sont-ils sales ou collants?** Nettoyer les joints d'après les directives de la section "Entretien du congélateur".
- **Le congélateur bouge-t-il ou semble-t-il instable?** Voir la section "Ajustement de porte".

Le congélateur émet un déclic, mais ne fonctionne pas

- **Y a-t-il eu une panne de courant au niveau local?** Débrancher le congélateur pendant 30 minutes pour permettre au système de réfrigération de se stabiliser. Au cours de ce temps, garder la porte fermée autant que possible.

ASSISTANCE OU SERVICE

Avant de faire un appel pour assistance ou service, veuillez vérifier la section “Dépannage”. Cette vérification peut vous faire économiser le coût d'une visite de service. Si vous avez encore besoin d'aide, suivez les instructions ci-dessous.

Lors d'un appel, veuillez connaître la date d'achat et les numéros de modèle et de série complets de votre appareil. Ces renseignements nous aideront à mieux répondre à votre demande.

Si vous avez besoin de pièces de rechange

Si vous avez besoin de commander des pièces de rechange, nous vous recommandons d'utiliser exclusivement des pièces spécifiées par l'usine. Les pièces spécifiées par l'usine fonctionneront bien car elles sont fabriquées selon la même précision utilisée pour fabriquer chaque nouvel appareil WHIRLPOOL®.

Pour savoir où trouver des pièces spécifiées par l'usine dans votre région, nous appeler ou contacter le centre de service désigné le plus proche.

Téléphoner au service de clientèle des États-Unis (numéro gratuit) : **1-800-253-1301**

Numéro gratuit au Canada : **1-800-807-6777**.

Pour plus d'assistance

Si vous avez besoin de plus d'assistance, vous pouvez nous écrire en soumettant toute question ou tout problème à :

Whirlpool Brand Home Appliances
Customer eXperience Center
200 – 6750 Century Ave.
Mississauga, ON L5N 0B7

GARANTIE DE GROS APPAREIL MÉNAGER WHIRLPOOL CORPORATION

GARANTIE LIMITÉE

Pendant un an à compter de la date d'achat, lorsque ce gros appareil ménager est utilisé et entretenu conformément aux instructions jointes à ou fournies avec le produit, Whirlpool Corporation ou Whirlpool Canada LP (ci-après désignées "Whirlpool") paiera pour les pièces spécifiées par l'usine et la main-d'œuvre pour corriger les vices de matériaux ou de fabrication qui existaient déjà lorsque ce gros appareil ménager a été acheté. Le service doit être fourni par une compagnie de service désignée par Whirlpool. LE SEUL ET EXCLUSIF RECOURS DU CLIENT DANS LE CADRE DE LA PRÉSENTE GARANTIE LIMITÉE CONSISTE EN LA RÉPARATION PRÉVUE CI-DESSUS. Cette garantie limitée est valide uniquement aux États-Unis ou au Canada et s'applique exclusivement lorsque le gros appareil ménager est utilisé dans le pays où il a été acheté. Une preuve de la date d'achat d'origine est exigée pour obtenir un service dans le cadre de la présente garantie limitée.

ÉLÉMENTS EXCLUS DE LA GARANTIE

La présente garantie limitée ne couvre pas :

1. Les pièces de rechange ou la main-d'œuvre lorsque ce gros appareil ménager est utilisé à des fins autres que l'usage domestique unifamilial normal ou lorsque les instructions d'installation et/ou les instructions de l'opérateur ou de l'utilisateur fournies ne sont pas respectées.
 2. Les visites de service pour rectifier l'installation du gros appareil ménager, montrer à l'utilisateur comment utiliser le gros appareil ménager, remplacer ou réparer des fusibles du domicile ou rectifier le câblage ou la plomberie du domicile.
 3. Les visites de service pour réparer ou remplacer les ampoules électriques, les filtres à air ou les filtres à eau de l'appareil. Les pièces consommables ne sont pas couvertes par la garantie.
 4. Les dommages imputables à : accident, modification, usage impropre ou abusif, incendie, inondation, actes de Dieu, installation fautive ou installation non conforme aux codes d'électricité ou de plomberie, ou l'utilisation de produits non approuvés par Whirlpool.
 5. Les défauts d'apparence, notamment les éraflures, traces de choc, fissures ou tout autre dommage subi par le fini du gros appareil ménager, à moins que ces dommages ne résultent de vices de matériaux ou de fabrication et ne soient signalés à Whirlpool dans les 30 jours suivant la date d'achat.
 6. Toute perte d'aliments ou de médicaments due à une défaillance du réfrigérateur ou du congélateur.
 7. Le ramassage et la livraison. Ce gros appareil ménager est conçu pour être réparé à domicile.
 8. Les réparations aux pièces ou systèmes résultant d'une modification non autorisée faite à l'appareil.
 9. Les frais de déplacement et de transport pour le service du produit si votre gros appareil ménager est situé dans une région éloignée où un fournisseur de services d'entretien ou de réparation Whirlpool autorisé n'est pas disponible.
 10. La dépose et la réinstallation de votre gros appareil ménager si celui-ci est installé dans un endroit inaccessible ou n'est pas installé conformément aux instructions d'installation fournies par Whirlpool.
 11. Les pièces de rechange ou la main-d'œuvre pour les gros appareils ménagers dont les numéros de modèle/de série ont été enlevés, modifiés ou ne peuvent pas être facilement identifiés.
 12. La décoloration ou l'oxydation des surfaces en acier inoxydable ou encore l'apparition de rouille sur ces surfaces.
-

CLAUSE D'EXONÉRATION DE RESPONSABILITÉ AU TITRE DES GARANTIES IMPLICITES

LES GARANTIES IMPLICITES, Y COMPRIS LES GARANTIES APPLICABLES DE QUALITÉ MARCHANDE OU D'APTITUDE À UN USAGE PARTICULIER, SONT LIMITÉES À UN AN OU À LA PLUS COURTE PÉRIODE AUTORISÉE PAR LA LOI. Certains États et provinces ne permettent pas de limitation sur la durée d'une garantie implicite de qualité marchande ou d'aptitude à un usage particulier, de sorte que la limitation ci-dessus peut ne pas être applicable dans votre cas. Cette garantie vous confère des droits juridiques spécifiques, et vous pouvez également jouir d'autres droits qui peuvent varier d'une juridiction à l'autre.

LIMITATION DES RECOURS; EXCLUSION DES DOMMAGES FORTUITS OU INDIRECTS

LE SEUL ET EXCLUSIF RECOURS DU CLIENT DANS LE CADRE DE LA PRÉSENTE GARANTIE LIMITÉE CONSISTE EN LA RÉPARATION PRÉVUE CI-DESSUS. WHIRLPOOL N'ASSUME AUCUNE RESPONSABILITÉ POUR LES DOMMAGES FORTUITS OU INDIRECTS. Certains États et certaines provinces ne permettent pas l'exclusion ou la limitation des dommages fortuits ou indirects, de sorte que ces limitations et exclusions peuvent ne pas être applicables dans votre cas. Cette garantie vous confère des droits juridiques spécifiques, et vous pouvez également jouir d'autres droits qui peuvent varier d'une juridiction à l'autre.

Si vous résidez à l'extérieur des 50 États des États-Unis et du Canada, contactez votre marchand Whirlpool autorisé pour déterminer si une autre garantie s'applique.

Si vous avez besoin d'un service de réparation, voir d'abord la section "Dépannage" du guide d'utilisation et d'entretien. Si vous êtes dans l'incapacité de résoudre le problème après avoir vérifié la section "Dépannage", vous pourrez trouver de l'aide supplémentaire en vérifiant la section "Assistance ou service" ou en appelant Whirlpool. Aux États-Unis, composer le **1-800-253-1301**. Au Canada, composer le **1-800-807-6777**.

6/08

Conservez ce manuel et votre reçu de vente ensemble pour référence ultérieure. Pour le service sous garantie, vous devez présenter un document prouvant la date d'achat ou d'installation.

Inscrivez les renseignements suivants au sujet de votre gros appareil ménager pour mieux vous aider à obtenir assistance ou service en cas de besoin. Vous devrez connaître le numéro de modèle et le numéro de série au complet. Vous trouverez ces renseignements sur la plaque signalétique située sur le produit.

Nom du marchand _____

Adresse _____

Numéro de téléphone _____

Numéro de modèle _____

Numéro de série _____

Date d'achat _____