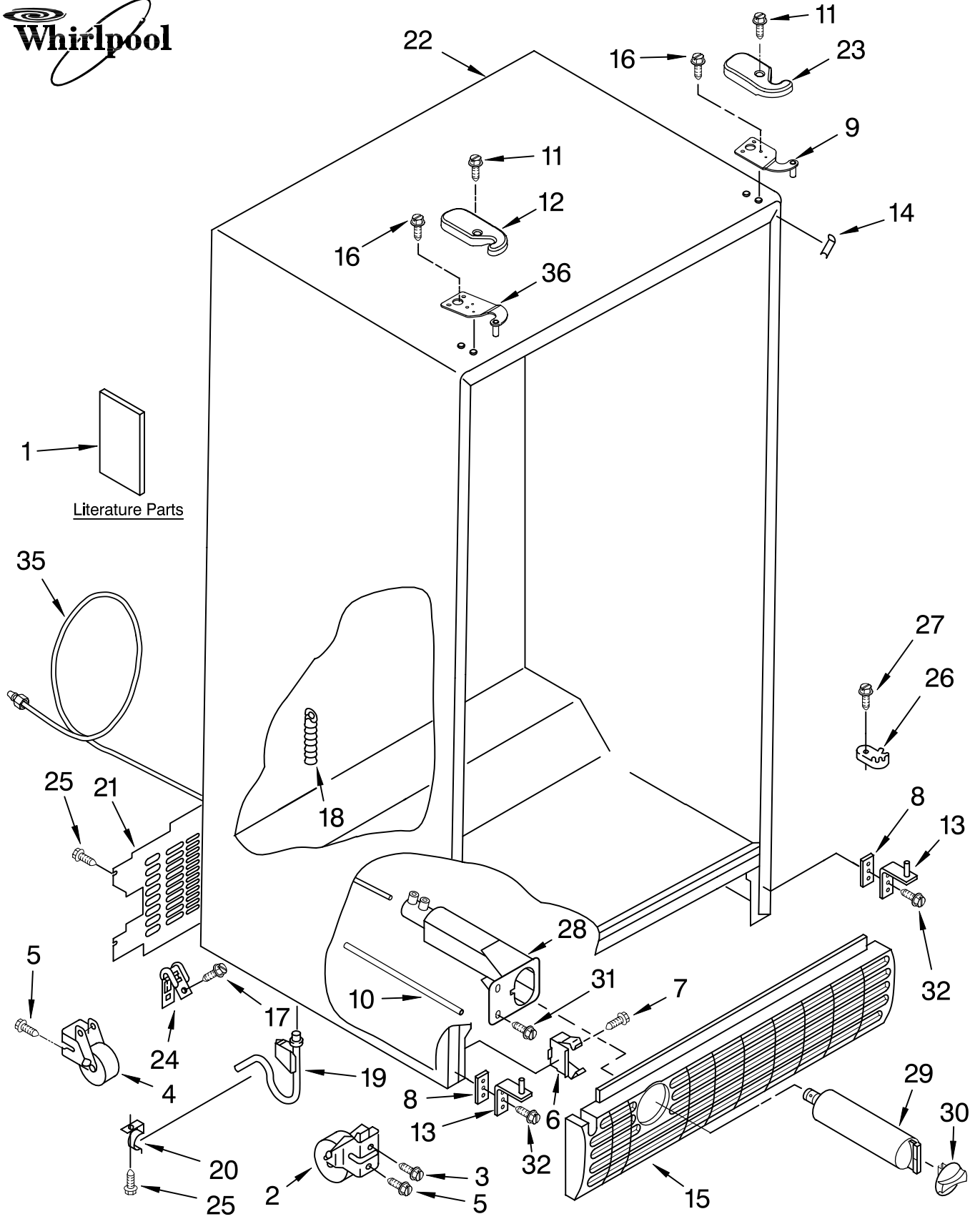


CABINET PARTS

REFRIGERATOR

For Models: GS5SHAXNQ01, GS5SHAXNT01, GS5SHAXNB01, GS5SHAXNS01, GS5SHAXNL01
(White) (Biscuit) (Black) (Stainless Steel) (Stainless VCM)



FOR ORDERING INFORMATION REFER TO PARTS PRICE LIST

CABINET PARTS

For Models: GS5SHAXNQ01, GS5SHAXNT01, GS5SHAXNB01, GS5SHAXNS01, GS5SHAXNL01
 (White) (Biscuit) (Black) (Stainless Steel) (Stainless VCM)

Illus. No.	Part No.	DESCRIPTION	Illus. No.	Part No.	DESCRIPTION	Illus. No.	Part No.	DESCRIPTION
1		Literature Parts	6	2155013	Clip, Grille	21	2188739	Cover, Unit
	2305895	Energy Guide	7	489478	Screw	22		Cabinet (Not A Serviceable Part)
	2261717	Owner's Manual	8	2156056	Shim	23		Hinge Cover
	2255955	Service & Wiring Sheet	9	2203771	Hinge Top (RC)		2203408W	White
	2220407	Modular Ice maker Service Sheet	10	2255012	Tube, Filter Outlet		2203408T	Biscuit
	2261039	Instruction Sheet, Door Removal	11	8281227	Screw		2203408B	Black
			12		Hinge Cover	24	549193	Clamp, Service Cord
				2203407W	White	25	489084	Screw
				2203407T	Biscuit	26	2155311	Door Closer, Lower Cam (2)
				2203407B	Black	27	489483	Screw
			13	2304322	Hinge Bottom (2)	28	2186443	Housing, Water Filter
			14		Filler, Wrapper	29	2255519	Water Filter
				2196094	White	30		Cap, Water Filter
				2196150	Biscuit		2186494W	White
				2196097	Black		2186494T	Biscuit
			15		Grille		2186494B	Black
				2198468W	White	31	489500	Screw
				2198468T	Biscuit	32	3400113	Screw
				2198468B	Black	35	2305536	Tube, Filter Inlet
			16	489497	Screw	36	2203770	Hinge Top (FC)
			17	489464	Screw			
			18	940139	Drain Fitting			
			19	1108438	Extension Tube			
			20	1108439	Clip, Drain Tube			

Following May Be Purchased

DO-IT-YOURSELF REPAIR MANUALS

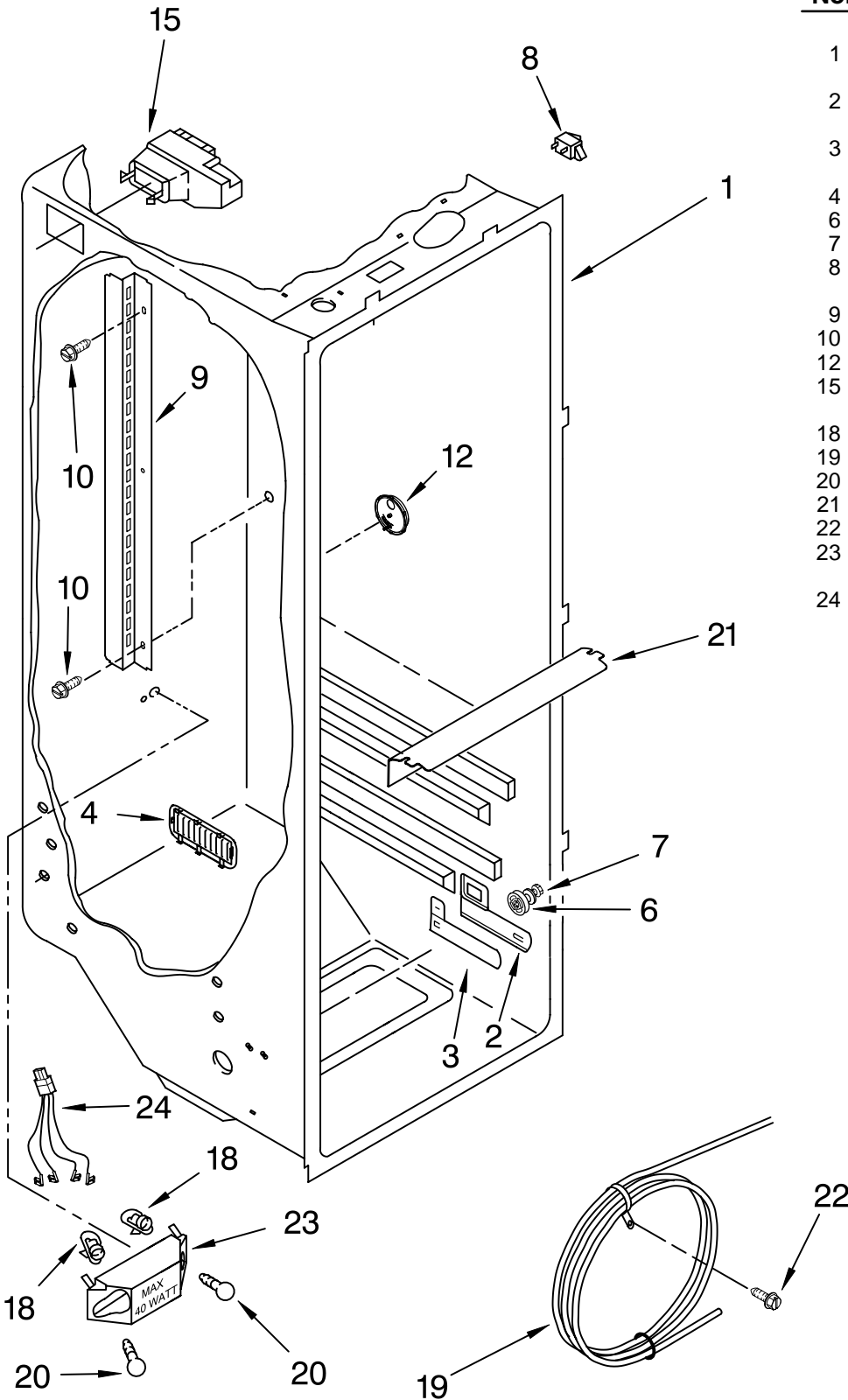
787316 Ice maker

2 2174748 Front Roller (2)
 3 3400517 Screw
 4 2196236 Roller (Rear) (2)
 5 489427 Screw

REFRIGERATOR LINER PARTS

For Models: GS5SHAXNQ01, GS5SHAXNT01, GS5SHAXNB01, GS5SHAXNS01, GS5SHAXNL01
 (White) (Biscuit) (Black) (Stainless Steel) (Stainless VCM)

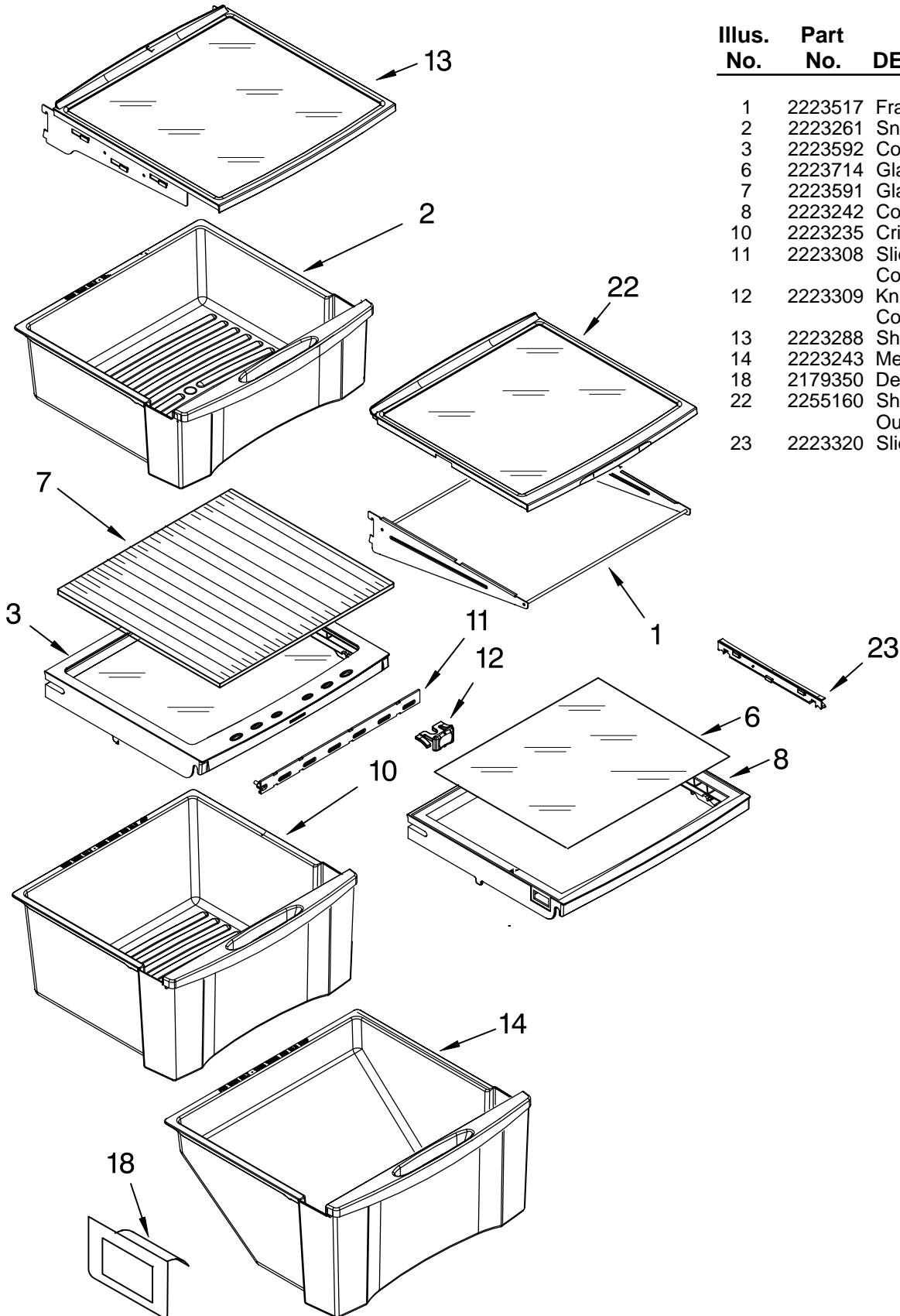
Illus. No.	Part No.	DESCRIPTION
1		Liner (Not A Serviceable Part)
2	2194744	Escutcheon, Meat Pan Control
3	2182757	Slide Meat Pan Control
4	2257741	Louver
6	2196485	Stud Assembly
7	3400894	Screw
8	1118894	Switch, Rocker Arm
9	2206273	Shelf Ladder
10	489478	Screw
12	2261601	Door Control Asm
15	2209753	Air Diffuser Assembly
18	2162085	Socket
19	2217199	Reservoir
20	2255743	Light Bulb
21	2209769	Light Lens
22	488280	Screw
23	2256035	Bracket, Dual Crisper
24	2256037	Wire Harness, Dual Crisper



FOR ORDERING INFORMATION REFER TO PARTS PRICE LIST

REFRIGERATOR SHELF PARTS

For Models: GS5SHAXNQ01, GS5SHAXNT01, GS5SHAXNB01, GS5SHAXNS01, GS5SHAXNL01
 (White) (Biscuit) (Black) (Stainless Steel) (Stainless VCM)

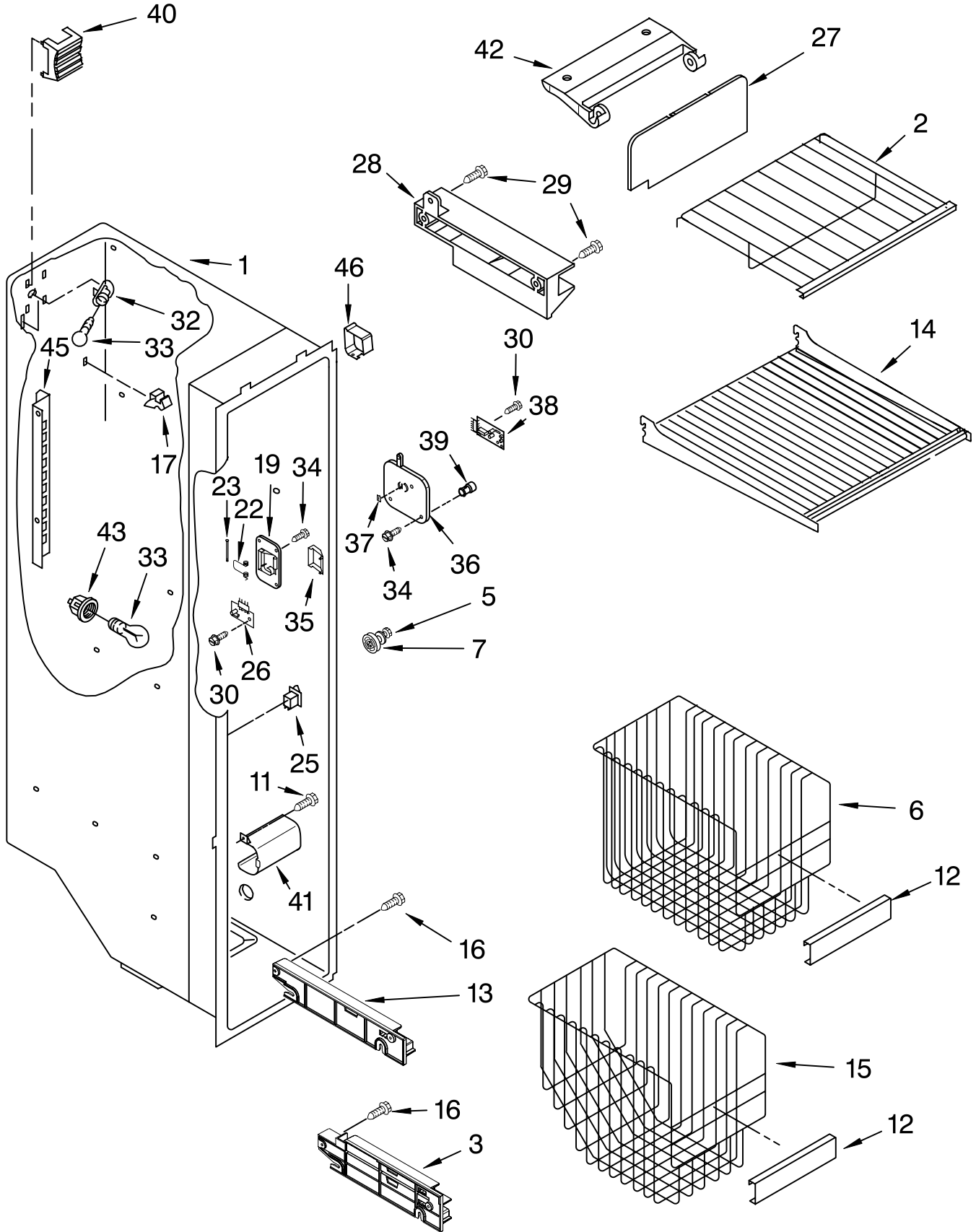


Illus. No.	Part No.	DESCRIPTION
1	2223517	Frame Assembly
2	2223261	Snack Bin Asm
3	2223592	Cover, Crisper
6	2223714	Glass, Meat Cover
7	2223591	Glass, Cover
8	2223242	Cover, Meat Pan
10	2223235	Crisper Pan Asm
11	2223308	Slide, Humidity Control
12	2223309	Knob, Humidity Control
13	2223288	Shelf Pan Assembly
14	2223243	Meat Pan Asm
18	2179350	Deflector
22	2255160	Shelf, Slide Out (2)
23	2223320	Slide, Pan

FOR ORDERING INFORMATION REFER TO PARTS PRICE LIST

FREEZER LINER PARTS

For Models: GS5SHAXNQ01, GS5SHAXNT01, GS5SHAXNB01, GS5SHAXNS01, GS5SHAXNL01
 (White) (Biscuit) (Black) (Stainless Steel) (Stainless VCM)



FOR ORDERING INFORMATION REFER TO PARTS PRICE LIST

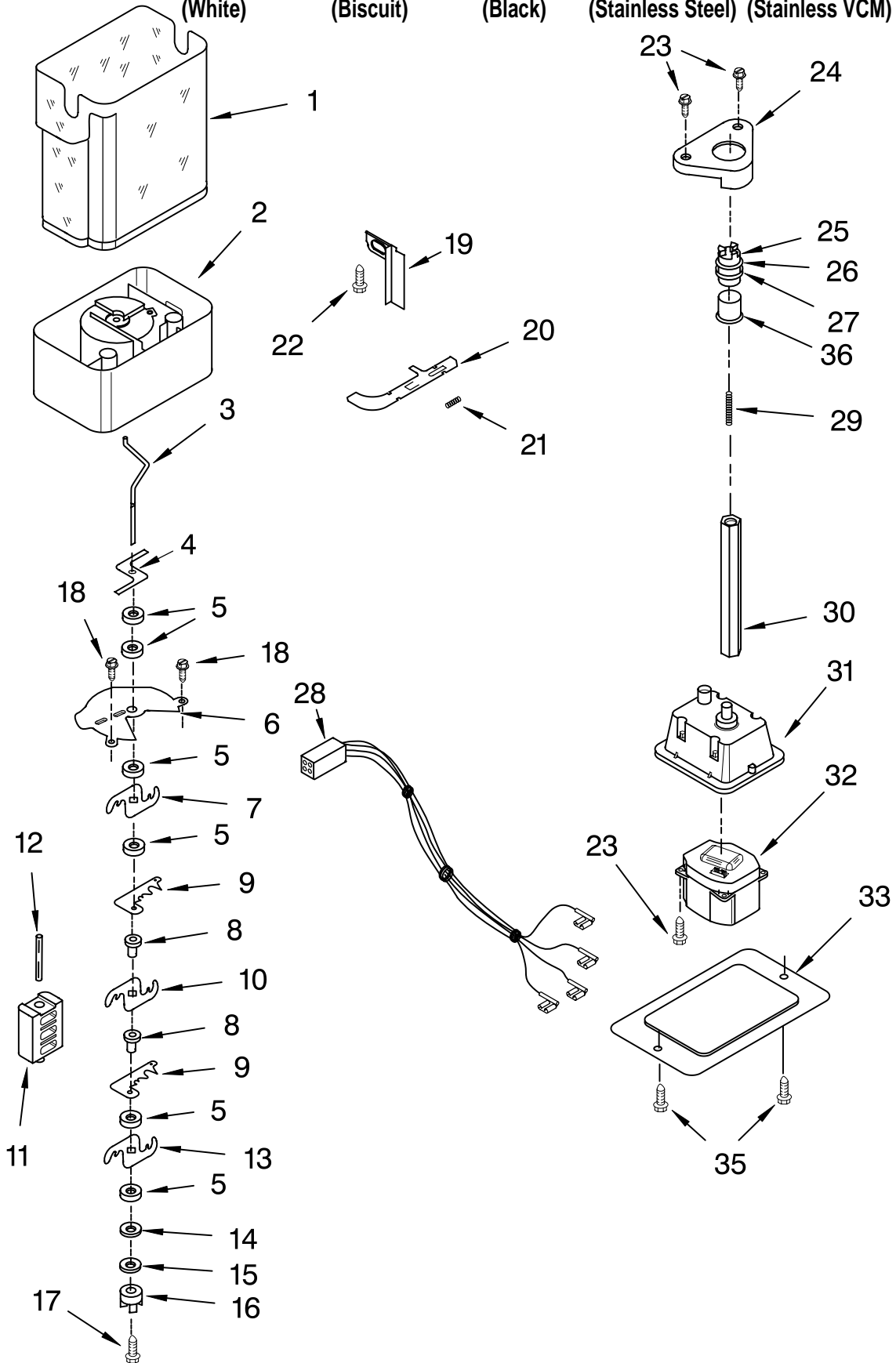
FREEZER LINER PARTS

For Models: GS5SHAXNQ01, GS5SHAXNT01, GS5SHAXNB01, GS5SHAXNS01, GS5SHAXNL01
 (White) (Biscuit) (Black) (Stainless Steel) (Stainless VCM)

Illus. No.	Part No.	DESCRIPTION
1		Liner (Not A Serviceable Part)
2	2211746	Shelf, Slide Out
3		Track, Basket-Dual
	2301293	Right
	2301294	Left
5	2196483	Stud Assembly
6	2301191	Basket, Tall
7	8281158	Screw
11	3400893	Screw
12	2195905	Trim, Basket
13		Shelf Track
	2301289	Right Side
	2301290	Left Side
14	2205837	Shelf
15	2301190	Basket, Sloped
16	486298	Screw (8)
17	842534	Clip, Air Duct (2)
19	2255572	Cover, Emitter
22	2198635	Spring
23	2198634	Pin
25	1115373	Switch, Rocker Arm
26	2220398	P.C. Board Emitter
27	2255588	Cover, Ice Maker
28	2212321	Slide, Ice Maker Mounting
29	489478	Screw
30	489214	Screw
32	2162085	Light Socket
33	2255743	Light Bulb
34	8281185	Screw
35	2198633	Flipper
36	2255558	Cover, Receiver
37	2255562	Slide, Ice Maker Shut Off
38	2255114	P.C. Board, Receiver
39	2198643	Lens
40	2198589	Light Shield
41	2212340	Light Lens
42	2198641	Bracket, Ice Maker Cover
43	2155597	Socket, Light
45		Ladder
	2198609	Left Side
	2198610	Right Side
46	2219878	Shield, Wiring

MOTOR AND ICE CONTAINER PARTS

For Models: GS5SHAXNQ01, GS5SHAXNT01, GS5SHAXNB01, GS5SHAXNS01, GS5SHAXNL01
 (White) (Biscuit) (Black) (Stainless Steel) (Stainless VCM)



FOR ORDERING INFORMATION REFER TO PARTS PRICE LIST

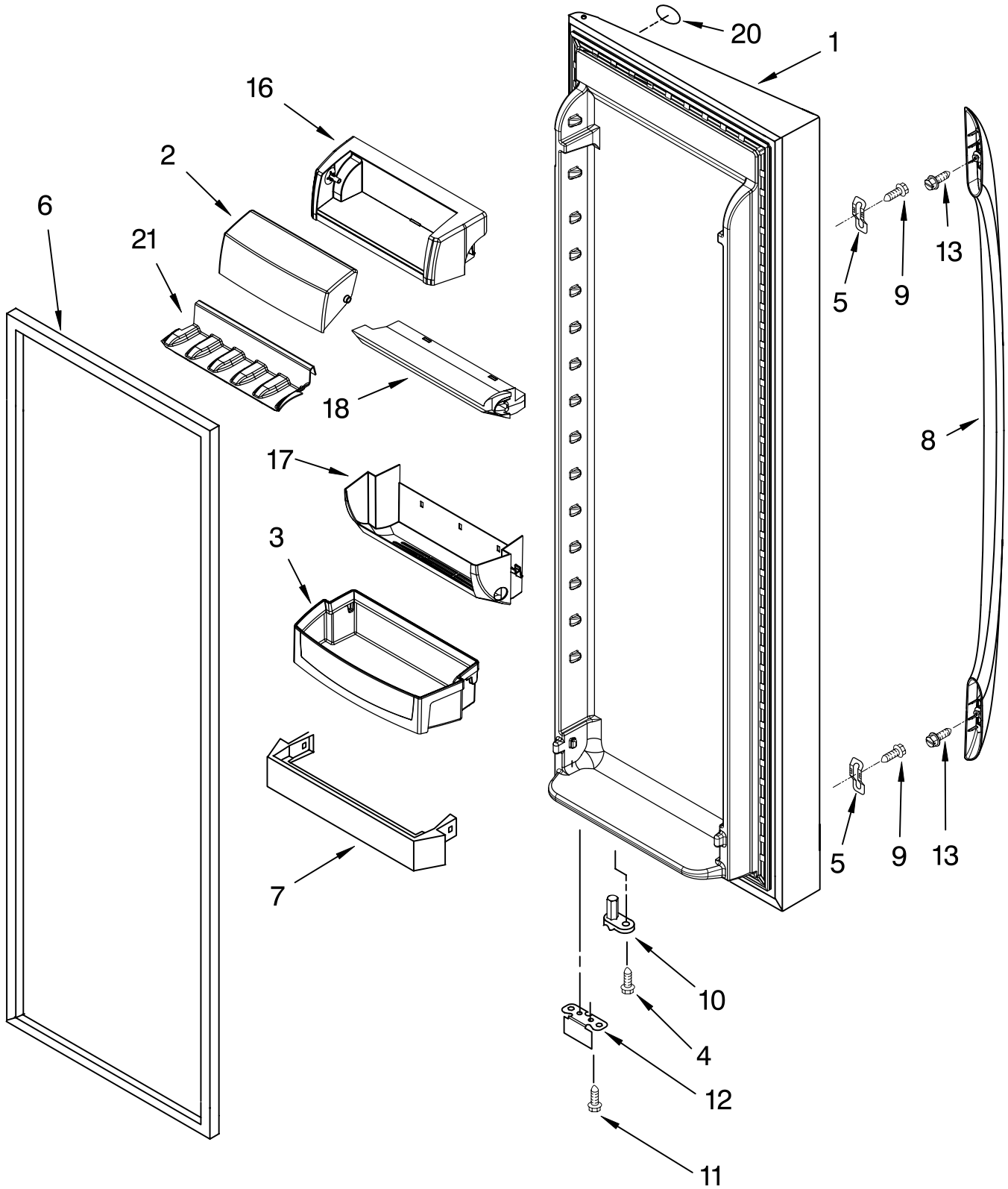
MOTOR AND ICE CONTAINER PARTS

For Models: GS5SHAXNQ01, GS5SHAXNT01, GS5SHAXNB01, GS5SHAXNS01, GS5SHAXNL01
 (White) (Biscuit) (Black) (Stainless Steel) (Stainless VCM)

Illus. No.	Part No.	DESCRIPTION
1	2198573	Ice Bin
2	2255574	Crusher Bin
3	2211590	Auger
4	2257021	Blade, Stirring
5	1119007	Spacer, Flat (6)
6	2255460	Cover, Crusher
7	2257024	Blade, Rotary
8	1119005	Spacer, Step (2)
9	2257020	Blade, Fixed
10	2257023	Blade, Rotary
11	2198602	Block, Blade
12	489229	Roll Pin
13	2257022	Blade, Rotary
14	489235	Washer, Plain
15	2198661	Washer, Coupling
16	2220457	Coupling
17	8281164	Screw
18	3400065	Screw
19	2255575	Button, Bin
20	2212371	Latch, Bin
21	2198608	Spring, Latch
22	2198671	Screw (2)
23	8281163	Screw
24	2212369	Holder
25	2220458	Coupling, Bottom
26	2198628	Seal
27	2212370	Washer
28	2187725	Wire Harness, IDI Motor
29	2198607	Spring
30	999536	Drive Shaft
31	2256154	Enclosure, Motor
32	2252130	Dispenser, Motor
33	2212305	Cover
35	489478	Screw
36	2212365	Sleeve, Coupling

REFRIGERATOR DOOR PARTS

For Models: GS5SHAXNQ01, GS5SHAXNT01, GS5SHAXNB01, GS5SHAXNS01, GS5SHAXNL01
(White) (Biscuit) (Black) (Stainless Steel) (Stainless VCM)



FOR ORDERING INFORMATION REFER TO PARTS PRICE LIST

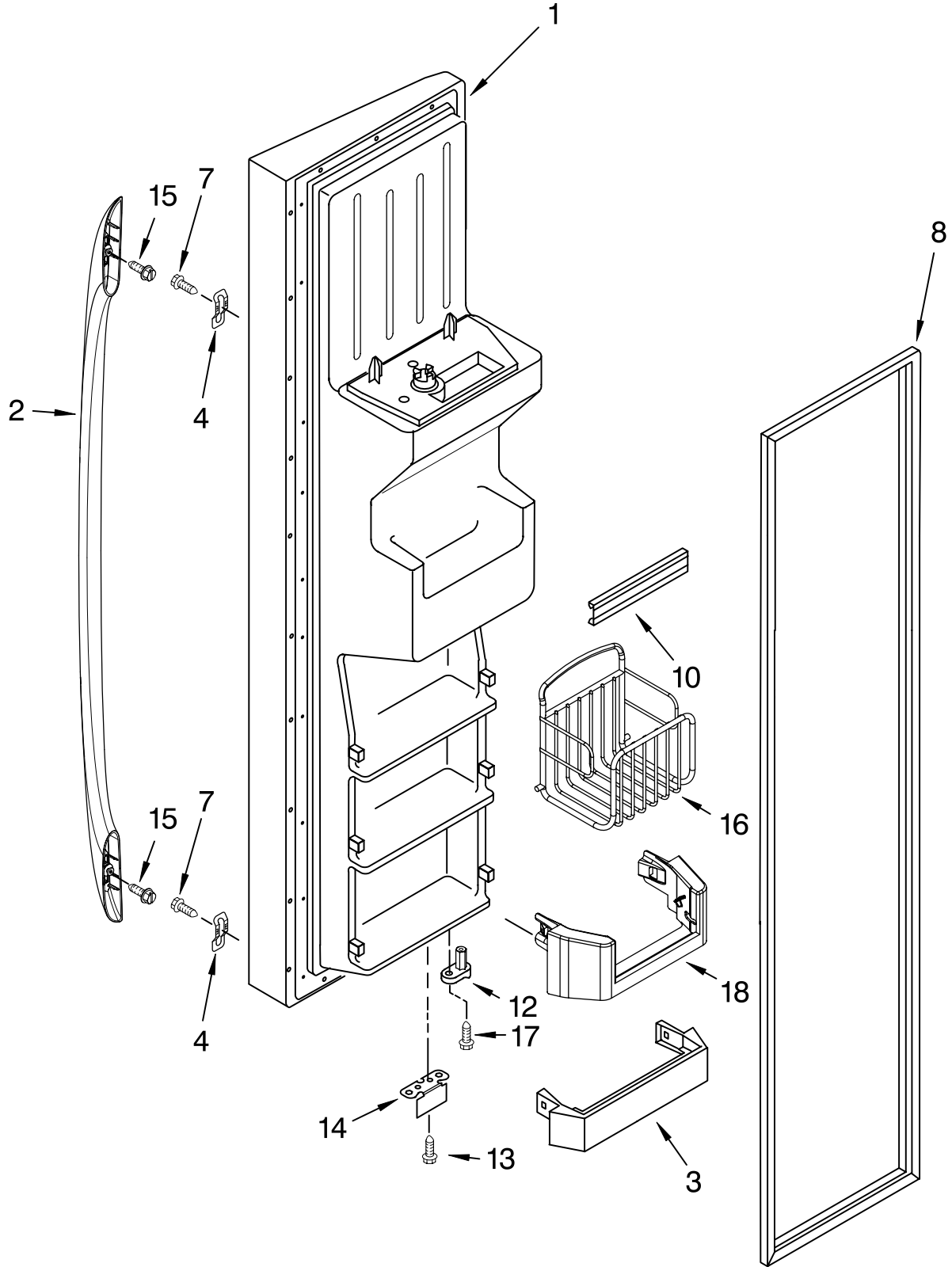
REFRIGERATOR DOOR PARTS

For Models: GS5SHAXNQ01, GS5SHAXNT01, GS5SHAXNB01, GS5SHAXNS01, GS5SHAXNL01
 (White) (Biscuit) (Black) (Stainless Steel) (Stainless VCM)

Illus. No.	Part No.	DESCRIPTION
1		Refrigerator Door (Includes Item #6)
	2255535W	White
	2255535T	Biscuit
	2255535B	Black
	2255535SB	Stainless Steel
	2255535LB	Stainless VCM
2	2255421	Dairy Door
3	2223239	Door Bin (3)
4	3400012	Screw
5	2255411	Clip
6		Door Gasket, Magnetic
	2221302	Mist Beige
	2221313	Black
7	2223727	Trivet
8		Handle (Includes #13)
	2308115W	White
	2308115T	Biscuit
	2308115B	Black
9	489491	Screw (4)
10	2182178	Door Closer, Upper Cam
11	489420	Screw
12		Bracket, Door Stop
	2200082	Chrome
	2200082B	Black
13	8533920	Screw
16	2255420	Door Compartment
17	2255422	Frame, Can Rack
18	2255424	Air Diffuser Asm
20	2220214	Nameplate
21	2255423	Floor, Can Rack

FREEZER DOOR PARTS

For Models: GS5SHAXNQ01, GS5SHAXNT01, GS5SHAXNB01, GS5SHAXNS01, GS5SHAXNL01
(White) (Biscuit) (Black) (Stainless Steel) (Stainless VCM)



FOR ORDERING INFORMATION REFER TO PARTS PRICE LIST

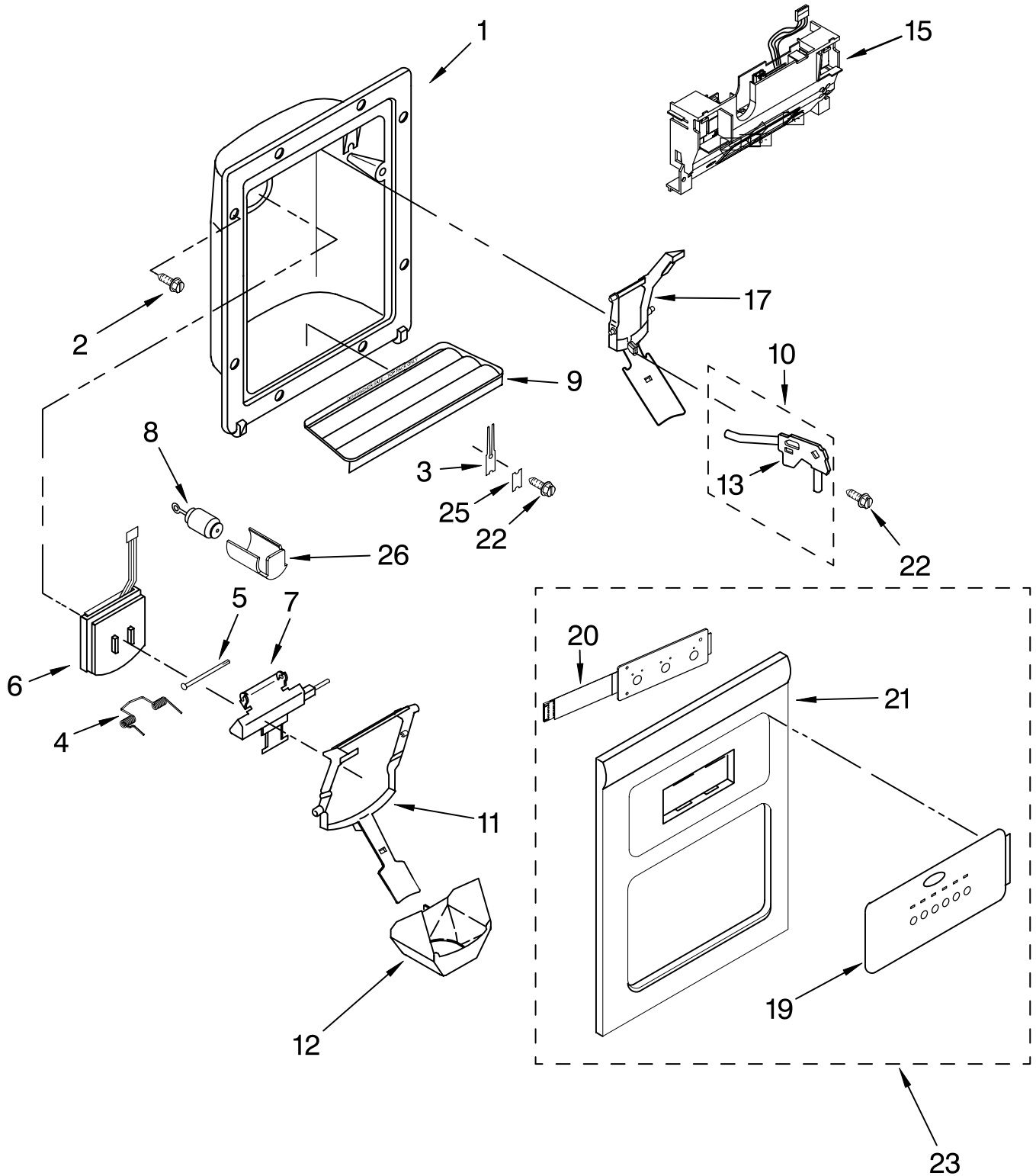
FREEZER DOOR PARTS

For Models: GS5SHAXNQ01, GS5SHAXNT01, GS5SHAXNB01, GS5SHAXNS01, GS5SHAXNL01
 (White) (Biscuit) (Black) (Stainless Steel) (Stainless VCM)

Illus. No.	Part No.	DESCRIPTION
1		Freezer Door (Includes #8 And Dispenser Front Parts)
	2261764W	White
	2261764T	Biscuit
	2261764B	Black
	2261764SB	Stainless Steel
	2261764LB	Stainless VCM
2		Handle (Includes #15)
	2308115W	White
	2308115T	Biscuit
	2308115B	Black
3	2171157	Trivet (4)
4	2255411	Clip
7	489491	Screw (4)
8		Door Gasket, Magnetic
	2221303	Mist Beige
	2221314	Black
10	2219982	Trim, Door Shelf
12	2182179	Door Closer, Upper Cam
13	489420	Screw
14		Bracket, Door Stop
	2200082	Chrome
	2200082B	Black
15	8533920	Screw
16	2304309	Basket, Tilt-Out (2)
17	3400012	Screw
18	2223334	Trivet, Tilt-Out (2)

DISPENSER FRONT PARTS

For Models: GS5SHAXNQ01, GS5SHAXNT01, GS5SHAXNB01, GS5SHAXNS01, GS5SHAXNL01
(White) (Biscuit) (Black) (Stainless Steel) (Stainless VCM)



FOR ORDERING INFORMATION REFER TO PARTS PRICE LIST

DISPENSER FRONT PARTS

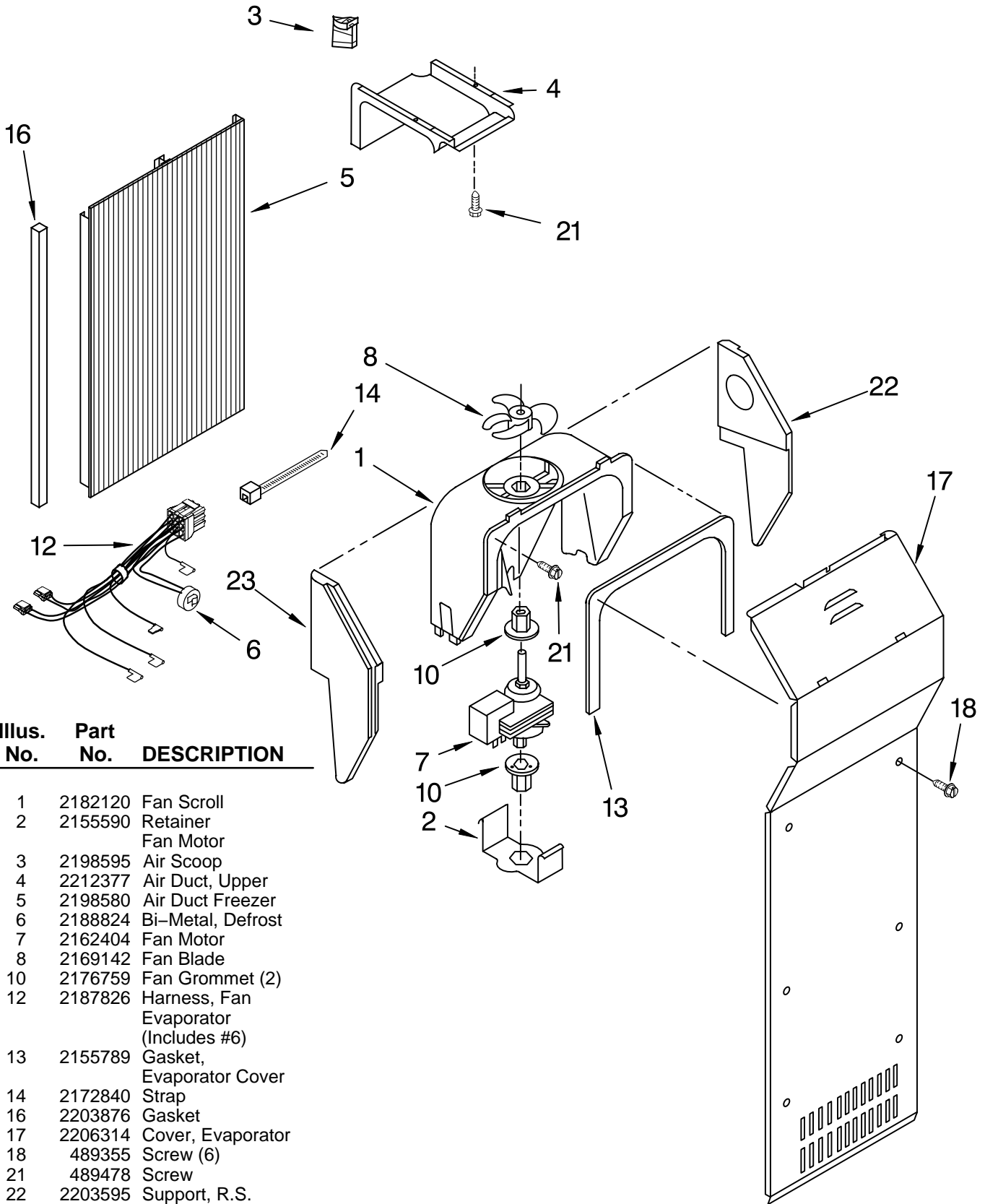
For Models: GS5SHAXNQ01, GS5SHAXNT01, GS5SHAXNB01, GS5SHAXNS01, GS5SHAXNL01
 (White) (Biscuit) (Black) (Stainless Steel) (Stainless VCM)

Illus. No.	Part No.	DESCRIPTION
1		Housing, Dispenser (Not Serviced)
2	3196537	Screw
3	2194719	Retainer, Levers
4	2256199	Spring, Torsion
5	2196195	Pin
6	2180353	Door, Ice
7	2304355	Door Mechanism Assembly
8	2205686	Mechanism Delay
9		Grille, Overflow
	2207007W	White
	2207007T	Biscuit
	2207007B	Black
10	2209718	Water Fitting Assembly (Includes Water Tube)
11		Lever, Ice Dispenser
	2255431W	White
	2255431T	Biscuit
	2255431B	Black
12	2180224	Guide, Ice
13	2188355	Bracket, Dispenser
15	2303942	Bracket, Control
17		Lever, Water Dispenser
	2255432W	White
	2255432T	Biscuit
	2255432B	Black
19		Overlay, Front Cover (Not Available Order #23)
20		LED Display with Auto Night Light (Not Available Order #23)
21		Front Cover, Housing (Not Available, Order #23)
22	489000	Screw
23		Front Cover Assembly (Includes Items 19, 20 & 21)
	2301327W	White
	2301327T	Biscuit
	2301327B	Black
25	2195051	Strain Relief
26	2252127	Sleeve, Mechanism Display

FOR ORDERING INFORMATION REFER TO PARTS PRICE LIST

AIR FLOW PARTS

For Models: GS5SHAXNQ01, GS5SHAXNT01, GS5SHAXNB01, GS5SHAXNS01, GS5SHAXNL01
 (White) (Biscuit) (Black) (Stainless Steel) (Stainless VCM)

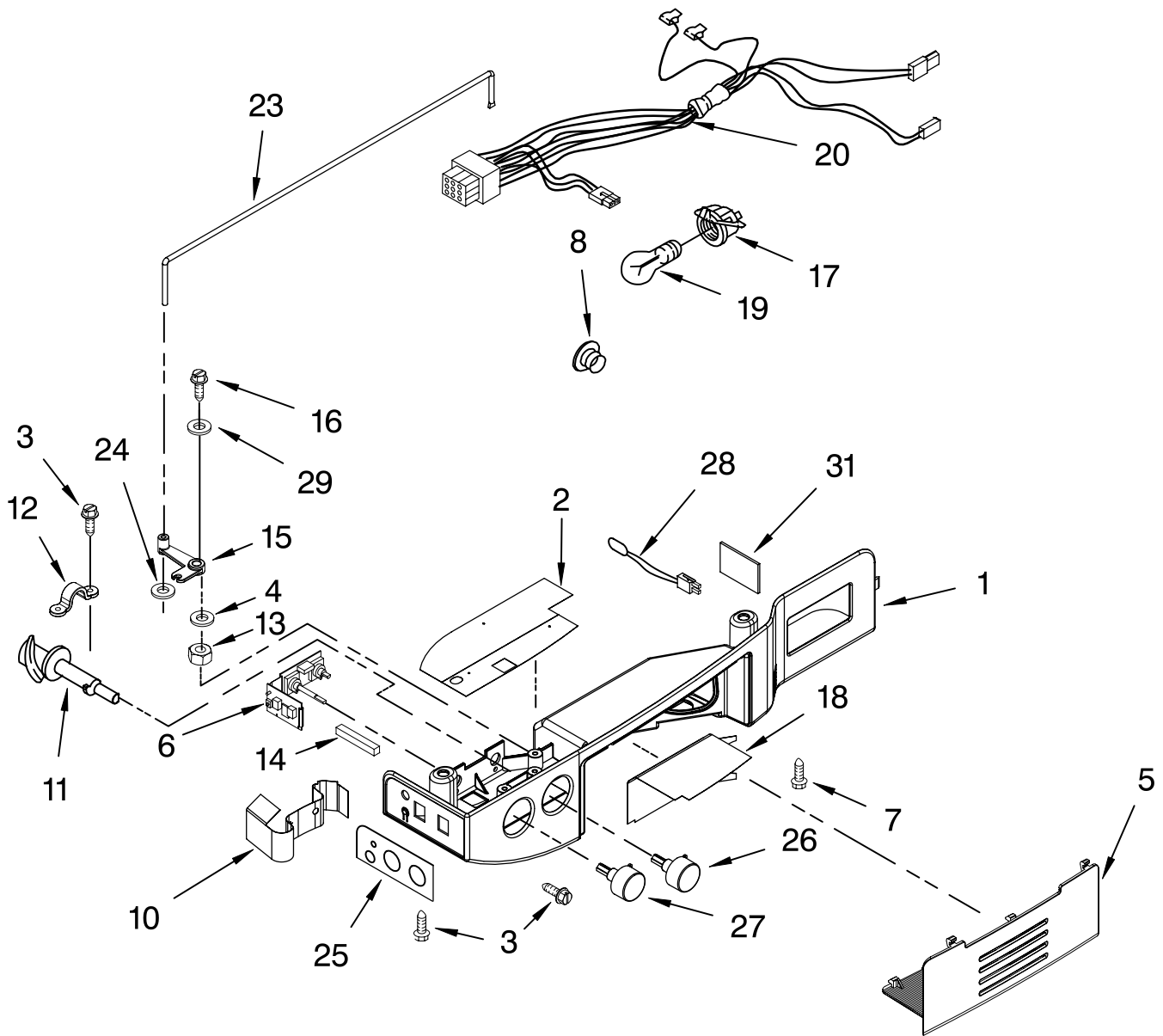


Illus. No.	Part No.	DESCRIPTION
1	2182120	Fan Scroll
2	2155590	Retainer Fan Motor
3	2198595	Air Scoop
4	2212377	Air Duct, Upper
5	2198580	Air Duct Freezer
6	2188824	Bi-Metal, Defrost
7	2162404	Fan Motor
8	2169142	Fan Blade
10	2176759	Fan Grommet (2)
12	2187826	Harness, Fan Evaporator (Includes #6)
13	2155789	Gasket, Evaporator Cover
14	2172840	Strap
16	2203876	Gasket
17	2206314	Cover, Evaporator
18	489355	Screw (6)
21	489478	Screw
22	2203595	Support, R.S.
23	2203596	Support, L.S.

FOR ORDERING INFORMATION REFER TO PARTS PRICE LIST

CONTROL PARTS

For Models: GS5SHAXNQ01, GS5SHAXNT01, GS5SHAXNB01, GS5SHAXNS01, GS5SHAXNL01
 (White) (Biscuit) (Black) (Stainless Steel) (Stainless VCM)



Illus. No.	Part No.	DESCRIPTION
1	2255222	Control Box
2	2261773	Shield
3	3196537	Screw (4)
4	3400972	Washer
5	2255225	Lens, Light
6	2303805	Electronic Control
7	489084	Screw (2)
8	940014	Hole Plug
10	2305538	Shield, Electrical (Internal)

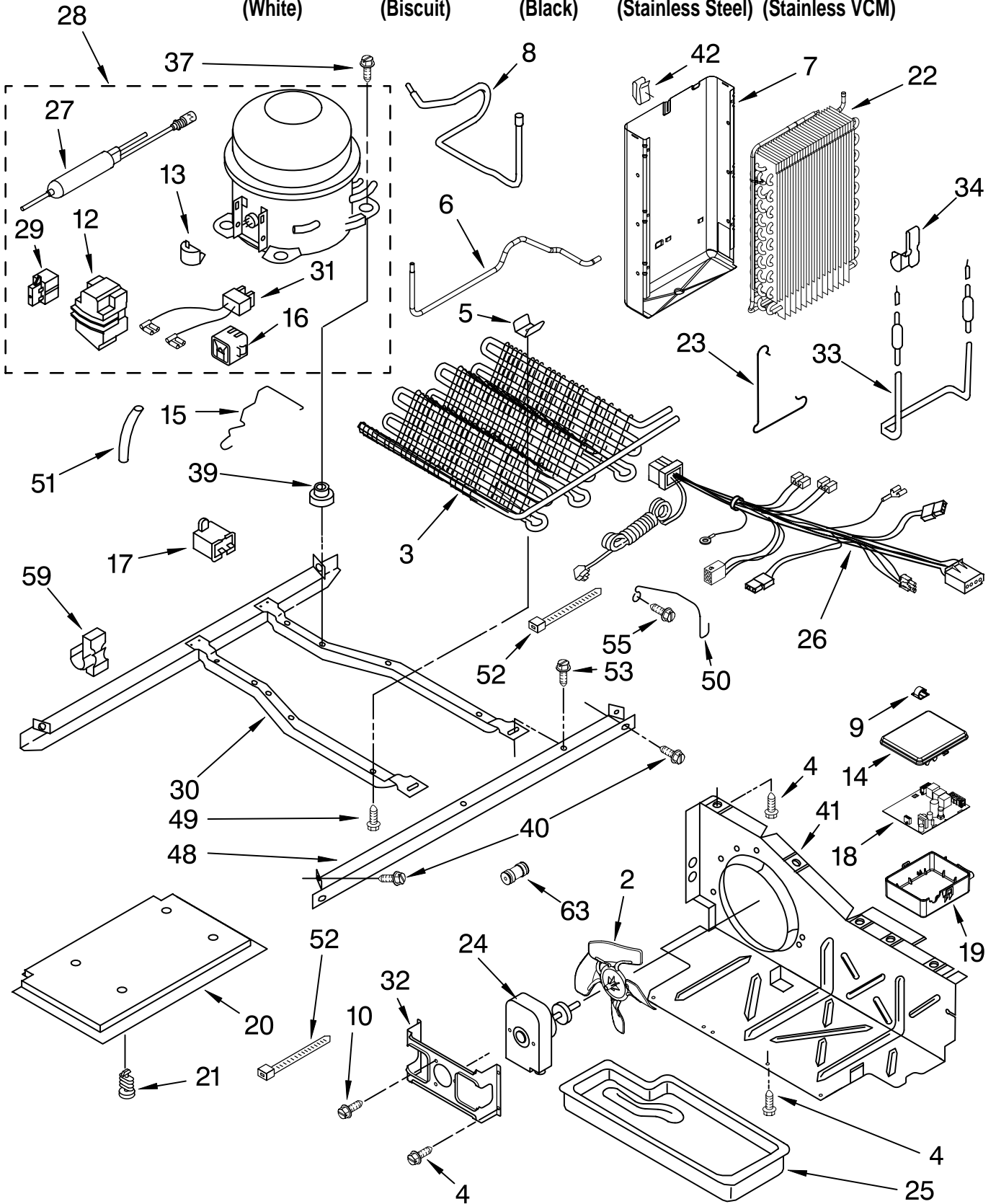
Illus. No.	Part No.	DESCRIPTION
11	2255226	Cam Assembly
12	2255413	Bearing Body
13	3400971	Nut, Hex
14	2188928	Foam, Shield
15	2255227	Pivot Arm
16	627068	Screw
17	2162085	Light Socket
18	2255666	Shield, Heat
19	2255743	Light Bulb

Illus. No.	Part No.	DESCRIPTION
20	2187965	Control Box Harness
23	2255228	Connecting Rod
24	489285	Fastner, Push-On
25	2255611	Escutcheon, Control Box
26	2255232	Knob, RC
27	2255992	Knob, FC
28	2188819	Thermistor
29	489203	Spring Washer
31	2261265	Air Seal, Thermistor

FOR ORDERING INFORMATION REFER TO PARTS PRICE LIST

UNIT PARTS

For Models: GS5SHAXNQ01, GS5SHAXNT01, GS5SHAXNB01, GS5SHAXNS01, GS5SHAXNL01
 (White) (Biscuit) (Black) (Stainless Steel) (Stainless VCM)



FOR ORDERING INFORMATION REFER TO PARTS PRICE LIST

UNIT PARTS

For Models: **GS5SHAXNQ01**, **GS5SHAXNT01**, **GS5SHAXNB01**, **GS5SHAXNS01**, **GS5SHAXNL01**
 (White) (Biscuit) (Black) (Stainless Steel) (Stainless VCM)

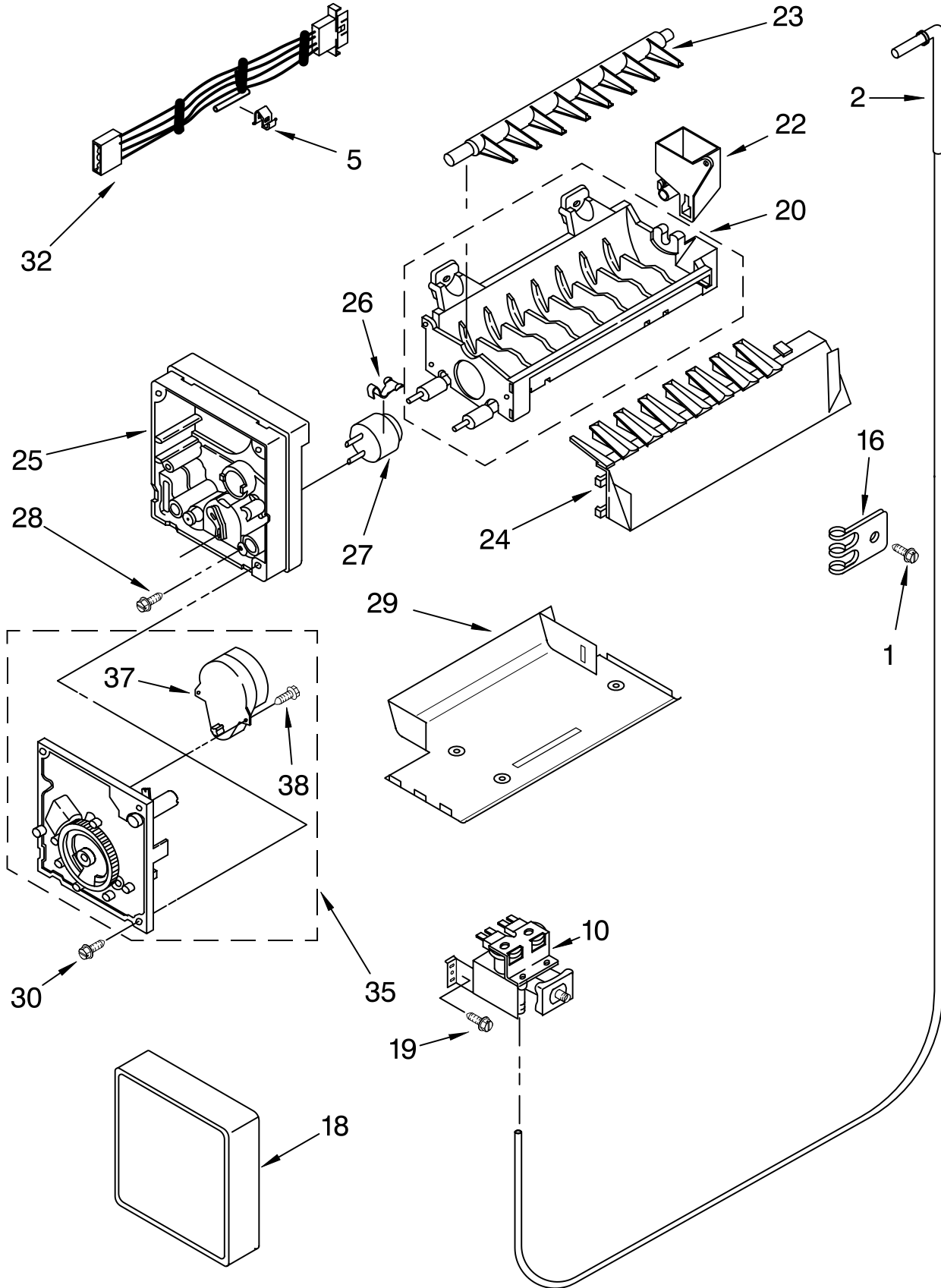
Illus. No.	Part No.	DESCRIPTION	Illus. No.	Part No.	DESCRIPTION	Illus. No.	Part No.	DESCRIPTION
2	2225834	Fan, Blade	26	2187947	Harness, Unit	Following Parts Not Illustrated and Optional Parts Not Included		
3	2223953	Condenser Assembly	27		Drier			
4	489464	Screw		2199167	Production			
5	2216914	Clip, Condenser		4387019	Service			
6	2261599	Tube, Condenser to Heat Loop	28	2255197	Compressor (Includes Items 12, 13, 17, 27, 29, 31 & 39) (Also Order 876765 Tube Kit)			
7	2304289	Heat Shield And Drain Pan						
8	2205765	Tube Suction						
9	1115374	Clip, Wiring						
10	8533993	Screw	29	2183454	Relay (Service Only)			
12	4387731	Cover (Service Only)	30	2157397	Unit Mounting Frame			
13	2154697	Overload (Service Only)	31	4387765	Wire, Capacitor (Service Only)	978025		Valve, Access (1/4")
14	2255624	Cover	32	2181929	Bracket, Fan Motor	978026		Valve, Access (5/16")
15	2255199	Clip, Retaining	33	2188175	Heater, Defrost	978027		Valve, Access (3/8")
16	2255198	Start-Device, Combination (Start Relay and Overload) for Production Compressor Only	34	2304287	Clip, Heater	978028		Valve, Access (1/2")
			37	489373	Screw	978029		Valve, Access (5/8")
			39		Grommet (4)	978030		Valve, Access (3/4")
17		Capacitor		1100826	Production	876764		Valve, Access (3/16")
	999532	Production		4387558	Service	REFRIGERANT CHARGE 5.0 oz. (R-134A)		
	1118576	Service	40	489340	Screw			
18	2304056	Elec. Control	41	2196202	Air Baffle			
19	2255623	Control Box	42	2155547	Clip, Heat			
20	2206281	Unit Cover, Bottom	48	1127911	Unit Mounting Rail			
21	489396	Clip	49	8281232	Screw			
22	2188823	Evaporator	50	2186495	Guard, Fan			
23	2161324	Clip	51	2161302	Sleeve			
24	2188727	Motor, Fan	52	2172840	Wire Tie			
25	1105523	Tray, Evaporator	53	489427	Screw			
			55	489478	Screw			
			59	2261316	Clip, Wire & Tube			
			63	2209709	Union			



FOR ORDERING INFORMATION REFER TO PARTS PRICE LIST

ICEMAKER PARTS

For Models: GS5SHAXNQ01, GS5SHAXNT01, GS5SHAXNB01, GS5SHAXNS01, GS5SHAXNL01
(White) (Biscuit) (Black) (Stainless Steel) (Stainless VCM)



FOR ORDERING INFORMATION REFER TO PARTS PRICE LIST

ICEMAKER PARTS

For Models: GS5SHAXNQ01, GS5SHAXNT01, GS5SHAXNB01, GS5SHAXNS01, GS5SHAXNL01
 (White) (Biscuit) (Black) (Stainless Steel) (Stainless VCM)

Illus. No.	Part No.	DESCRIPTION
1	489084	Screw
2	2256096	Fitting, Water Tube
5	628379	Clip, Fuse
10	2188746	Filter Valve Asm
16	2208136	Clip, Tube
18	2174358	Cover
19	488649	Screw
20	628228	Mold & Heater Assembly (Also Order 542638 Silicone Grease)
22	628356	Bearing & Inlet
23	627843	Ejector
24	2198598	Ice Stripper
25	2194712	Support
26	627796	Retainer, Thermostat
27	627985	Thermostat (Also Order 542369 Cement Alumilastic)
28	8533917	Screw
29	2212322	Bracket, Ice Maker Mounting
30	489276	Screw
32	2187467	Harness, Wiring
35	626653	Module Assembly (Includes Items 37 & 38)
37	627811	Motor
38	489136	Screw
100	2198597	Icemaker Assembly

OPTIONAL PARTS

For Models: GS5SHAXNQ01, GS5SHAXNT01, GS5SHAXNB01, GS5SHAXNS01, GS5SHAXNL01
(White) (Biscuit) (Black) (Stainless Steel) (Stainless VCM)

Illus. No.	Part No.	DESCRIPTION
------------	----------	-------------

Parts Not Illustrated and
Optional Parts (Not Included)

Customer Touch-Up Material

- *350942 Primer, White
(12 Oz. Spray Can)
- *350939 Enamel, Black
(12 Oz. Spray Can)
- *350930 Enamel, White
(12 Oz. Spray Can)
- *4392901 Enamel, Biscuit
(12 Oz. Spray Can)
- *8171357 Enamel, Graphite
(12 oz. Spray Can)
- 72017 Brush Touch-Up Kit
(White)
- 4392899 Brush Touch-Up Kit
(Biscuit)
- 72032 Brush Touch-up Kit
(Black)
- 80051 Brush Touch-up Kit
(Graphite)

***Important:** The spray paint is not to be used where the paint may make contact with the door gaskets.

Illus. No.	Part No.	DESCRIPTION
------------	----------	-------------

Miscellaneous

- 8129 Coil Brush
- 212643 Sealer, Gum
(4 Feet)
- 479502 Tape, Vinyl
(3/4 x 108")
- 876370 Kit, Insulation
(2 Pcs. x 3" x 24" X 48")
- 876305 Kit, Insulation
(14 Pcs. x 3" x 24" x 48")
- 978941 Insulation,
Fiberglass
(63-1/2" x 35-1/2" X 2-5/8)
- 876029 Kit, Foam Slab
(30" x 32-1/2" x 1-1/2")
- 505587 Sealer, Mastic
(1 Qt.)
- 503695 Cork, Sealer
(1/4 Pound)
- 511873 Touch-Up, White
Porcelain (2 Oz.)
- 542638 Grease, Silicone
(1/2 Oz.)
- 542639 Cement,
Alumilastic
(1-1/4 Oz.)
- 606755 Bag, Insulation
(36-5/8" x 46")
- 799833 Kit, Evaporator
Repair
(Aluminum Epoxy)
- 833938 Kit, Terminal
Connector
- 2217192 Cleaner, Stainless
Steel
- 2255573 Ice Container-
Crusher Assembly

Illus. No.	Part No.	DESCRIPTION
------------	----------	-------------

Refinishing Material

- 799340 Enamel, Black
(1 Qt. Uncut)
- 799344 Enamel, White
(1 Qt. Uncut)
- 4392900 Enamel,
Biscuit
(1 Qt. Uncut)
- 8171358 Enamel, Graphite

TORX SCREW WRENCH

- 1117510 Torx Key

FOR ORDERING INFORMATION REFER TO PARTS PRICE LIST