

# ALL-IN-ONE WASHER & DRYER OWNER'S MANUAL

## MANUAL DEL PROPIETARIO DE LA LAVADORA/ SECADORA ALL-IN-ONE

---

### Table of Contents/Índice

|   |    |   |    |
|---|----|---|----|
| <b>TECHNICAL SPECIFICATIONS</b> .....                           | 2  | <b>ESPECIFICACIONES TÉCNICAS</b> .....                                  | 16 |
| <b>ALL-IN-ONE WASHER &amp; DRYER SAFETY</b> .....               | 3  | <b>SEGURIDAD DE LA LAVADORA/SECADORA ALL-IN-ONE</b> .....               | 16 |
| All-In-One Washer & Dryer Safety .....                          | 3  | Seguridad de la lavadora/secadora All-In-One .....                      | 16 |
| <b>ADDING LAUNDRY PRODUCTS</b> .....                            | 4  | <b>AGREGAR PRODUCTOS DE LAVANDERÍA</b> .....                            | 18 |
| <b>ALL-IN-ONE WASHER &amp; DRYER MAINTENANCE AND CARE</b> ..... | 5  | <b>MANTENIMIENTO Y CUIDADO DE LA LAVADORA/SECADORA ALL-IN-ONE</b> ..... | 19 |
| <b>INSTALLATION INSTRUCTIONS</b> .....                          | 9  | <b>INSTRUCCIONES DE INSTALACIÓN</b> .....                               | 23 |
| <b>REQUIREMENTS</b> .....                                       | 9  | <b>REQUISITOS</b> .....   | 24 |
| Tools and Parts .....   | 9  | Herramientas y piezas .....   | 24 |
| Location Requirements .....                                     | 10 | Requisitos de ubicación .....   | 25 |
| Drain System .....  | 11 | Sistema de desagüe .....  | 26 |
| Electrical Requirements .....                                   | 12 | Requisitos eléctricos .....   | 27 |
| <b>INSTALLATION</b> .....                                       | 12 | <b>INSTALACIÓN</b> .....  | 27 |
| Connect Drain Hose .....  | 12 | Conecte la manguera de desagüe .....                                    | 27 |
| Connect Inlet Hose .....  | 13 | Conexión de la manguera de entrada .....                                | 28 |
| Level All-In-One Washer & Dryer .....                           | 14 | Nivele la lavadora y secadora All-In-One .....                          | 29 |
| Complete Installation Checklist .....                           | 15 | Lista de control de la instalación terminada .....                      | 30 |

# TECHNICAL SPECIFICATIONS

|   |                   |                |
|---|-------------------|----------------|
| Models                                    |                   |                |
| 7MWFC6820LW                               |                   |                |
| 7MWFC6820LC                               |                   |                |
| Operating Frequency                       | <b>60 Hz</b>      |                |
| Power Supply Voltage                      | <b>110-127 V~</b> |                |
| Maximum Capacity (wet clothes)            | Capacity          | Power use      |
| 7MWFC6820L*                               | <b>20/12 kg</b>   | <b>11-12 A</b> |
| Height                                    | <b>98 cm</b>      |                |
| Width                                     | <b>69 cm</b>      |                |
| Depth                                     | <b>84 cm</b>      |                |
| Maximum Permissible supply water pressure | <b>485 kPa</b>    |                |
| Minimum Permissible supply water pressure | <b>35 kPa</b>     |                |

## Importer

WHIRLPOOL MÉXICO, S.de R.L. de C.V.  
Antigua Carretera A Roma KM 9 SN  
Col.EL Milagro; Apodaca  
Nuevo León, México C.P. 66634

Tel **(+52) 81-83-29-21-00**

## Exporter

WHIRLPOOL CORPORATION  
Benton Harbor, Michigan  
USA

## Message for the user

Thank you for purchasing a WHIRLPOOL household appliance. We have designed this Owner's Manual. It contains important information about how to operate and take care of your washer-dryer in a proper and safe manner. Please, read it carefully.

# ALL-IN-ONE WASHER & DRYER SAFETY

## Your safety and the safety of others are very important.

We have provided many important safety messages in this manual and on your appliance. Always read and obey all safety messages.



This is the safety alert symbol.

This symbol alerts you to potential hazards that can kill or hurt you and others.

All safety messages will follow the safety alert symbol and either the word "DANGER" or "WARNING." These words mean:

**▲ DANGER**

**You can be killed or seriously injured if you don't immediately follow instructions.**

**▲ WARNING**

**You can be killed or seriously injured if you don't follow instructions.**

All safety messages will tell you what the potential hazard is, tell you how to reduce the chance of injury, and tell you what can happen if the instructions are not followed.

## IMPORTANT SAFETY INSTRUCTIONS

**WARNING:** To reduce the risk of fire, electric shock, or injury to persons when using your appliance, follow basic precautions, including the following:

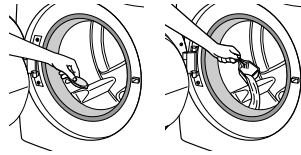
- Read all instructions before using the appliance.
- Do not wash or dry articles that have been previously cleaned in, washed in, soaked in, or spotted with gasoline, dry-cleaning solvents, or other flammable or explosive substances, as they give off vapors that could ignite or explode.
- Do not add gasoline, dry-cleaning solvents, or other flammable or explosive substances to the wash water. These substances give off vapors that could ignite or explode.
- Under certain conditions, hydrogen gas may be produced in a hot-water system that has not been used for 2 weeks or more. **HYDROGEN GAS IS EXPLOSIVE.** If the hot-water system has not been used for such a period, before using a washing machine, turn on all hot-water faucets and let the water flow from each for several minutes. This will release any accumulated hydrogen gas. As the gas is flammable, do not smoke or use an open flame during this time.
- Do not allow children to play on or in the appliance. Close supervision of children is necessary when the appliance is used near children.
- Before the appliance is removed from service or discarded, remove the door.
- Do not reach into the appliance if the tub is moving.
- Do not install or store this appliance where it will be exposed to the weather.
- Do not tamper with controls.
- Do not repair or replace any part of the appliance or attempt any servicing unless specifically recommended in the user-maintenance instructions or in published user-repair instructions that you understand and have the skills to carry out.
- Do not use replacement parts that have not been recommended by the manufacturer (e.g. parts made at home using a 3D printer).
- See the Installation Instructions for grounding requirements and installation.
- This appliance is not designed to be used by people (including children) with physical, sensory, or mental abilities reduced, or with lack of experience and knowledge, unless it has been given instruction or supervision regarding the use of the appliance.
- Do not place items exposed to cooking oils in your dryer. Items contaminated with cooking oils may contribute to a chemical reaction that could cause a load to catch fire. To reduce the risk of fire due to contaminated loads, the final part of a tumble dryer cycle occurs without heat (cool down period). Avoid stopping a tumble dryer before the end of the drying cycle unless all items are quickly removed and spread out so that the heat is dissipated.
- If the power cord is damaged, it must be replaced by the manufacturer or its service agent or by qualified personnel to avoid danger.
- New hoses must be used supplied with the appliance, old hoses they must not be reused to avoid danger.
- Do not clean your washing machine with flammable substances or liquids.
- **WARNING:** Never stop the Washer-Dryer before the end of the drying cycle, unless all items are removed quickly and spread so that the heat dissipates.
- Do not use the drying cycle on clothes without a pre-wash.
- Remove all items from pockets such as matches and lighters.
- Do not use fabric softeners or products to eliminate static from clothes unless recommended by the manufacturer of the fabric softener or the instructions for the product in use.
- Do not use heat to dry items that contain foam rubber or similarly textured rubber materials.

**SAVE THESE INSTRUCTIONS**

# ADDING LAUNDRY PRODUCTS

## Adding HE detergent to basket:

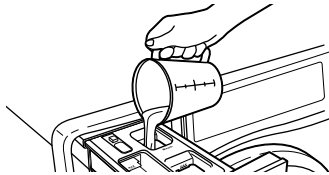
Single-dose laundry packets, Oxi-type boosters, color-safe bleach, or scented crystals can be added to the drum prior to adding laundry. When using single-dose laundry packets, make sure that the Load & Go™ Bulk Dispenser option is disabled (on some models).



**NOTE:** Follow the manufacturer's instructions to determine the amount of laundry products to use.

## Adding liquid chlorine bleach to single-load dispenser:

Add liquid chlorine bleach to the bleach compartment. Do not overfill, dilute, or use more than 2/3 cup (165 mL). Do not use color-safe bleach or Oxi in the same cycle with liquid chlorine bleach.

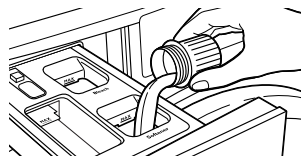


### IMPORTANT:

- Always measure liquid chlorine bleach. Use a measuring cup with a pour spout; do not guess.
- Do not fill beyond the "MAX" line. Overfilling could cause garment damage.
- Do not use thickened, easy-pour, or no-splash bleach when running the Clean Washer with affresh® cycle, as excess suds may occur.
- On some models: Do not add liquid chlorine bleach to the bulk dispenser.
- Slowly close dispenser drawers. Make sure the drawers are closed completely.

## Adding liquid fabric softener to single-load dispenser:

Pour a measured amount of liquid fabric softener into liquid fabric softener compartment. Always follow manufacturer's directions for correct amount of fabric softener, based on your load size. Disable the 1-Liter Load & Go™ dispenser if not used to dispense detergent. Fabric softener is always dispensed in the last rinse.



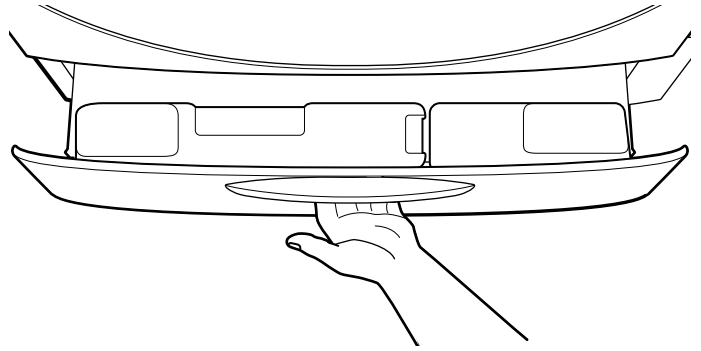
**IMPORTANT:** Do not overfill, dilute, or use more than the manufacturer-recommended quantity of fabric softener. Do not fill past the "MAX" line. Overfilling dispenser will cause fabric softener to immediately dispense into machine.

- Do not spill or drip any fabric softener onto the clothes.
- Do not use liquid fabric softener dispenser balls in this machine. They will not dispense correctly.
- Do not use fabric softener sheets, as they can stain the load.

## Adding HE detergent to Load & Go™ dispenser (on some models):

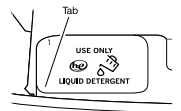
Use only High Efficiency (HE) liquid detergents. The bulk dispensers will hold about 67.6 oz. (2 L) or 33.8 oz. (1 L) of liquid HE detergent, depending on dispenser, or enough for many loads of laundry.

## To fill bulk dispensers:

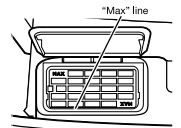


Open the dispenser drawer by pulling on the handle at the base of the machine. If desired, the drawer can be completely removed from the machine.

Locate the Load & Go™ bulk dispenser. Gently pull up on the tab located on the bulk dispenser lid to lift the fill door.



Fill to the "MAX" line (see illustrations at right) with HE liquid detergent or liquid fabric softener (1-liter dispenser only). Close fill door. It will click into place. Make sure the concentration setting is correct (see the online "Cycle Guide").



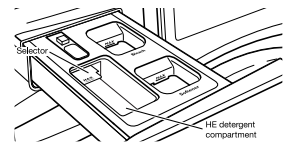
It is recommended that you rinse out the Load & Go™ containers when refilling, when changing detergent types or concentrations, or when the will not be used for an extended period. For instructions on cleaning the dispenser cartridge, see "All-In-One Washer & Dryer Care" in the "Maintenance and Care" section of your Owner's Manual.



When you want the machine to use the Load & Go bulk dispenser for automatic detergent dispensing, make sure that the Load & Go™ bulk dispenser option is enabled (on some models). Also, do not add any detergent to the single-load dispenser.

## Adding HE detergent to single-load dispenser:

Pour a measured amount of HE detergent into detergent compartment. For powdered detergent, lift the selector to the high position. For liquid detergent, push down the selector to the low position. Do not overfill; adding too much detergent may cause detergent to be dispensed into the machine too early.



When using single-dose dispenser for detergent, make sure that the Load & Go™ bulk dispenser option is disabled (on some models).

## Getting the most out of your All-In-One Washer & Dryer:

Your new machine is configured to run wash & dry cycles by default. You also have the option to run Wash Only cycles or Dry Only cycles. Refer to the Cycle Guide for additional details.

For optimal drying results and to avoid wrinkling of clothes, do not load clothes more than half full. Since this unit uses a ventless drying technology, expect longer dry times compared to a vented dryer.

# ALL-IN-ONE WASHER & DRYER MAINTENANCE AND CARE

## Water Inlet Hoses

Replace inlet hoses after five years of use to reduce the risk of hose failure. Periodically inspect and replace inlet hoses if bulges, kinks, cuts, wear, or leaks are found.

When replacing your inlet hoses:

Mark the date of replacement on the label with a permanent marker.

Check that the old rubber seals on water inlet hoses are not stuck on the machine inlet valves.

Use new washers in the new inlet hoses to ensure a proper seal.

## All-In-One Washer & Dryer Care

### Recommendations to Help Keep Your Machine Clean and Performing at Its Best

1. Always use High Efficiency (HE) detergents and follow the HE detergent manufacturer's instructions regarding the amount of HE detergent to use. Never use more than the recommended amount because that may increase the rate at which detergent and soil residue accumulate inside your machine which, in turn, may result in undesirable odor.
2. Use warm or hot water washes sometimes (not exclusively cold water washes) because they do a better job of controlling the rate at which soils and detergent accumulate.
3. Always leave the machine door slightly ajar between uses to help dry out the machine and avoid the buildup of odor-causing residue.
4. Periodically clean residue from all interior surfaces of the window. For better care, wipe the entire inside of the door with a damp cloth.

### Cleaning Your All-In-One Washer & Dryer

Read these instructions completely before beginning the routine cleaning processes recommended below. This machine maintenance procedure should be performed, at a minimum, once per month or every 30 cycles, whichever occurs sooner, to control the rate at which soils and detergent may otherwise accumulate in your machine. Note that since this is an all-in-one washer & dryer without a lint screen, you may see some more lint accumulation on the door seal than a typical washer.

#### Cleaning the Door Seal

1. Open the machine door and remove any clothing or items from the machine.
2. Inspect the gray-colored seal between the door opening and the drum for stained areas, soil buildup, or lint. Pull back the seal to inspect all areas under the seal and to check for foreign objects or lint.
3. If stained areas, soil buildup, or lint are found, wipe down these areas of the seal using either of the following two procedures:
  - a. **Affresh® Machine Cleaning Wipes Procedure:**
    - i. When the cycle is complete, gently pull back the rubber door seal and clean the entire surface with the textured side of an affresh® Machine Cleaning Wipe.
  - b. **Dilute Liquid Chlorine Bleach Procedure:**
    - i. Mix a dilute bleach solution, using 3/4 cup (177 mL) of liquid chlorine bleach and 1 gallon (3.8 L) of warm tap water.
    - ii. Wipe the seal area with the dilute solution, using a damp cloth.

iii. Let stand 5 minutes.

iv. Wipe down area thoroughly with a dry cloth and let machine interior air dry with door open.

### IMPORTANT:

- Wear rubber gloves when cleaning with bleach.
- Refer to the bleach manufacturer's instructions for proper use.

### Cleaning the Inside of the All-In-One Washer & Dryer

This machine has a special cycle that uses higher water volumes in combination with affresh® Washer Cleaner or regular liquid chlorine bleach to thoroughly clean the inside of the machine. Steam models also utilize steam to enhance cleaning in this special cycle.

**IMPORTANT:** Do not use thickened, easy-pour, or no-splash bleach when running the Clean Washer with affresh® cycle as excess suds may occur.

**NOTE:** Read these instructions completely before beginning the cleaning process.

#### Begin procedure

##### 1. Clean Washer with affresh® Cycle Procedure (Recommended for best performance):

- a. Open the machine door and remove any clothing or items.
- b. Use an affresh® Machine Cleaning Wipe or a soft, damp cloth or sponge to clean the inside door window.
- c. Add an affresh® Washer Cleaner tablet to the machine drum.
- d. Do not add the affresh® Washer Cleaner tablet to the dispenser drawer.
- e. Do not add any detergent or other chemical to the machine when following this procedure.
- f. Close the machine door.
- g. Select the Clean Washer with affresh® cycle.
- h. **On some models:** Select the FanFresh® option to help dry the machine interior after the cycle is complete.

**NOTE:** The machine remembers your last option selection and will use it for future wash cycles until you deselect that option.

- i. Touch and hold START/PAUSE to begin the cycle. The Clean Washer with affresh® cycle operation is described below.

##### 2. Chlorine Bleach Procedure:

- a. Open the machine door and remove any clothing or items.
- b. Open the single load dispenser drawer and add regular liquid chlorine bleach to the "MAX" line in both the bleach compartment and the fabric softener compartment. Either traditional or HE chlorine bleach can be used.

**IMPORTANT:** Do not use thickened, easy-pour, or no-splash bleach as excess suds may occur.

**NOTE:** Use of more liquid chlorine bleach than is recommended above could cause machine damage over time.

- c. Close the machine door and the dispenser drawer.
- d. Do not add any detergent or other chemicals to the machine when following this procedure.
- e. Select the Clean Washer with affresh® cycle.
- f. **On some models:** Select the FanFresh® option to help dry the machine interior after the cycle is complete.

**NOTE:** The machine remembers your last option selection and will use it for future wash cycles until you deselect that option.

- g. Touch and hold START/PAUSE to begin the cycle. The Clean Washer with affresh® cycle operation is described below.

**NOTE:** For best results, do not interrupt cycle.

#### Description of Clean Washer with affresh® Cycle Operation:

1. The Clean Washer with affresh® cycle will determine whether clothing or other items are in the machine.
2. If no items are detected in the machine, it will proceed with the cycle.
  - a. If any items are detected in the machine, “rL” (remove load) will be displayed. The door will unlock. Open machine and remove any garments from the machine drum.
  - b. Touch POWER to clear the “rL” code.
  - c. Touch and hold START/PAUSE to restart the cycle.
3. **Steam models only:** During the first 20 minutes of the cycle, it will activate the steamer but the drum will not spin or fill with water. You may see condensation on the door window during this initial phase. If you are using an affresh® Washer Cleaner tablet, it will not dissolve completely during the steam phase. This is normal.

After the cycle is complete, leave the door open slightly to allow for better ventilation and drying of the machine interior.

#### Cleaning the Dispensers

After using the Clean Washer with affresh® cycle, you may find some residue buildup in the machine’s dispensers.

To remove residue from the single load dispenser, remove the drawer and wipe the surfaces with an affresh® Machine Cleaning Wipe or a damp cloth and towel dry either before or after you run the Clean Washer with affresh® cycle. Use an all-purpose surface cleaner, if needed.

On some models: To remove residue from the Load & Go™ bulk dispenser, lift the handle on the dispenser housing and pull to remove it from the machine cabinet; then rinse the dispenser thoroughly with running water. Wipe the outside dispenser surface with an affresh® Machine Cleaning Wipe or a damp cloth, and towel dry. Use an all-purpose surface cleaner, if needed.

Replace the dispenser in the machine cabinet and make sure that it is correctly seated.

**NOTE:** Dispensers are not dishwasher-safe.

#### Cleaning the Outside of the All-In-One Washer & Dryer

Use an affresh® Machine Cleaning Wipe or a soft, damp cloth or sponge to wipe up any spills. Occasionally wipe the outside of your machine to help keep it looking new. Use an affresh® Machine Cleaning Wipe or mild soap and water.

**IMPORTANT:** To avoid damaging the machine’s finish, do not use abrasive products.

#### Clean Washer Cycle Reminder

**NOTE:** Not all models have the Clean Washer with affresh® cycle reminder light.

The Clean Washer with affresh® LED will flash at the end of a wash cycle when the machine has run 30 wash cycles. This is a reminder to run the Clean Washer with affresh® cycle.

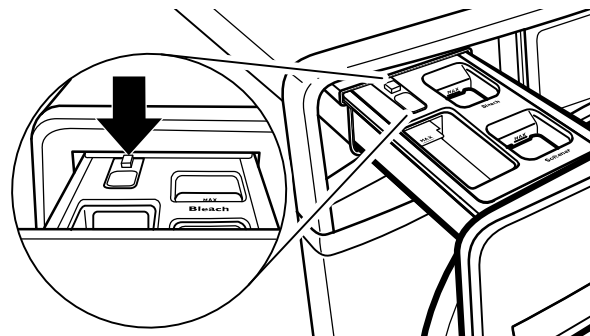
If the Clean Washer with affresh® cycle is not performed, the LED will stop flashing at the end of a wash cycle after running three more regular wash cycles. After 30 more wash cycles are completed, the Clean Washer with affresh® LED will again flash at the end of a wash cycle as a reminder.

## REMOVING THE DISPENSER

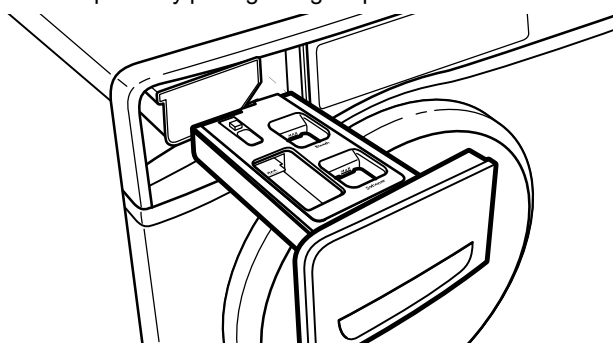
### Single Load Dispenser Drawer

#### To remove:

1. Pull dispenser drawer out until it stops.
2. Press down on the release tab and pull straight out to remove the dispenser.

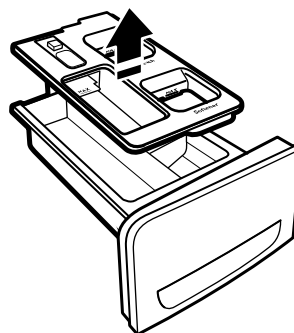


3. Lift off cover panel by pulling straight up.



#### To replace:

1. Position cover panel back onto posts on dispenser. Apply slight pressure on cover panel to seat it.
2. Align edges of dispenser with guides in machine; then slide dispenser back into slot.

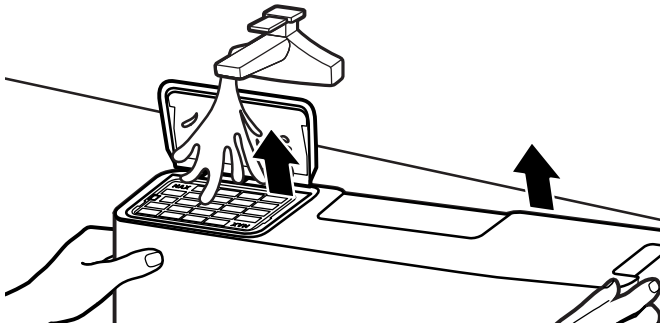


### Cleaning Load & Go™ Containers (on some models)

It is recommended that you rinse out the Load & Go™ containers when refilling, when changing detergent types or concentrations, or when the machine will not be used for an extended period.

1. Pull the dispenser drawer out until it stops.
2. Lift out the Load & Go™ containers.

3. Lift the fill lid and flush interior thoroughly with warm water.



4. Allow to air dry.

### Non-Use and Vacation Care

Operate your machine only when you are home. If moving or not using your machine for a period of time, follow these steps:

1. Unplug or disconnect power to machine.
2. Turn off water supply to machine to avoid flooding due to water pressure surges.

**HELPFUL TIP:** Attach a reminder note to the machine to turn the water back on before machine's next use.

3. Clean the dispensers. See "Cleaning the Dispensers."

### Winter Storage Care

**IMPORTANT:** To avoid damage, install and store machine where it will not freeze. Because some water may stay in hoses, freezing can damage machine. If storing or moving during freezing weather, winterize your machine.

#### To winterize machine:

1. Shut off both water faucets; then disconnect and drain water inlet hoses.  
**HELPFUL TIP:** Attach a reminder note to the machine to turn the water back on before machine's next use.
2. Put 1 quart (1 L) of R.V.-type antifreeze in machine drum and run machine on Normal cycle for about 2 minutes to mix antifreeze and remaining water.
3. Unplug machine or disconnect power.

### Transporting your All-In-One Washer & Dryer

1. Shut off both water faucets. Disconnect and drain water inlet hoses.
2. If machine will be moved during freezing weather, follow "Winter Storage Care" directions before moving.
3. Disconnect drain hose from drain system and from back of machine.
4. Unplug power cord.
5. Place inlet hoses and drain hose inside machine drum.
6. Bundle power cord with a rubber band or cable tie to keep it from hanging to the ground.

**IMPORTANT:** Call for service to install new transport bolts. Do not reuse transport bolts. Machine must be transported in the upright position. To avoid structural damage to your machine, it must be properly set up for relocation by a certified technician.

## ⚠ WARNING



### Electrical Shock Hazard

**Plug into a grounded 3 prong outlet.**

**Do not remove ground prong.**

**Do not use an adapter.**

**Do not use an extension cord.**

**Failure to follow these instructions can result in death, fire, or electrical shock.**

### Reinstalling/Using Again

To reinstall machine after non-use, vacation, winter storage, or moving:

1. Refer to Installation Instructions to remove transport bolts, locate, level, and connect machine.
2. Before using again, run machine through the following recommended procedure:

#### To use machine again:

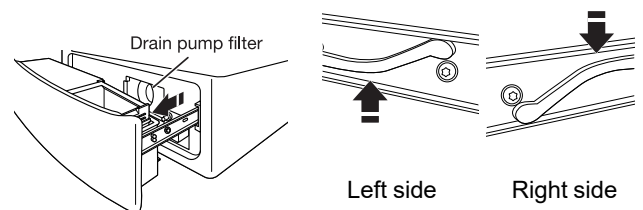
1. Flush water pipes and hoses. Reconnect water inlet hoses. Turn on both water faucets.
2. Plug in machine or reconnect power.
3. Run machine through Heavy Duty cycle to clean machine and remove antifreeze, if used. Use only HE detergent. Use half the manufacturer's recommended amount for a medium-size load.

### Cleaning the Drain Pump Filter/Draining Residual Water (on some models)

**NOTE:** Perform the following procedure occasionally.

**IMPORTANT:** Make sure the machine is off before cleaning the drain pump filter.

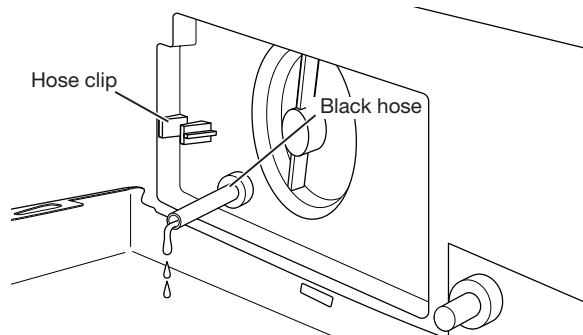
1. Open the dispenser drawer by pulling on the handle at the base of the machine. This will reveal the drain pump filter. Remove the drawer by releasing the tab on each side.



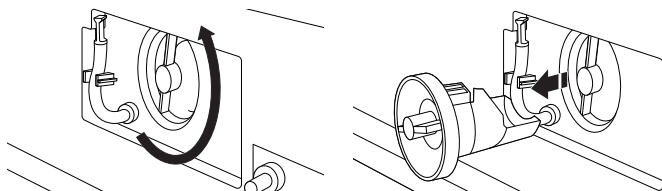
With your finger, push down on tab on right side of drawer, and up on tab on left side of drawer.

- Place a broad, flat container beneath the drain pump filter to collect the drain water. Release the black hose from the hose clip, remove the plug, and drain the hose into the container. Empty the container. Repeat this procedure if necessary until all the water has drained. Make sure that the black hose is completely dry, replace the plug, and secure the hose in the clip.

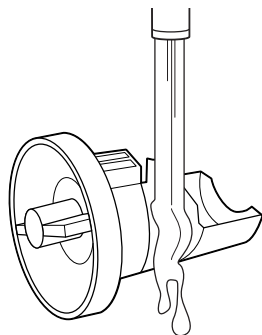
**NOTE:** If water does not drain well, push in hose slightly to remove any possible kinks.



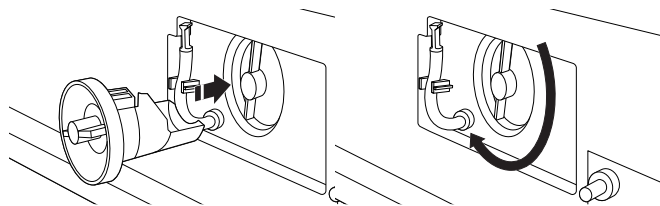
- Lay a cotton cloth beneath the drain pump filter to absorb any water still in it. Then remove the drain pump filter by turning it counterclockwise.



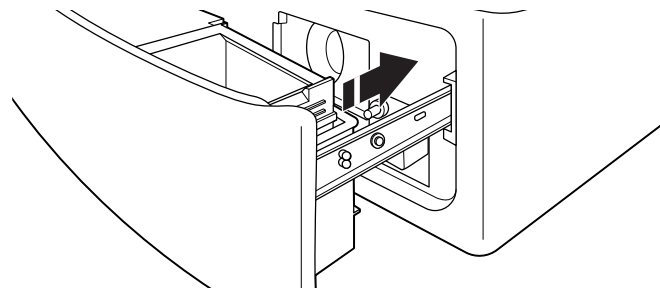
- Check the drain pump filter once a month. Remove large clumps of lint by hand from the filter and place lint in a suitable waste container. Remove remaining residue from the filter by rinsing with water.



- Reinsert the drain pump filter by turning it clockwise. Make sure to turn it in as far as it will go, with the filter handle remaining as close as possible to the vertical position.

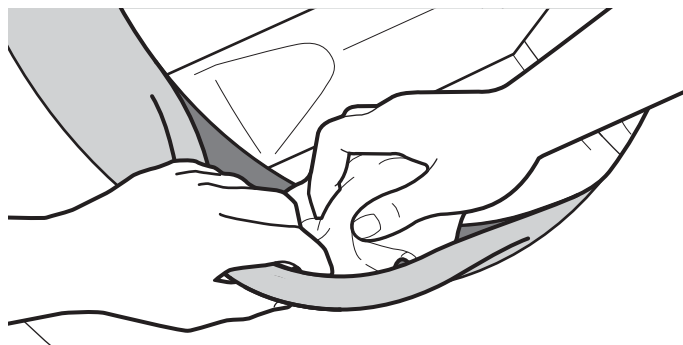


- Replace and close the dispenser drawer. Make sure to insert both rails simultaneously when replacing the drawer. You will hear a clicking sound that indicates the rails have engaged. To ensure proper placement of the drawer, pull out fully. The drawer should be fully engaged and the rails locked in place. Make sure the drain hose is secured in the hose clip and tucked underneath the cutout.



### Additional Cleaning

Gently pull back the rubber door seal and clean any stained areas, soil buildup, or lint with the textured side of an affresh® Machine Cleaning Wipe.





# INSTALLATION INSTRUCTIONS

## ⚠ WARNING

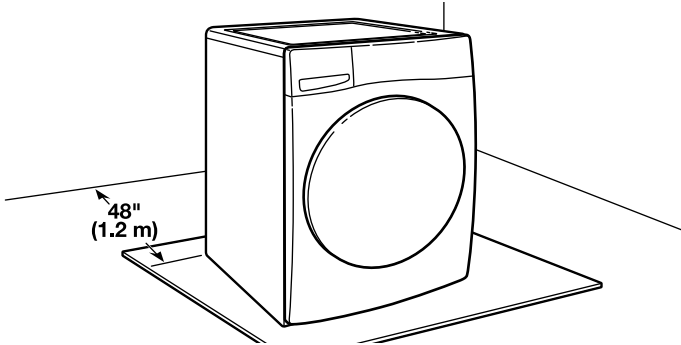
### Excessive Weight Hazard

Use two or more people to move and install or uninstall appliance.

Failure to do so can result in back or other injury.

**NOTE:** To avoid floor damage, set machine onto cardboard before moving it.

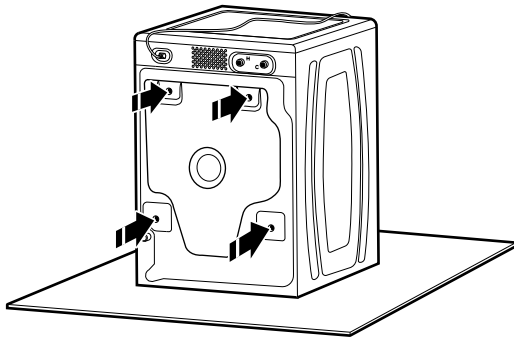
## Move All-In-One Washer & Dryer



It is necessary to remove all shipping materials for proper operation and to avoid excessive noise from machine.

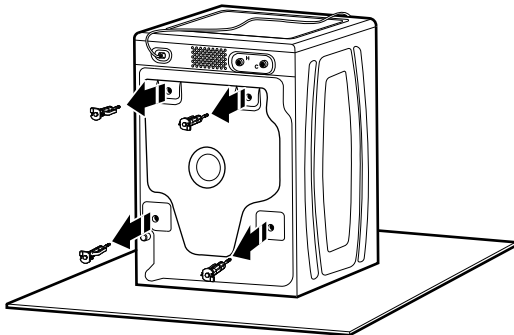
Move machine to within 4 ft (1.2 m) of its final location. It must be in a fully upright position.

## Locate transport bolts



Locate four transport bolts on rear of machine.

## Remove transport bolts from All-In-One Washer & Dryer



Loosen bolts with a 5/8" (16 mm) wrench.

Remove each bolt from machine, by pulling in the direction of the arrows, pull bolts and plastic spacers from back of machine. Discard bolts and spacers.

**NOTE:** Do not plug machine in until installation has been completed.

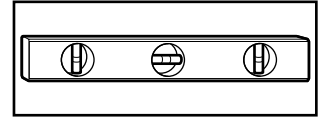
## REQUIREMENTS

### Tools and Parts

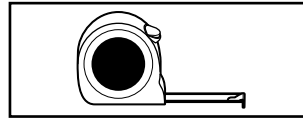
#### Tools needed:



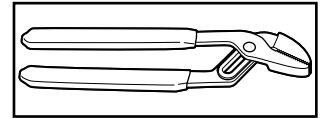
Adjustable or open end wrenches 1/2" (13 mm), 5/8" (16 mm) and 9/16" (14 mm)



Level

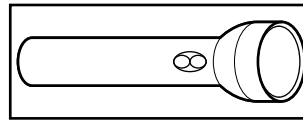


Ruler or measuring tape

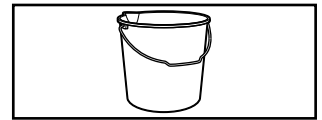


Pliers that open to 1 9/16" (39.5 mm)

#### Optional tool

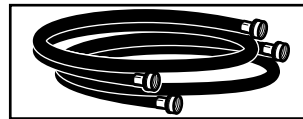


Flashlight

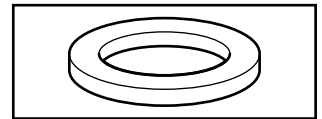


Bucket

#### Parts needed (not supplied with machine):



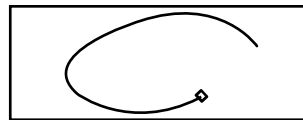
Water inlet hoses (2)



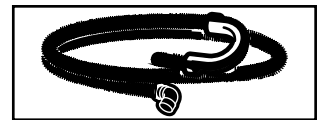
Flat inlet hose washers (4)

#### Parts supplied (not supplied with machine):

**NOTE:** All parts supplied for installation are in the machine basket.



Cable tie



Drain hose with clamp and form (may be shipped unassembled)

## Available accessories:

An optional matching pedestal is available for your machine. Please contact your retailer for ordering information, or see the "Assistance or Service" on Quick Start Guide.

## Alternate parts (not supplied with machine):

Your installation may require additional parts. To order, please refer to toll-free numbers on Quick Start Guide.

### If you have:

Overhead sewer

### You will need:

Standard 20 gallon (76 L) 39" (990 mm) tall drain tub or utility sink, sump pump and connectors (available from local plumbing suppliers)

**Alternate inlet hoses** (may be required for some installations, not supplied with machine):

- 8212656RP 10 ft (3.0 m) Inlet hose, Black EPDM (2 pack)
- 8212641RP 5 ft (1.5 m) Inlet hose, Black EPDM (2 pack)
- 8212546RP 4 ft (1.2 m) Inlet hose, Black EPDM (2 pack)
- 8212545RP 5 ft (1.5 m) Inlet hose, Red and Blue EPDM (2 pack)
- 8212487RP 5 ft (1.5 m) Nylon braided inlet hose (2 pack)
- 8212638RP 6 ft (1.8 m) Nylon braided inlet hose, space-saving 90° elbow, hydro-blue steel couplings (2 pack)

## Location Requirements

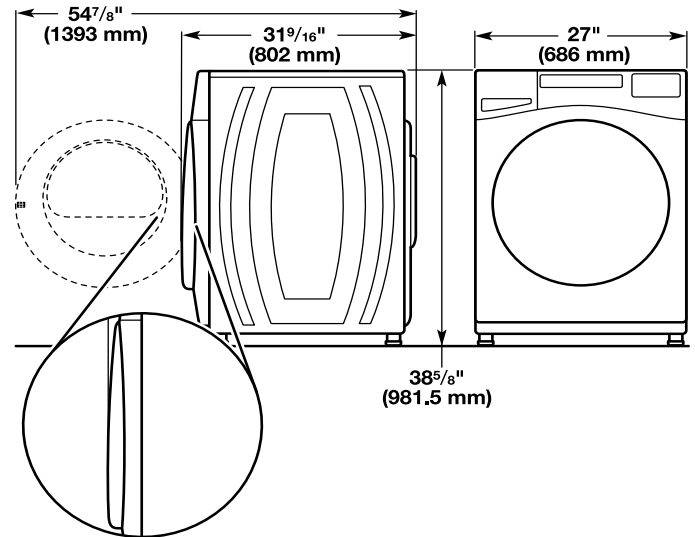
Proper installation is your responsibility.

### You will need:

- A water heater set to 120°F (49°C).
- A grounded electrical outlet located within 6 ft (1.8 m) of power cord on back of machine.
- Hot and cold water faucets located within 4 ft (1.2 m) of hot and cold water fill valves on machine, and water pressure of 20 psi–100 psi (137.9 kPa–689.6 kPa).
- A level floor with maximum slope of 1" (25 mm) under entire machine. Installing on carpet or surfaces with foam backing is not recommended.
- Floor must support machine's total weight (with water and load) of 315 lb (143 kg).

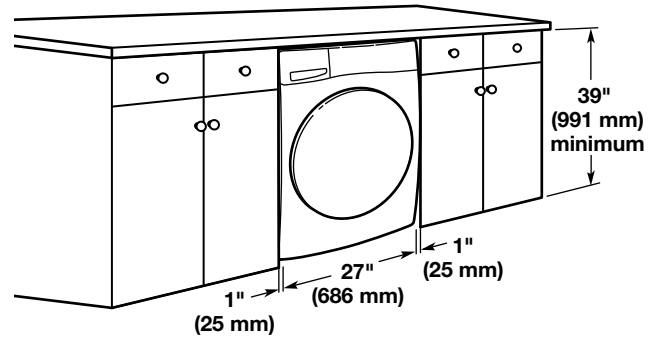
**IMPORTANT:** Do not install, store, or operate machine where it will be exposed to weather or in temperatures below 32°F (0°C). Water remaining in machine after use may cause damage in low temperatures. See "All-In-One Washer & Dryer Care" for winterizing information.

## Whirlpool® Models\*

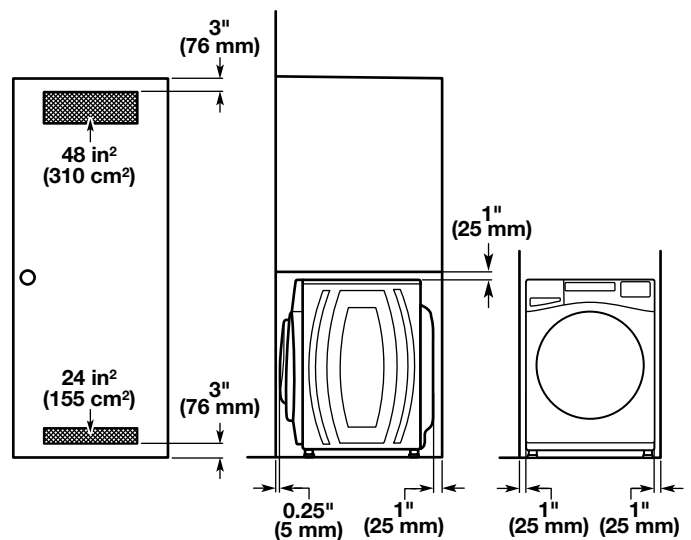


\*For additional details (or information) specific to your model, refer to the 'Dimensions' listed for your model at [www.whirlpool.com](http://www.whirlpool.com).

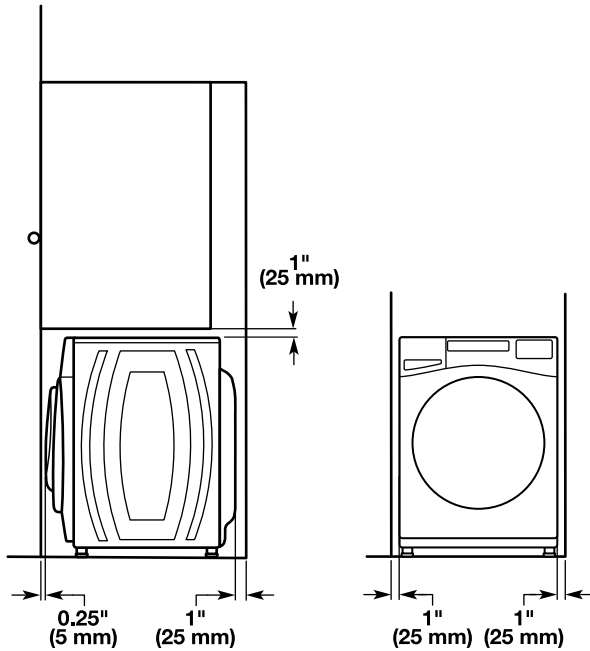
## Custom under-counter installation:



## Recessed area or closet installation:



**Custom cabinet installation:**

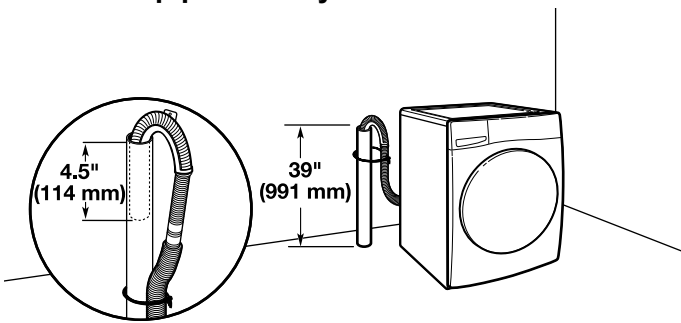


**Drain System**

The drain system can be installed using a floor drain, wall standpipe, floor standpipe, or laundry tub. Select the method you need.

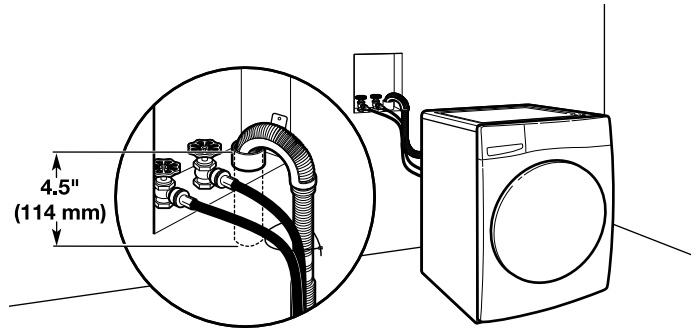
**IMPORTANT:** To avoid siphoning, no more than 4.5" (114 mm) of drain hose should be inside standpipe or below the top of wash tub. Secure drain hose with cable tie.

**Floor standpipe drain system**



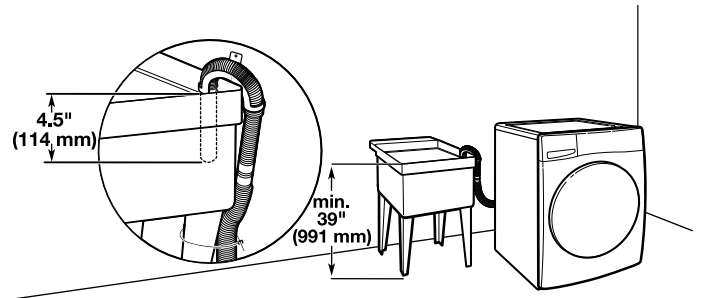
Minimum diameter for a standpipe drain: 2" (51 mm). Minimum carry-away capacity: 17 gallon (64 L) per minute. A 1/4" (6 mm) diameter to 1" (25 mm) diameter Standpipe Adapter Kit is available (Part Number 3363920). Top of standpipe must be at least 39" (991 mm) from the floor; install no higher than 96" (2.44 m) from bottom of machine. If you have an overhead sewer and need to pump higher than 96" (2.44 m), a sump pump and associated hardware are needed. See "Alternate parts."

**Wall standpipe drain system**

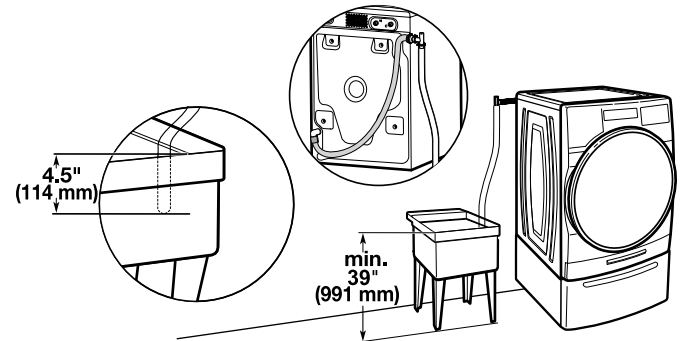


See requirements in the "Floor standpipe drain system" section.

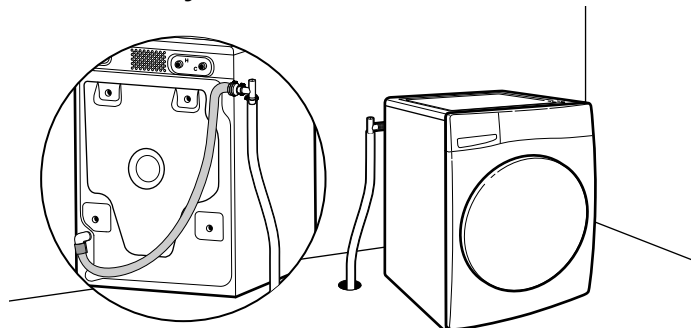
**Laundry tub drain System**



Minimum capacity: 20 gallon (76 L). Top of laundry tub must be at least 39" (991 mm) from the floor; install no higher than 96" (2.44 m) from bottom of machine.



**Floor Drain System**



Floor drain system requires a Siphon Break Kit, two Connector Kits, and an Extension Drain Hose that may be purchased separately. Please contact your retailer for ordering information, or see the "Assistance or Service" on Quick Start Guide. Minimum siphon break height: 28" (710 mm) from bottom of machine. (Additional hoses may be needed.)

## Electrical Requirements

### **⚠WARNING**



#### Electrical Shock Hazard

**Plug into a grounded 3 prong outlet.**

**Do not remove ground prong.**

**Do not use an adapter.**

**Do not use an extension cord.**

**Failure to follow these instructions can result in death, fire, or electrical shock.**

- A 120 V, 60 Hz., AC only, 15 A or 20 A, fused electrical supply is required. A time-delay fuse or circuit breaker is recommended. It is recommended that a separate circuit breaker serving only this appliance be provided.
- This machine is equipped with a power supply cord having a 3 prong grounding plug.
- To minimize possible shock hazard, the cord must be plugged into a mating, 3 prong grounding-type outlet, grounded in accordance with local codes and ordinances. If a mating outlet is not available, it is the personal responsibility and obligation of the customer to have the properly grounded outlet installed by a qualified electrician.
- If codes permit and a separate ground wire is used, it is recommended that a qualified electrician determine that the ground path is adequate.
- Do not ground to a gas pipe.
- Check with a qualified electrician if you are not sure the machine is properly grounded.
- Do not have a fuse in the neutral or ground circuit.

### GROUNDING INSTRUCTIONS

#### For a grounded, cord-connected appliance:

This appliance must be grounded. In the event of a malfunction or breakdown, grounding will reduce the risk of electric shock by providing a path of least resistance for electric current. This appliance is equipped with a cord having an equipment-grounding conductor and a grounding plug. The plug must be plugged into an appropriate outlet that is properly installed and grounded in accordance with all local codes and ordinances.

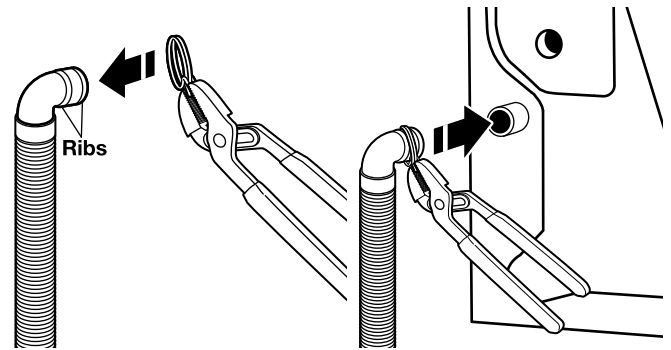
**WARNING:** Improper connection of the equipment-grounding conductor can result in a risk of electric shock. Check with a qualified electrician or serviceman if you are in doubt as to whether the appliance is properly grounded. Do not modify the plug provided with the appliance: if it will not fit the outlet, have a proper outlet installed by a qualified electrician.

### SAVE THESE INSTRUCTIONS

## INSTALLATION

### Connect Drain Hose

Attach drain hose to drain port



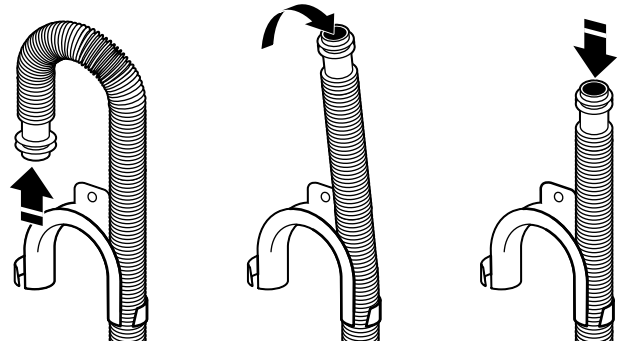
If clamp is not already in place on elbow end of drain hose, squeeze clamp with pliers and slide it over end of hose, centering it between the ribs, as shown. Squeeze clamp with pliers and slide elbow end of drain hose onto drain port and secure with clamp.

For a laundry tub or standpipe drain, refer the above/below steps.

For a floor drain, remove the preinstalled drain hose form as shown in the steps above/below. You may need additional parts with separate directions. See "Alternate Parts."

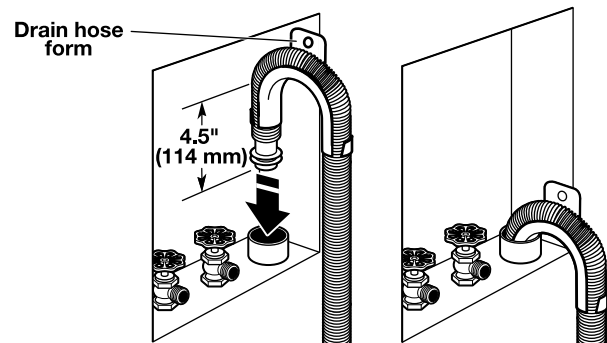
It is the responsibility of the installer to install and secure the drain hose into the provided plumbing/drain in a manner that will avoid the drain hose coming out of or leaking from the plumbing/drain.

### Remove drain hose form (floor drain installations only)



For floor drain installations, you will need to remove the drain hose form from the end of the drain hose. You may need additional parts with separate directions. See "Alternate Parts".

### Place drain hose in standpipe

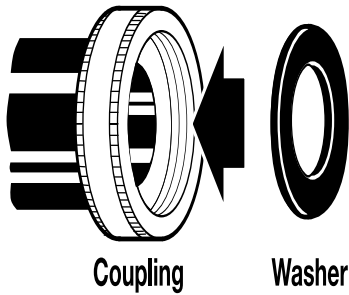


Place hose into standpipe (shown in picture) or over side of laundry tub.

**IMPORTANT:** 4.5" (114 mm) of drain hose should be inside standpipe; do not force excess hose into standpipe or lay on bottom of laundry tub. Drain hose form must be used.

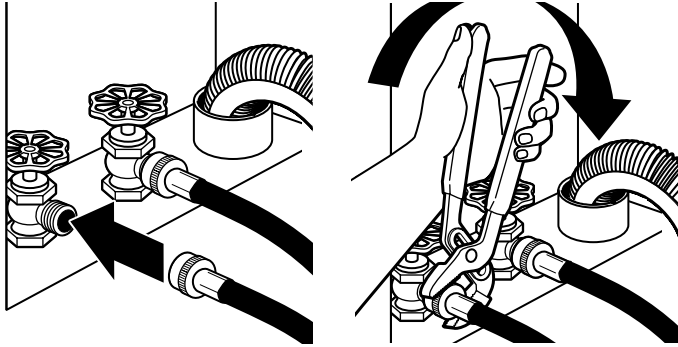
## Connect Inlet Hose

Insert new flat washers



**IMPORTANT:** To avoid leaks, check that your water inlet hoses have flat washers at both ends. Machine must be connected to water faucets with new inlet hoses with flat washers (not provided). Do not use old hoses. Do not use hoses without washers.

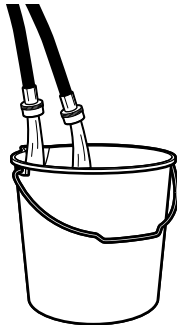
Connect inlet hoses to water faucets



**IMPORTANT:** Do not overtighten or use tape or sealants on valve when attaching to faucets or machine. Damage can result.

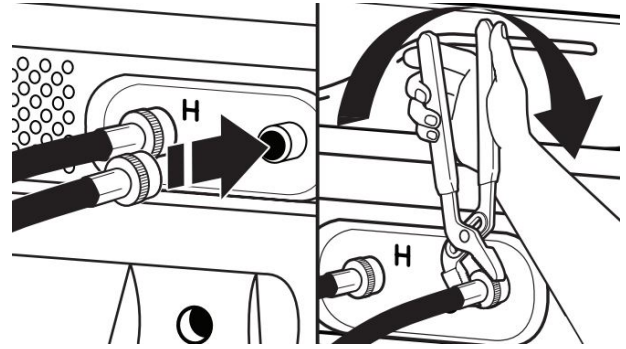
Attach the hose labeled hot to hot water faucet. Screw on coupling by hand until it is seated on washer. Use adjustable pliers to tighten couplings an additional two-thirds turn. Repeat this step with the hose labeled cold for the cold water faucet. Both hoses must be connected for machine to work properly.

Clear water lines



Run water for a few seconds through hoses into a laundry tub, drainpipe, or bucket to prevent clogs. Water should run until clear.

Connect inlet hoses to Machine

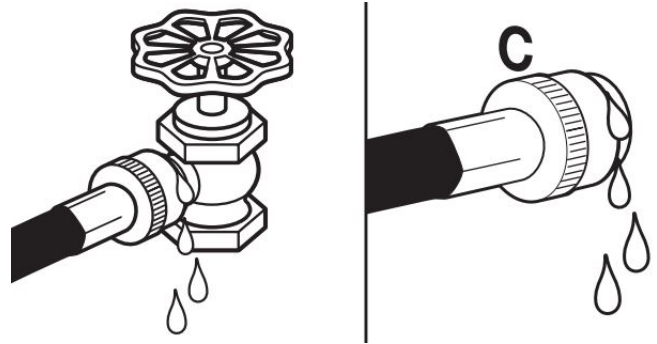


**IMPORTANT:** To reduce risk of hose failure, replace the hoses every 5 years. Record hose installation or replacement dates for future reference.

- Do not overtighten hose or use tape or sealants on the valve. Damage to the valves can result.
- Periodically inspect and replace hoses if bulges, kinks, cuts, wear, or leaks are found.

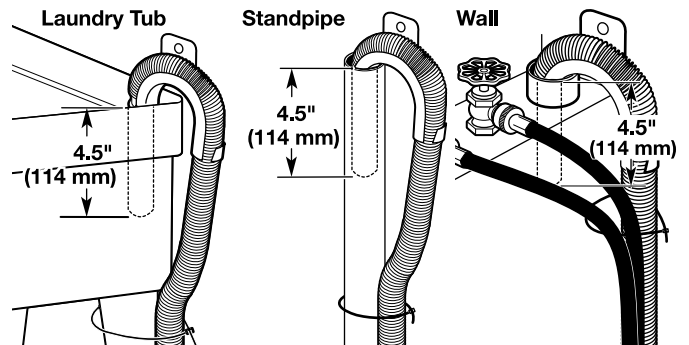
Attach hot water hose to hot water inlet valve. Screw coupling by hand until it is snug. Use adjustable pliers to tighten couplings an additional two-thirds turn. Repeat with cold water inlet valve.

Check for leaks



Slowly turn on water faucets to check for leaks. A small amount of water may enter machine. It will drain later.

Secure drain hose



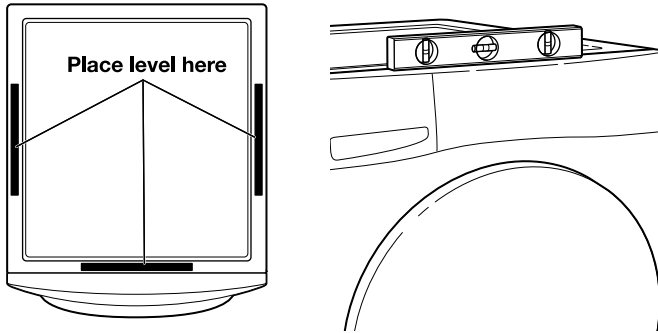
Secure drain hose to laundry tub leg, drain standpipe, or inlet hoses for wall standpipe with cable tie or beaded tie strap.

It is the responsibility of the installer to install and secure the drain hose in to the provided plumbing/drain in a manner that will avoid the drain hose coming out of or leaking from the plumbing/drain.

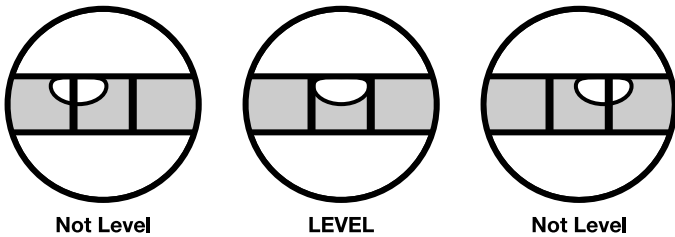
# Level All-In-One Washer & Dryer

**IMPORTANT:** Leveling your machine properly reduces excess noise and vibration.

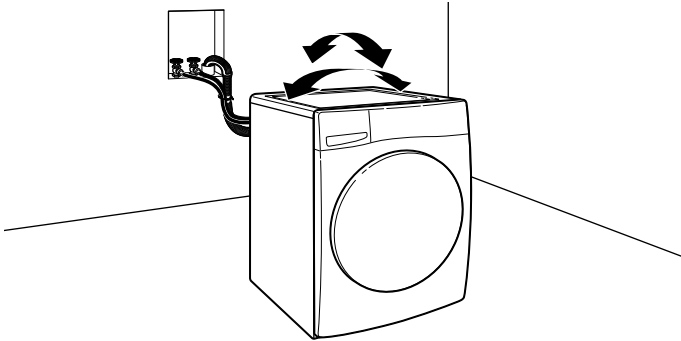
## Check levelness of machine



Remove cardboard from beneath machine. Place a level on top edges of machine, checking each side and front. If not level, tip machine and adjust feet up or down as shown in "Adjust leveling feet" and "Tighten leveling feet", repeating as necessary.

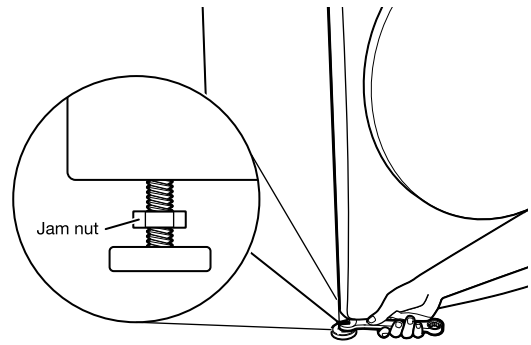


## Rock machine to test foot contact



Grip machine from top and rock back and forth, making sure all four feet are firmly on floor. Repeat, rocking machine from side to side. If machine rocks, adjust leveling feet. If all four feet are in firm contact with floor, tighten leveling feet.

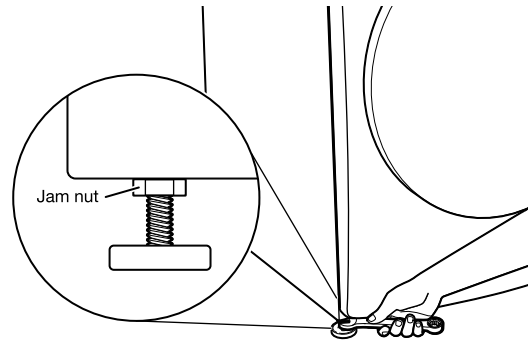
## Adjust leveling feet



If machine is not level, use a 9/16" (14 mm) open-end or adjustable wrench to turn jam nuts clockwise on feet until they are about 1/2" (13 mm) from the machine cabinet. Then turn the leveling foot clockwise to lower the machine or counterclockwise to raise the machine. Do not exceed 2" (50 mm) from bottom of foot to bottom of cabinet. Recheck levelness of machine and that all four feet are firmly in contact with the floor. Repeat as needed.

**HELPFUL TIP:** You may want to prop up front of machine about 4" (102 mm) with a wood block or similar object that will support weight of machine.

## Tighten leveling feet



When machine is level and all four feet are firmly in contact with the floor, use a 9/16" (14 mm) open-end or adjustable wrench to turn jam nuts counterclockwise on leveling feet tightly against machine cabinet.

**HELPFUL TIP:** You may want to prop machine with wooden block.

## **⚠WARNING**



### **Electrical Shock Hazard**

**Plug into a grounded 3 prong outlet.**

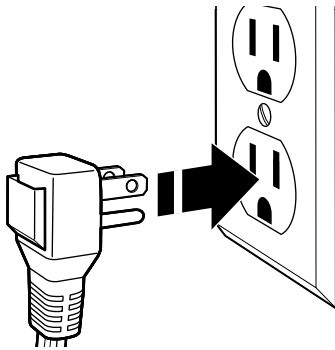
**Do not remove ground prong.**

**Do not use an adapter.**

**Do not use an extension cord.**

**Failure to follow these instructions can result in death, fire, or electrical shock.**

**Plug into a grounded 3 prong outlet**



## **Complete Installation Checklist**

- Check electrical requirements. Be sure you have correct electrical supply and recommended grounding method.
- Check that all parts are now installed. If there is an extra part, go back through steps to see what was skipped.
- Check that you have all of your tools. Check that transport materials were completely removed from back of machine.
- Check that both hot and cold hoses are attached and water faucets are on.
- Check for leaks around faucets, valves, and inlet hoses.
- Remove protective film from console and any tape remaining on machine.
- Check that machine is plugged into a grounded 3 prong outlet.
- Dispose of/recycle all packaging materials.
- To test and clean your machine, press POWER and choose the Quick cycle and run it without clothes. Use only HE detergent. Use 1/2 the manufacturer's recommended amount for a medium-size load.



# ESPECIFICACIONES TÉCNICAS

|                                       |            |                |
|---------------------------------------|------------|----------------|
| Modelos<br>7MWFC6820LW<br>7MWFC6820LC |            |                |
| Frecuencia de funcionamiento          | 60 Hz      |                |
| Voltaje de suministro eléctrico       | 110/-127 V |                |
| Capacidad máxima (ropas húmedas)      | Capacidad  | Uso de energía |
| 7MWFC6820L*                           | 20/12 kg   | 11-12 A        |
| Altura                                | 98 cm      |                |
| Ancho                                 | 69 cm      |                |
| Profundidad                           | 84 cm      |                |
| Presión máxima del suministro de agua | 485 kPa    |                |
| Presión mínima del suministro de agua | 35 kPa     |                |

## Importador

WHIRLPOOL MÉXICO, S.de R.L. de C.V.  
Antigua Carretera A Roma KM 9 SN  
Col.EL Milagro; Apodaca  
Nuevo León, México C.P. 66634  
Tel (+52) 81-83-29-21-00

## Exportador

WHIRLPOOL CORPORATION  
Benton Harbor, Michigan  
USA

## Mensaje para el usuario

Le agradecemos por comprar un electrodoméstico WHIRLPOOL. Diseñamos este manual del propietario. Contiene información importante sobre cómo operar y cuidar su lavadora-secadora de manera adecuada y segura. Por favor, léalo detenidamente.

## SEGURIDAD DE LA LAVADORA/SECADORA ALL-IN-ONE

### Su seguridad y la seguridad de los demás es muy importante.

Hemos incluido muchos mensajes importantes de seguridad en este manual y en su electrodoméstico. Lea y obedezca siempre todos los mensajes de seguridad.



Este es el símbolo de alerta de seguridad.

Este símbolo le llama la atención sobre peligros potenciales que pueden ocasionar la muerte o una lesión a usted y a los demás.

Todos los mensajes de seguridad irán a continuación del símbolo de advertencia de seguridad y de la palabra "PELIGRO" o "ADVERTENCIA". Estas palabras significan:

**⚠ PELIGRO**

Si no sigue las instrucciones de inmediato, usted puede morir o sufrir una lesión grave.

**⚠ ADVERTENCIA**

Si no sigue las instrucciones, usted puede morir o sufrir una lesión grave.

Todos los mensajes de seguridad le dirán el peligro potencial, le dirán cómo reducir las posibilidades de sufrir una lesión y lo que puede suceder si no se siguen las instrucciones.



## INSTRUCCIONES IMPORTANTES DE SEGURIDAD

**ADVERTENCIA:** Para reducir el riesgo de incendio, descarga eléctrica o lesiones al usar el electrodoméstico, siga las siguientes precauciones básicas:

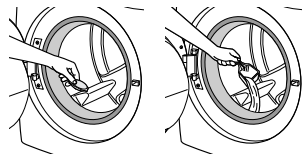
- Lea todas las instrucciones antes de usar el electrodoméstico.
- No lave ni seque artículos que ya se hayan limpiado, lavado, remojado o manchado con gasolina, disolventes de limpieza en seco, u otras sustancias inflamables o explosivas ya que despiden vapores que pueden encenderse o causar una explosión.
- No agregue gasolina, solventes para limpiar en seco u otras sustancias inflamables o explosivas al agua del lavado. Estas sustancias despiden vapores que pueden encenderse o causar una explosión.
- En ciertas condiciones, puede producirse gas hidrógeno en un sistema de agua caliente que no se ha utilizado por dos semanas o más. **EL GAS HIDRÓGENO ES EXPLOSIVO.** Si no se ha usado el sistema de agua caliente durante dicho período, antes de usar una lavadora, abra todos los grifos de agua caliente y deje que corra el agua de cada uno por varios minutos. Esto liberará todo el gas hidrógeno que se haya acumulado. Debido a la inflamabilidad de dicho gas, no fume ni use una llama abierta durante este lapso.
- No permita que los niños jueguen sobre el electrodoméstico o dentro de este. Es necesario supervisar a los niños cuando se use el electrodoméstico cerca de ellos.
- Quite la puerta del electrodoméstico antes de ponerlo fuera de funcionamiento o de descartarlo.
- No introduzca las manos cuando la tina esté en movimiento.
- No instale ni almacene este electrodoméstico en lugares donde quede expuesto a la intemperie.
- No trate de forzar los controles.
- No repare o remplace ninguna pieza del electrodoméstico ni intente realizar una reparación a menos que esto se recomiende específicamente en las instrucciones de mantenimiento o de reparación publicadas para el usuario, y solo si las comprende y tiene la experiencia para llevarlas a cabo.
- No use piezas de repuesto que no hayan sido recomendadas por el fabricante (por ejemplo, piezas hechas en casa con una impresora 3D).
- Consulte las instrucciones de instalación para ver los requisitos de conexión a tierra y de instalación.
- Este aparato no está diseñado para ser utilizado por personas (incluidos niños) con capacidades físicas, sensoriales o mentales reducidas, o con falta de experiencia y conocimiento, a menos que haya recibido instrucciones o supervisión sobre el uso de el aparato.
- No coloque objetos expuestos a aceites para cocinar en su secadora. Los objetos expuestos a aceites para cocinar pueden contribuir a una reacción química que podría causar que una carga se incendie. Para reducir el riesgo de incendio debido a cargas contaminadas, la parte final de un ciclo en la secadora se produce sin calor (período de enfriamiento). Evite detener una secadora antes de que termine el ciclo de secado a menos que todos los objetos se saquen y separen rápidamente de modo que el calor se disipe.
- Si se ha dañado el cable de suministro, deberá ser reemplazado por el fabricante, por el representante de servicio o por personal calificado para evitar peligros.
- Deben utilizarse mangueras nuevas suministradas con el aparato, mangueras viejas no deben reutilizarse para evitar peligros.
- No Limpie su lavadora con sustancias o líquidos inflamables.
- **ADVERTENCIA:** Nunca detenga la lavadora-secadora antes del final del ciclo de secado, a menos que todos los artículos se retiren rápidamente y se esparzan para que el calor se disipe.
- No use el ciclo de secado en prendas sin un lavado previo.
- Retire todos los objetos de los bolsillos tales como encendedores y fósforos.
- No utilice suavizantes de telas o productos para eliminar la estática de las prendas a menos que lo recomiende el fabricante del suavizante de telas o las instrucciones del producto en uso.
- No utilice calor para secar artículos que contengan goma espuma o materiales con textura similar a la goma.

**GUARDE ESTAS INSTRUCCIONES**

# AGREGAR PRODUCTOS DE LAVANDERÍA

## Agregar detergente de alto rendimiento (HE) en la canasta:

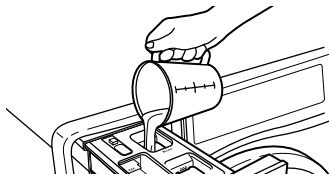
Los paquetes de detergente de lavandería de una dosis única, los productos para realzar el lavado tipo Oxi, el blanqueador no decolorante o los cristales perfumados pueden agregarse en el tambor antes de agregar la ropa. Al usar paquetes de detergente de lavandería de dosis única, asegúrese de que la opción de dispensador a granel Load & Go™ esté desactivado (en algunos modelos).



**NOTA:** Siga las instrucciones del fabricante para determinar la cantidad de los productos de lavandería que debe usar.

## Agregue blanqueador líquido con cloro en el dosificador para carga única:

Agregue blanqueador líquido con cloro en el compartimiento del blanqueador. No lo sobrellene, diluya ni utilice más de 2/3 taza (165 ml). No utilice blanqueador para ropa de color ni Oxi en el mismo ciclo con blanqueador líquido con cloro.

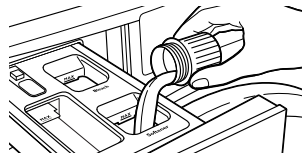


### IMPORTANTE:

- Siempre mida el blanqueador líquido con cloro. Use una taza medidora con pico vertedor; no lo haga al cálculo.
- No llene por encima de la línea "MAX" (Máximo). La sobrecarga puede dañar las prendas.
- No utilice blanqueador espesado para verter fácilmente o que no salpique al usar el ciclo Clean Washer with affresh® (Limpiar lavadora con affresh®), ya que puede producir un agua excesivamente jabonosa.
- En algunos modelos: No agregue blanqueador con cloro líquido al dosificador automático.
- Cierre lentamente los cajones del dosificador. Compruebe que los cajones estén cerrados por completo.

## Agregar suavizante de telas líquido al dosificador de carga única:

Vierta una cantidad medida de suavizante textil líquido en el compartimiento para suavizante textil líquido. Siga siempre las instrucciones del fabricante para usar la cantidad correcta de suavizante para tejidos según el tamaño de la carga. Desactive el dosificador Load & Go™ de 1 litro si no lo usa para distribuir detergente. El suavizante para telas se agrega en el último enjuague.



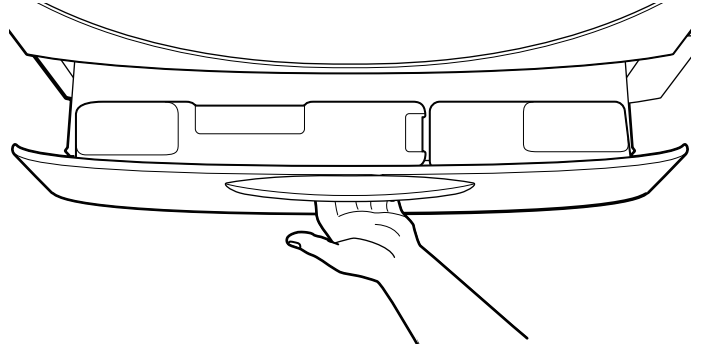
**IMPORTANTE:** No recargue, diluya ni utilice más de la cantidad de suavizante recomendada por el fabricante. No llene por encima de la línea "MAX" (máximo). Sobrellenar el dispensador hará que el suavizante textil se distribuya inmediatamente en la máquina.

- No derrame ni gotee el suavizante de telas sobre las prendas.
- No use bolas que distribuyen suavizante de telas en esta máquina. No se dosificará correctamente.
- No utilice suavizante de telas en láminas, ya que pueden manchar la carga.

## Agregar detergente HE en el dosificador Load & Go™ (en algunos modelos):

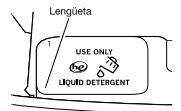
Use solamente detergentes de alto rendimiento (HE). Los dosificadores automáticos tienen una capacidad de 67,6 oz (2 l) o 33,8 oz (1 l) de detergente líquido de alto rendimiento (HE), dependiendo del dosificador, lo suficiente para varias cargas de artículos.

## Para llenar los dosificadores automáticos



Abra el cajón del dosificador; para ello, tire de la manija que se encuentra en la base de la máquina. Si lo desea, puede quitar por completo el cajón de la máquina.

Localice el dosificador automático Load & Go™. Levante suavemente la lengüeta ubicada en la tapa del dosificador automático para levantar la puerta de llenado.



Llene hasta la línea "MAX" (Máximo) (consulte las ilustraciones de la derecha) con detergente líquido de alto rendimiento (HE) o suavizante líquido de telas (solo en el dosificador de 1 litro). Cierre la puerta de llenado. Hará un chasquido al encajar en su lugar. Asegúrese de que el ajuste de concentración sea el correcto (consulte la "Guía de ciclos" en línea).



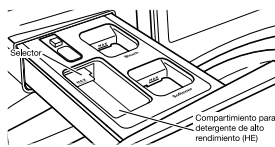
Se recomienda que enjuague los contenedores Load & Go™ cuando los recargue, cuando cambie la concentración o el tipo de detergente o cuando la máquina no vaya a usarse por un tiempo prolongado. Para obtener instrucciones acerca de cómo limpiar el cartucho del dosificador, consulte "Cuidado de la lavadora y secadora All-In-One" en la sección de "Mantenimiento y cuidado" del Manual del propietario.



Cuando desee que la máquina use el dosificador a granel Load & Go para dosificación de detergente automática, asegúrese de que la opción de dosificador a granel Load & Go™ está activada (en algunos modelos). No añada ningún detergente al dosificador de carga única.

### Agregar detergente de alto rendimiento (HE) al depósito:

Agregue una cantidad medida de detergente HE en el compartimiento para detergente. Para usar detergente en polvo, eleve el selector. Para usar detergente líquido, baje el selector.



No llene en exceso; el agregar demasiado detergente puede hacer que el mismo se distribuya demasiado pronto en la lavadora.

Cuando utilice el dosificador de carga única para detergente, asegúrese de que la opción de dispensador a granel Load & Go™ esté desactivado (en algunos modelos).

### Para aprovechar al máximo su lavadora y secadora All-In-One:

Su nueva máquina está configurada para ejecutar ciclos de lavado y secado de forma predeterminada. También tiene la opción de ejecutar ciclos de solo lavado o solo secado. Consulte la guía de secado para ver detalles adicionales.

Para obtener resultados óptimos de secado y para evitar que la ropa se arrugue, cargue prendas solo hasta que esté medio llena. Ya que esta unidad usa una tecnología de secado sin viento, espere que los tiempos de secado sean más largos en comparación de una secadora con ventilación.

## MANTENIMIENTO Y CUIDADO DE LA LAVADORA/SECADORA ALL-IN-ONE

### Mangueras de entrada de agua

Reemplace las mangueras de entrada después de cinco años de uso para reducir el riesgo de que fallen. Inspeccione periódicamente y cambie las mangueras de entrada si encuentra protuberancias, torceduras, cortes, desgaste o pérdidas de agua.

Al sustituir las mangueras de entrada:

Anote la fecha de reposición en la etiqueta con un marcador permanente.

Compruebe que los sellos de goma antiguos en las mangueras de entrada no estén atorados en las válvulas de entrada de la máquina.

Utilice arandelas nuevas en las mangueras de entrada nuevas para garantizar un sello adecuado.

### Cuidado de la lavadora/secadora All-In-One

#### Recomendaciones para que su máquina se mantenga limpia y rinda de manera óptima

1. Use siempre detergentes de alto rendimiento (HE) y siga las instrucciones del fabricante acerca de la cantidad de utilización. Nunca use más de la cantidad recomendada, ya que puede acelerar la acumulación de residuos de detergente y suciedad en la máquina, lo que puede causar un olor no deseado.
2. Realice a veces lavados con agua tibia o caliente (no solo con agua fría), ya que ofrecen un mejor rendimiento al controlar la velocidad de acumulación de la suciedad y del detergente.
3. Deje siempre la puerta de la máquina entreabierta entre usos para facilitar el secado total y evitar la acumulación de residuos causantes de olores.
4. Limpie de forma periódica los residuos de las superficies internas de la ventana. Para un mejor cuidado, repase todo el interior de la puerta con un paño húmedo.

### Limpieza de su lavadora y secadora All-In-One

Lea estas instrucciones por completo antes de comenzar el proceso de limpieza de rutina que se recomienda a continuación. El procedimiento de mantenimiento de la máquina deberá efectuarse como mínimo una vez al mes o cada 30 ciclos de lavado, lo que ocurra primero, para controlar el ritmo de acumulación de suciedad y detergente en la máquina. Tenga en cuenta que, dado que se trata de una lavadora y secadora todo en uno sin filtro de pelusa, es posible que vea más acumulación de pelusa en el sello de la puerta que en una lavadora típica.

#### Limpieza del sello de la puerta

1. Abra la puerta de la máquina y saque cualquier prenda o elemento dentro de la misma.
2. Inspeccione el sello de color gris entre la abertura de la puerta y el tambor, para detectar si hay áreas manchadas, acumulación de suciedad o pelusas. Retire el sello para inspeccionar todas las zonas debajo de la junta y comprobar si hay objetos extraños o pelusas.
3. Si se encuentran áreas manchadas, acumulación de suciedad o pelusas en el sello, límpielas con uno de los dos procedimientos siguientes:
  - a. **Affresh® Procedimiento con toallitas de limpieza de máquinas:**
    - i. Cuando se haya terminado el ciclo, jale suavemente la parte posterior del sello de goma de la puerta y limpie toda la superficie con el lado áspero de la toallita de limpieza de máquina affresh®.
  - b. **Procedimiento con blanqueador líquido con cloro diluido:**
    - i. Haga una solución diluida con 3/4 de tazas (177 mL) de blanqueador líquido de cloro y 1 galón (3,8 L) de agua templada del grifo.
    - ii. Frote el área del sello con la solución diluida y un paño húmedo.
    - iii. Deje reposar durante 5 minutos.
    - iv. Frote el área meticulosamente con un paño seco y deje que el interior de la máquina se seque al aire con la puerta abierta.

#### IMPORTANTE:

- Utilice guantes de goma cuando limpie con blanqueador.
- Consulte las instrucciones del fabricante sobre el uso adecuado del blanqueador.

#### Cómo limpiar el interior de la lavadora y secadora All-In-One

Esta máquina tiene un ciclo especial que utiliza mayores volúmenes de agua junto con el limpiador para lavadoras affresh® o el blanqueador líquido con cloro regular para limpiar profundamente el interior de la máquina. Los modelos de máquina con vapor también utilizan vapor para realzar la limpieza en este ciclo especial.

**IMPORTANTE:** No utilice blanqueador espesado, para verter fácilmente o que no salpique al usar el ciclo Clean Washer with affresh® (Limpiar la lavadora con affresh®) ya que puede producir un agua excesivamente jabonosa.

**NOTA:** Lea estas instrucciones completamente antes de comenzar el proceso de limpieza.

## Comience el procedimiento

### 1. Clean Washer with affresh® (Limpiar la lavadora con affresh®). Procedimiento del ciclo (se recomienda para el mejor desempeño):

- Abra la puerta de la máquina y saque cualquier prenda o elemento.
- Utilice una toallita de limpieza de lavadoras affresh® o un paño suave o esponja húmedos para limpiar la puerta de vidrio interior.
- Agregue una tableta de limpiador para máquina affresh® al tambor de la lavadora.
- No añada tabletas de limpiador para lavadora affresh® en el cajón del dosificador.
- No agregue ningún detergente ni ningún otro producto químico a la máquina cuando siga este procedimiento.
- Cierre la puerta de la máquina.
- Seleccione el ciclo Clean Washer with affresh® (Limpiar la lavadora con affresh®).
- En algunos modelos:** Seleccione la opción FanFresh® para ayudar a secar el interior de la máquina después de que finalice el ciclo.

**NOTA:** La máquina recuerda la última selección de opción y la utilizará para futuros ciclos de lavado a menos que se deseccione la opción.

- Mantenga presionado START/PAUSE (Inicio/Pausa) para comenzar el ciclo. La operación Clean Washer with affresh® (Limpiar la lavadora con affresh®) se describe a continuación.

### 2. Procedimiento con blanqueador con cloro:

- Abra la puerta de la máquina y saque cualquier prenda o elemento.
- Abra del cajón del dosificador para carga única y agregue blanqueador líquido común con cloro hasta la línea "MAX" (Máximo), tanto en el compartimiento del blanqueador como en el del suavizante. Puede utilizarse blanqueador con cloro HE o tradicional.

**IMPORTANTE:** No utilice blanqueador espesado, fácil de verter o sin salpicaduras, ya que puede producir un agua excesivamente jabonosa.

**NOTA:** Con el tiempo, el uso de una mayor cantidad de blanqueador líquido con cloro de la que se recomienda puede dañar la máquina.

- Cierre la puerta de la máquina y la gaveta del dosificador.
- No agregue ningún detergente ni ningún otro producto químico a la máquina cuando siga este procedimiento.
- Seleccione el ciclo Clean Washer with affresh® (Limpiar la lavadora con affresh®).
- En algunos modelos:** Seleccione la opción FanFresh® para ayudar a secar el interior de la máquina después de que finalice el ciclo.

**NOTA:** La máquina recuerda la última selección de opción y la utilizará para futuros ciclos de lavado a menos que se deseccione la opción.

- Mantenga presionado START/PAUSE (Inicio/Pausa) para comenzar el ciclo. La operación Clean Washer with affresh® (Limpiar la lavadora con affresh®) se describe a continuación.

**NOTA:** Para obtener mejores resultados, no interrumpa el ciclo.

## Descripción del funcionamiento del ciclo Clean Washer with affresh® (Limpiar la lavadora con affresh®):

- El ciclo "Clean Washer" con affresh® determinará si hay ropa u otros artículos en la máquina.
- Si no se detectan artículos en la máquina, ésta procederá con el ciclo.
  - Si se detectan elementos en la máquina, la pantalla mostrará "rL" (retire la carga). La puerta se desbloqueará. Abra la máquina y retire las prendas que estén en el tambor.
  - Toque POWER (Encendido) para eliminar el código "rL".
  - Mantenga presionado START/PAUSE (Inicio/Pausa) para reiniciar el ciclo.

- Solo modelos con vapor:** Durante los primeros 20 minutos del ciclo, se activará el vapor pero el tambor no girará ni se llenará con agua. Tal vez observe condensación en el vidrio de la puerta durante la fase inicial. Si utiliza una tableta de limpiador de lavadoras affresh®, no se disolverá por completo durante la fase de vapor. Esto es normal.

Una vez que haya finalizado el ciclo, deje la puerta levemente abierta para que haya una mejor ventilación y secado del interior de la máquina.

## Limpieza de los dosificadores

Después de usar el ciclo "Clean Washer with affresh®" puede encontrar acumulación de residuos en los dispensadores de la máquina.

Para eliminar los residuos del dispensador de carga única, retire el cajón y limpie las superficies con una toallita affresh® o con un paño húmedo y seque con toalla antes o después de poner a funcionar el ciclo Clean Washer with affresh® (Limpiar la lavadora con affresh®). Use un limpiador multiuso para superficies si es necesario.

En algunos modelos: Para eliminar los residuos del dispensador a granel Load & Go™, levante la manija de la carcasa del dispensador y tire para sacarlo del gabinete de la máquina; luego enjuague bien el dosificador bajo el chorro del agua. Enjuague a superficie del dosificador externo con una toallita de limpieza de máquina affresh® o un paño húmedo y seque con toalla. Use un limpiador multiuso para superficies si es necesario.

Vuelva a colocar el dosificador y compruebe que quede bien asentado.

**NOTA:** Los dosificadores no son aptos para lavavajillas.

## Cómo limpiar el exterior de la lavadora y secadora All-In-One

Utilice una toallita de limpieza de máquina affresh®, un paño suave y húmedo o una esponja para limpiar cualquier derrame. De vez en cuando, limpie el exterior de su máquina para ayudar a que se vea como nueva. Utilice una toallita limpiadora para máquinas affresh® o jabón suave y agua.

**IMPORTANTE:** Para evitar dañar el acabado de la máquina, no use productos abrasivos.

## Recordatorio del ciclo Clean Washer (Limpiar la lavadora)

**NOTA:** No todos los modelos cuentan con la luz de recordatorio de ciclo de Clean Washer with affresh®.

El LED "Clean Washer with affresh®" parpadeará al final de ciclo de lavado cuando la máquina complete 30 ciclos de lavado. Es un recordatorio de utilizar el ciclo Clean Washer with affresh® (Limpiar la lavadora con affresh®).

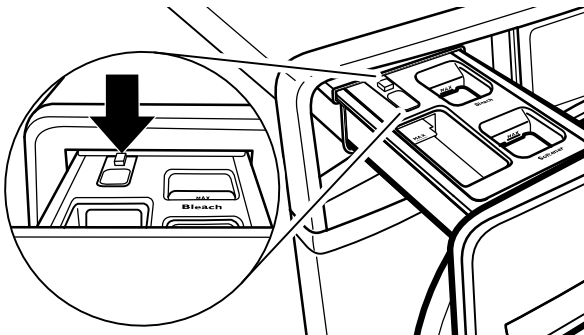
Si no se ejecuta el ciclo Clean Washer with affresh® (Limpiar la lavadora con affresh®), el LED dejará de parpadear al final de un ciclo de lavado, luego de ejecutar otros tres ciclos regulares de lavado. Después de 30 ciclos de lavado adicionales, el LED "Clean Washer with affresh®" Volverá a parpadear al final de un ciclo de lavado como recordatorio.

## CÓMO QUITAR EL DOSIFICADOR

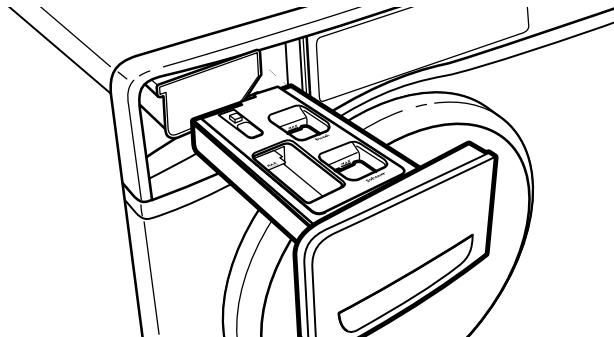
### Cajón del dosificador para carga única

#### Para quitarlo:

1. Jale el cajón del dosificador hacia afuera hasta que se detenga.
2. Presione la lengüeta de liberación hacia abajo y jale directamente hacia fuera para sacar el dosificador.

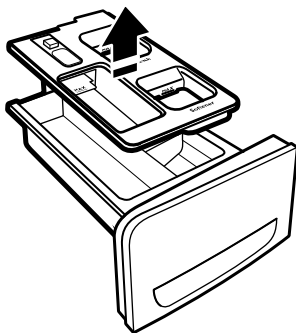


3. Levante y quite la bandeja de la cubierta elevándola directamente.



#### Para volver a colocarlo:

1. Coloque de nuevo el panel de la cubierta sobre los postes en el dosificador. Aplique una leve presión sobre el panel para que encaje en su lugar.
2. Alinee los bordes del dosificador con las guías en la máquina, luego deslice el depósito nuevamente dentro de la ranura.

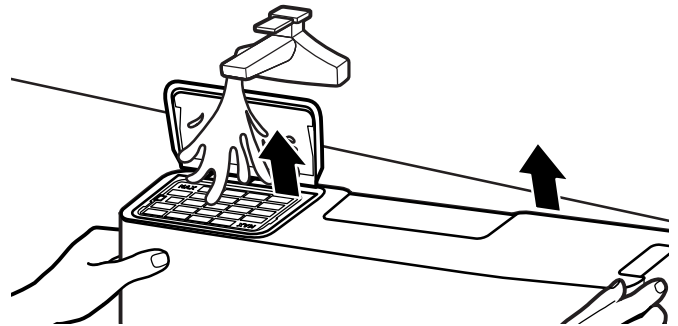


## Limpeza de los dosificadores Load & Go™ (en algunos modelos)

Se recomienda que enjuague los contenedores Load & Go™ cuando los recargue, cuando cambie la concentración o el tipo de

detergente o cuando la máquina no vaya a usarse por un tiempo prolongado.

1. Jale el cajón del dosificador hacia afuera hasta que se detenga.
2. Levante los recipientes Load & Go™.
3. Levante la tapa de llenado y enjuague a fondo el interior con agua tibia.



4. Déjelo secar al aire.

## Cuidados durante la falta de uso y las vacaciones

Ponga a funcionar su máquina únicamente cuando esté en casa. Si va a mudarse, o no va a usar la máquina durante cierto tiempo, siga estos pasos:

1. Desenchufe o desconecte el suministro de energía a la máquina.
2. Cierre el suministro de agua a la máquina para evitar inundaciones por aumentos en la presión del agua.

**CONSEJO ÚTIL:** Fije a la máquina una nota recordatoria de que se abra el agua antes de usarla nuevamente.

3. Limpie los depósitos. Consulte "Limpieza de los depósitos".

## Cuidados para el almacenamiento durante el invierno

**IMPORTANTE:** Para evitar daños, instale y guarde la máquina en un lugar donde no se congele. Debido a que puede quedar un poco de agua en las mangueras, el congelamiento puede dañar la máquina. Si va a almacenar o mover la máquina durante una temporada de temperaturas de congelamiento, acondiciónela para el invierno.

#### Para acondicionar para el invierno:

1. Cierre ambos grifos de agua, luego desconecte y vacíe las mangueras de entrada de agua.

**CONSEJO ÚTIL:** Fije a la máquina una nota recordatoria de que se abra el agua antes de usarla nuevamente.

2. Vierta un 1 cuarto (1 L) de anticongelante tipo R.V. en el tambor y ponga a funcionar la máquina en un ciclo Normal durante unos 2 minutos para mezclar el anticongelante con el agua restante.
3. Desenchufe la máquina o desconecte el suministro de energía.

## Transporte de su lavadora y secadora All-In-One

1. Cierre ambos grifos de agua. Desconecte y vacíe las mangueras de entrada de agua.
2. Si se va a trasladar la máquina durante una temporada de frío, siga las instrucciones de "Cuidado para el almacenamiento durante el invierno" antes del transporte.
3. Desconecte la manguera de desagüe del sistema de desagüe y de la parte posterior de la máquina.
4. Desenchufe el cable eléctrico.

5. Ponga las mangueras de entrada y la manguera de desagote en el interior del tambor.
6. Ate el cable eléctrico con una goma elástica o una brida para cables para evitar que cuelgue hasta el piso.

**IMPORTANTE:** Llame al servicio técnico para instalar nuevos pernos de transporte. No vuelva a usar los pernos de transporte. La máquina debe ser transportada en la posición vertical. Para prevenir daños estructurales en la máquina, debe estar debidamente preparada por un técnico certificado para ser nuevamente ubicada.

## ⚠ ADVERTENCIA



### Peligro de choque eléctrico

Conecte el producto a un tomacorriente de 3 terminales con conexión a tierra.

No quite el terminal de conexión a tierra.

No use un adaptador.

No use un cable eléctrico de extensión.

No seguir estas instrucciones puede ocasionar la muerte, incendio o choque eléctrico.

## Cómo reinstalar o usar nuevamente

Para reinstalar la máquina después de la falta de uso, las vacaciones, el almacenamiento durante el invierno o una mudanza:

1. Consulte las instrucciones de instalación para retirar los pernos de transporte, ubicar, nivelar y conectar la máquina.
2. Antes de usar la máquina nuevamente, póngala a funcionar según el procedimiento recomendado a continuación:

### Para volver a usar la máquina:

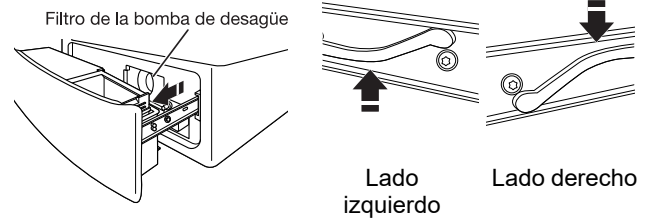
1. Deje correr agua por los tubos y las mangueras. Vuelva a conectar las mangueras de entrada de agua. Abra ambos grifos de agua.
2. Enchufe la máquina o vuelva a conectar el suministro eléctrico.
3. Ponga a funcionar la máquina en el ciclo Heavy Duty (Intenso) para limpiarla y extraer el anticongelante, si lo ha usado. Utilice solo detergente de alto rendimiento (HE). Use la mitad de la cantidad recomendada por el fabricante para una carga de tamaño mediano.

## Limpieza del filtro de la bomba de desagüe/ drenaje del agua residual (en algunos modelos)

**NOTA:** De vez en cuando, realice el siguiente procedimiento.

**IMPORTANTE:** Asegúrese de que la máquina esté apagada antes de limpiar el filtro de la bomba de desagüe.

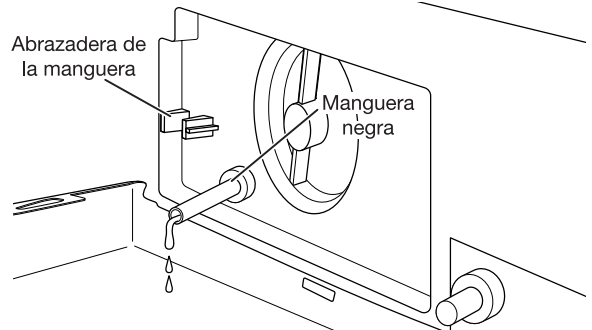
1. Abra el cajón del dosificador; para ello, tire de la manija que se encuentra en la base de la máquina. Esto le dará acceso al filtro de la bomba de desagüe. Libere la lengüeta de cada lado para quitar el cajón.



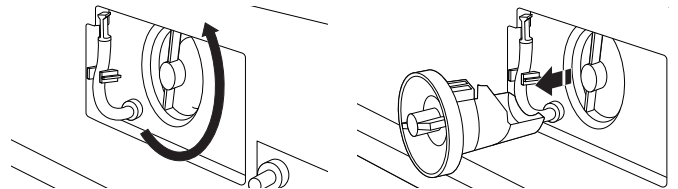
Con el dedo, empuje la lengüeta del lado derecho del cajón hacia abajo y la lengüeta del lado izquierdo del cajón hacia arriba.

2. Coloque un contenedor espacioso y plano debajo del filtro de la bomba de desagüe para recolectar el agua de desagüe. Retire la manguera negra de la abrazadera de la manguera, quite el tapón y drene la manguera en el contenedor. Vacíe el contenedor. Repita este procedimiento, de ser necesario, hasta que drene toda el agua. Asegúrese de que la manguera negra esté completamente seca, vuelva a colocar el tapón y fije la manguera en la abrazadera.

**NOTA:** Si el agua no se drena bien, tire levemente de la manguera para quitar cualquier posible retorcadura.

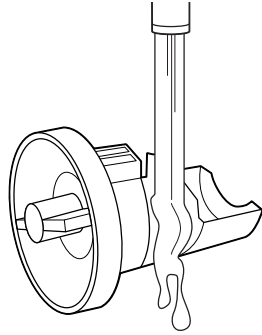


3. Extienda un paño de algodón debajo del filtro de la bomba de drenaje para absorber cualquier remanente de agua. A continuación, extraiga el filtro de la bomba de drenaje girándolo hacia la izquierda.

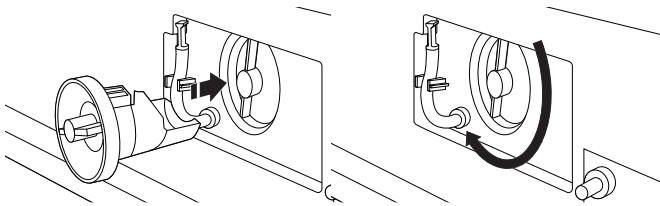




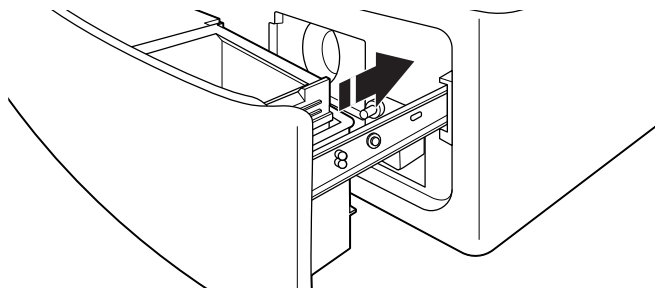
4. Revise el filtro de la bomba de drenaje una vez al mes. Retire con la mano cualquier amontonamiento existente de pelusa del filtro y colóquelo en un contenedor de desechos adecuado. Enjuague el filtro con agua para eliminar los residuos restantes.



5. Vuelva a insertar el filtro de la bomba de drenaje girándolo hacia la derecha. Asegúrese de girarlo hasta el tope y que la manija del filtro quede lo más cerca posible de la posición vertical.

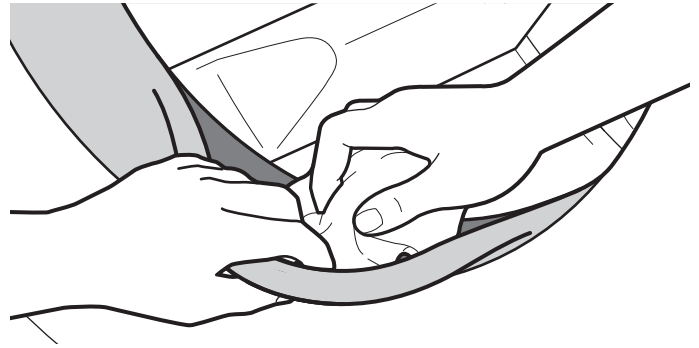


6. Vuelva a colocar y cierre lentamente el cajón del dosificador. Al volver a colocar el cajón, asegúrese de insertar ambos rieles a la vez. Escuchará un chasquido que indica que los rieles encajaron correctamente. Para asegurarse de colocar correctamente el cajón, sáquelo completamente hacia afuera. El cajón debe estar bien enganchado y los rieles asegurados en su lugar. Asegúrese de que la manguera de desagüe quede fija en la abrazadera y cubierta por el recorte.



## Limpeza adicional

Retire con suavidad la junta de goma de la puerta y limpie las zonas manchadas, la acumulación de suciedad o las pelusas con el lado texturado de una toallita para limpieza de máquinas affresh®.



## INSTRUCCIONES DE INSTALACIÓN

### ⚠ ADVERTENCIA

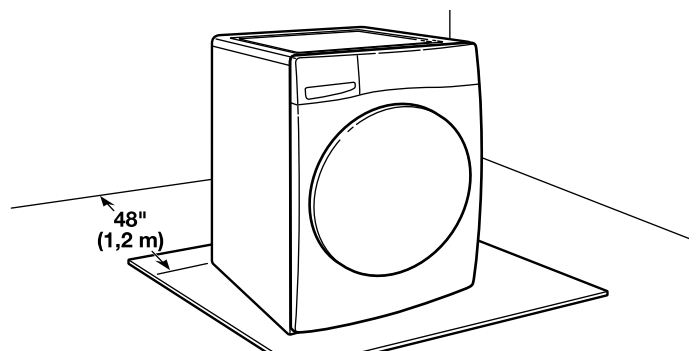
#### Peligro de Peso Excesivo

Use dos o más personas para mover e instalar o desinstalar el aparato.

No seguir esta instrucción puede ocasionar una lesión en la espalda u otro tipo de lesiones.

**NOTA:** Para evitar daños en el piso, coloque la máquina sobre un cartón antes de moverla.

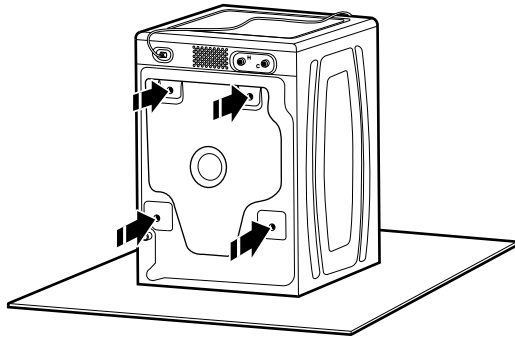
## Mueva la lavadora y secadora All-In-One



Es necesario quitar todos materiales de transporte para obtener un funcionamiento adecuado y evitar el ruido excesivo de la máquina.

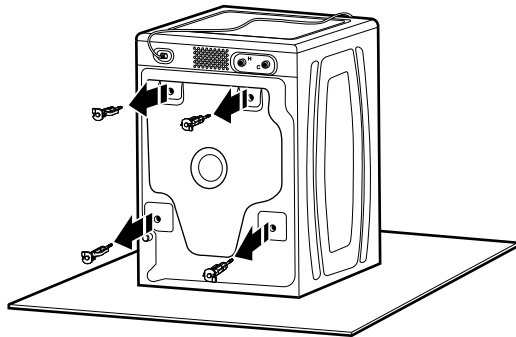
Mueva la máquina a no más de 4 pies (1,2 m) de su ubicación final. Deberá estar en posición completamente vertical.

## Ubique los pernos de transporte



Ubique los cuatro pernos de soporte que están en la parte posterior de la máquina.

## Quite los pernos de transporte de la lavadora y secadora All-in-One



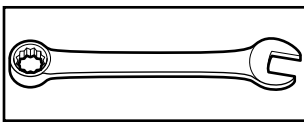
Afloje los pernos con una llave de tuercas de 5/8" (16 mm). Retire cada perno de la máquina al jalar en dirección de las flechas, jale los pernos y los espaciadores de plástico de la parte posterior de la máquina. Deseche de los pernos y los espaciadores.

**NOTA:** No enchufe la máquina sino hasta terminar la instalación.

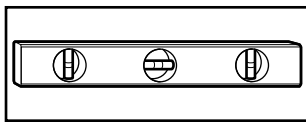
## REQUISITOS

### Herramientas y piezas

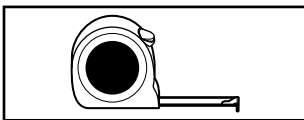
#### Herramientas necesarias:



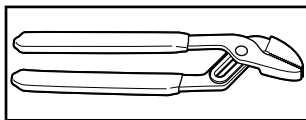
Llave de extremo abierto o llave ajustable de 1/2" (13 mm), 5/8" (16 mm) y 9/16" (14 mm)



Nivel

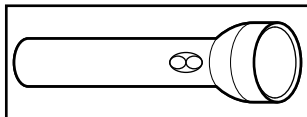


Regla o cinta para medir

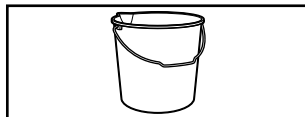


Pinzas que se abren a 1 9/16" (395 mm)

#### Herramientas optativas

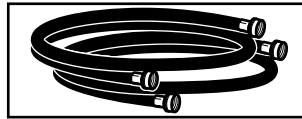


Linterna

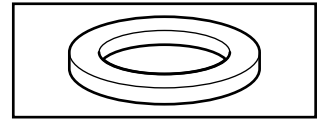


Cubeta

#### Piezas necesarias (no se suministran con la máquina):



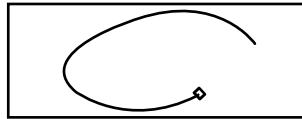
Mangueras de entrada de agua (2)



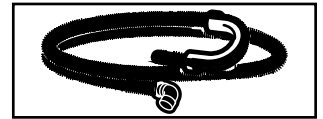
Arandelas planas de la manguera de entrada (4)

#### Piezas suministradas (no se suministran con la máquina):

**NOTA:** Todas las piezas provistas para la instalación se encuentran en la canasta de la máquina.



Brida para cables



Manguera de desagüe con abrazadera y molde (es posible que se envíe sin ensamblarse)

#### Accesorios disponibles:

Hay disponible un pedestal optativo que hace juego con la máquina. Comuníquese con su distribuidor para obtener información sobre cómo realizar pedidos o consulte "Asistencia o servicio" en la Guía de inicio rápido.

#### Piezas adicionales (No se proveen con la máquina):

Su instalación puede requerir piezas adicionales. Para pedir las, consulte los números de la línea gratuita que se incluyen en la Guía de inicio rápido.

#### Si tiene:

Desagüe en altura

#### Necesitará:

Tina de desagote estándar de 20 galones (76 L) 39" (990 mm) de altura o lavadero utilitario, bomba de sumidero y conectores (disponible en ferreterías locales)

**Mangueras de entrada alternativas** (es posible que sean necesarias para algunas instalaciones y no se suministran con la máquina):

- 8212656RP Manguera de entrada de 10 pies (3,0 m), EPDM negro (paquete de 2)
- 8212641RP Manguera de entrada de 5 pies (1,5 m), EPDM negro (paquete de 2)
- 8212546RP Manguera de entrada de 4 pies (1,2 m), EPDM negro (paquete de 2)
- 8212545RP Manguera de entrada de 5 pies (1,5 m), EPDM rojo y azul (paquete de 2)
- 8212487RP Manguera de entrada de nylon trenzado de 5 pies (1,5 m) (paquete de 2)
- 8212638RP Manguera de entrada de nylon trenzado de 6 pies (1,8 m), codo de 90° para ahorrar espacio, acoplamientos de acero "hypro-blue" (paquete de 2)



# Requisitos de ubicación

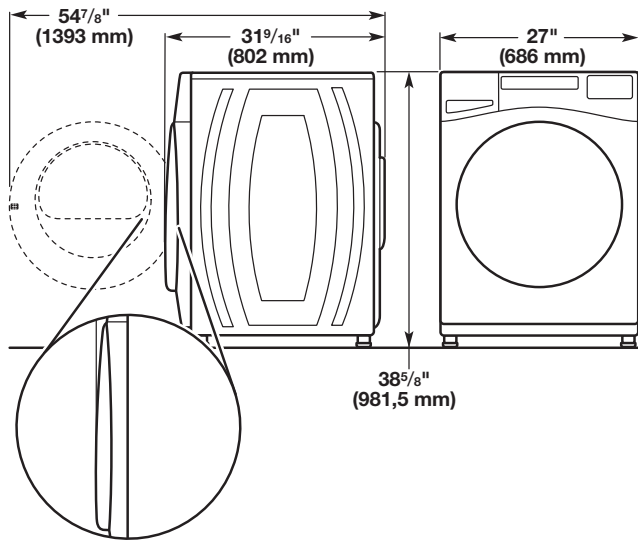
La instalación correcta es su responsabilidad.

## Necesitará:

- Un calentador de agua en 120 °F (49 °C).
- Un tomacorriente con conexión a tierra ubicado a no más de 6 pies (1,8 m) del cable eléctrico detrás de la máquina.
- Grifos de agua fría y caliente ubicados a 4 pies (1,2 m) de agua caliente y válvulas de llenado de agua fría en la máquina, y una presión de agua de 20 psi – 100 psi (137,9 kPa – 689,6 kPa).
- Un piso nivelado con un declive máximo de 1" (25 mm) debajo de la máquina completa. No se recomienda la instalación sobre alfombras ni superficies con reverso de espuma.
- El piso debe sostener el peso total de la máquina (con el agua y la carga) de 315 lb (143 kg)

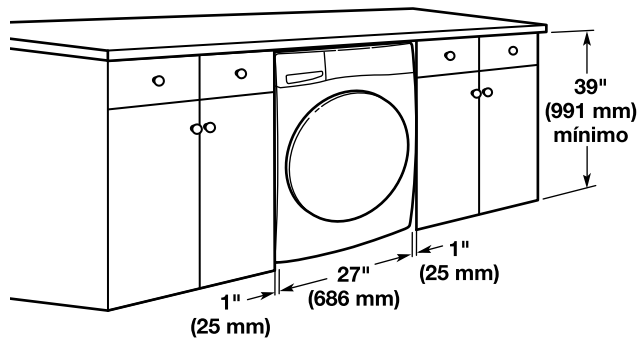
**IMPORTANTE:** No instale, guarde ni utilice la máquina en donde estará expuesta a la intemperie o a temperaturas por debajo de 32 °F (0 °C). El agua que queda en la máquina después del uso puede causar daños a bajas temperaturas. Consulte "Cuidado de la lavadora/secadora All-In-One" para obtener información sobre la preparación para el invierno.

## Whirlpool® Modelos\*

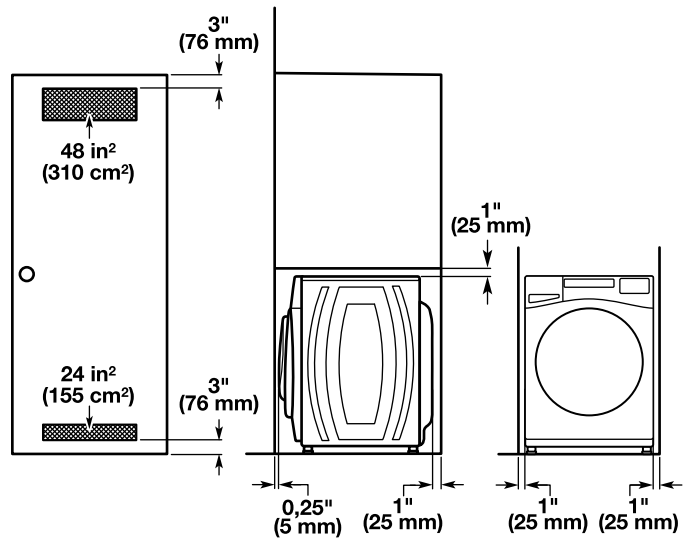


\*Para obtener más detalles (o información) específicos de su modelo, consulte las "Dimensiones" listadas para su modelo en [www.whirlpool.com](http://www.whirlpool.com).

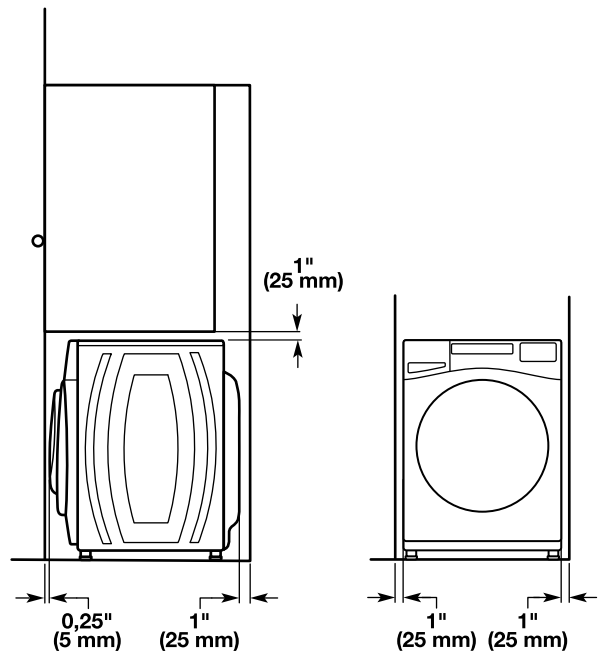
## Instalación bajo mostrador a la medida:



## Instalación en zona empotrada o en clóset:



## Instalación con armarios a la medida:

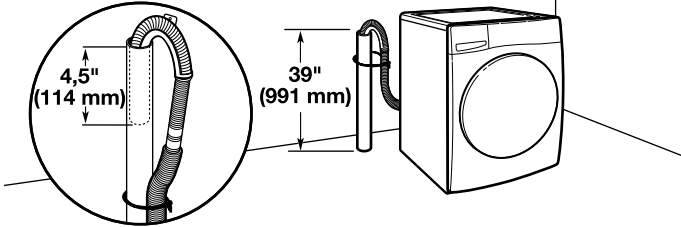


## Sistema de desagüe

El sistema de desagüe puede instalarse utilizando un desagüe de piso, tubo vertical de pared, tubo vertical de piso o tina de lavadero. Seleccione el método que necesita.

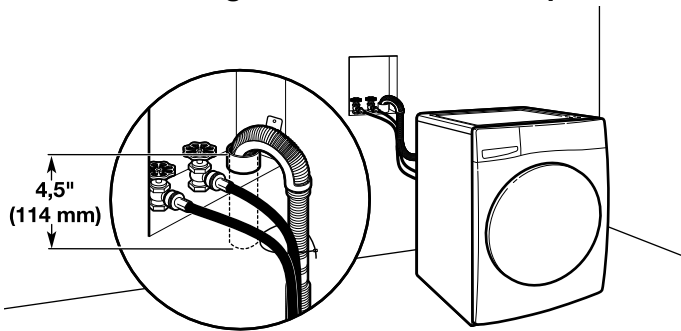
**IMPORTANTE:** Para evitar el efecto de sifón, no debe haber más de 4,5" (114 mm) de manguera de desagüe dentro del tubo vertical o debajo de la parte superior de la tina de lavado. Ajuste la manguera de desagüe con la atadura para cables.

### Sistema de desagüe de tubo vertical de piso



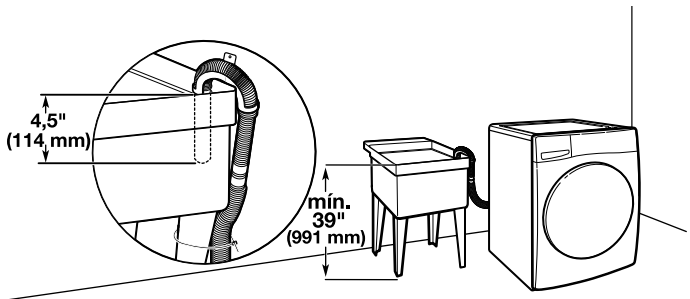
Diámetro mínimo para el desagüe de tubo vertical: 2" (51 mm). Capacidad mínima de desplazamiento: 17 galones (64 L) por minuto. Se encuentra disponible un Juego de adaptador para tubo vertical de 1/4" (6 mm) de diámetro a 1" (25 mm) de diámetro (Pieza número 3363920). La parte superior del tubo vertical debe estar a 39" (991 mm) del piso; instálela a no más de 96" (2,44 m) de la base de la máquina. Si tiene un desagüe en altura y necesita bombear a una altura superior a 96" (2,44 m), necesitará una bomba de sumidero y accesorios asociados. Ver "Piezas alternativas".

### Sistema de desagüe de tubo vertical de pared

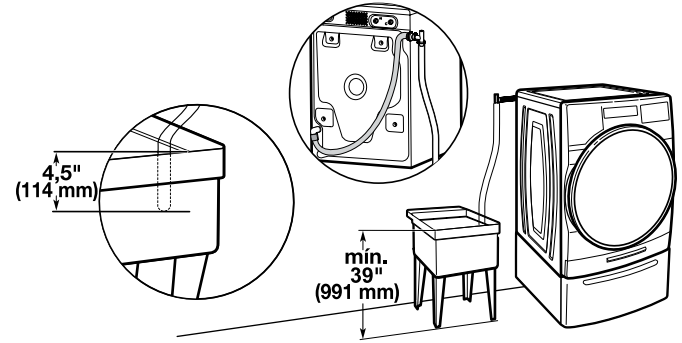


Vea los requisitos en la sección "Sistema de desagüe de tubo vertical de pared".

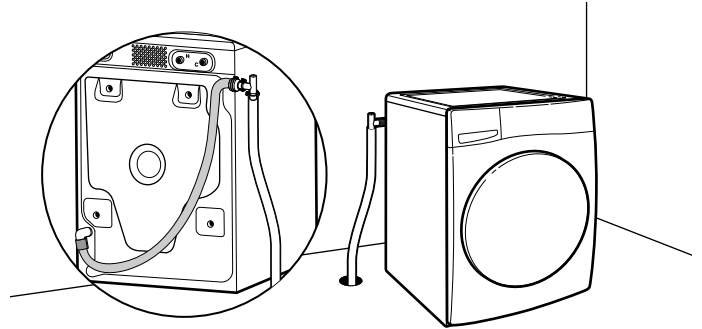
### Sistema de desagüe de tina de lavadero



Capacidad mínima: 20 galones (76 L) La parte superior de la tina de lavadero debe estar a 39" (991 mm) del piso; instálela a no más de 96" (2,44 m) de la base de la máquina.



### Sistema de desagüe por el piso



Un sistema de desagüe por el piso requiere de un juego de desviación de sifón, dos juegos de conectores y una manguera de desagüe de extensión, la cual puede comprarse por separado. Comuníquese con su distribuidor para obtener información sobre cómo realizar pedidos o consulte "Asistencia o servicio" en la Guía de inicio rápido. Altura mínima de desviación de sifón: 28" (710 mm) de la parte inferior de la máquina. (Se pueden necesitar mangueras adicionales.)

## Requisitos eléctricos

### ⚠ ADVERTENCIA



#### Peligro de choque eléctrico

**Conecte el producto a un tomacorriente de 3 terminales con conexión a tierra.**

**No quite el terminal de conexión a tierra.**

**No use un adaptador.**

**No use un cable eléctrico de extensión.**

**No seguir estas instrucciones puede ocasionar la muerte, incendio o choque eléctrico.**

- Se requiere un suministro eléctrico de 120 V, 60 Hz, CA solamente, con fusibles de 15 A o 20 A. Se recomienda un fusible retardador o un disyuntor. Se recomienda usar un disyuntor independiente que preste servicio únicamente a este electrodoméstico.
- Esta máquina viene equipada con un cable eléctrico que tiene un enchufe de 3 patas con conexión a tierra.
- Para reducir al mínimo el peligro de posibles choques eléctricos, el cable debe estar enchufado en un tomacorriente de 3 terminales, conectado a tierra de acuerdo con los códigos y las ordenanzas locales. Si no hay disponible un tomacorriente equivalente, es responsabilidad y obligación personal del cliente el hacer instalar un tomacorriente debidamente conectado a tierra por un electricista calificado.
- Si los códigos lo permiten y se emplea un cable de conexión a tierra separado, se recomienda que un electricista calificado determine si la trayectoria de descarga a tierra es adecuada.
- No conecte la descarga a tierra a un tubo de gas.
- Si no está seguro de que la conexión a tierra de la máquina sea la adecuada, verifíquela con un electricista competente.
- No coloque un fusible en el circuito neutro o de descarga a tierra.

## INSTRUCCIONES DE CONEXIÓN A TIERRA

**Para la conexión de una secadora mediante cable eléctrico conectado a tierra:**

Esta secadora debe estar conectada a tierra. En el caso de funcionamiento defectuoso o avería, la conexión a tierra reducirá el riesgo de choque eléctrico al proporcionar una vía de menor resistencia para la corriente eléctrica. Esta secadora está equipada con un cable que cuenta con un conductor para la conexión a tierra del equipo y un enchufe de conexión a tierra. El enchufe debe conectarse en un tomacorriente apropiado, que esté instalado y conectado a tierra de acuerdo con todos los códigos y las ordenanzas locales.

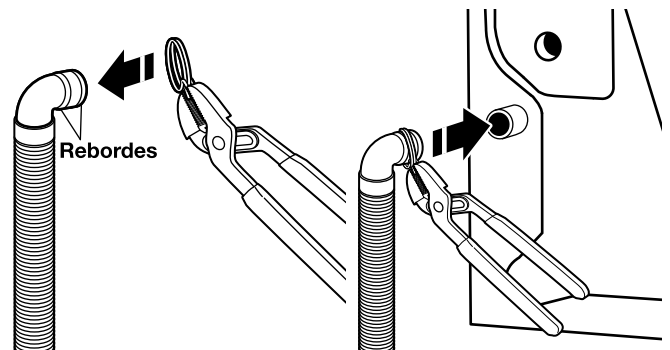
**ADVERTENCIA:** La conexión incorrecta del conductor de conexión a tierra del equipo puede dar como resultado el riesgo de un choque eléctrico. Si no está seguro de que la conexión a tierra del aparato sea la adecuada, verifíquela con un electricista o un técnico de servicio calificado. No modifique el enchufe proporcionado con la secadora. Si no encaja en el contacto, contrate un electricista calificado para que instale un contacto adecuado.

### GUARDE ESTAS INSTRUCCIONES

## INSTALACIÓN

### Conecte la manguera de desagüe

**Sujete la manguera de desagüe al puerto de desagüe**



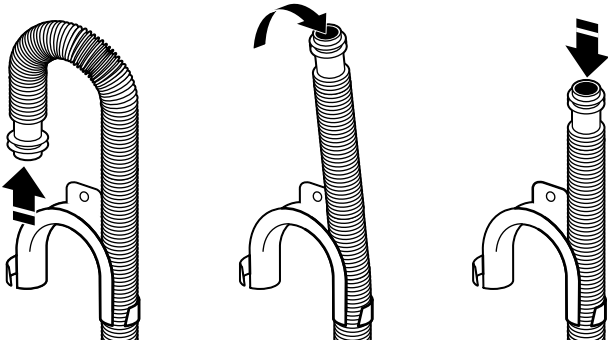
Si la abrazadera no está en su lugar sobre el extremo del codo de la manguera de desagüe, apriétela con pinzas y deslícela sobre el extremo de la manguera centrándola entre los rebordes, como se muestra. Apriete la abrazadera con pinzas y deslice el extremo del codo de la manguera de desagüe sobre el puerto de desagüe. Asegúrelo con la abrazadera.

Para una tina de lavadero o un drenaje vertical, consulte los pasos anteriores/siguientes.

Para el desagüe por piso, quite el molde de la manguera de desagüe preinstalado como se muestra en los pasos anteriores/siguientes. Puede ser que necesite piezas adicionales con instrucciones por separado. Ver "Piezas alternativas".

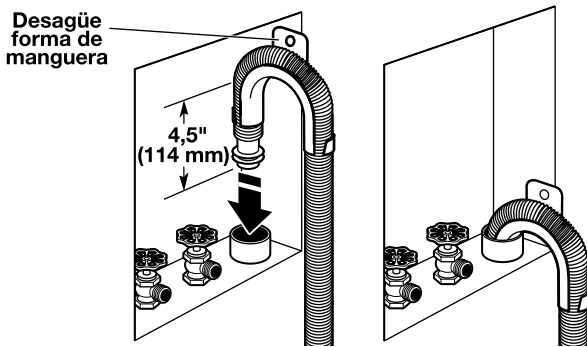
Es responsabilidad del instalador instalar y asegurar la manguera de desagüe en el desagüe/la plomería que se provee de una manera que impida que esta se salga o presente fugas de la plomería/el desagüe.

**Saque el molde de la manguera de desagüe (solo para instalaciones con desagüe por piso)**



Para las instalaciones con desagüe por piso, necesitará quitar el molde de la manguera de desagüe del extremo de esta. Puede ser que necesite piezas adicionales con instrucciones por separado. Ver "Piezas alternativas".

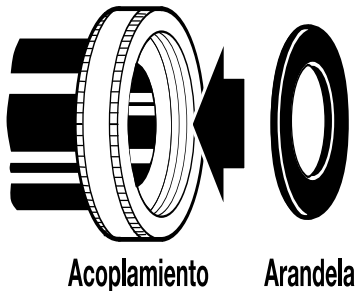
**Coloque la manguera de desagüe en el tubo vertical**



Coloque la manguera dentro del tubo vertical (se muestra en la ilustración) o sobre el lado de la tina de lavadero.

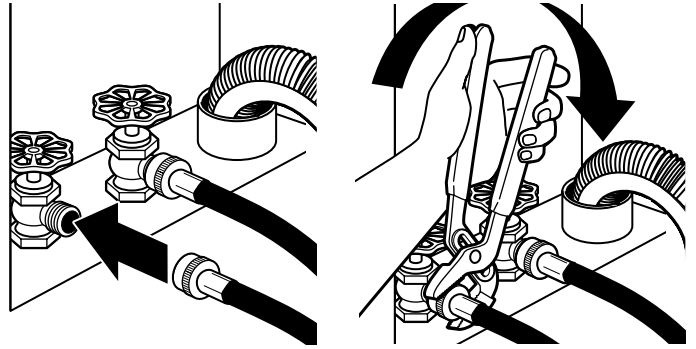
**IMPORTANTE:** Deberá haber 4,5" (114 mm) de manguera de desagüe dentro del tubo vertical; no fuerce el exceso de la manguera dentro del tubo vertical, ni lo coloque en el fondo de la tina de lavadero. Se debe usar el molde de la manguera de desagote.

**Conexión de la manguera de entrada**  
**Inserte las nuevas arandelas planas**



**IMPORTANTE:** Para evitar que haya fugas, verifique que las mangueras de entrada de agua tengan arandelas planas en ambos extremos. La máquina debe estar conectada a los grifos de agua con mangueras de entrada nuevas y arandelas planas (no provistas). No use mangueras viejas. No use las mangueras sin las arandelas.

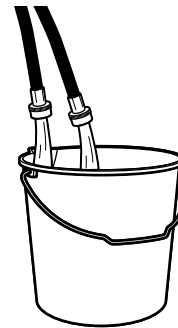
**Conecte las mangueras de entrada a los grifos de agua**



**IMPORTANTE:** No apriete en exceso ni use cinta o selladores en la válvula cuando la sujete a los grifos o a la máquina. Se pueden producir daños.

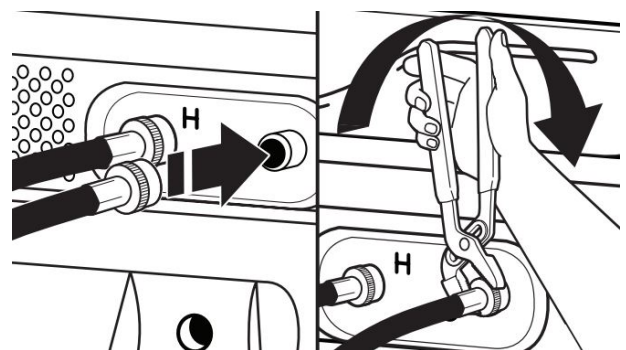
Conecte la manguera con la etiqueta "hot" (caliente) al grifo de agua caliente. Enrosque el acoplamiento con la mano hasta que quede asentado en la lavadora. Use pinzas regulables para ajustar los acoplamientos dos tercios de vuelta adicionales. Repita este paso con la manguera con la etiqueta "cold" (fría) para el grifo de agua fría. Deben conectarse ambas mangueras para que la máquina funcione correctamente.

**Vacíe las líneas de agua**



Deje correr agua por algunos segundos por las mangueras a una tina de lavadero, tubo de desagüe o cubeta para evitar que se obstruya. El agua debe correr hasta que salga limpia.

**Conecte las mangueras de entrada a la máquina**

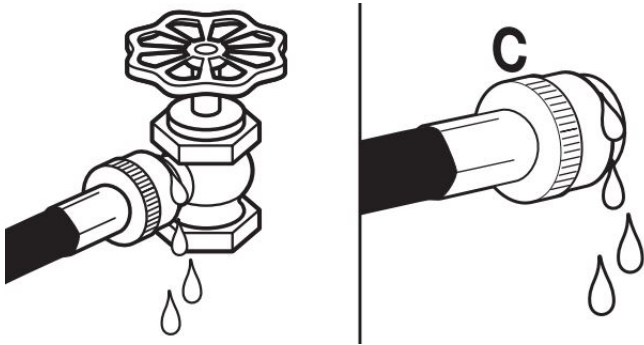


**IMPORTANTE:** Para reducir el riesgo de falla de la manguera, reemplácela cada 5 años. Para consultas futuras, anote la fecha de instalación o la fecha de reposición de las mangueras.

- No ajuste la manguera en exceso ni use cinta o selladores en la válvula. Se pueden dañar las válvulas.
- Inspeccione periódicamente y reemplace las mangueras si aparecen bultos, torceduras, cortaduras, desgaste o filtraciones de agua.

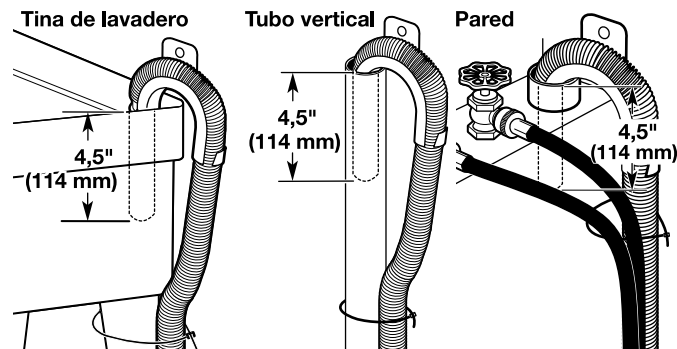
Sujete la manguera de agua caliente a la válvula de entrada del agua caliente. Enrosque el acoplamiento a mano hasta que quede firme. Use pinzas regulables para ajustar los acoplamientos dos tercios de vuelta adicionales. Repítalo con la válvula de entrada del agua fría.

### Revise si hay fugas



Abra lentamente los grifos del agua para revisar si hay fugas. Es posible que entre a la máquina una pequeña cantidad de agua, que se desaguará más tarde.

### Asegure la manguera de desagüe



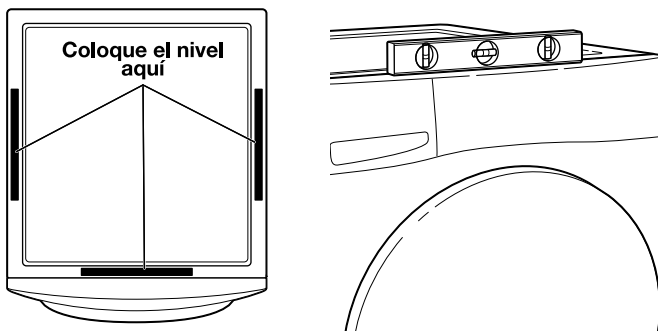
Asegure la manguera de desagüe a la pata de la tina del lavadero, al tubo vertical de desagüe o a las mangueras de entrada para el tubo vertical de pared, utilizando una atadura de cable o un fleje de atadura rebordado.

Es responsabilidad del instalador instalar y asegurar la manguera de desagüe en el desagüe/la plomería que se provee de una manera que impida que la manguera de desagüe se salga o presente fugas de la plomería/el desagüe.

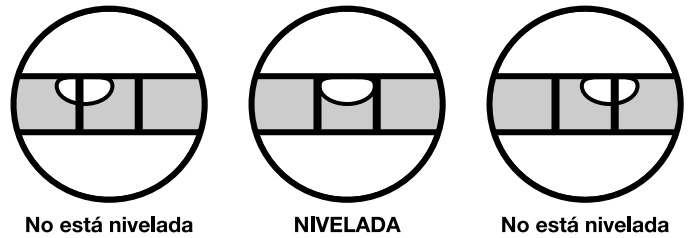
## Nivele la lavadora y secadora All-In-One

**IMPORTANTE:** Nivelar adecuadamente su máquina reduce el ruido y la vibración en exceso.

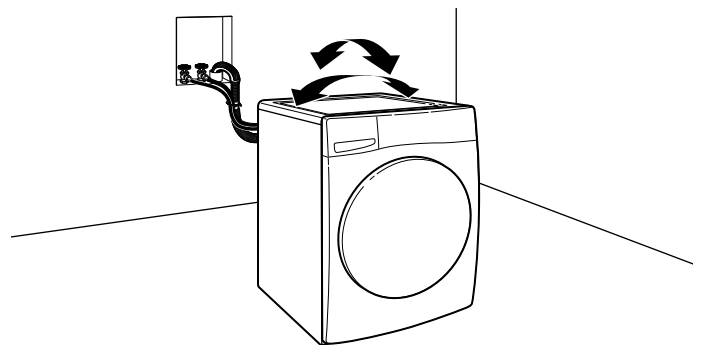
### Revise la nivelación de la máquina



Retire el cartón que está debajo de la máquina. Coloque un nivel en los bordes superiores de la máquina, revisando cada lado y el frente. Si no está nivelada, inclínela y ajuste las patas hacia arriba o abajo, como se muestra en "Ajustar patas" y "Apretar pies de nivelado", repita si es necesario.

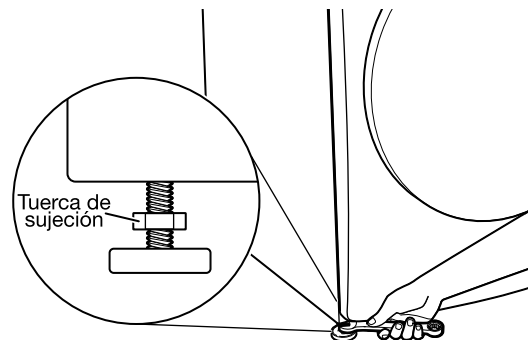


### Balancee la máquina para verificar el contacto de las patas



Sujete la máquina de la parte superior y balancéela de atrás hacia delante, asegurándose de que las cuatro patas estén firmes en el piso. Repítalo, balanceando la máquina de un lado al otro. Si la máquina se mueve, ajuste las patas niveladoras. Si las cuatro patas hacen contacto firme con el piso, aprietas las patas niveladoras.

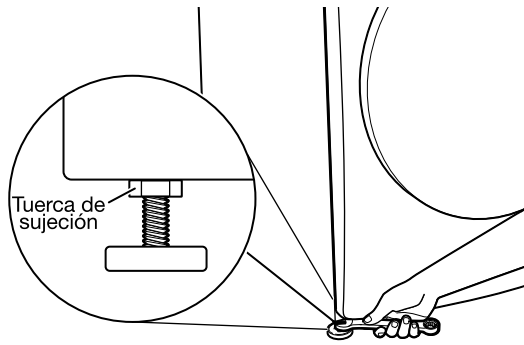
### Ajuste de las patas niveladoras



Si la máquina no está nivelada, use una llave de extremo abierto o llave ajustable de 9/16" (14 mm) para girar las tuercas de sujeción hacia la derecha sobre las patas hasta que estén a aproximadamente 1/2" (13 mm) de la carcasa de la máquina. Luego gire la pata niveladora hacia la derecha para bajar la máquina, o hacia la izquierda para levantarla. No exceda las 2" (50 mm) desde la base de la pata a la base de la carcasa. Vuelva a verificar la nivelación de la máquina y que las cuatro patas estén en contacto firme con el piso. Repita el procedimiento si es necesario.

**CONSEJO ÚTIL:** Puede apuntalar el frente de la máquina aproximadamente 4" (102 mm) con un bloque de madera o un objeto similar que vaya a soportar el peso de la máquina.

## Apriete las patas niveladoras



Una vez que la máquina esté nivelada y que las cuatro patas hagan contacto firme con el piso, use una llave de extremo abierto o llave ajustable de 9/16" (14 mm) para girar las tuercas de sujeción en las patas niveladoras hacia la izquierda y apretarlas con firmeza contra la carcasa de la máquina.

**CONSEJO ÚTIL:** Puede apuntalar la máquina con un bloque de madera.

## **⚠ ADVERTENCIA**



### **Peligro de choque eléctrico**

**Conecte el producto a un tomacorriente de 3 terminales con conexión a tierra.**

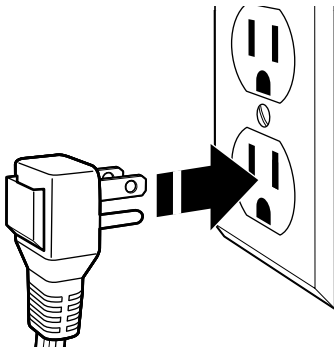
**No quite el terminal de conexión a tierra.**

**No use un adaptador.**

**No use un cable eléctrico de extensión.**

**No seguir estas instrucciones puede ocasionar la muerte, incendio o choque eléctrico.**

**Conecte a un tomacorriente con conexión a tierra de 3 terminales.**



## Lista de control de la instalación terminada

- Revise los requisitos eléctricos. Asegúrese de contar con suministro eléctrico correcto y el método recomendado de conexión a tierra.
- Verifique que todas las piezas estén ahora instaladas. Si hay alguna pieza extra, vuelva a revisar todos los pasos para ver qué se omitió.
- Verifique que tenga todas las herramientas. Revise que los materiales de transporte se hayan quitado por completo de la parte posterior de la máquina.
- Revise que las mangueras de agua caliente y agua fría estén sujetas y que los grifos de agua estén abiertos.
- Verifique si hay fugas alrededor de los grifos, las válvulas y las mangueras de entrada.
- Quite la película protectora de la consola y la cinta que quede en la máquina.
- Revise que la máquina esté enchufada en un tomacorriente de 3 terminales con conexión a tierra.
- Deseche o recicle todos los materiales de embalaje.
- Para probar y limpiar la máquina, presione Power (Encendido) y elija el ciclo Quick (Lavado rápido) y póngala a funcionar sin prendas. Utilice solo detergente de alto rendimiento (HE). Use 1/2 de la cantidad recomendada por el fabricante para una carga de tamaño mediano.