

# INSTALLATION INSTRUCTIONS

## DROP-IN ELECTRIC RANGE

### Table of Contents

<b>RANGE SAFETY</b> .....	<b>1</b>
<b>INSTALLATION REQUIREMENTS</b> .....	<b>2</b>
Tools and Parts .....	2
Location Requirements.....	2
Electrical Requirements .....	4
Countertop Preparation .....	4
<b>INSTALLATION INSTRUCTIONS</b> .....	<b>4</b>
Unpack Range .....	4
Install Anti-Tip Bracket.....	5
Adjust Leveling Legs .....	5
Electrical Connection .....	6
Verify Anti-Tip Bracket Is Installed and Engaged .....	7
Level Range .....	7
Install Lower Trim.....	7
Complete Installation .....	7
Moving the Range.....	8

## RANGE SAFETY

### Your safety and the safety of others are very important.

We have provided many important safety messages in this manual and on your appliance. Always read and obey all safety messages.



This is the safety alert symbol.

This symbol alerts you to potential hazards that can kill or hurt you and others.

All safety messages will follow the safety alert symbol and either the word “DANGER” or “WARNING.”

These words mean:

**⚠ DANGER**

**You can be killed or seriously injured if you don't immediately follow instructions.**

**⚠ WARNING**

**You can be killed or seriously injured if you don't follow instructions.**

All safety messages will tell you what the potential hazard is, tell you how to reduce the chance of injury, and tell you what can happen if the instructions are not followed.

### IMPORTANT:

Save for local electrical inspector's use.

W10430948A

## ⚠ WARNING

### Tip Over Hazard

A child or adult can tip the range and be killed.

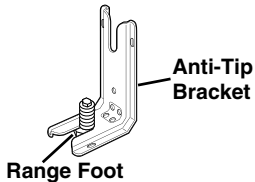
Install anti-tip bracket to floor or wall per installation instructions.

Slide range back so rear range foot is engaged in the slot of the anti-tip bracket.

Re-engage anti-tip bracket if range is moved.

Do not operate range without anti-tip bracket installed and engaged.

Failure to follow these instructions can result in death or serious burns to children and adults.



To verify the anti-tip bracket is installed and engaged:

- Slide range forward.
- Look for the anti-tip bracket securely attached to floor or wall.
- Slide range back so rear range foot is under anti-tip bracket.
- See installation instructions for details.

## INSTALLATION REQUIREMENTS

### Tools and Parts

Gather the required tools and parts before starting installation. Read and follow the instructions provided with any tools listed here.

#### Tools needed

- Tape measure
- Level
- Phillips screwdriver
- Flat-blade screwdriver
- Wrench or pliers
- Hand or electric drill
- 1/8" (3.2 mm) drill bit

#### Parts supplied

Check that all parts are included.

- 2 - #8 x 1/2" screws
- Trim plate
- 2 - Oven racks
- 2 - #12 x 1 1/8" mounting screws (for mounting anti-tip bracket)
- Anti-tip bracket (taped to oven rack)

#### Parts needed

- A UL listed or CSA approved conduit connector
- UL listed wire connects

Check local codes. Check existing electrical supply. See "Electrical Requirements" section.

It is recommended that all electrical connections be made by a licensed, qualified electrical installer.

### Location Requirements

**IMPORTANT:** Observe all governing codes and ordinances.

- It is the installer's responsibility to comply with installation clearances specified on the model/serial rating plate. The model/serial rating plate is located below the electronic control on oven frame.
- To eliminate the risk of burns or fire by reaching over heated surface units, cabinet storage space located above the surface units should be avoided. If cabinet storage is to be provided, the risk can be reduced by installing a range hood that projects horizontally a minimum of 5" (12.7 cm) beyond the bottom of the cabinets.
- Cabinet opening dimensions that are shown must be used. Given dimensions are minimum clearances.
- The anti-tip bracket must be installed. To install the anti-tip bracket shipped with the range, see "Install Anti-Tip Bracket" section.
- Range support slats must be solid, level and flush with bottom of cabinet cutout. Floor must be able to support a weight of 225 lbs (102.0 kg). Support slats must be securely fastened to the floor.
- Recessed installation area must provide complete enclosure around the recessed portion of the range.
- Grounded electrical supply is required. See "Electrical Requirements" section.

**IMPORTANT:** To avoid damage to your cabinets, check with your builder or cabinet supplier to make sure that the materials used will not discolor, delaminate or sustain other damage. This oven has been designed in accordance with the requirements of UL and CSA International and complies with the maximum allowable wood cabinet temperatures of 194°F (90°C).

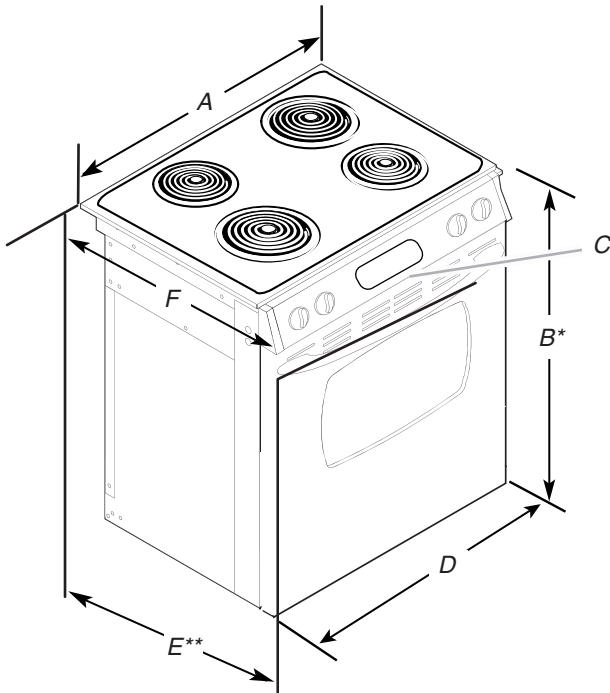
## Mobile Home - Additional Installation Requirements

The installation of this range must conform to the Manufactured Home Construction and Safety Standard, Title 24 CFR, Part 3280 (formerly the Federal Standard for Mobile Home Construction and Safety, Title 24, HUD Part 280). When such standard is not applicable, the Standard for Manufactured Home Installations, ANSI A225.1/NFPA 501A or with local codes.

### Mobile home installations require:

- When this range is installed in a mobile home, it must be secured to the floor during transit. Any method of securing the range is adequate as long as it conforms to the standards listed above.
- Four-wire cable must be used in a mobile home installation. The appliance wiring will need to be revised. See "Electrical Connection" section.

## Product Dimensions



- |  |   |
|--|---|
| A. 30 $\frac{3}{4}$ " (78 cm)  | D. 29 $\frac{7}{8}$ " (75.9 cm)   |
| B. 27 $\frac{1}{2}$ " (69.9 cm) height to underside of cooktop edge with leveling legs screwed all the way in* | E. 28 $\frac{5}{16}$ " (71.9 cm) from handle to standoff at back of range** |
| C. Model/serial number plate (located below the electronic control on oven frame)                              | F. 23 $\frac{3}{4}$ " (60.3 cm) countertop notch to rear of cooktop         |

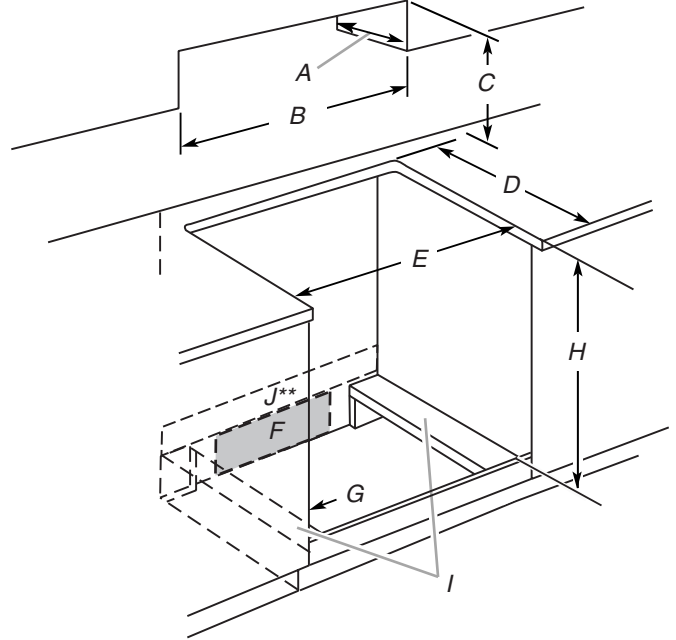
\*Range can be raised approximately 1" (2.5 cm) by adjusting the leveling legs.

\*\*When installed in a 24" (61 cm) base cabinet with 25" (63.5 cm) countertop; front of oven door protrudes 2 $\frac{1}{2}$ " (6.4 cm) beyond 24" (61 cm) base cabinet.

## Cabinet Dimensions

Cabinet opening dimensions shown are for 25" (64 cm) countertop depth, 24" (61 cm) base cabinet depth and 36" (91.4 cm) countertop height.

**IMPORTANT:** If installing a range hood or microwave hood combination above the range, follow the range hood or microwave hood combination installation instructions for dimensional clearances above the cooktop surface.



- |  |   |
|--|---|
| A. 13" (33 cm) upper cabinet depth   | G. Cabinet door or hinge should not extend into cutout.   |
| B. 30" (76.2 cm) min. opening width  | H. 27 $\frac{1}{2}$ " (69.9 cm) top of countertop to support slats  |
| C. For minimum clearance to the top of the cooktop, see NOTE*.                                     | I. 6" (15.2 cm) wide support slat on each side of cutout  |
| D. 23 $\frac{1}{4}$ " (58.1 cm) opening depth  | J. (Optional) - 3 $\frac{3}{8}$ " (1.0 cm) plywood support (30" [76.2 cm] width x 4" [10.2 cm] height), securely attached to at least 2 wall studs, in place of sheetrock** |
| E. 30" (76.2 cm) min. opening width  |   |
| F. Junction box - 5.5" (14 cm) min. from either cabinet, 8 $\frac{1}{4}$ " (21 cm) max. from floor |   |

\*NOTE: 24" (61 cm) minimum when bottom of wood or metal cabinet is covered by not less than 1/4" (0.64 cm) flame retardant millboard covered with not less than No. 28 MSG sheet steel, 0.015" (0.4 mm) stainless steel, 0.024" (0.6 mm) aluminum or 0.020" (0.5 mm) copper.

30" (76.2 cm) minimum clearance between the top of the cooking platform and the bottom of an uncovered wood or metal cabinet.

\*\*The plywood support (J) is required only when the wall mounting option is chosen for installation of the anti-tip bracket. For more information, see the "Install Anti-Tip Bracket" section.

## Electrical Requirements

If codes permit and a separate ground wire is used, it is recommended that a qualified electrical installer determine that the ground path and wire gauge are in accordance with local codes.

Check with a qualified electrical installer if you are not sure the range is properly grounded.

This range must be connected to a grounded metal, permanent wiring system.

Be sure that the electrical connection and wire size are adequate and in conformance with the National Electrical Code, ANSI/NFPA 70-latest edition or CSA Standards C22.1-94, Canadian Electrical Code, Part 1 and C22.2 No. O-M91-latest edition, and all local codes and ordinances.

A copy of the above code standards can be obtained from:

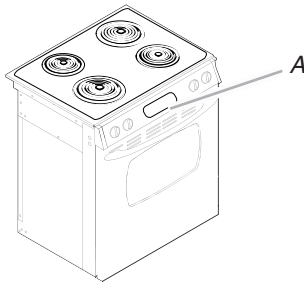
National Fire Protection Association  
1 Batterymarch Park  
Quincy, MA 02169-7471

CSA International  
8501 East Pleasant Valley Road  
Cleveland, OH 44131-5575

### Electrical Connection

To properly install your range, you must determine the type of electrical connection you will be using and follow the instructions provided for it here.

- Range must be connected to the proper electrical voltage and frequency as specified on the model/serial number rating plate. The model/serial number rating plate is located below the electronic control on oven frame. See the following illustration.



A. Model/serial number plate

- Models rated from 12.7 kW at 240 volts (9.5 at 208 volts) require a separate 50-amp circuit.

- A circuit breaker is recommended.
- Flexible conduit from appliance should be connected directly to the junction box.
- Do not cut the conduit. The length of conduit provided is for serviceability of the range.
- A UL listed or CSA approved conduit connector must be provided.
- If the house has aluminum wiring follow the procedure below:
  - Connect a section of solid copper wire to the ends of the flexible conduit leads.
  - Connect the aluminum wiring to the added section of copper wire using special connectors and/or tools designed and UL listed for joining copper to aluminum.

Follow the electrical connector manufacturer's recommended procedure. Aluminum/copper connection must conform with local codes and industry accepted wiring practices.

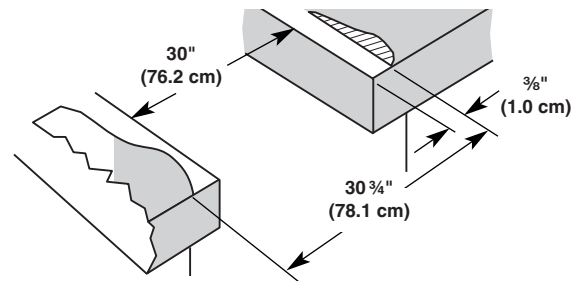
## Countertop Preparation

The cooktop sides of the drop-in range fit over the cutout edge of your countertop.

If you have a square finish (flat) countertop and the opening width is 30" (76.2 cm), no countertop preparation is required.

Formed front-edged countertops must have molded edge shaved flat  $\frac{3}{8}$ " (1.0 cm) from each front corner of opening.

Tile countertops may need trim cut back  $\frac{3}{8}$ " (1.0 cm) from each front corner and/or rounded edge flattened.



If countertop opening width is greater than 30" (76.2 cm), adjust the  $\frac{3}{8}$ " (1.0 cm) dimension.

Countertop must be level. Check levelness by placing level on countertop, first side to side, then front to back.

# INSTALLATION INSTRUCTIONS

## Unpack Range

### **WARNING**

#### **Excessive Weight Hazard**

**Use two or more people to move and install range.**

**Failure to do so can result in back or other injury.**

- Remove shipping materials, tape and protective film from the range. Keep cardboard bottom under range.
- Remove oven racks and parts package from inside oven.

- To place range on its back, take 4 cardboard corners from the carton. Stack one cardboard corner on top of another. Repeat with the other 2 corners. Place them lengthwise on the floor behind the range to support the range when it is laid on its back.
- Using 2 or more people, firmly grasp the range and gently lay it on its back on the cardboard corners.
- Pull cardboard bottom firmly to remove.
- Use an adjustable wrench to loosen the leveling legs.
- Place cardboard or hardboard in front of range. Using 2 or more people, stand range back up onto cardboard or hardboard.

## Install Anti-Tip Bracket

### **⚠ WARNING**



#### Tip Over Hazard

**A child or adult can tip the range and be killed.**

**Install anti-tip bracket to floor or wall per installation instructions.**

**Slide range back so rear range foot is engaged in the slot of the anti-tip bracket.**

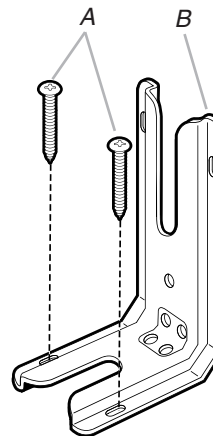
**Re-engage anti-tip bracket if range is moved.**

**Do not operate range without anti-tip bracket installed and engaged.**

**Failure to follow these instructions can result in death or serious burns to children and adults.**

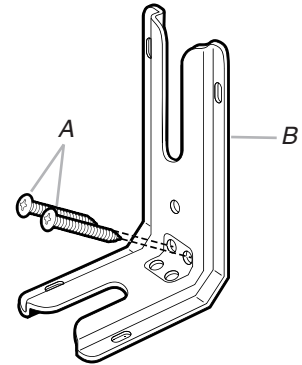
- Drill two  $\frac{1}{8}$ " (3.0 mm) holes that correspond to the bracket holes of the determined mounting method. See the following illustrations.

#### Floor Mounting



A. #12 x 1 $\frac{5}{8}$ " screws  
B. Anti-tip bracket

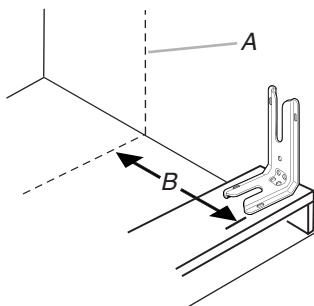
#### Wall Mounting



A. #12 x 1 $\frac{5}{8}$ " screws  
B. Anti-tip bracket

- Using the Phillips screwdriver, mount anti-tip bracket to the support slat or the wall support board, depending on the chosen method of installation, with the two #12 x 1 $\frac{5}{8}$ " screws provided.

- Remove the anti-tip bracket that is taped in the oven cavity.
- Determine which mounting method to use: floor or wall.
- For wall mounting method only:** Remove 30" (76.2 cm) wide by 4" (10.2 cm) high section of sheetrock, with the bottom of the area removed to be flush with the floor support slats. (See "Cabinet Dimensions" illustration in the "Location Requirements" section.) Securely attach a  $\frac{3}{8}$ " (1.0 cm) thick piece of plywood to at least two wall studs in place of the sheetrock. Plywood should span the width of the cabinet opening and sit flush with the top edge of the floor support slats.
- Determine and mark centerline of the cutout space. The mounting bracket can be installed on either the left side or right side of the cutout. Position mounting bracket in cutout so that right (or left) edge of the bracket is 13 $\frac{3}{4}$ " (34.9 cm) from centerline, as shown.



A. Centerline  
B. 13 $\frac{3}{4}$ " (34.9 cm)

## Adjust Leveling Legs

- If range height adjustment is necessary, use a wrench or pliers to loosen the 4 leveling legs. This may be done with the range on its back or with the range supported on 2 legs after the range has been placed back to a standing position.
 

**NOTE:** To place range back up into a standing position, put a sheet of cardboard or hardboard in front of range. Using 2 or more people, stand range back up onto the cardboard or hardboard.
- Adjust the leveling legs to the correct height. Leveling legs can be loosened to add up to a maximum of 1" (2.5 cm). A minimum of  $\frac{3}{16}$ " (5 mm) is needed to engage the anti-tip bracket.
 

**NOTE:** If height adjustment is made when range is standing, tilt the range back to adjust the front legs, then tilt forward to adjust the rear legs.
- When the range is at the correct height, check that there is adequate clearance under the range for the anti-tip bracket. Before sliding range into its final position, check that the anti-tip bracket will slide under the range and onto the rear leveling leg prior to anti-tip bracket installation.

## Electrical Connection

### **⚠ WARNING**



#### Electrical Shock Hazard

**Disconnect power before servicing.**

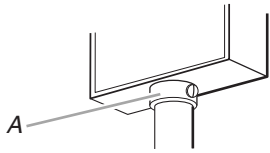
**Use 8 gauge solid copper wire.**

**Electrically ground oven.**

**Failure to follow these instructions can result in death, fire, or electrical shock.**

This range is manufactured with a neutral (white) power supply wire and a cabinet-connected green (or bare) ground wire twisted together.

1. Disconnect power.
2. Remove junction box cover if it is present.
3. Install a UL listed or CSA approved conduit connector to the junction box.



A. UL listed or CSA approved conduit connector

4. Route the flexible conduit from the range to the junction box through a UL listed or CSA approved conduit connector.
5. Tighten screws on conduit connector.
6. See "Electrical Connection Options Chart" to complete installation for your type of electrical connection.

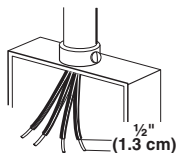
### Electrical Connection Options Chart

#### If your home has:

#### Go to section:

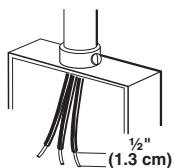
4-wire

4-wire Cable from Home Power Supply



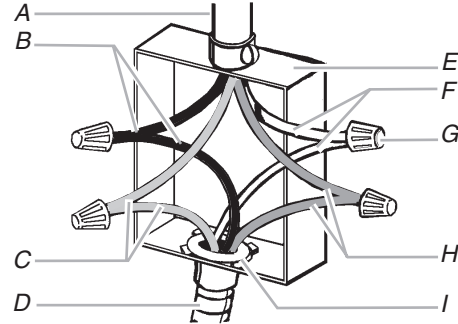
3-wire

3-wire Cable from Home Power Supply



### 4-Wire Cable from Home Power Supply

**IMPORTANT:** Use the 4-wire cable from home power supply where local codes do not allow grounding through neutral, New Branch circuit installations (1996 NEC), mobile homes, recreational vehicles, and new construction.

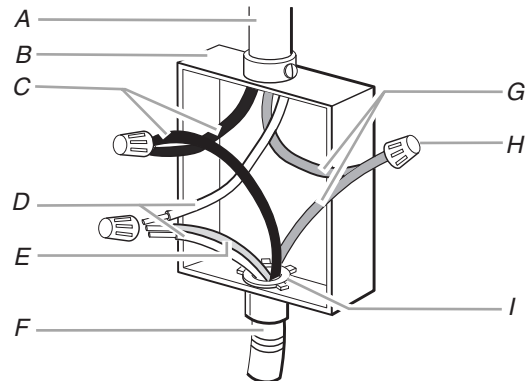


- A. Cable from home power supply
- B. Black wires
- C. Red wires
- D. 4-wire flexible conduit from range
- E. Junction box
- F. White wires
- G. UL listed wire connectors
- H. Green (or bare) ground wires
- I. UL listed or CSA approved conduit connector

1. Connect the 2 black wires (B) together using a UL listed wire connector.
2. Connect the 2 red wires (C) together using a UL listed wire connector.
3. Untwist white wire from green (or bare) ground wire coming from the range.
4. Connect the 2 white wires (F) together using a UL listed wire connector.
5. Connect the green (or bare) ground wire (H) from the range cable to the green (or bare) ground wire (in the junction box) using a UL listed wire connector.
6. Install junction box cover.

### 3-Wire Cable from Home Power Supply

**IMPORTANT:** Use the 3-wire cable from home power supply where local codes permit a 3-wire connection.

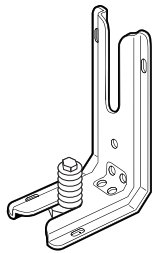


- A. Cable from home power supply
- B. Junction box
- C. Black wires
- D. White wires
- E. Green (or bare) ground wire (from range)
- F. 4-wire flexible conduit from range
- G. Red wires
- H. UL listed wire connectors
- I. UL listed or CSA approved conduit connector

1. Connect the 2 black wires (C) together using a UL listed wire connector.
2. Connect the 2 white wires (D) and the green (or bare) ground wire (of the range cable) using a UL listed wire connector.
3. Connect the 2 red wires (G) together using a UL listed wire connector.
4. Install junction box cover.

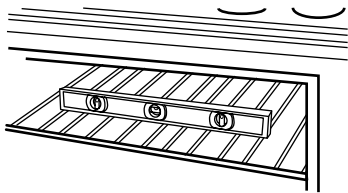
### Verify Anti-Tip Bracket Is Installed and Engaged

1. Verify that the anti-tip bracket is installed and engaged by completing the following steps.
2. If the lower trim is already installed, remove the 2 screws from the lower trim and set the trim aside. See the illustration in the “Install Lower Trim” section.
3. Use a flashlight to look underneath the bottom of the range.
4. Visually check that the rear range foot is inserted into the slot of the anti-tip bracket.



### Level Range

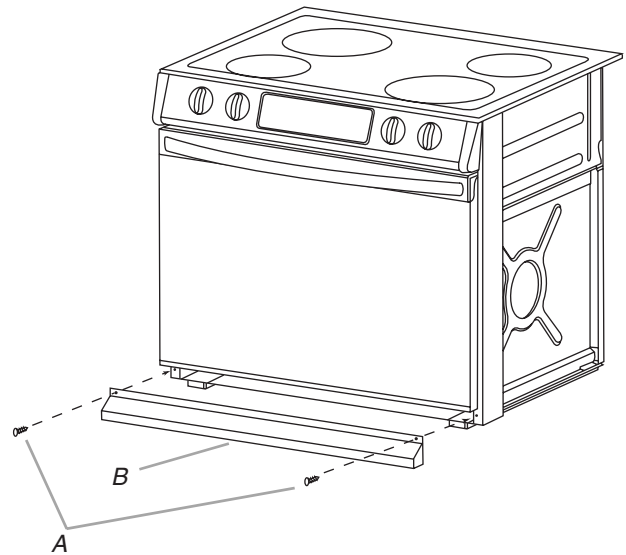
1. Place rack in oven. Place level on rack and check levelness of range, first side to side; then front to back.



2. If range is not level, using two or more people remove range from cutout onto cardboard or hardboard.
3. Use wrench to adjust leveling legs up or down until range is level. Using 2 or more people, lift range back into cutout.
4. Check that rear leveling leg is engaged in anti-tip bracket.

**NOTE:** Range must be level for satisfactory baking conditions.

### Install Lower Trim



A. Screws  
B. Lower trim piece

### Complete Installation

1. Check that all parts are now installed. If there is an extra part, go back through the steps to see which step was skipped.
2. Check that you have all of your tools.
3. Dispose of/recycle all packaging materials.
4. Check that the range is level. See the “Level Range” section.
5. Use a mild solution of liquid household cleaner and warm water to remove waxy residue caused by shipping material. Dry thoroughly with a soft cloth. For more information, read the “Range Care” section of the Use and Care Guide.
6. Read the “Range Use” section in the range Use and Care Guide.
7. Slide range into its final location. Check that the flexible conduit is not bent.
8. Turn power on. Turn on surface cooking elements and oven. See the Use and Care Guide for specific instruction on range operation.

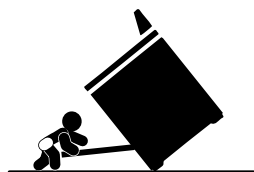
#### If range does not operate, check the following:

- Household fuse is intact and tight; or circuit breaker has not tripped.
- Electrical supply is connected.
- See the “Troubleshooting” section in the Use and Care Guide.

When the range has been on for 5 minutes, check for heat. If range is cold, turn off the range and contact a qualified technician.

## Moving the Range

### **⚠ WARNING**



#### **Tip Over Hazard**

**A child or adult can tip the range and be killed.**

**Install anti-tip bracket to floor or wall per installation instructions.**

**Slide range back so rear range foot is engaged in the slot of the anti-tip bracket.**

**Re-engage anti-tip bracket if range is moved.**

**Do not operate range without anti-tip bracket installed and engaged.**

**Failure to follow these instructions can result in death or serious burns to children and adults.**

When moving range, use 2 or more people to lift range onto cardboard or hardboard to avoid damaging the floor covering.

If removing the range is necessary for cleaning or maintenance:

### **⚠ WARNING**



#### **Electrical Shock Hazard**

**Disconnect power before servicing.**

**Replace all parts and panels before operating.**

**Failure to do so can result in death or electrical shock.**

1. Disconnect power.
2. Disconnect wiring.
3. Slide range forward to complete cleaning or maintenance.
4. Check that the anti-tip bracket is installed and engaged. See the "Verify Anti-Tip Bracket Is Installed and Engaged" section.
5. Check that range is level. See the "Level Range" section.
6. Reinstall the lower trim. See the "Install Lower Trim" section.
7. Reconnect wiring.
8. Reconnect power.